



US00D870729S

(12) **United States Design Patent**
Hokari et al.

(10) **Patent No.:** **US D870,729 S**

(45) **Date of Patent:** **** Dec. 24, 2019**

(54) **FINGER VEIN AUTHENTICATION DEVICE**

(71) Applicant: **Hitachi, Ltd.**, Chiyoda-ku, Tokyo (JP)

(72) Inventors: **Junpei Hokari**, Tokyo (JP); **Takashi Yamamoto**, Tokyo (JP); **Keiji Kitane**, Tokyo (JP)

(73) Assignee: **Hitachi, Ltd.**, Tokyo (JP)

(**) Term: **15 Years**

(21) Appl. No.: **29/638,646**

(22) Filed: **Feb. 28, 2018**

(30) **Foreign Application Priority Data**

Nov. 10, 2017 (JP) 2017-025184

(51) **LOC (12) Cl.** **14-02**

(52) **U.S. Cl.**
USPC **D14/384**

(58) **Field of Classification Search**

USPC D14/356-358, 383-385, 420, 426, 427,
D14/432-439, 447, 453, 454, 217, 253,
D14/299, 307; D13/107, 108, 133, 146,
D13/147, 152, 154, 156, 158, 162, 162.1,
D13/168, 173, 177, 102; 235/441, 451,
235/492, 380, 439, 375; 361/679.31, 600,
361/679.01, 679.02

CPC G07C 9/00103; G07C 9/00039; G07C
9/00904; G06K 5/00; G06K 7/01

See application file for complete search history.

(56) **References Cited**

U.S. PATENT DOCUMENTS

D478,905 S * 8/2003 Byrne D14/384
D487,266 S * 3/2004 Morimiya D14/384

D514,105 S * 1/2006 Ohta D14/384
D516,069 S * 2/2006 Kuroda D14/384
D518,050 S * 3/2006 Wood D14/384
D583,817 S 12/2008 Satou et al.
D584,730 S * 1/2009 Lin D14/383
D701,508 S * 3/2014 Bauermeister D14/384
D801,971 S * 11/2017 Howell D14/384
D801,972 S * 11/2017 Howell D14/384
D817,959 S * 5/2018 Varotto D14/384
D838,271 S * 1/2019 Kaneko D14/384
D855,053 S * 7/2019 Hickman D14/384

* cited by examiner

Primary Examiner — Austin Murphy

(74) *Attorney, Agent, or Firm* — Crowell & Moring LLP

(57) **CLAIM**

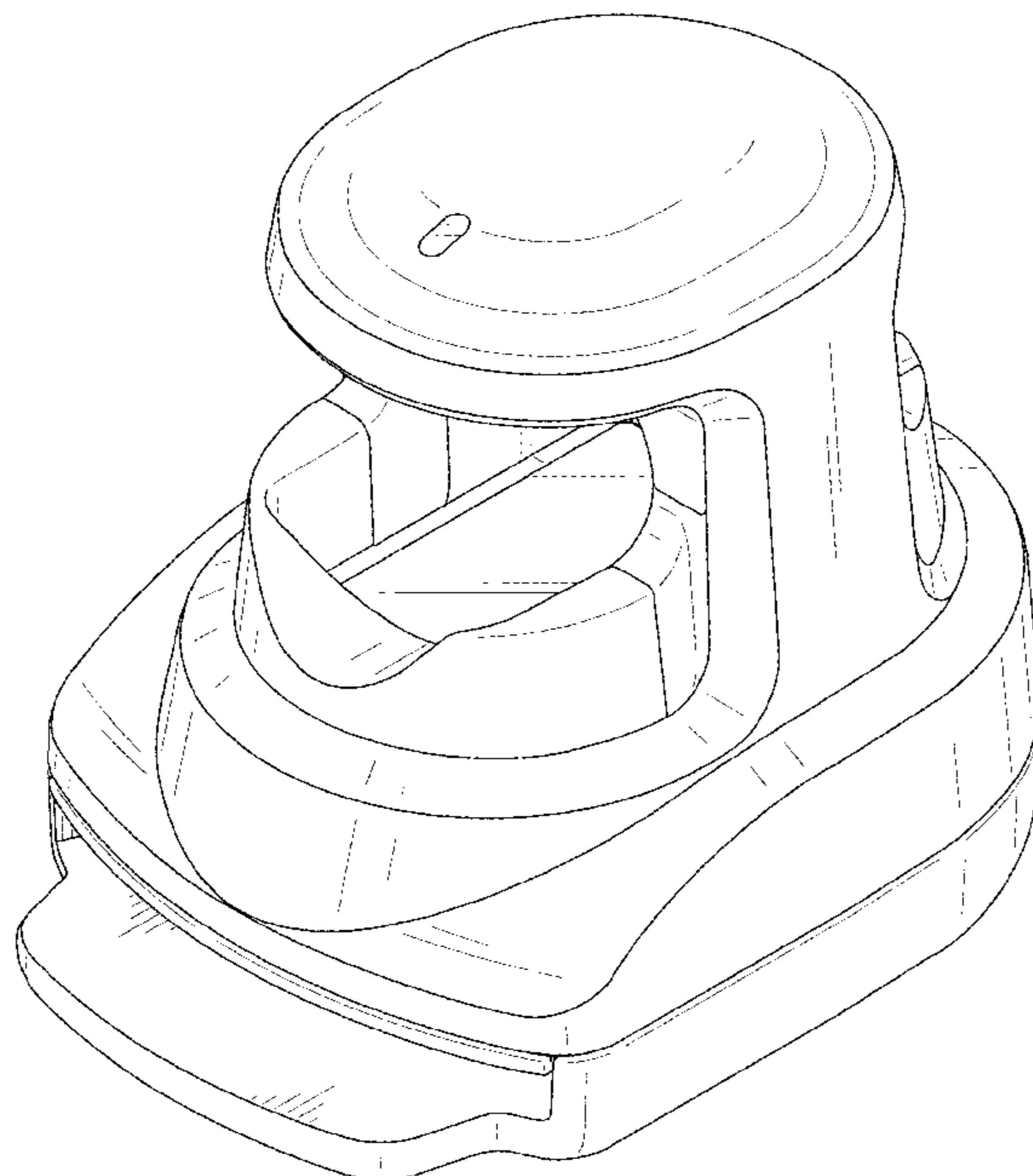
The ornamental design for a finger vein authentication device, as shown and described.

DESCRIPTION

FIG. 1 is a front, top and right side perspective view of a finger vein authentication device according to the design; FIG. 2 is a front elevational view thereof; FIG. 3 is a right side elevational view thereof; FIG. 4 is a left side elevational view thereof; FIG. 5 is a top plan view thereof; FIG. 6 is a bottom plan view thereof; FIG. 7 is a rear elevational view thereof; and, FIG. 8 is a cross-sectional view taken along line 8-8 of FIG. 2.

The broken lines are for illustrative purposes only and form no part of the claimed design.

1 Claim, 8 Drawing Sheets



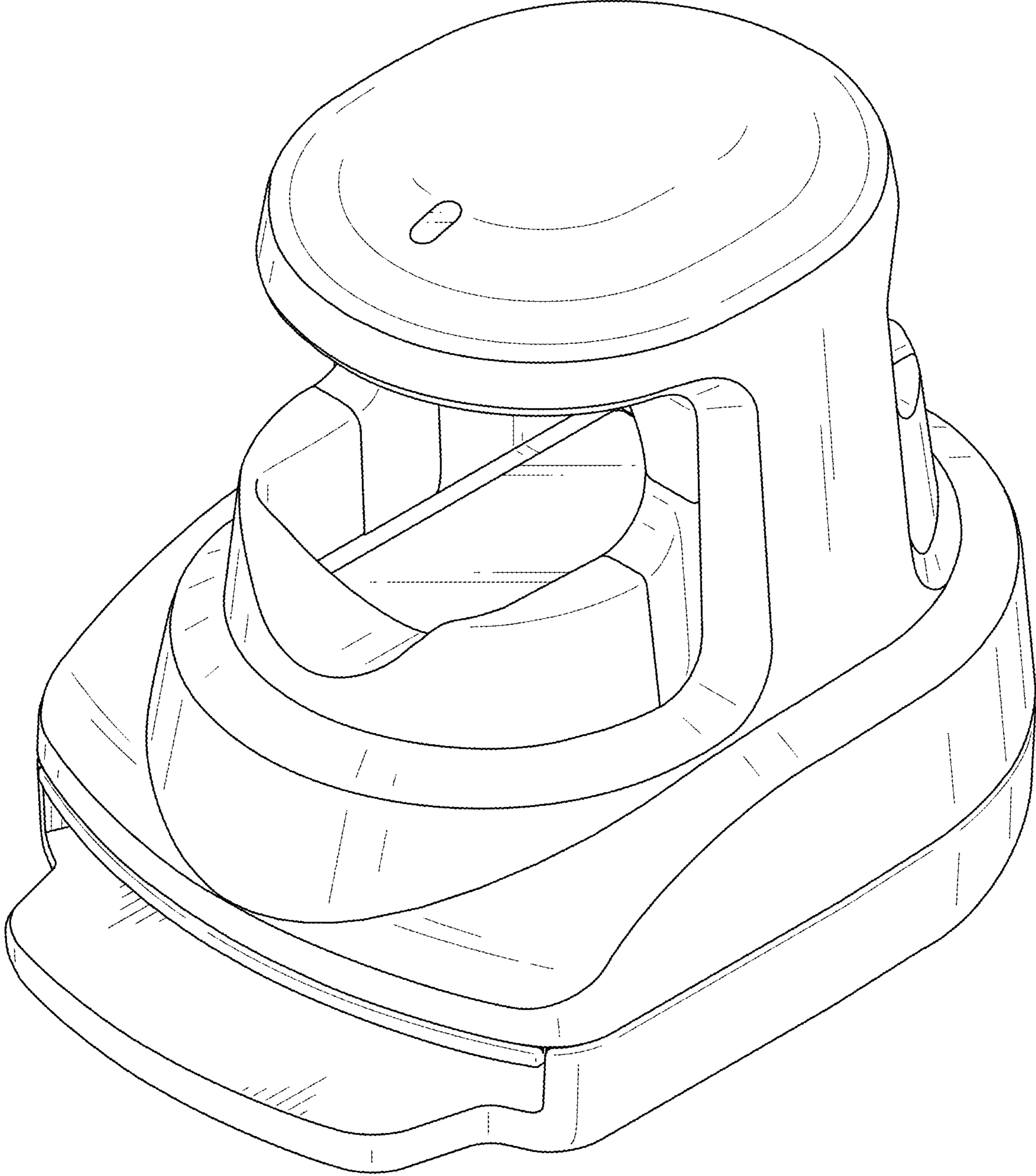
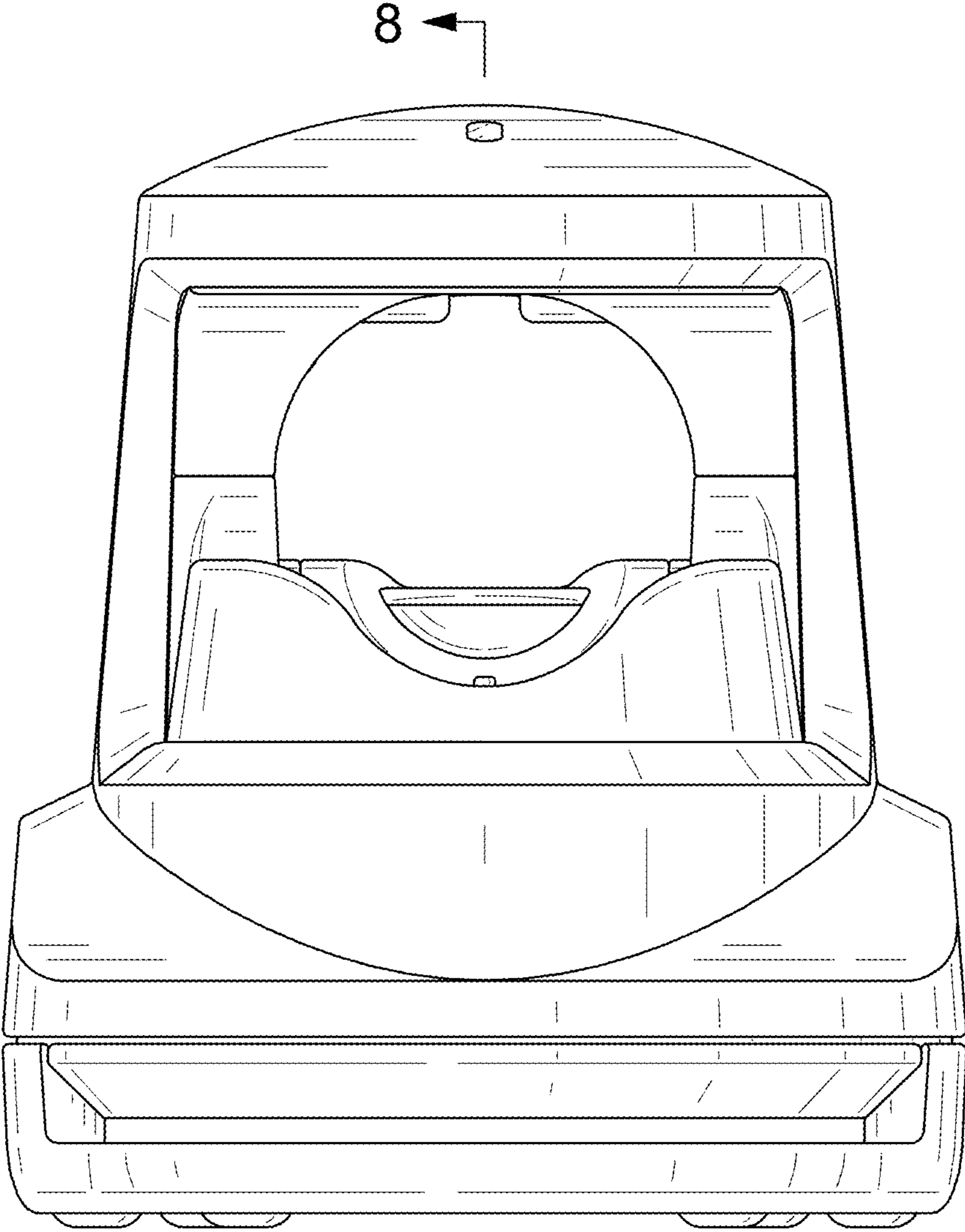


FIG. 1



8
FIG. 2

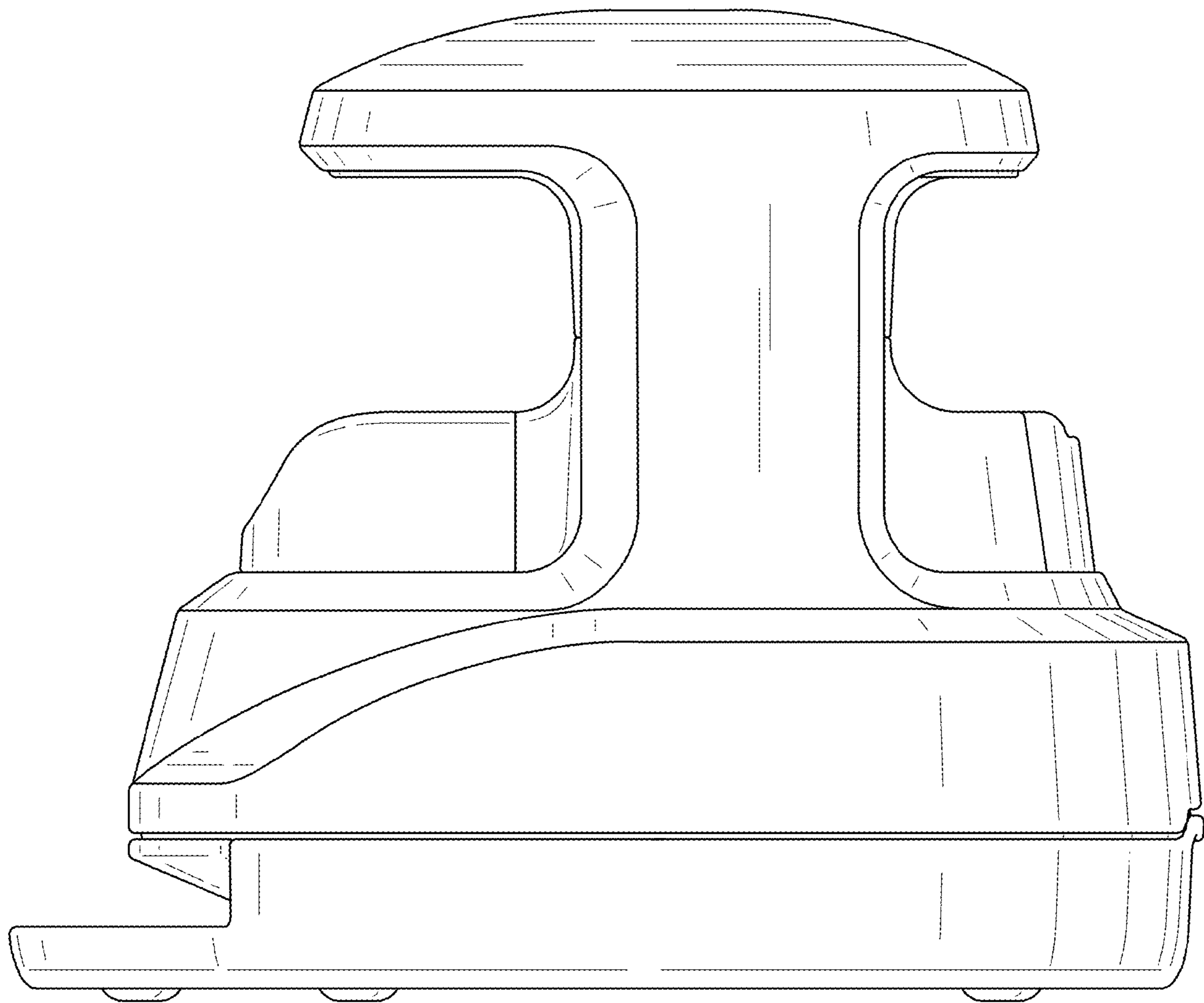


FIG. 3

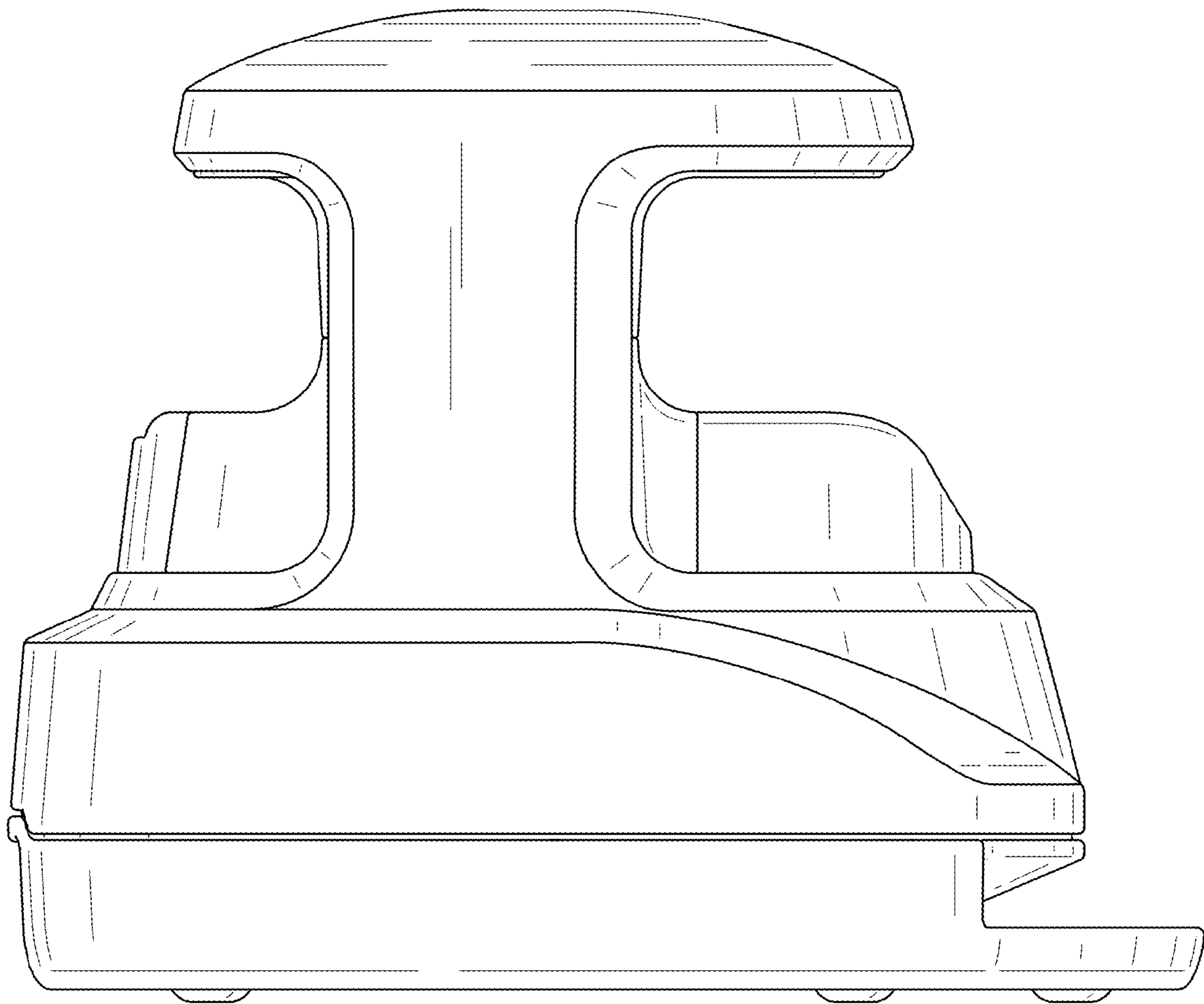


FIG. 4

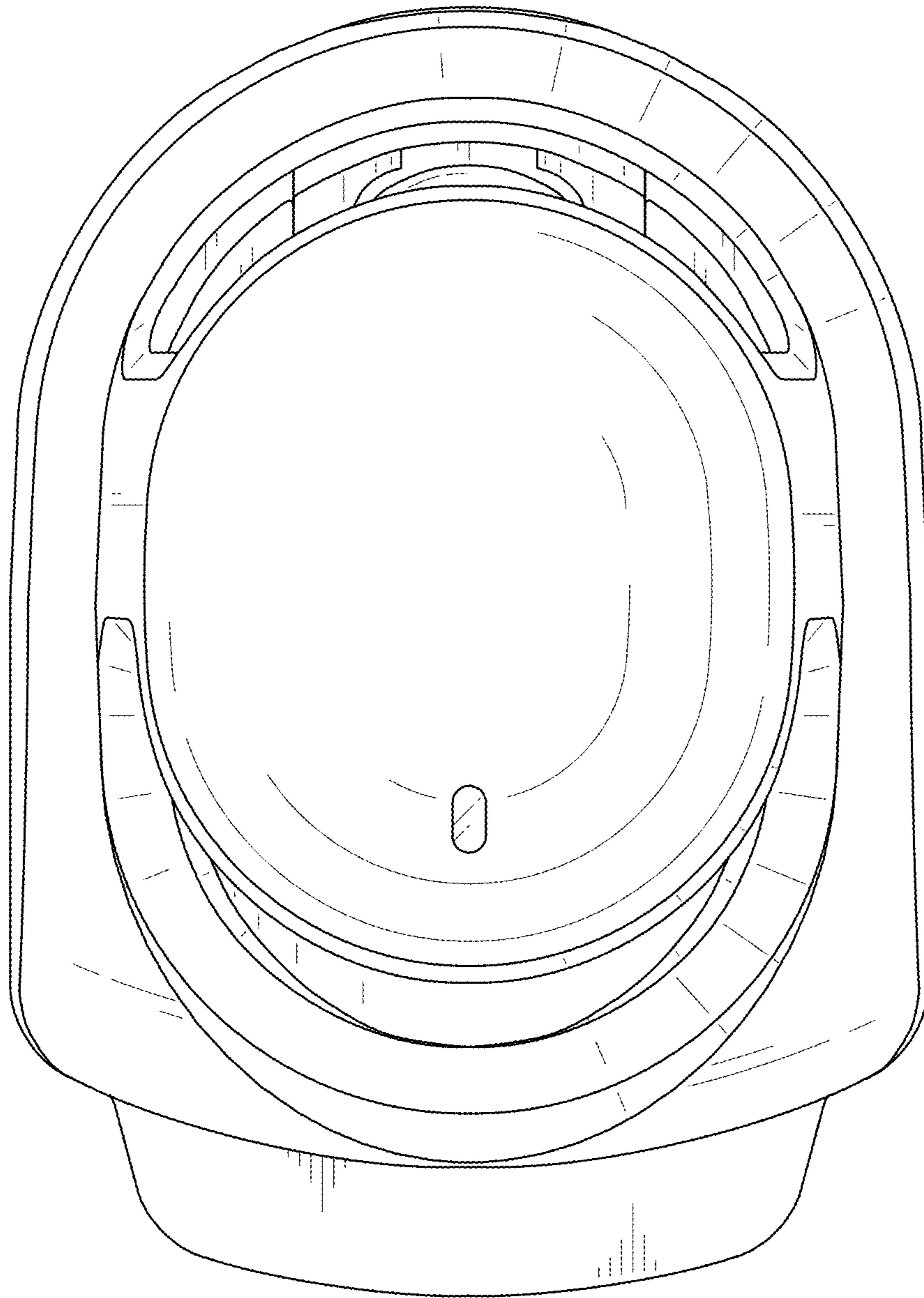


FIG. 5

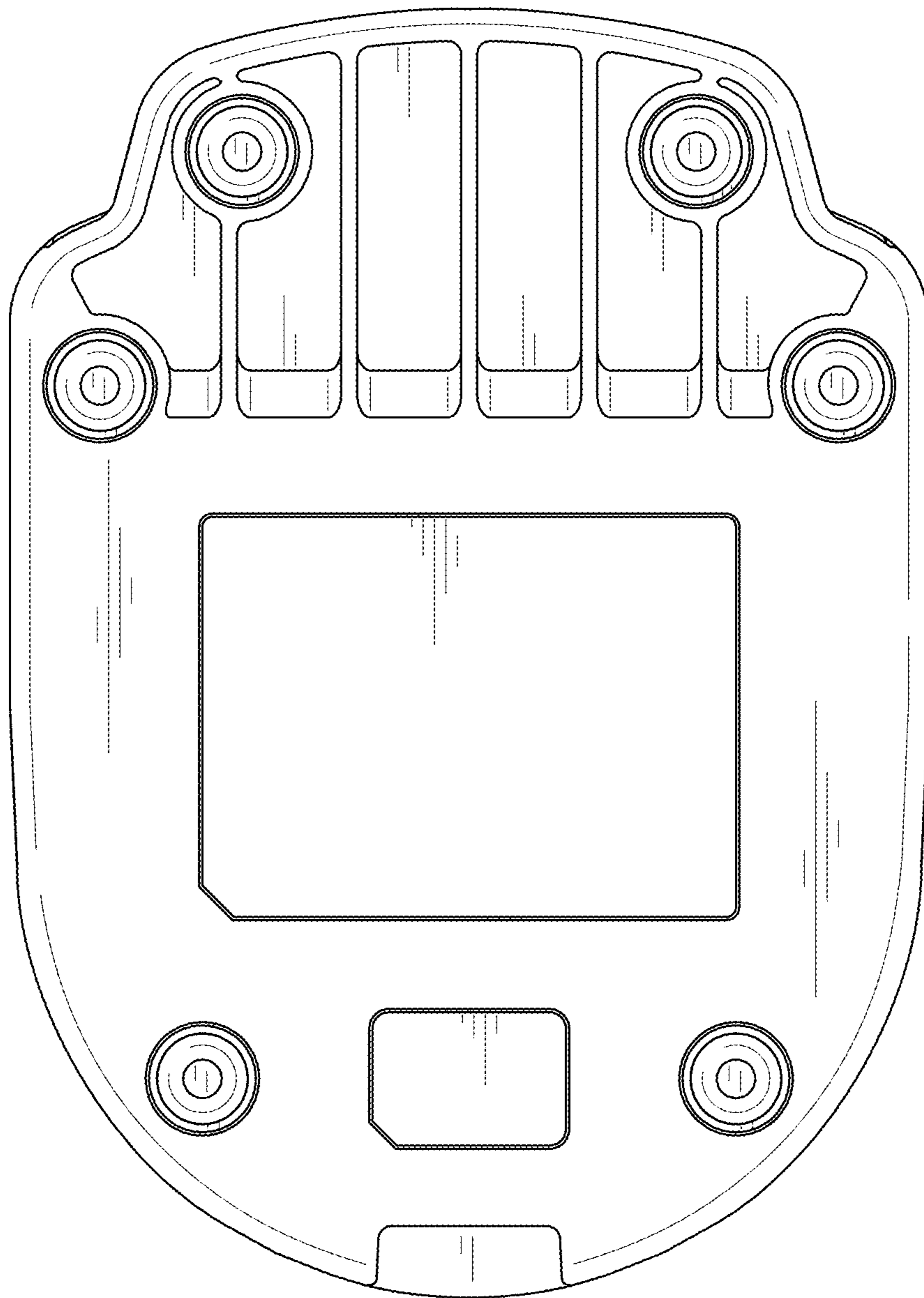


FIG. 6

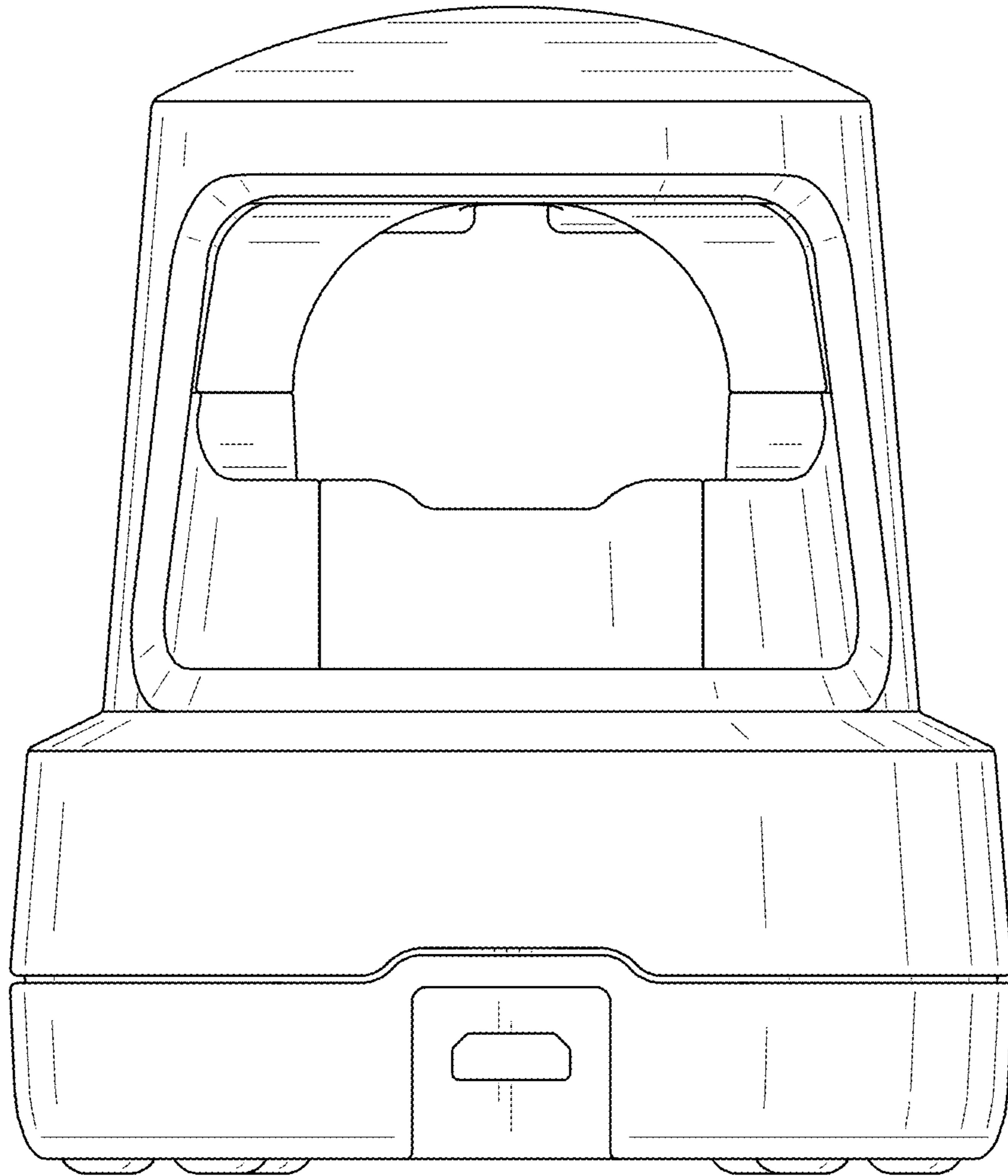


FIG. 7

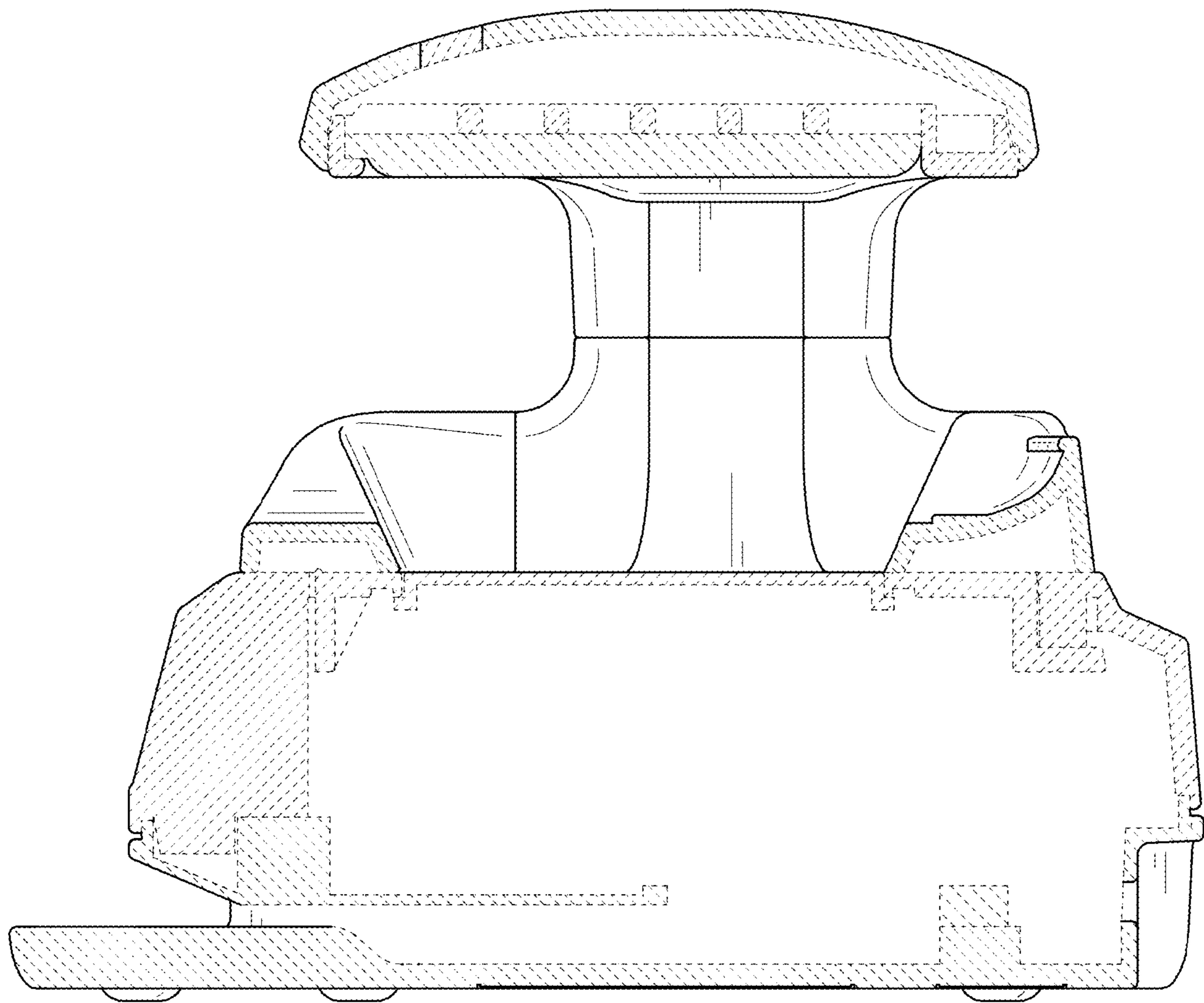


FIG. 8