



US00D870726S

(12) **United States Design Patent** (10) **Patent No.:** **US D870,726 S**
Schneider et al. (45) **Date of Patent:** **** Dec. 24, 2019**

(54) **OVER-THE-AIR AND/OR STREAMING BOX**

(71) Applicant: **Antennas Direct, Inc.**, Ellisville, MO (US)

(72) Inventors: **Richard E. Schneider**, Wildwood, MO (US); **Corey Feit**, St. Louis, MO (US); **Corry Blackburn**, St. Louis, MO (US)

(73) Assignee: **Antennas Direct, Inc.**, Ellisville, MO (US)

(**) Term: **15 Years**

(21) Appl. No.: **29/663,833**

(22) Filed: **Sep. 19, 2018**

Related U.S. Application Data

(62) Division of application No. 29/574,334, filed on Aug. 15, 2016, now Pat. No. Des. 829,207, which is a division of application No. 29/489,120, filed on Apr. 25, 2014, now Pat. No. Des. 763,851.

(51) **LOC (12) Cl.** **14-02**

(52) **U.S. Cl.**
USPC **D14/358**; D14/238

(58) **Field of Classification Search**
USPC D14/300-302, 314, 348-370, 383-385, D14/435, 496, 125, 135, 155, 240-242, D14/299, 238; D3/273; D9/432; D10/65, 75, 78; D13/103, 119, 162, 184, D13/199

CPC H04L 12/00; H03K 17/00; H04W 88/00; H04W 88/005; H04W 88/02; H04W 88/08; H04W 88/085; H04W 88/10; H04W 88/12; H04W 88/14; H04B 1/38
See application file for complete search history.

(56) **References Cited**

U.S. PATENT DOCUMENTS

5,778,085 A * 7/1998 Sasaki H04M 1/20 379/202.01
D420,362 S 2/2000 Pedraza et al.

D472,235 S 3/2003 Chen
D480,390 S 10/2003 Miao et al.
D485,830 S * 1/2004 Chen D14/240
D490,424 S 5/2004 Yamanashi
D492,946 S 7/2004 Loiske et al.
D494,156 S 8/2004 Chen et al.
D596,177 S * 7/2009 Steele D14/358
D598,433 S 8/2009 Schneider et al.
D598,434 S 8/2009 Schneider et al.
7,609,222 B2 10/2009 Schneider et al.

(Continued)

OTHER PUBLICATIONS

WIDTV1 Mobile TV Receiver; http://www.voxxintlcorp.com/docs/common/WIDTV1/WIDTV1_QS.pdf; Nov. 25, 2013; 12 pages.

(Continued)

Primary Examiner — John Windmuller

(74) *Attorney, Agent, or Firm* — Harness, Dickey & Pierce, P.L.C.; Anthony G. Fussner

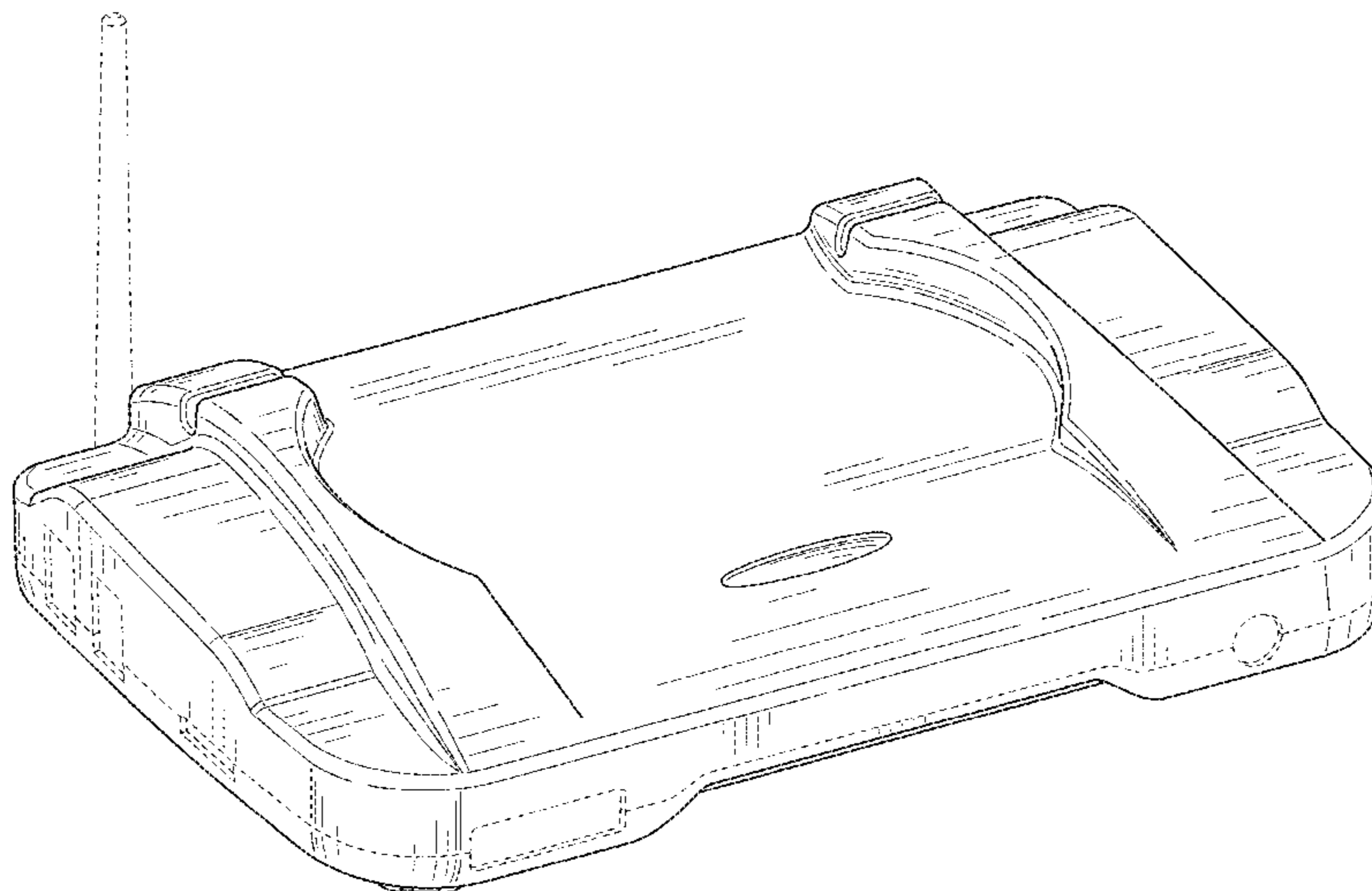
(57) **CLAIM**

The ornamental design for an over-the-air and/or streaming box, as shown and described.

DESCRIPTION

FIG. 1 is a perspective view of an over-the-air and/or streaming box, showing our new design;
FIG. 2 is a front view thereof;
FIG. 3 is a back view thereof;
FIG. 4 is a right side view thereof;
FIG. 5 is a left side view thereof; and,
FIG. 6 is a top view thereof.
The broken lines in the figures depict portions of the over-the-air and/or streaming box that form no part of the claimed design.

1 Claim, 4 Drawing Sheets



(56)

References Cited

U.S. PATENT DOCUMENTS

D604,276	S	11/2009	Schneider et al.	
7,839,347	B2	11/2010	Schneider et al.	
7,990,335	B2	8/2011	Schneider et al.	
D666,178	S	8/2012	Schneider et al.	
D671,534	S	11/2012	Huang	
8,368,607	B2	2/2013	Schneider et al.	
D677,635	S *	3/2013	Ling	D13/177
D680,534	S	4/2013	Tzeng	
D686,207	S	7/2013	Lewis et al.	
D689,483	S	9/2013	Wu et al.	
D731,470	S	6/2015	Terasawa	
D753,639	S *	4/2016	Marzynski	D14/240
D784,970	S *	4/2017	MacManus	D14/240
D816,070	S *	4/2018	Marzynski	D14/240
D829,207	S	9/2018	Schneider et al.	
2013/0162487	A1	6/2013	Schneider et al.	

OTHER PUBLICATIONS

Antenna Compatible DVR/TiVo; <http://www.tivo.com/discover/antenna> Jul. 2013; 2 pages.

Channel Master CM 7400 HD Antenna DVR with no subscription fees; http://www.channelmasterstore.com/HD_DVR_with_no_subscription_p/cm7400.htm; Copyright 2014; 6 pages.

* cited by examiner

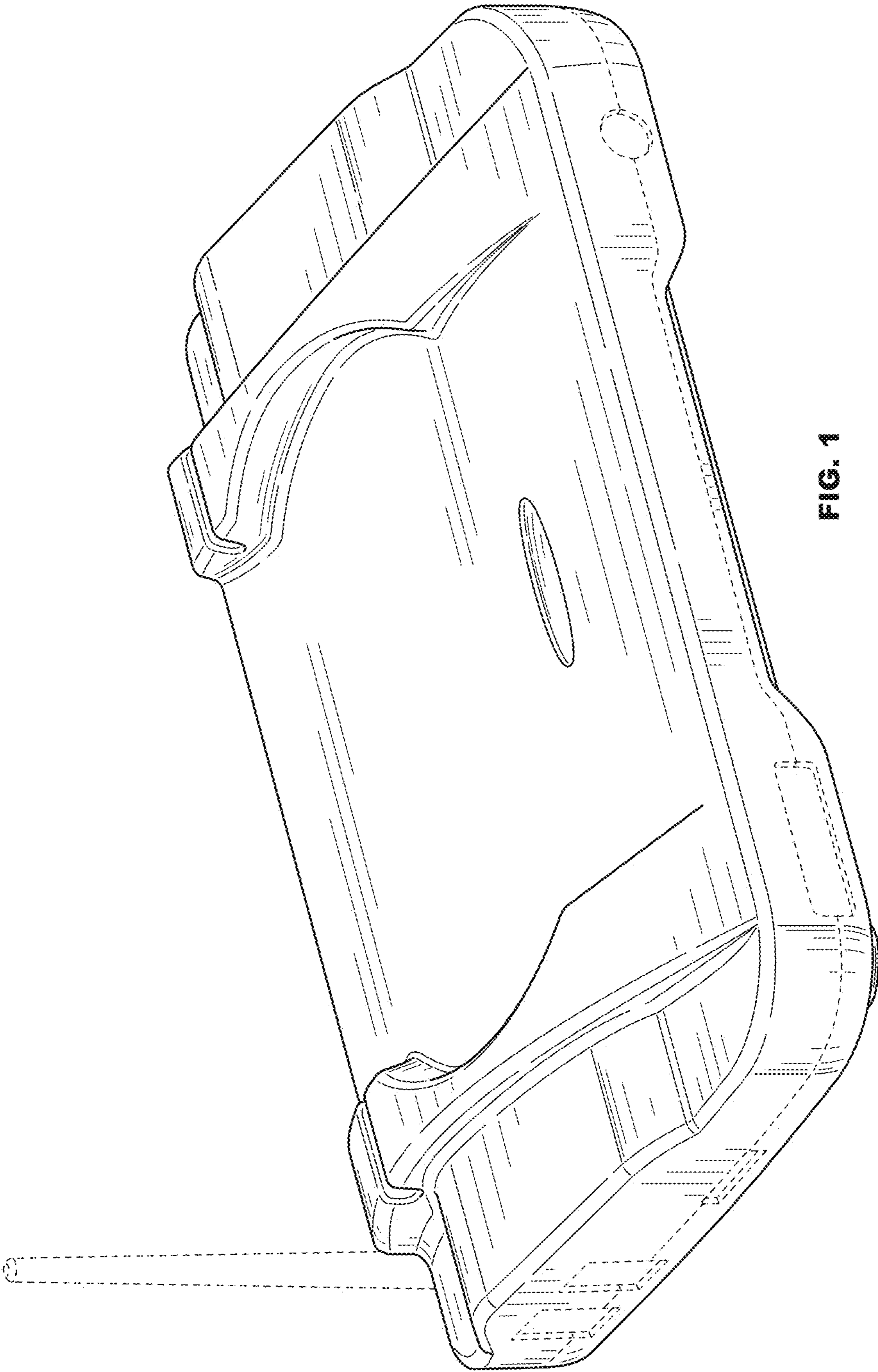


FIG. 1

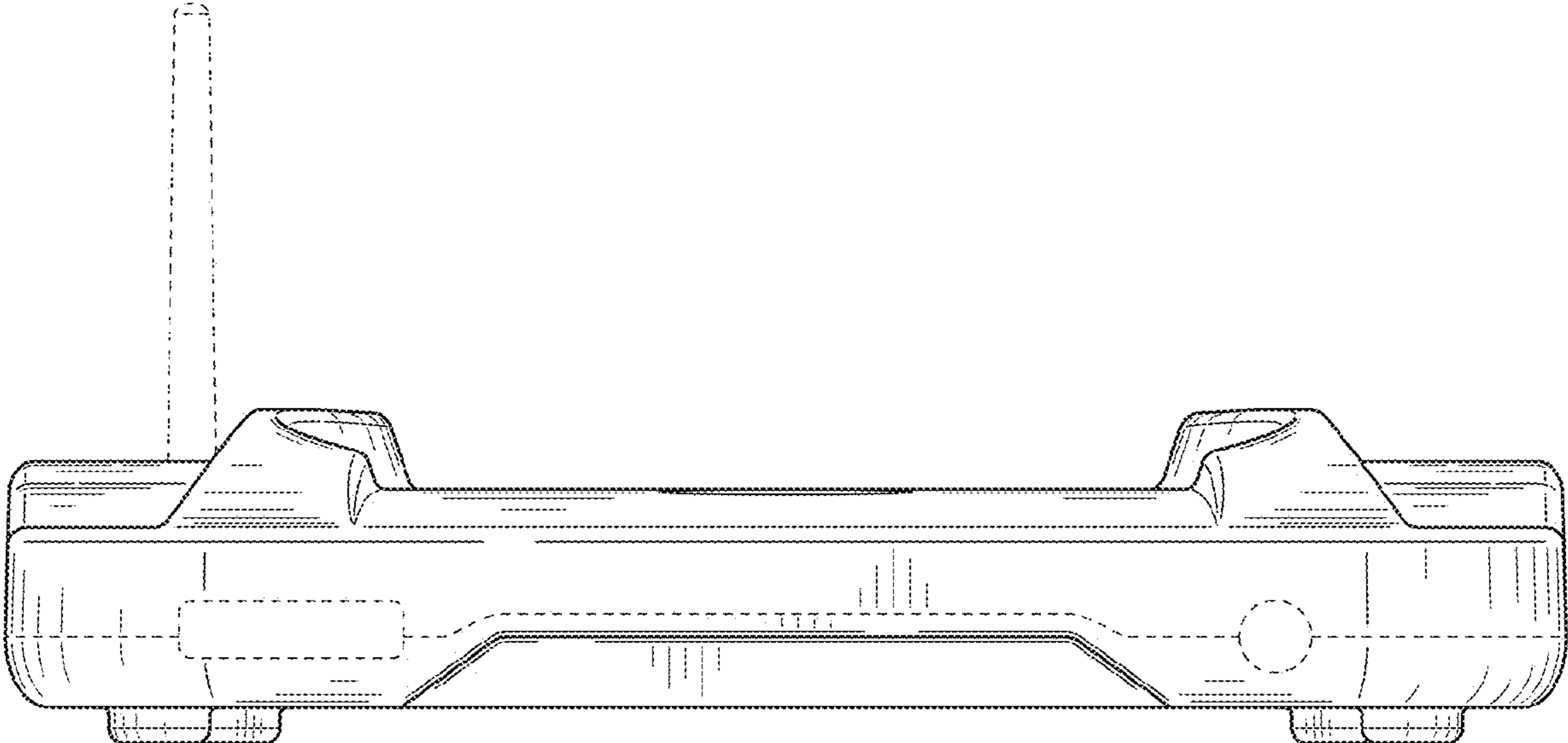


FIG. 2

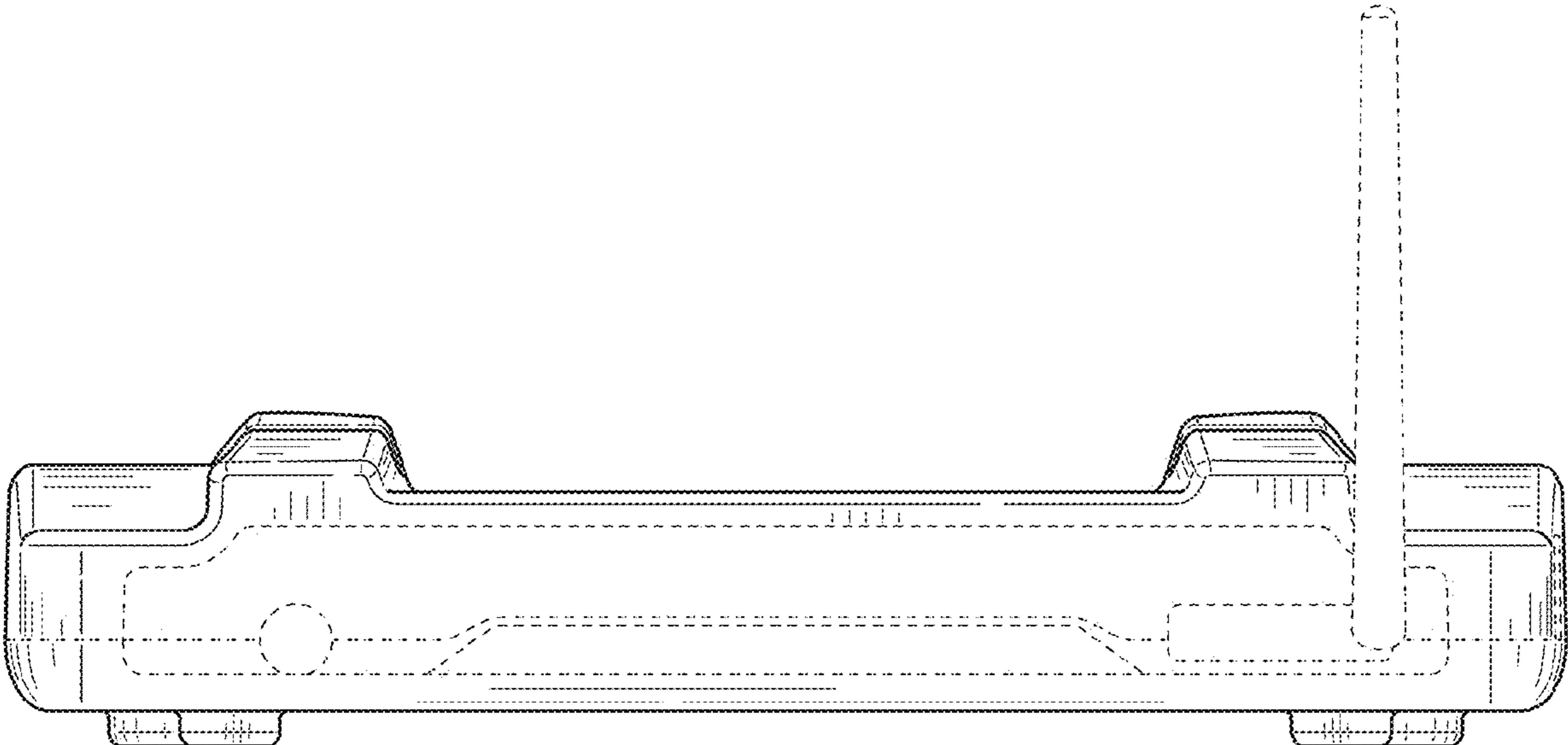


FIG. 3.

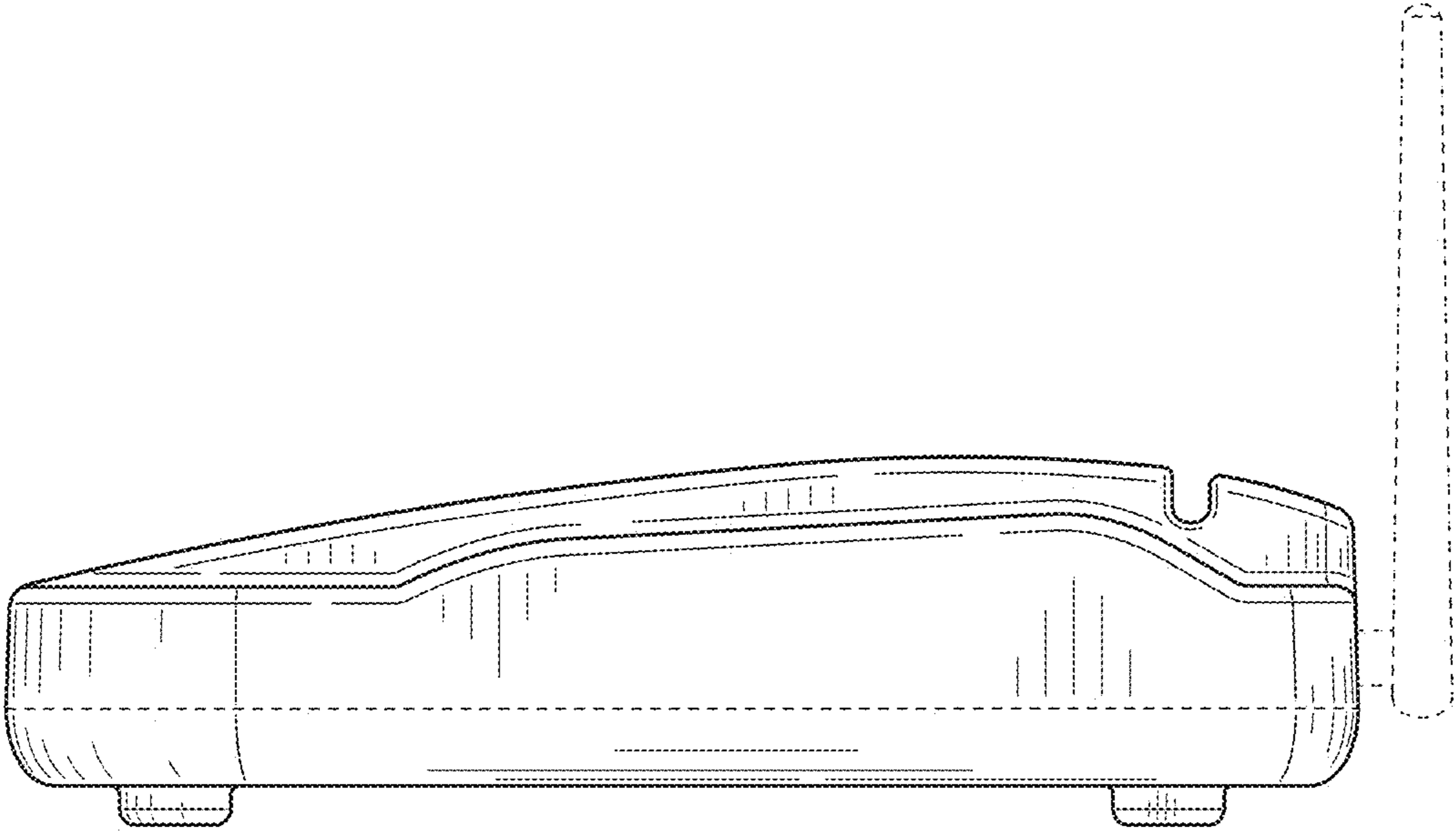


FIG. 4

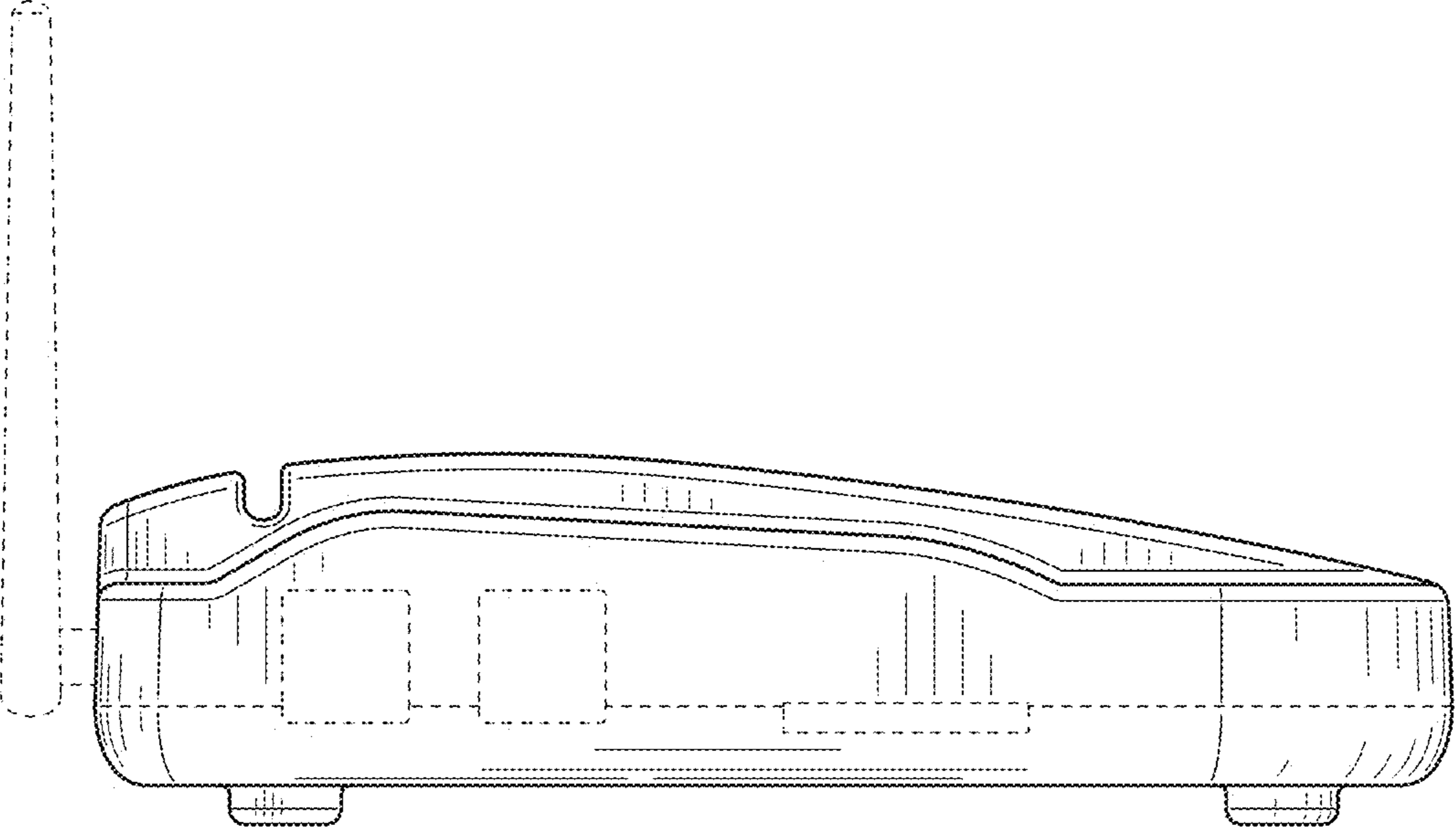


FIG. 5

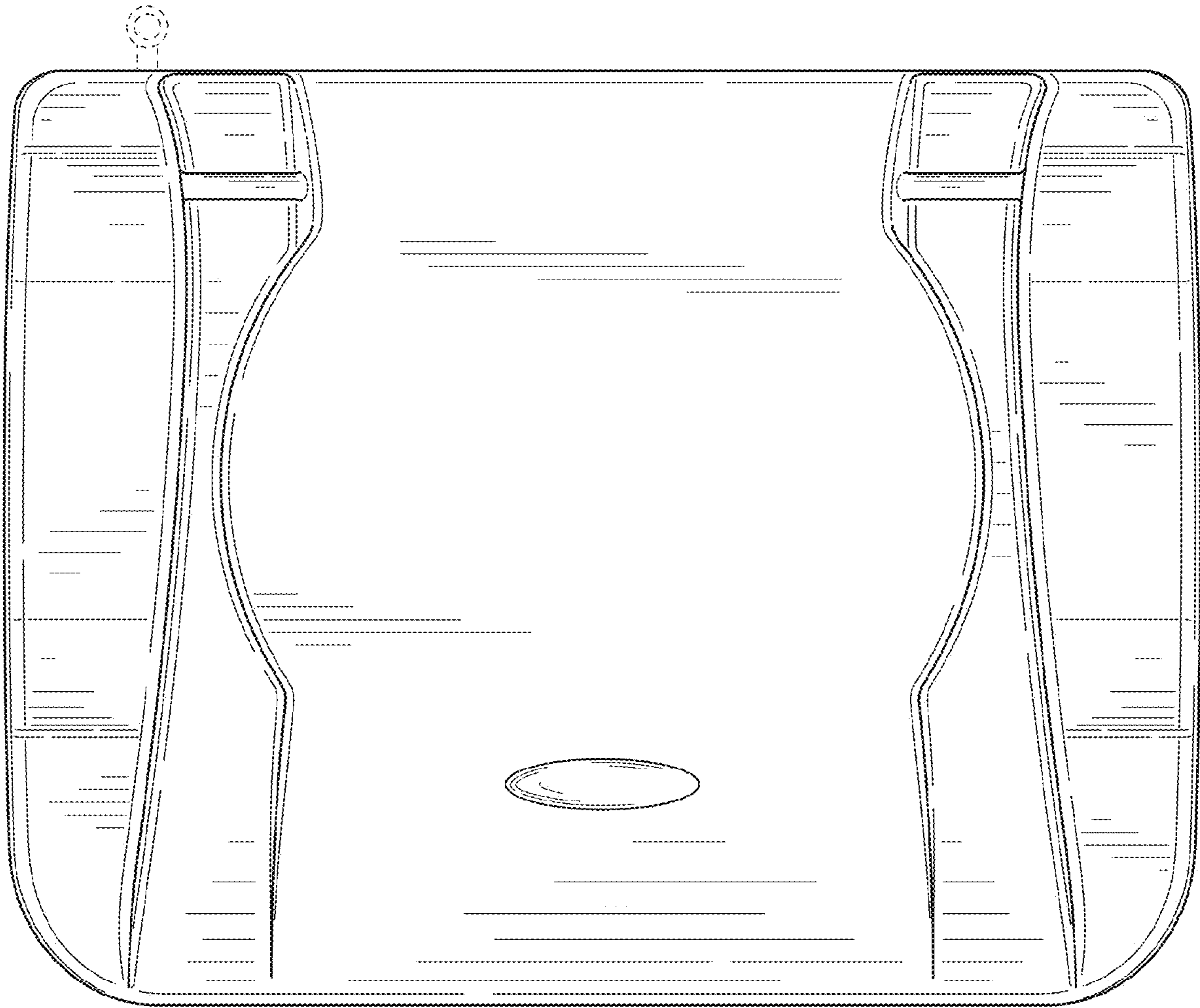


FIG. 6