



US00D870721S

(12) **United States Design Patent**
Vasić

(10) **Patent No.:** **US D870,721 S**

(45) **Date of Patent:** **** Dec. 24, 2019**

- (54) **KIOSK**
- (71) Applicant: **Easygoing (CY) Limited**, Nicosia (CY)
- (72) Inventor: **Saša Vasić**, Nicosia (CY)
- (73) Assignee: **EASYGOING (CY) LIMITED**,
Nicosia (CY)
- (**) Term: **15 Years**

D675,609 S *	2/2013	Ono	D14/307
D696,658 S *	12/2013	Winston	D14/307
D732,522 S *	6/2015	Chadbourne	D14/307
D742,870 S *	11/2015	Berini	G06F 21/32
				D14/307
D774,029 S *	12/2016	Kim	D14/307
D782,467 S *	3/2017	Bladwell	D14/307
D783,596 S *	4/2017	Payne	D14/307
D815,628 S *	4/2018	Berini	D14/307
D818,464 S *	5/2018	Berini	D14/307
D854,539 S *	7/2019	Szeredi	D14/307

- (21) Appl. No.: **29/637,884**
- (22) Filed: **Feb. 22, 2018**
- (51) **LOC (12) Cl.** **14-02**
- (52) **U.S. Cl.**
USPC **D14/307**
- (58) **Field of Classification Search**
USPC D14/302-307, 900-902; D13/163;
D20/10; D21/332, 325, 369, 370;
D99/28; D6/397, 466; 194/206;
361/679.01, 679.02, 679.04, 679.21,
361/679.57, 725
CPC G06Q 20/18; G06Q 20/10; G06Q 20/123;
G06Q 20/20; G06Q 30/02; G06Q 30/06;
A47F 9/047
See application file for complete search history.

* cited by examiner

Primary Examiner — Austin Murphy
(74) *Attorney, Agent, or Firm* — Michael Best & Friedrich LLP

(57) **CLAIM**

I claim the ornamental design for a kiosk, as shown and described.

DESCRIPTION

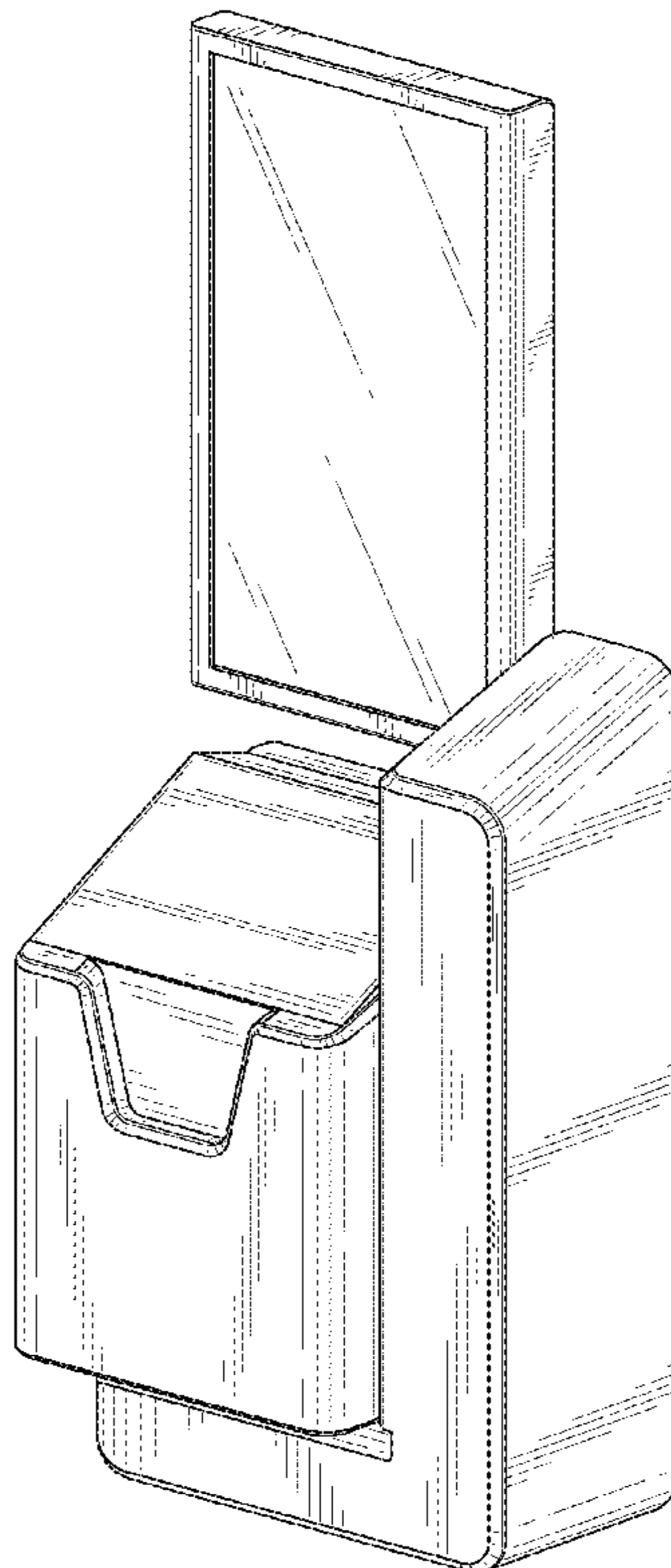
FIG. 1 is a perspective view of a kiosk embodying the new design;
 FIG. 2 is an elevation view of a front side of the kiosk of FIG. 1;
 FIG. 3 is an elevation view of a rear side of the kiosk of FIG. 1;
 FIG. 4 is a right side view of the kiosk of FIG. 1;
 FIG. 5 is a left side view of the kiosk of FIG. 1;
 FIG. 6 is a top view of the kiosk of FIG. 1; and,
 FIG. 7 is a bottom view of the kiosk of FIG. 1.

1 Claim, 5 Drawing Sheets

(56) **References Cited**

U.S. PATENT DOCUMENTS

D467,561 S *	12/2002	Kosciolek	D14/129
D637,595 S *	5/2011	Mizusugi	D14/303
D671,535 S *	11/2012	Terashima	D14/307



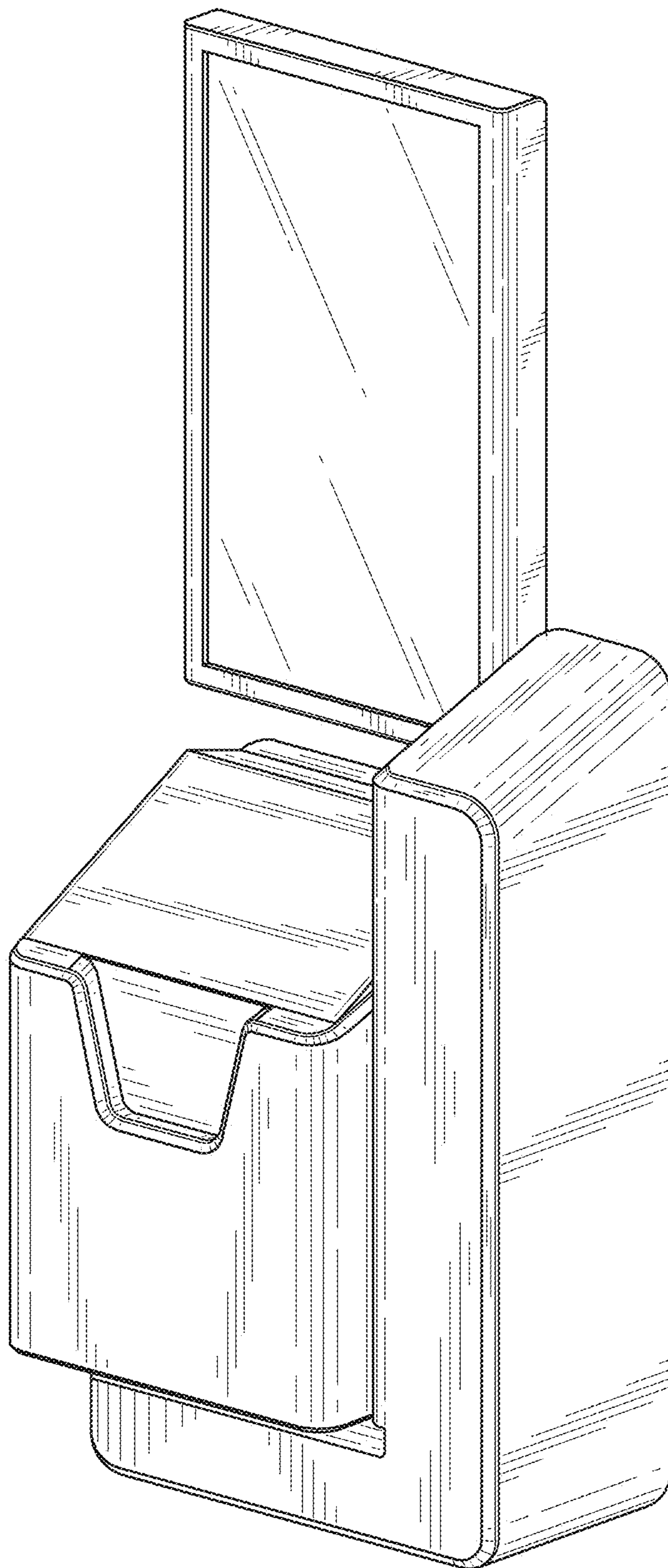


FIG. 1

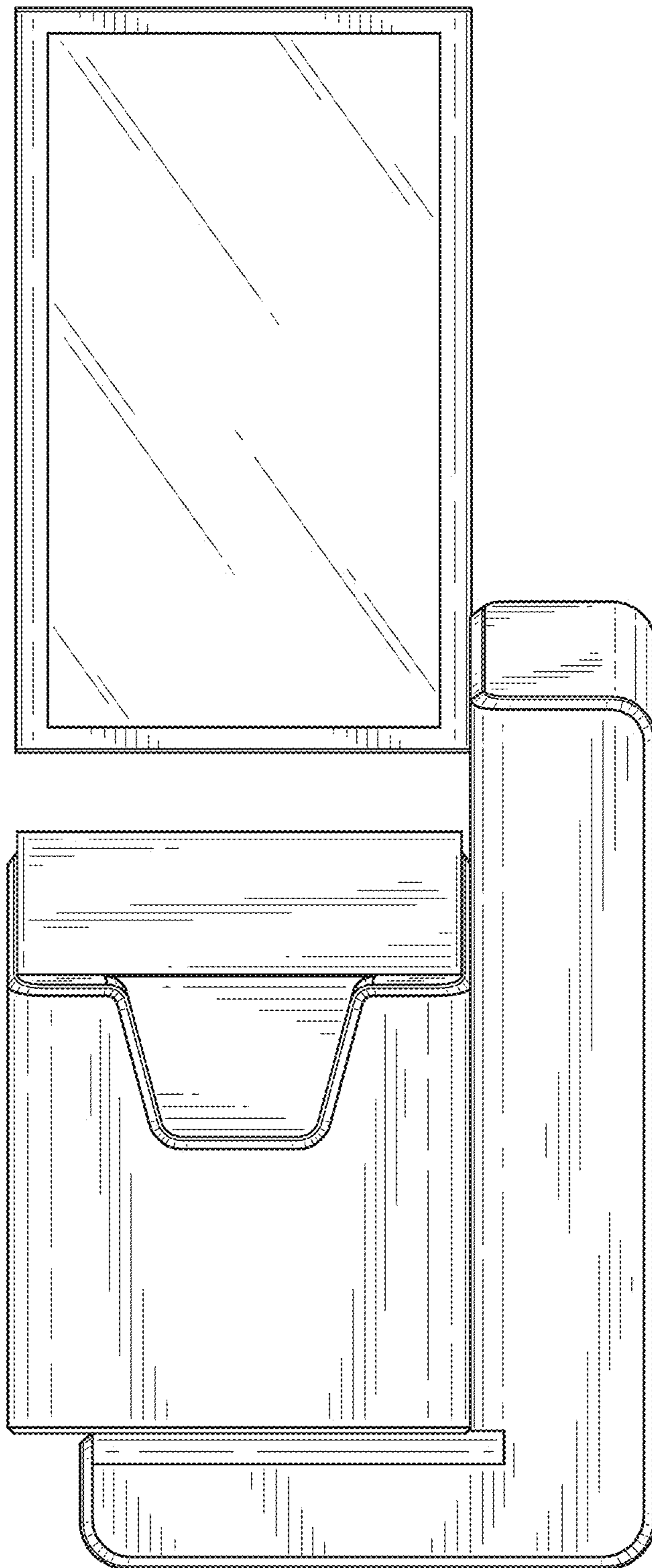


FIG. 2

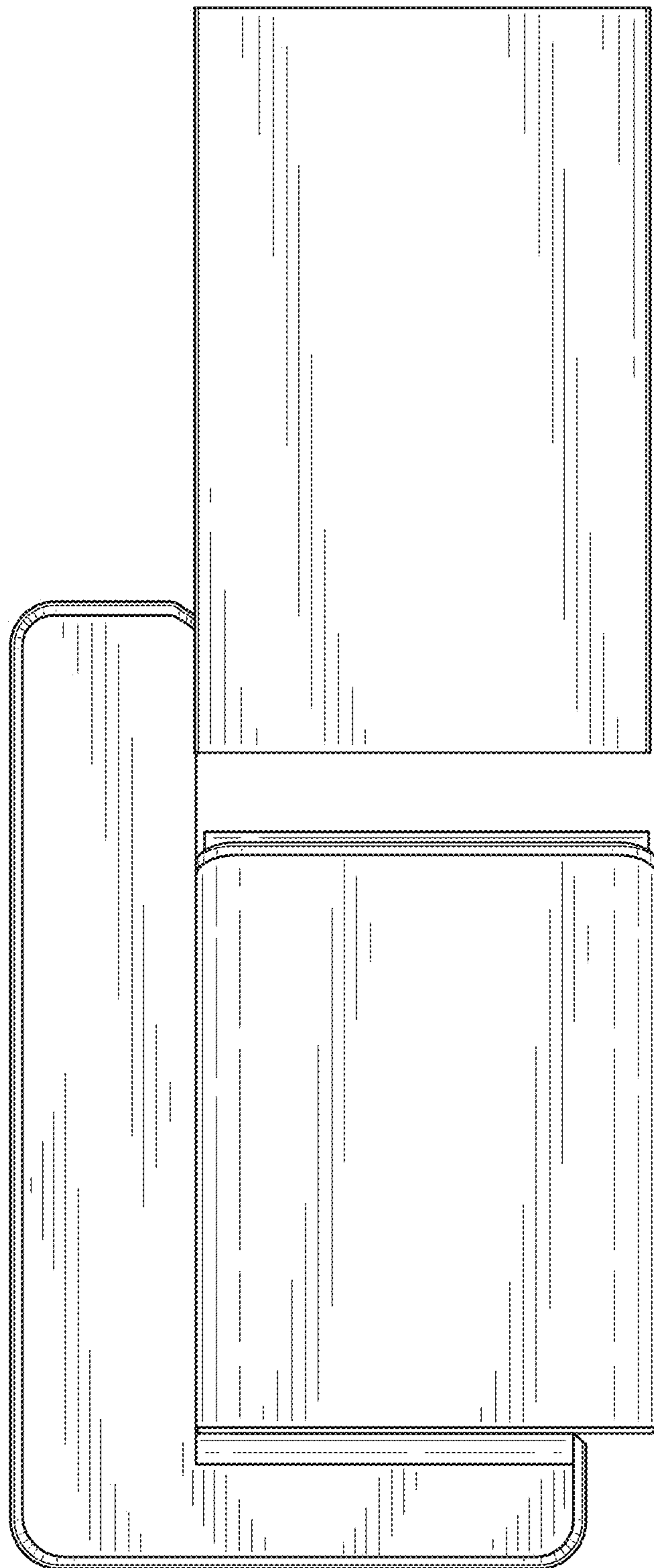


FIG. 3

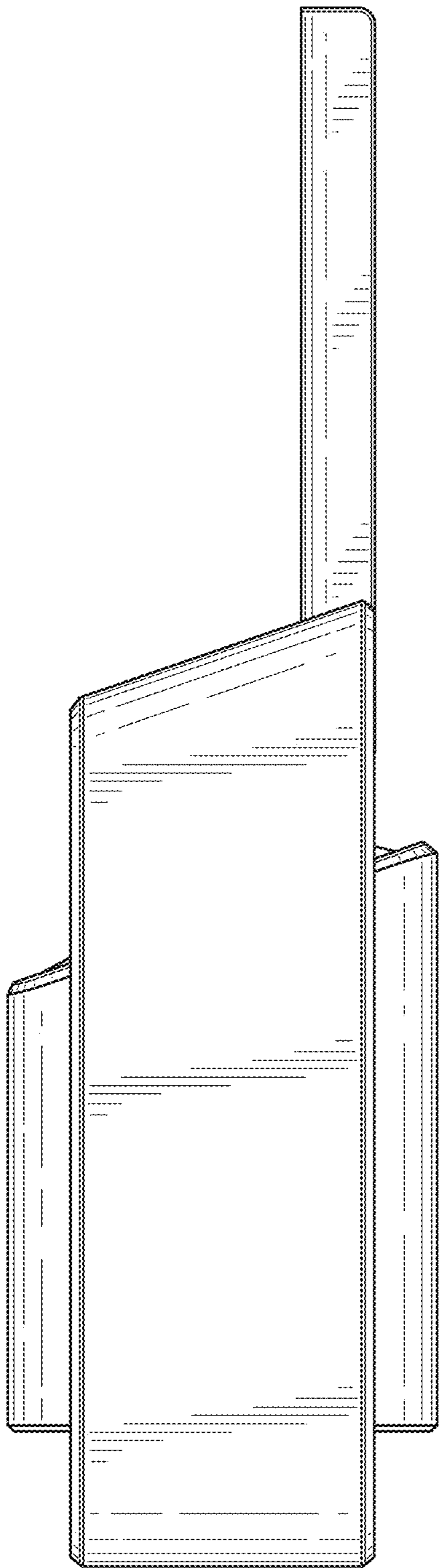


FIG. 4

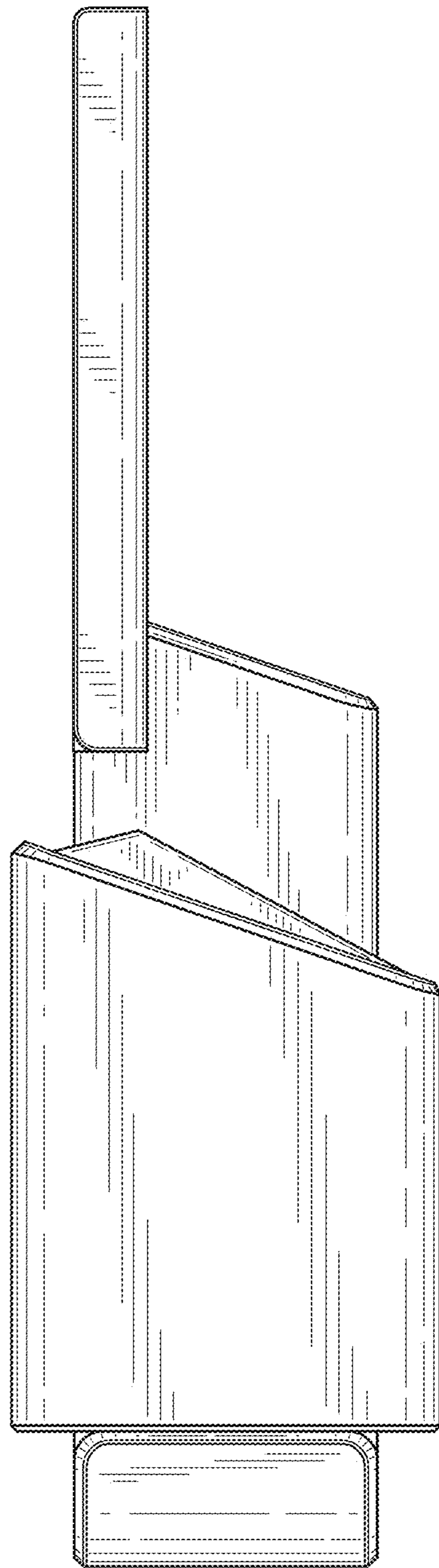


FIG. 5

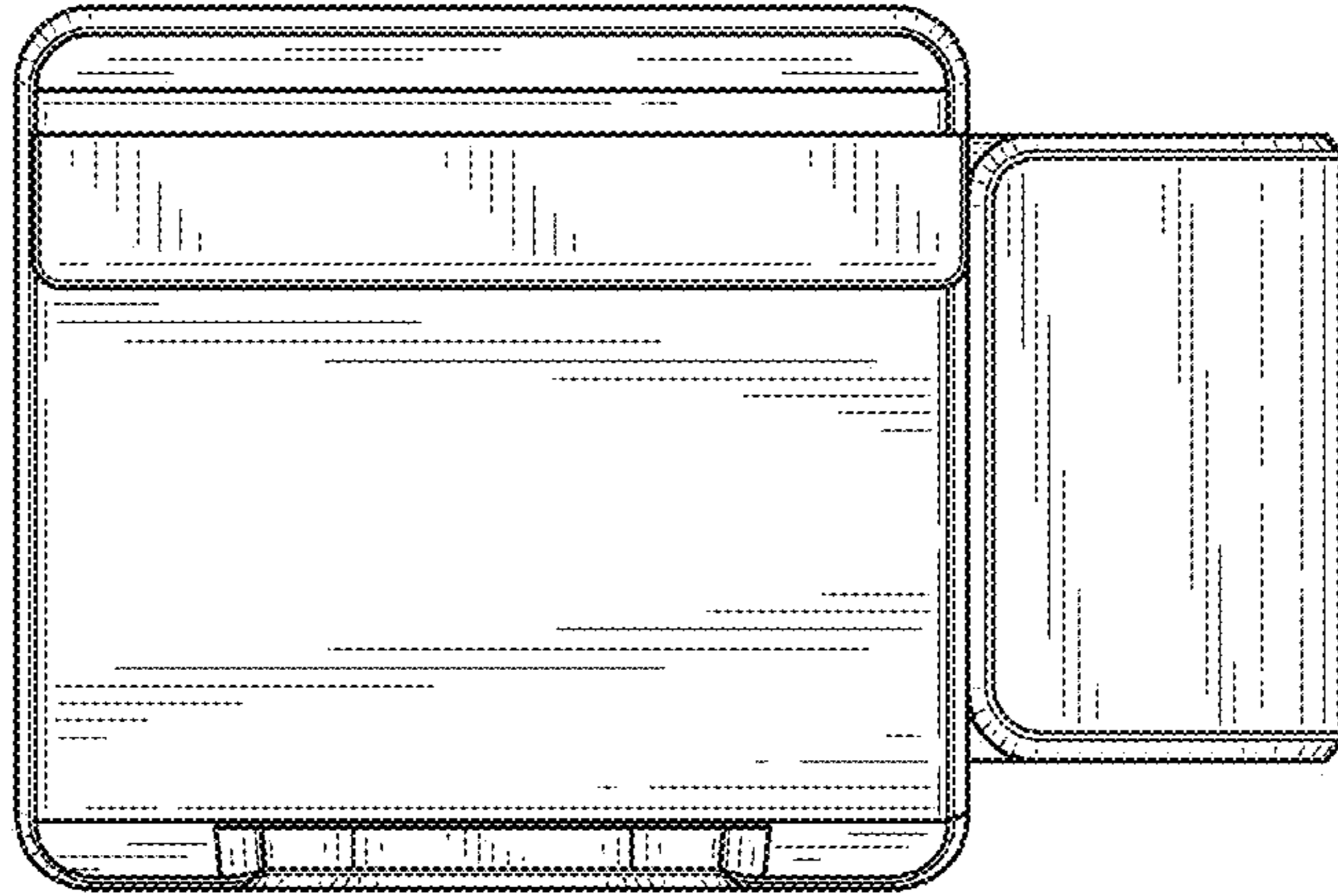


FIG. 6

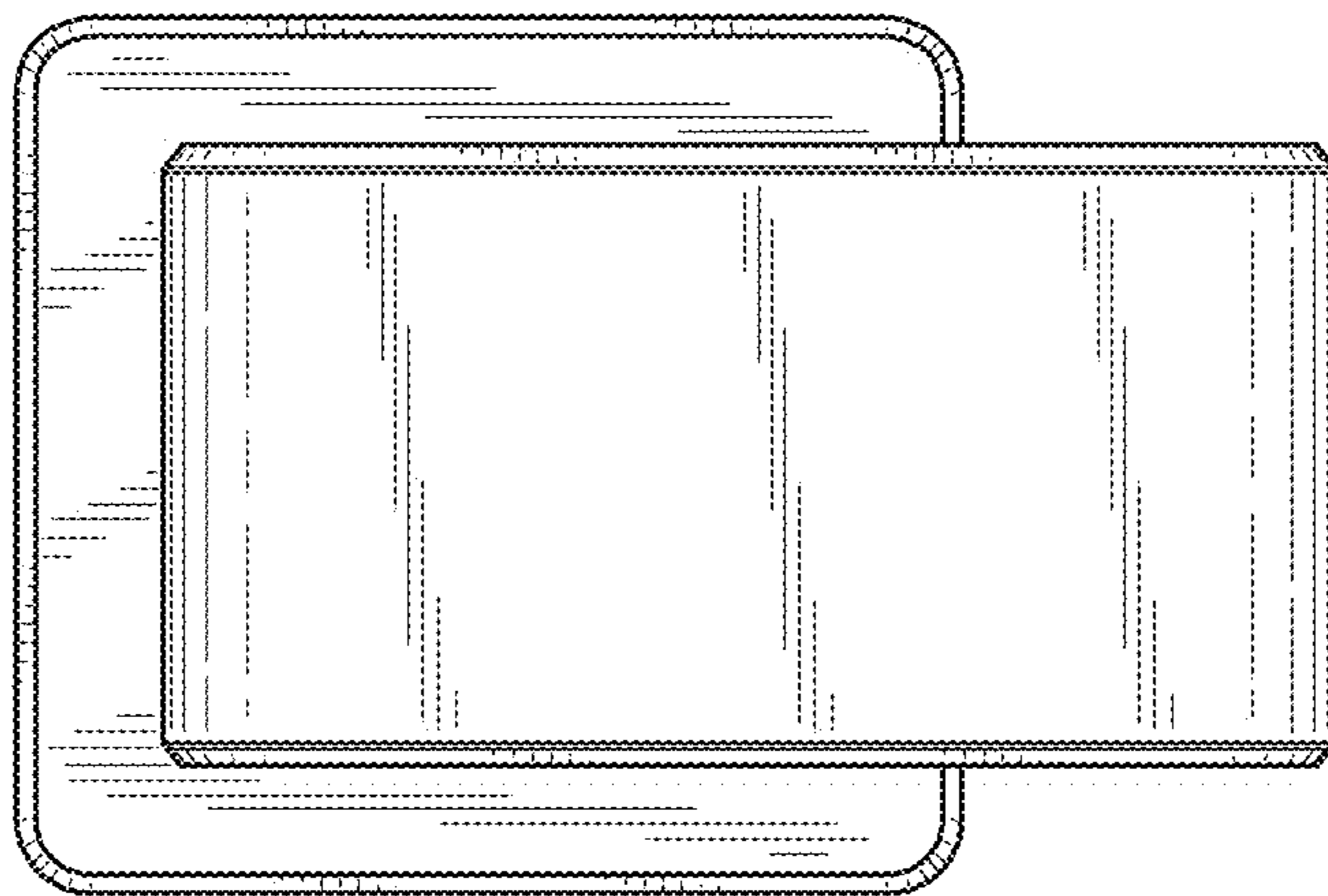


FIG. 7