



US00D870719S

(12) **United States Design Patent**
Peters et al.

(10) **Patent No.:** **US D870,719 S**
(45) **Date of Patent:** **** Dec. 24, 2019**

(54) **ADHESIVE BASE**

- (71) Applicant: **ANNEX PRODUCTS PTY. LTD.**,
Pahran (AU)
- (72) Inventors: **Christopher Peters**, Pahran (AU);
Craig Stevens, Northcote (AU)
- (73) Assignee: **ANNEX PRODUCTS PTY. LTD.**,
Pahran (AU)

(**) Term: **15 Years**

(21) Appl. No.: **29/648,639**

(22) Filed: **May 23, 2018**

(51) **LOC (12) Cl.** **14-99**

(52) **U.S. Cl.**
USPC **D14/253**; D24/189

(58) **Field of Classification Search**
USPC D14/250–254, 217, 224, 224.1, 238.1,
D14/299, 434, 447, 451–452, 483;
D12/400, 415–426, 426.1, 114, 223;
D16/242, 245; D10/74; D3/218;
D13/107, 108; D8/352, 354, 386, 399;
D24/168, 187, 189, 190
CPC B60R 11/00; B60R 11/02; B60R 11/0241;
B60R 11/0252; B60R 2011/0003; B60R
2011/0005; B60R 2011/0008; H04M
1/04; H04B 1/3877; A45F 2200/0516;
A45F 2200/0525; H05K 5/0204; F16M
13/02; F16M 13/022; F16M 11/04; F16M
11/041; F16B 2/12; H01F 7/0252; G03B
17/561

See application file for complete search history.

(56) **References Cited**

U.S. PATENT DOCUMENTS

- D33,639 S * 12/1900 Tiner D8/399
- 6,561,476 B2 5/2003 Carnevali
- D525,362 S * 7/2006 Nielsen D24/168
- D528,407 S * 9/2006 Schwab D8/399

(Continued)

FOREIGN PATENT DOCUMENTS

- EP 2147850 1/2010
- EP 2277768 1/2011
- WO WO 2012/016158 2/2012

OTHER PUBLICATIONS

Quad Lock—Mounts, Annex Products Pty Ltd., accessed on-line at:
www.quadlockcase.com/collections/shop-mounts (available prior to
filing of the present application).

(Continued)

Primary Examiner — Jeffrey D Asch

Assistant Examiner — Rebekah A Caruso

(74) *Attorney, Agent, or Firm* — Barnes & Thornburg
LLP

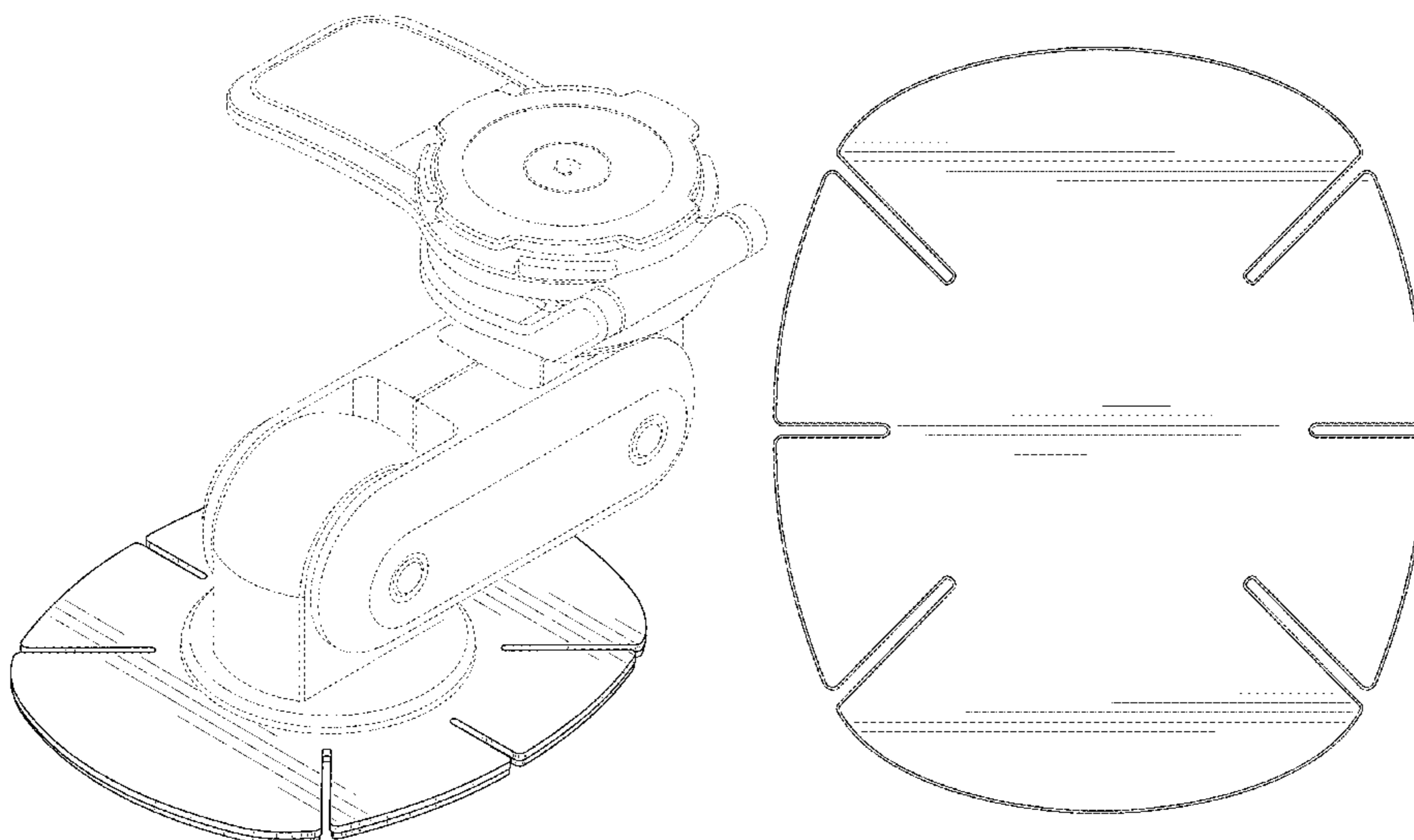
(57) **CLAIM**

We claim the ornamental design for an adhesive base, as
shown and described.

DESCRIPTION

FIG. 1 is a front perspective view of an adhesive base in
accordance with our new design;
FIG. 2 is a rear perspective view of the adhesive base of FIG.
1;
FIG. 3 is a front elevation view of the adhesive base of FIG.
1;
FIG. 4 is a rear elevation view of the adhesive base of FIG.
1;
FIG. 5 is a right-side elevation view of the adhesive base of
FIG. 1;
FIG. 6 is a left-side elevation view of the adhesive base of
FIG. 1;
FIG. 7 is a top plan view of the adhesive base of FIG. 1; and,
FIG. 8 is a bottom plan view of the adhesive base of FIG. 1.
The broken lines depict portions of the adhesive base and a
mounting device that form no part of the claimed design.

1 Claim, 8 Drawing Sheets



(56)

References Cited

U.S. PATENT DOCUMENTS

7,182,359 B2 2/2007 Galvagno
 D537,948 S * 3/2007 Smith D24/189
 7,374,142 B2 5/2008 Carnevali
 D595,722 S * 7/2009 Miyawaki D14/253
 D605,233 S * 12/2009 Ashida D14/434
 7,674,948 B2 * 3/2010 Propp A61F 13/0203
 602/41
 D658,972 S * 5/2012 Virgin D8/349
 D679,392 S * 4/2013 Peterson D24/128
 D684,569 S * 6/2013 Willenborg D14/253
 D695,817 S * 12/2013 Raccah D16/242
 D699,199 S * 2/2014 Kuwabara D13/182
 D709,940 S * 7/2014 Raccah D16/242
 D712,546 S * 9/2014 Igwebuike D24/189
 9,425,651 B2 * 8/2016 Strauser G06F 1/1632
 D776,519 S * 1/2017 Almaghlouth D8/399
 9,568,145 B2 2/2017 Carnevali

D785,189 S * 4/2017 Dettmar D24/189
 D849,533 S * 5/2019 Broyles D9/434
 D852,681 S * 7/2019 Peters D12/114
 2006/0229740 A1 10/2006 Kreisel et al.
 2012/0175474 A1 * 7/2012 Barnard F16M 11/041
 248/122.1
 2019/0009850 A1 * 1/2019 Peters B62J 11/00

OTHER PUBLICATIONS

RAM Mount Adhesive Mount Universal Base, eBay, accessed on-line at: <https://www.ebay.com/i/253346512944?chn=ps> (available prior to filing of the present application).

SM-VHB, Adhesive Motorcycle Gas Tank Phone Mount for Apple iPhone 6, 5S, Galaxy S4, S3, Responder, accessed on-line at: <https://www.responderpse.com/arkon-sm-vhb.htm> (available prior to filing of the present application).

* cited by examiner

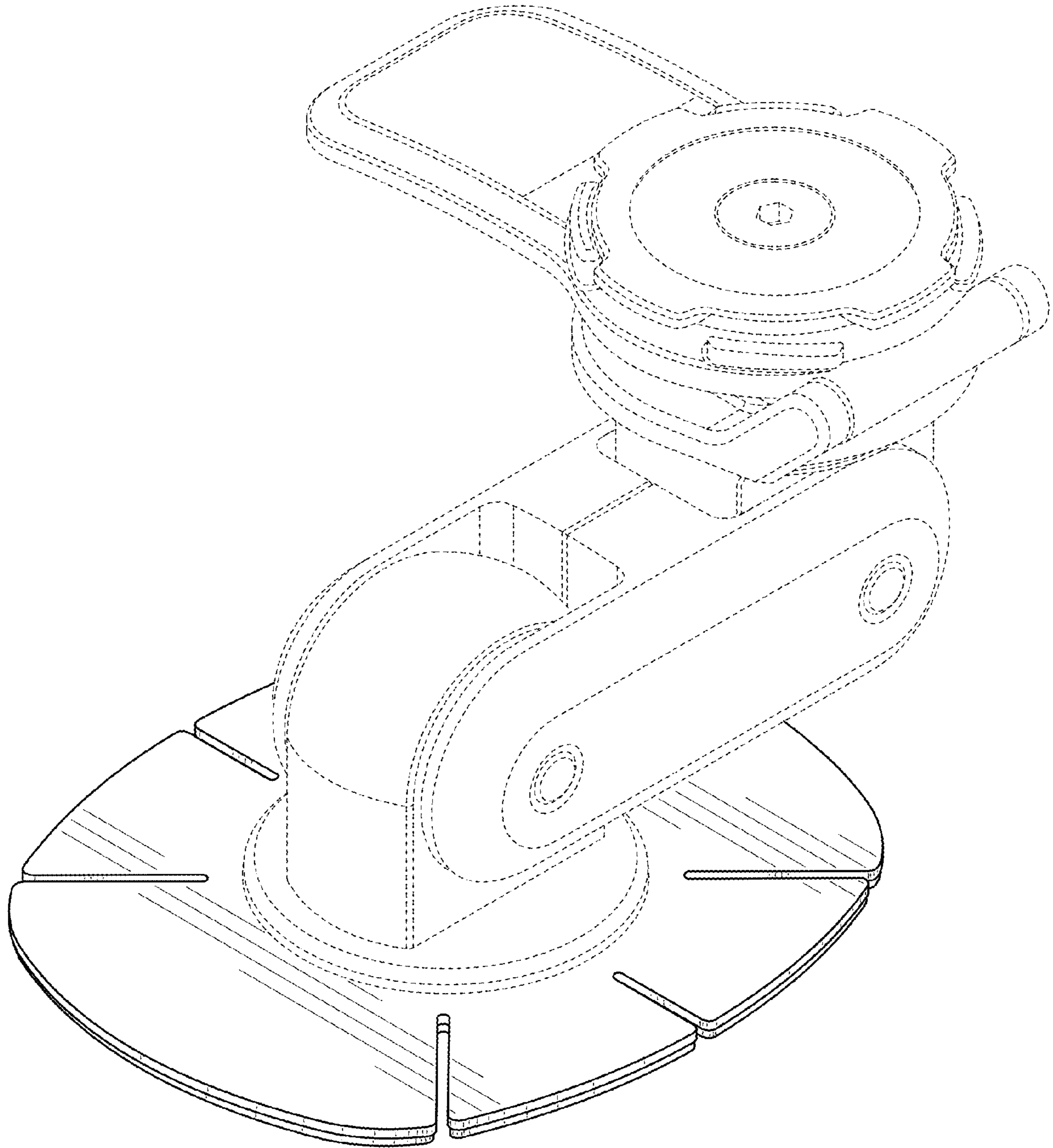


FIG. 1

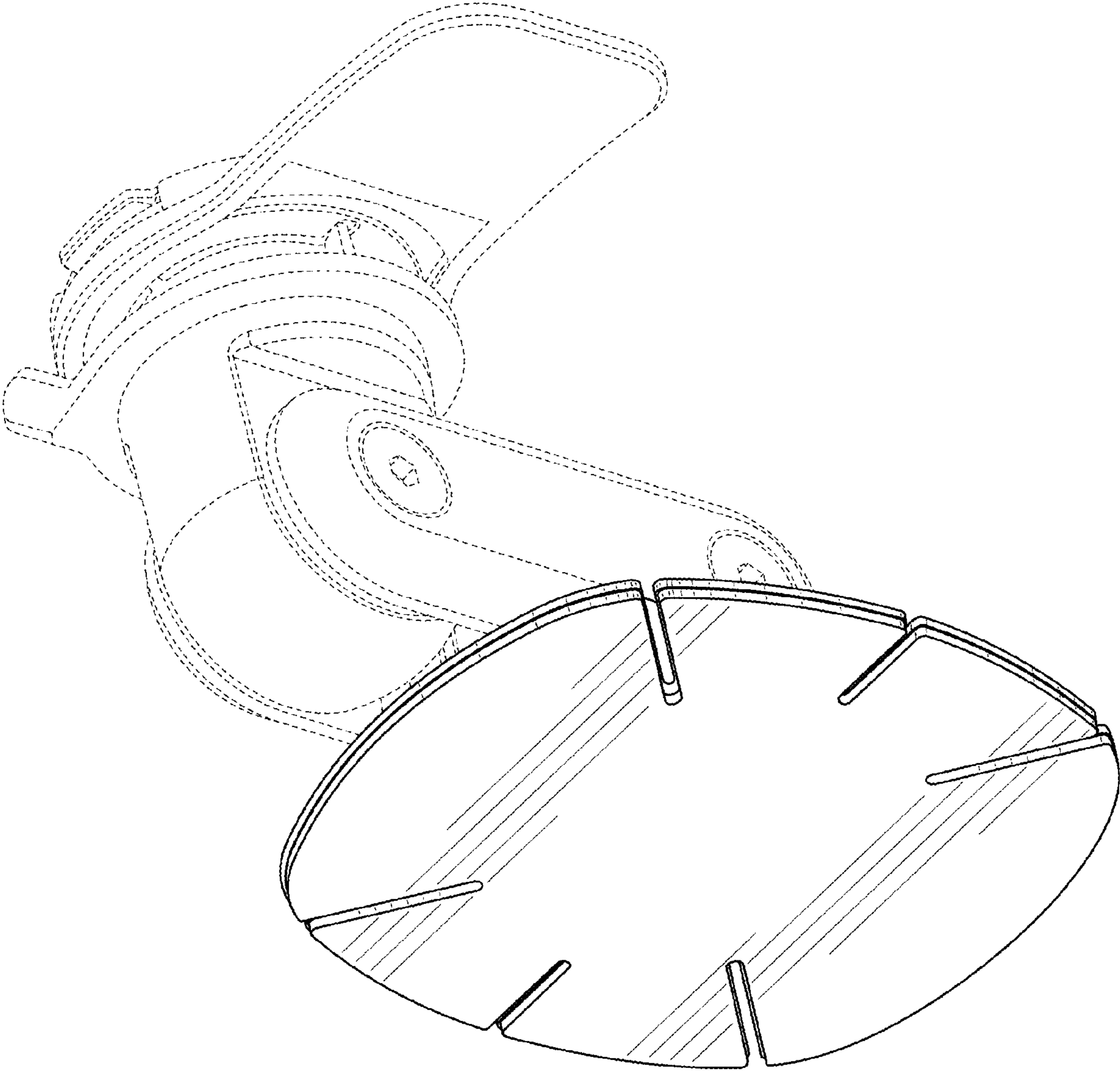


FIG. 2

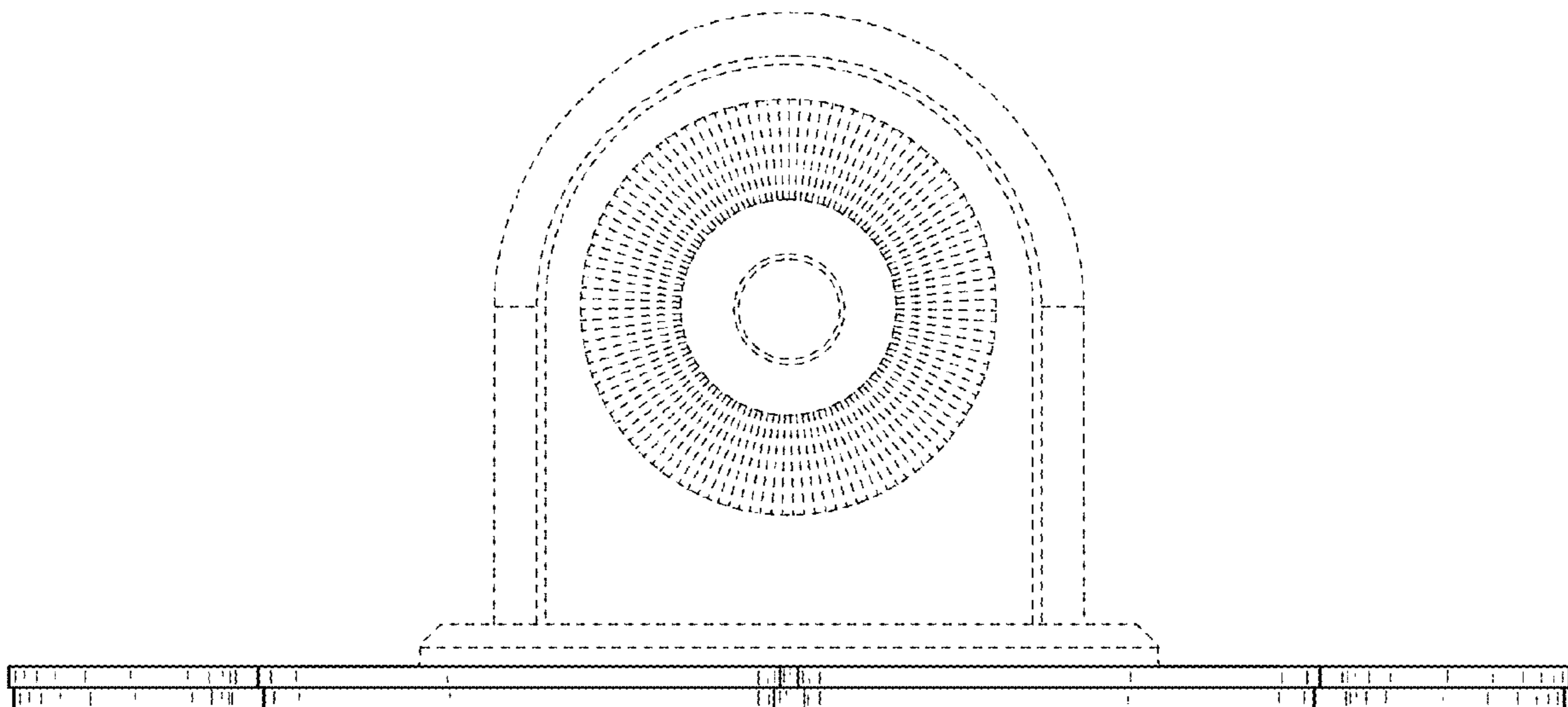


FIG. 3

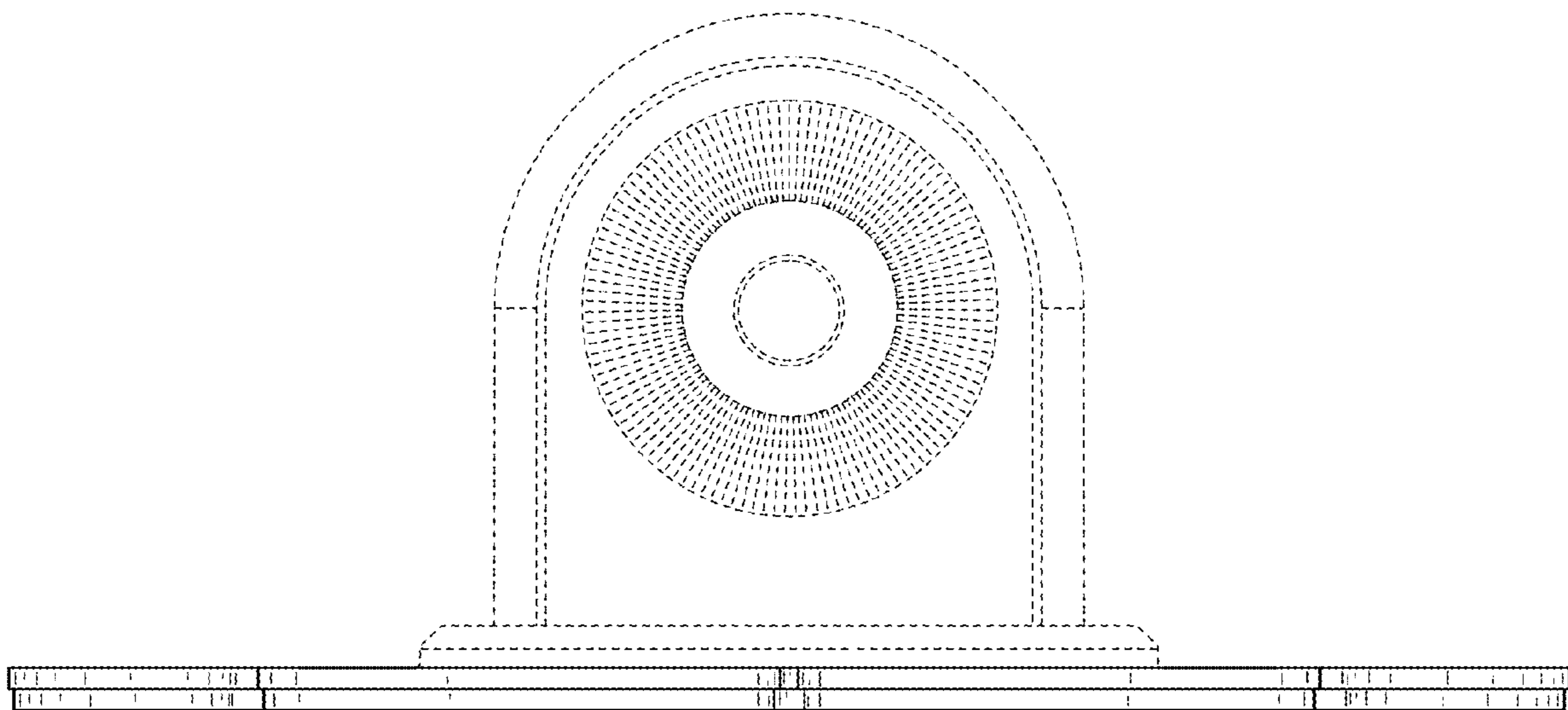


FIG. 4

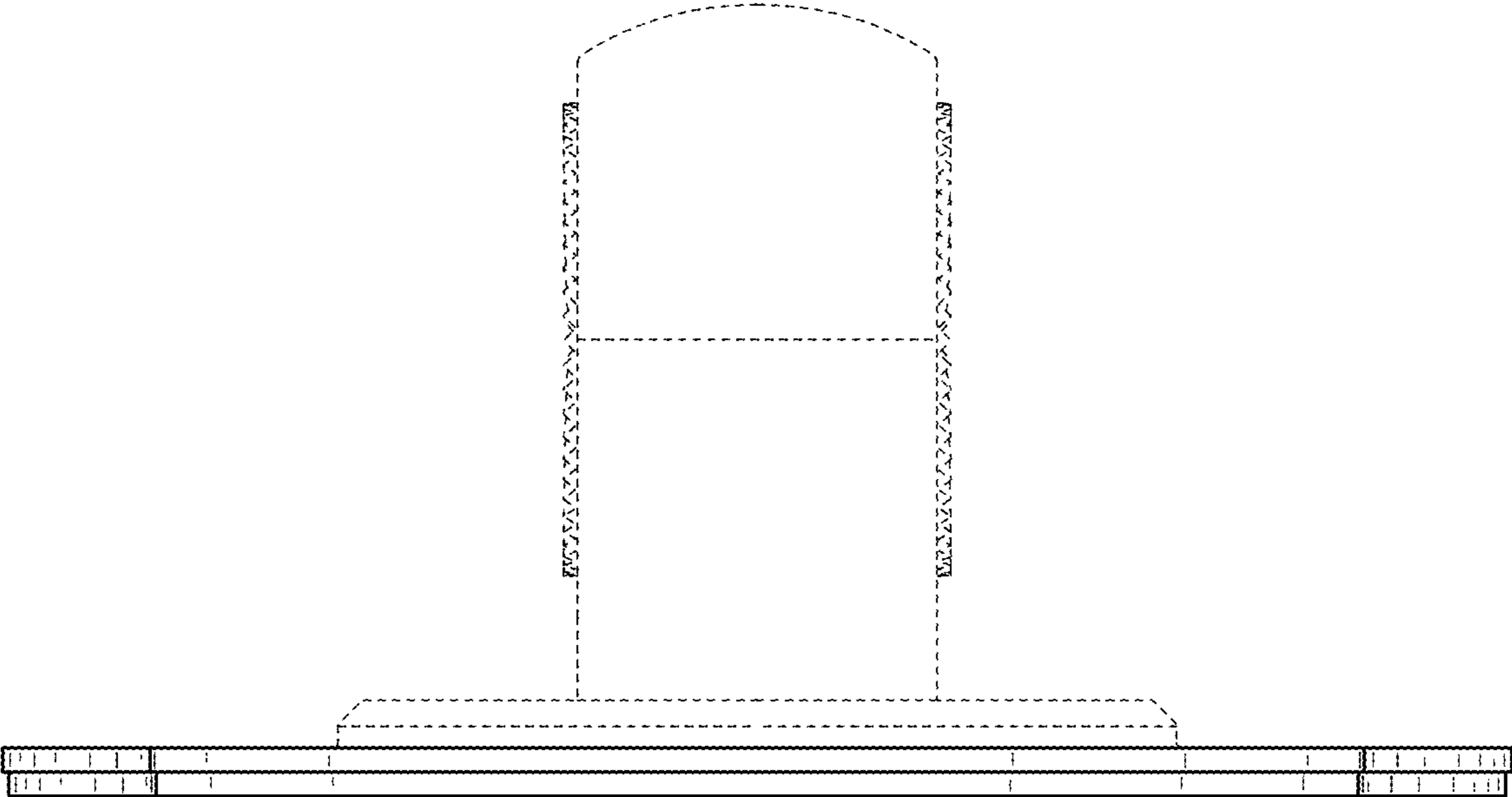


FIG. 5

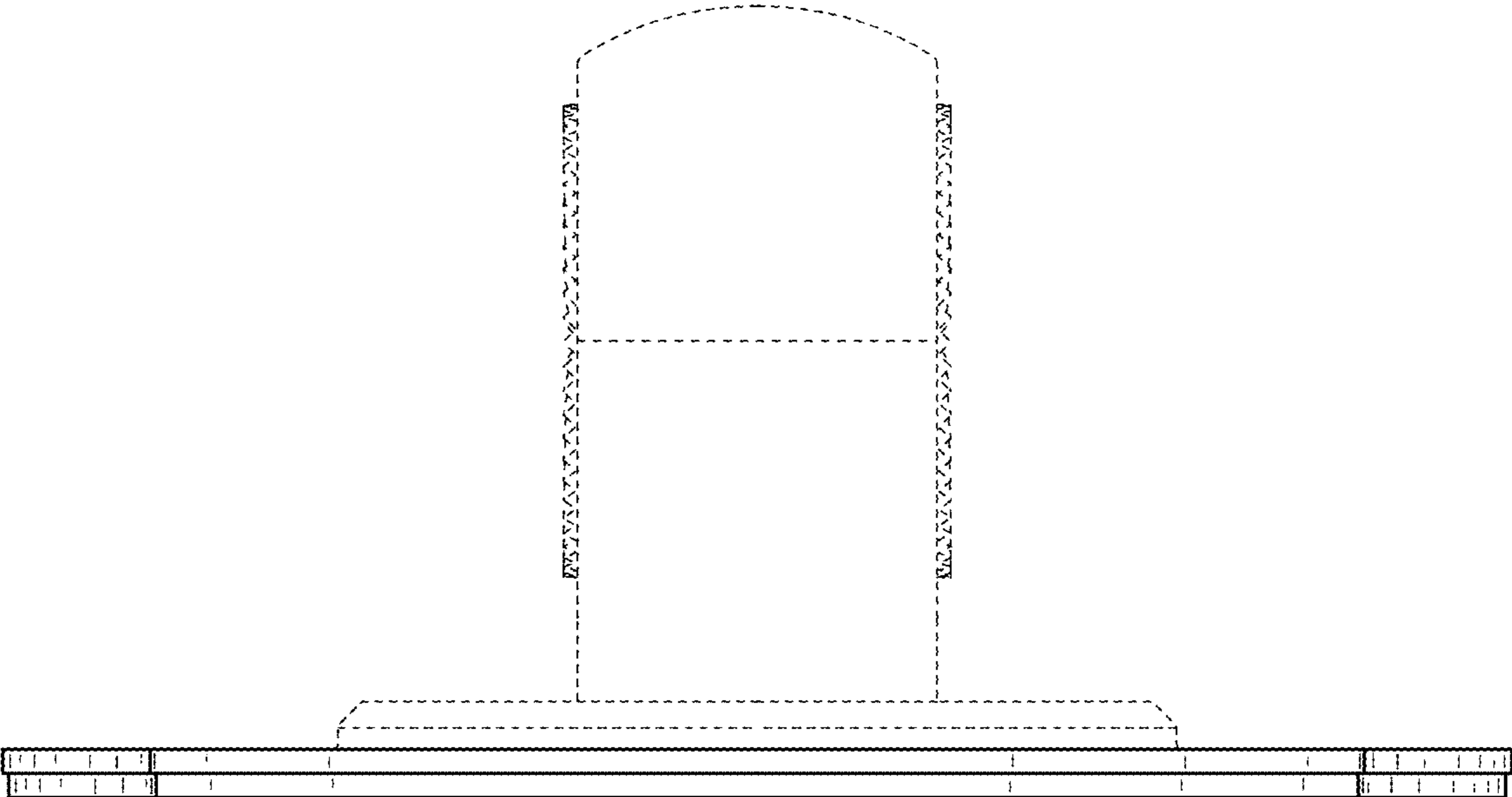


FIG. 6

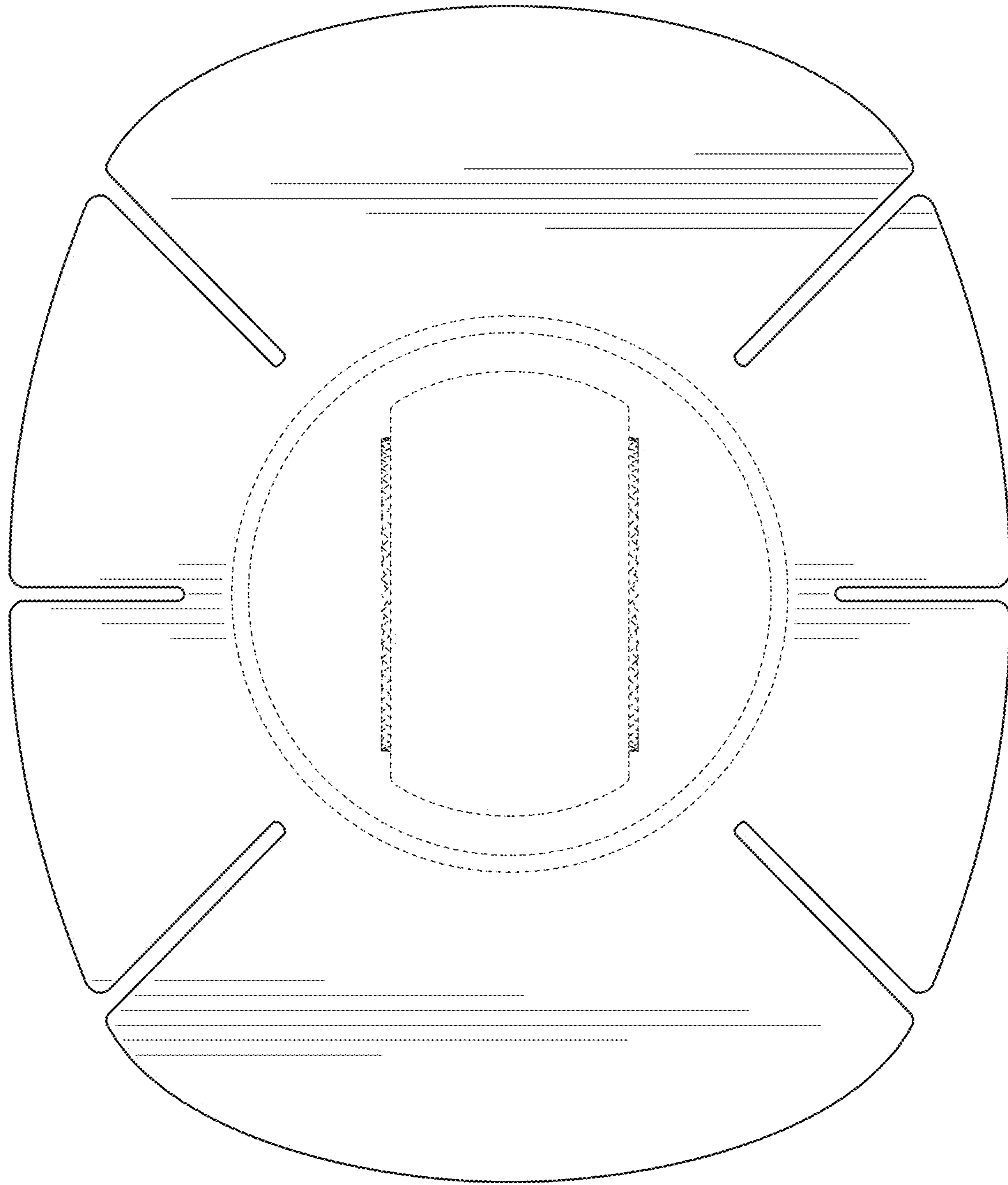


FIG. 7

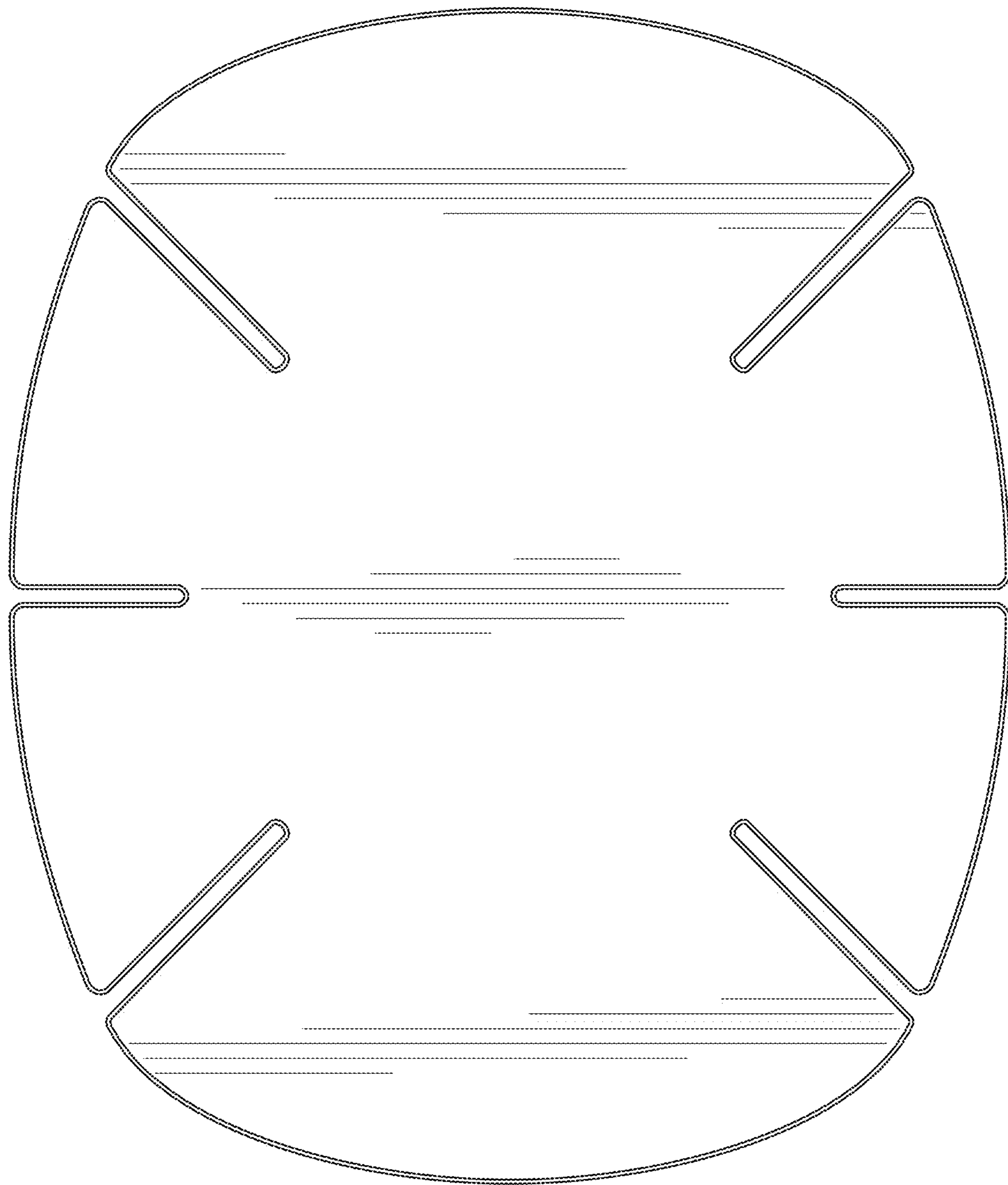


FIG. 8