



US00D870718S

(12) **United States Design Patent**
Peters et al.

(10) **Patent No.:** **US D870,718 S**
(45) **Date of Patent:** **** Dec. 24, 2019**

(54) **DESK STAND**

D413,110 S * 8/1999 Sweere D14/447
6,888,940 B1 5/2005 Deppen
7,357,361 B2 4/2008 Yen

(Continued)

(71) Applicant: **ANNEX PRODUCTS PTY. LTD.**,
Prahran (AU)

FOREIGN PATENT DOCUMENTS

(72) Inventors: **Christopher Peters**, Prahran (AU);
Leigh Ryan, Sandringham (AU)

WO WO 2012/016158 2/2012

(73) Assignee: **ANNEX PRODUCTS PTY. LTD.**,
Prahran (AU)

OTHER PUBLICATIONS

(**) Term: **15 Years**

Quad Lock Desk Mount Kits for Home or Office, YouTube online,
post date Oct. 15, 2018, URL: <https://www.youtube.com/watch?v=0ZwvXIBatPQ>, retrieved Aug. 28, 2019.*

(21) Appl. No.: **29/648,638**

oDDel Magnetic Cell Phone Stand & Tablet Holder, Amazon online,
review with picture posted Dec. 30, 2018, URL: <https://www.amazon.com/Magnetic-Phone-Holder-Redesigned-Rotation/dp/B07JQP GDV9/>, retrieved Aug. 28, 2019.*

(22) Filed: **May 23, 2018**

(Continued)

(51) **LOC (12) Cl.** **14-99**

(52) **U.S. Cl.**
USPC **D14/253**; D14/447

Primary Examiner — Jeffrey D Asch
Assistant Examiner — Rebekah A Caruso

(58) **Field of Classification Search**
USPC D14/250–254, 217, 224, 224.1, 238.1,
D14/299, 434, 447, 451–452, 483;
D12/400, 415–426, 426.1, 114, 223;
D16/242, 245; D10/74; D3/218, 304,
D3/310, 313; D13/107, 108; D19/75,
D19/77, 81, 84, 91, 92; D6/512, 672,
D6/682, 628.3, 682.4
CPC B60R 11/00; B60R 11/02; B60R 11/0241;
B60R 11/0252; B60R 2011/0003; B60R
2011/0005; B60R 2011/0008; H04M
1/04; H04B 1/3877; A45F 2200/0516;
A45F 2200/0525; H05K 5/0204; F16M
13/02; F16M 13/022; F16M 11/04; F16M
11/041; F16B 2/12; H01F 7/0252; G03B
17/561

(74) *Attorney, Agent, or Firm* — Barnes & Thornburg
LLP

See application file for complete search history.

(57) **CLAIM**

We claim the ornamental design for a desk stand, as shown
and described.

DESCRIPTION

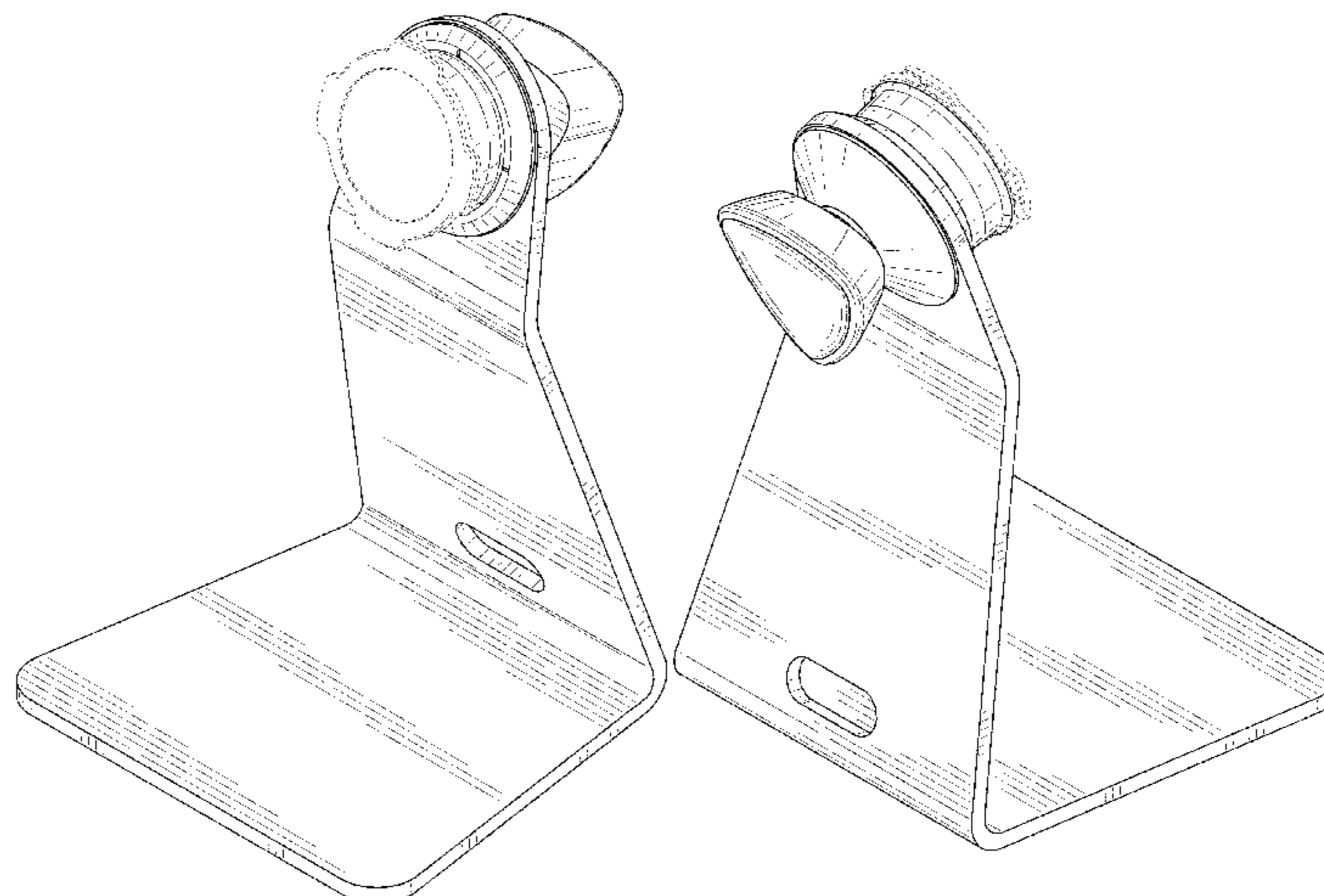
FIG. 1 is a front perspective view of desk stand in accordance with our new design;
FIG. 2 is a rear perspective view of the desk stand of FIG. 1;
FIG. 3 is a front elevation view of the desk stand of FIG. 1;
FIG. 4 is a rear elevation view of the desk stand of FIG. 1;
FIG. 5 is a left-side elevation view of the desk stand of FIG. 1;
FIG. 6 is a right-side elevation view of the desk stand of FIG. 1;
FIG. 7 is a top plan view of the desk stand of FIG. 1; and,
FIG. 8 is a bottom plan view of the desk stand of FIG. 1.
The broken lines depict portions of the desk stand that form no part of the claimed design.

(56) **References Cited**

U.S. PATENT DOCUMENTS

3,278,203 A 10/1966 Snyder
5,213,233 A 5/1993 Schmitt

1 Claim, 8 Drawing Sheets



(56)

References Cited

U.S. PATENT DOCUMENTS

D587,188 S 2/2009 Mo
 D592,188 S * 5/2009 Huang D14/217
 D602,913 S * 10/2009 Han D14/217
 D638,008 S 5/2011 Richter
 D640,247 S 6/2011 Baumann et al.
 D645,462 S 9/2011 Choi
 D649,153 S * 11/2011 Symons D14/447
 D650,372 S * 12/2011 Molter D14/239
 D655,282 S 3/2012 Richter
 8,238,086 B2 8/2012 Ou
 D683,141 S * 5/2013 Symons D14/447
 D687,036 S * 7/2013 Seong D14/374
 8,553,408 B2 10/2013 Supran et al.
 D703,673 S * 4/2014 Kittlaus D14/447
 D703,676 S * 4/2014 Smith D14/447
 D715,078 S * 10/2014 Bibeau D6/678
 D732,037 S * 6/2015 Wylie D14/434
 RE45,816 E * 12/2015 Andre D14/375
 9,243,739 B2 1/2016 Peters
 9,319,086 B2 4/2016 Wong
 D756,367 S * 5/2016 Kim D14/447
 9,348,376 B2 5/2016 Kamepalli et al.
 D760,724 S * 7/2016 Kang D14/447
 D763,255 S * 8/2016 Lee D14/371
 9,581,291 B2 2/2017 Trotsky
 9,611,881 B2 4/2017 Khodapanah et al.
 D788,094 S * 5/2017 Kim D14/250
 D788,762 S * 6/2017 Kim D14/250
 D789,348 S * 6/2017 Kim D14/250
 D791,861 S * 7/2017 Battle D14/447
 D792,415 S * 7/2017 Tsai D14/447
 9,850,926 B2 12/2017 Buchanan
 D806,450 S * 1/2018 Seong D6/672
 D816,656 S * 5/2018 Kim D14/253
 D816,657 S * 5/2018 Kim D14/253
 10,117,353 B2 * 10/2018 Burns G06F 1/1654
 D839,869 S * 2/2019 Wang D14/253
 D842,305 S * 3/2019 Gao D14/447
 D844,690 S * 4/2019 Laurans D16/244
 D856,343 S * 8/2019 Kijiya D14/447
 2012/0145843 A1 6/2012 Ho et al.
 2012/0252543 A1 10/2012 Cho
 2014/0328020 A1 * 11/2014 Galant F16M 11/105
 361/679.56

2015/0002088 A1 1/2015 D'Agostino
 2016/0029797 A1 * 2/2016 King A47B 97/00
 361/679.6
 2017/0065044 A1 3/2017 Whitten et al.

OTHER PUBLICATIONS

AboveTEK, Sleek Magnetic Tablet Stand, accessed on-line at: https://www.amazon.com/dp/B074PCXHBT/ref=sspa_dk_detail_3?psc=1&pd_rd_i=B074PCXHBT&pd_rd_wg=5whKE&pd_rd_r=EBRPGG98E, (available prior to filing of the present application).
 iPad Case and Pivot stand, Studio Proper, accessed on-line at: www.studioproper.com/products/pivot-stand (available prior to filing of the present application).
 iPad Case for Car Headrest, Studio Proper, accessed on-line at: www.studioproper.com/products/headrest-mount (available prior to filing of the present application).
 iPad P/O/S Pivot Table Stand and Wall Mount, Studio Proper, accessed on-line at: https://www.studioproper.com/products/pos-pivot?gclid=EAlaIqObChMI6ZSgIYaz2QIVWLXACH3fDwQzEAQYBiABEgJ_nvD_BwE# (available prior to filing of the present application).
 iPad Pro Case 9.7, Studio Proper, accessed on-line at: www.studioproper.com/products/ipad-pro-case-9-7 (available prior to filing of the present application).
 iPhone and Android Wireless Charger Pads, Which one is the best?, ZDNet, accessed on-line at: www.zdnet.com/article/iphone-and-android-wireless-charger-pads-which-one-is-the-best/ (available prior to filing of the present application).
 iPhone Magnetic Car Mount, Studio Proper, accessed on-line at: www.studioproper.com/products/iphone-car-mount (available prior to filing of the present application).
 iPhone Magnetic Tilt Stand, Studio Proper, accessed on-line at: <https://www.studioproper.com/products/iphone-tilt-stand> (available prior to filing of the present application).
 Quad Lock—Mounts, Annex Products Pty Ltd., accessed on-line at: www.quadlockcase.com/collections/shop-mounts (available prior to filing of the present application).
 The Wallee iPad Case and Wall Mount, accessed on-line at: <http://thewallee.com/accessories/details/product/vesa> (available prior to filing of the present application).
 Universal Desk Aluminum Metal Portable Stand Holder Mount for Phone and Tablet, accessed on-line at: <https://www.walmart.com/ip/Universal-Desk-Aluminum-Metal-Portable-Stand-Holder-Mount-For-Phone-and-Tablet-Black/113657279> (available prior to filing of the present application).

* cited by examiner

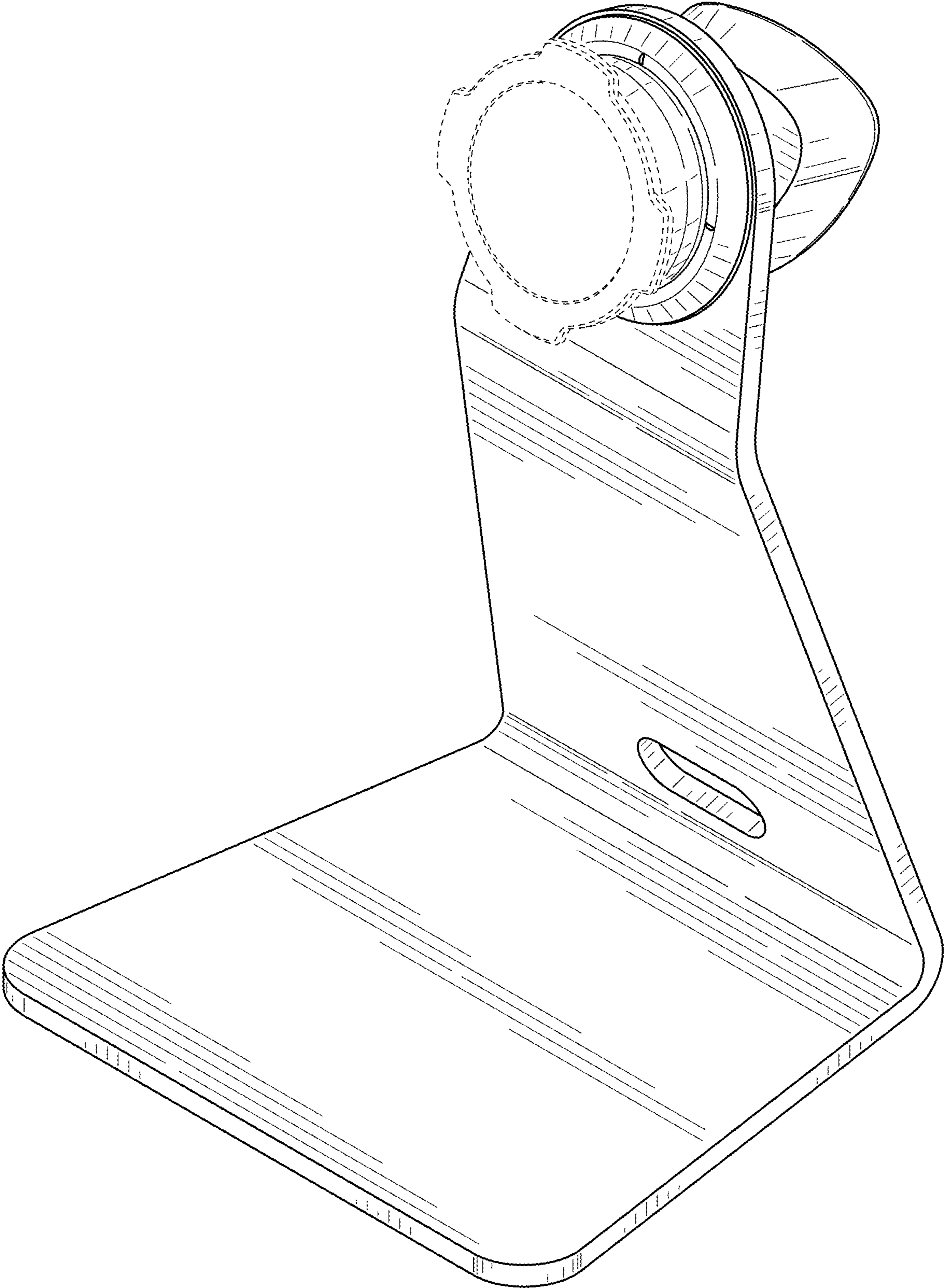


FIG. 1

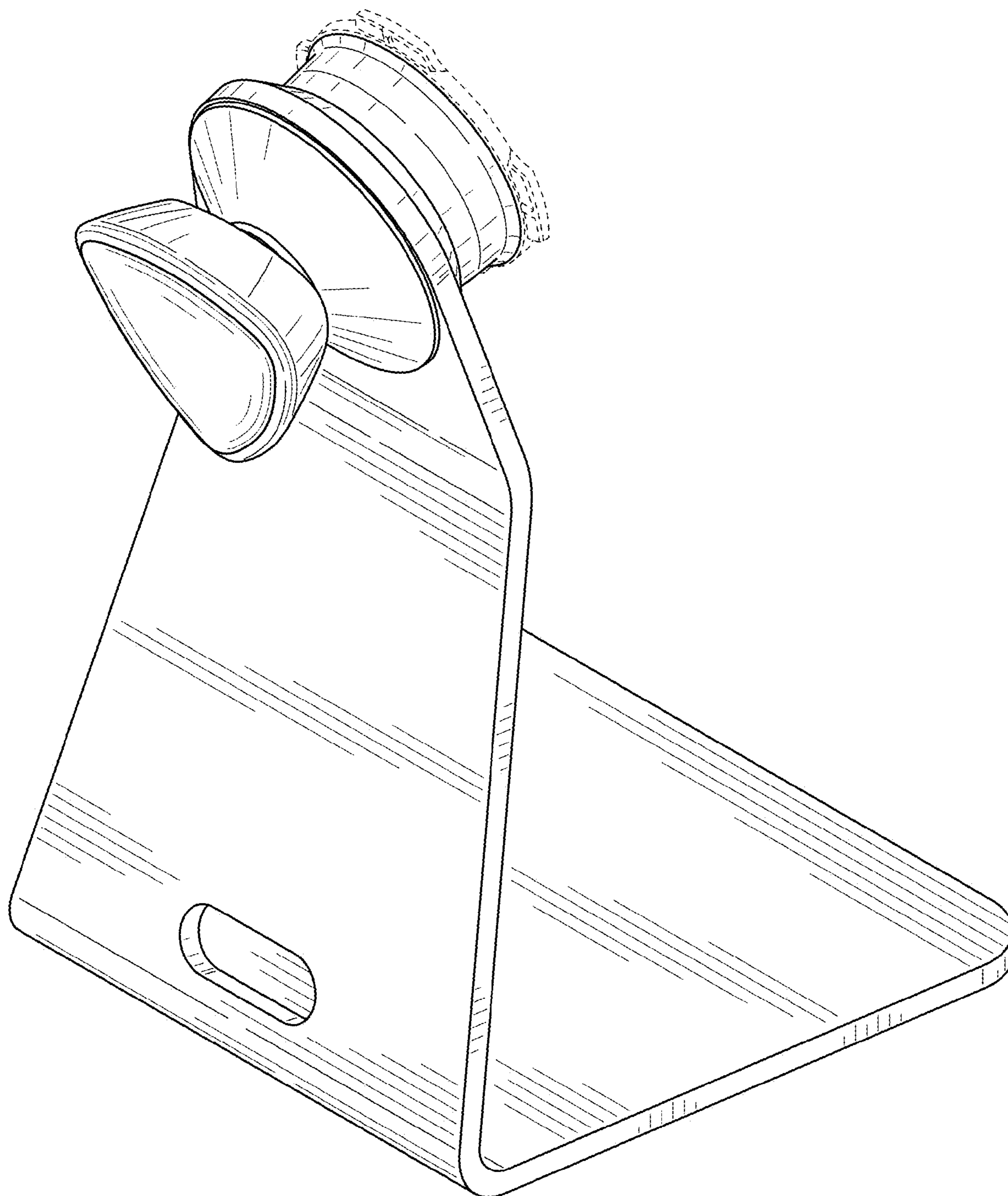


FIG. 2

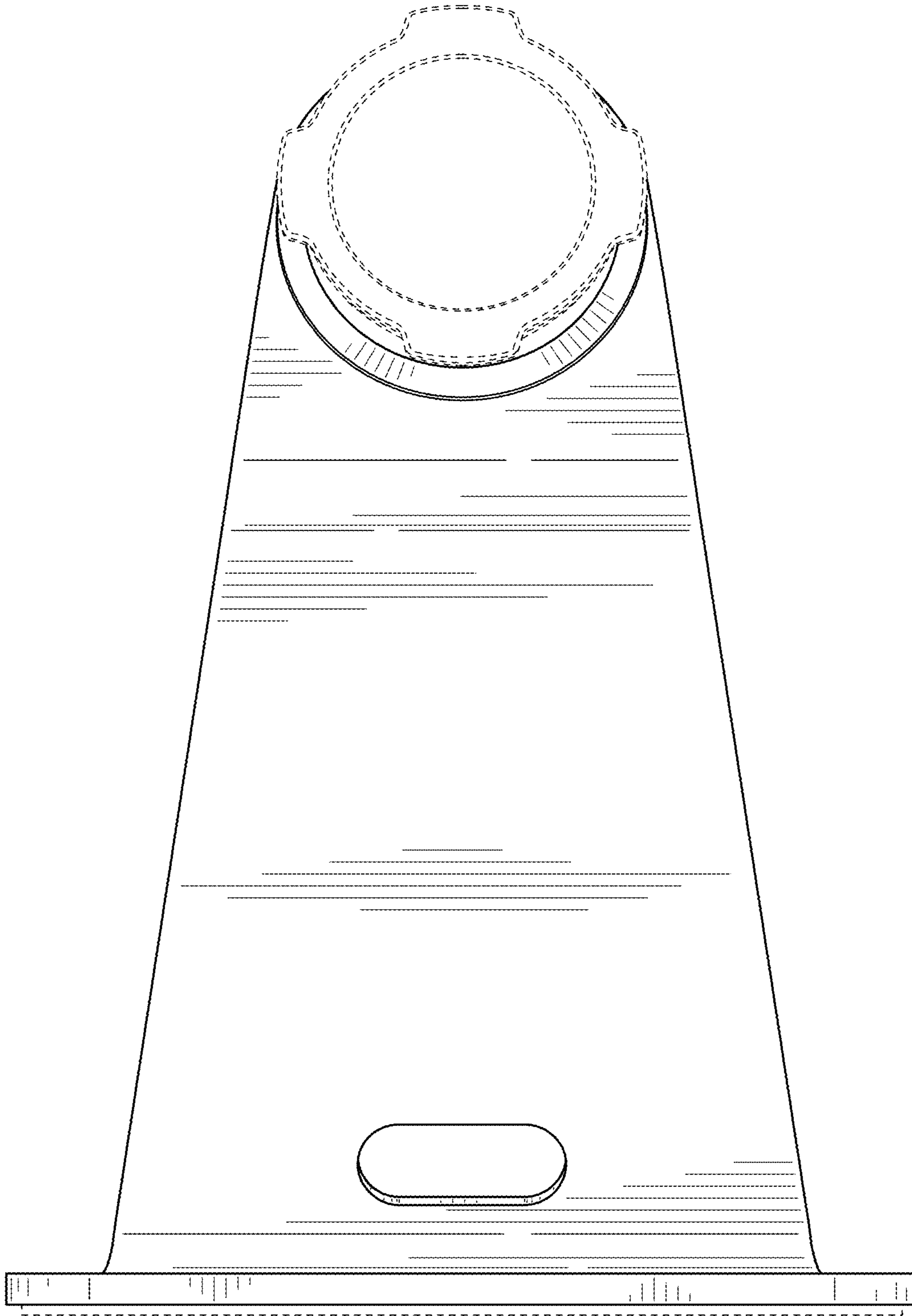


FIG. 3

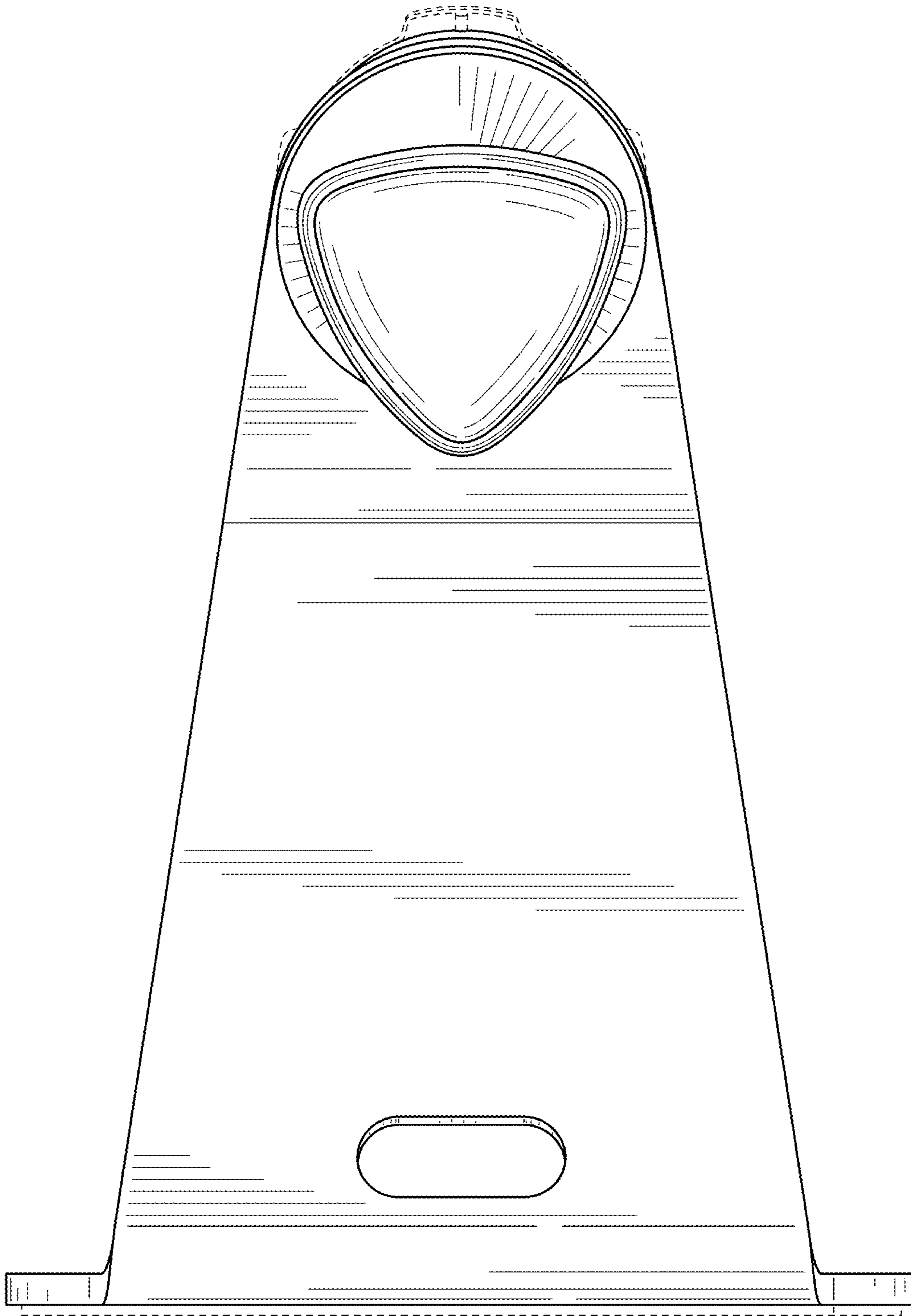


FIG. 4

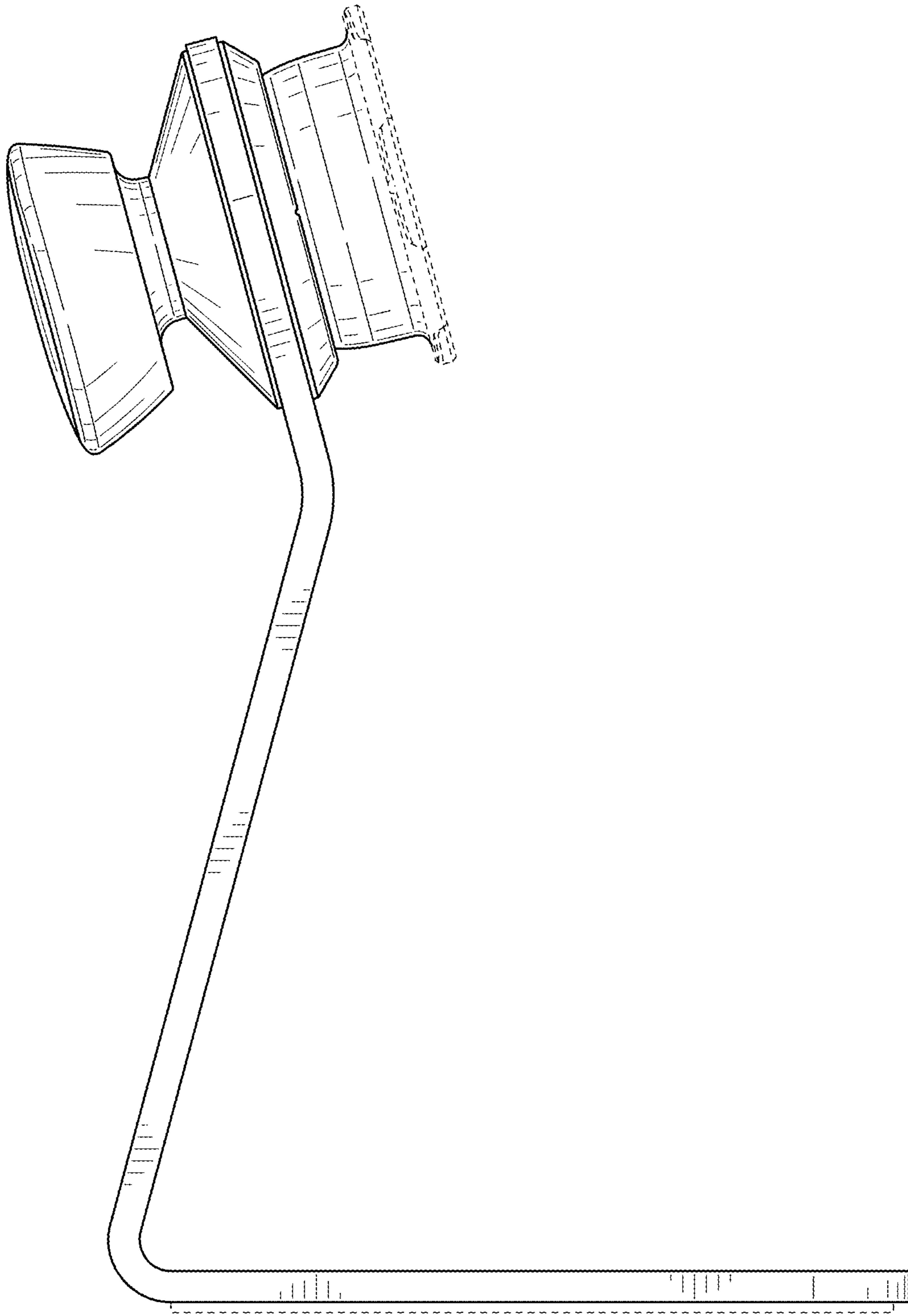


FIG. 5

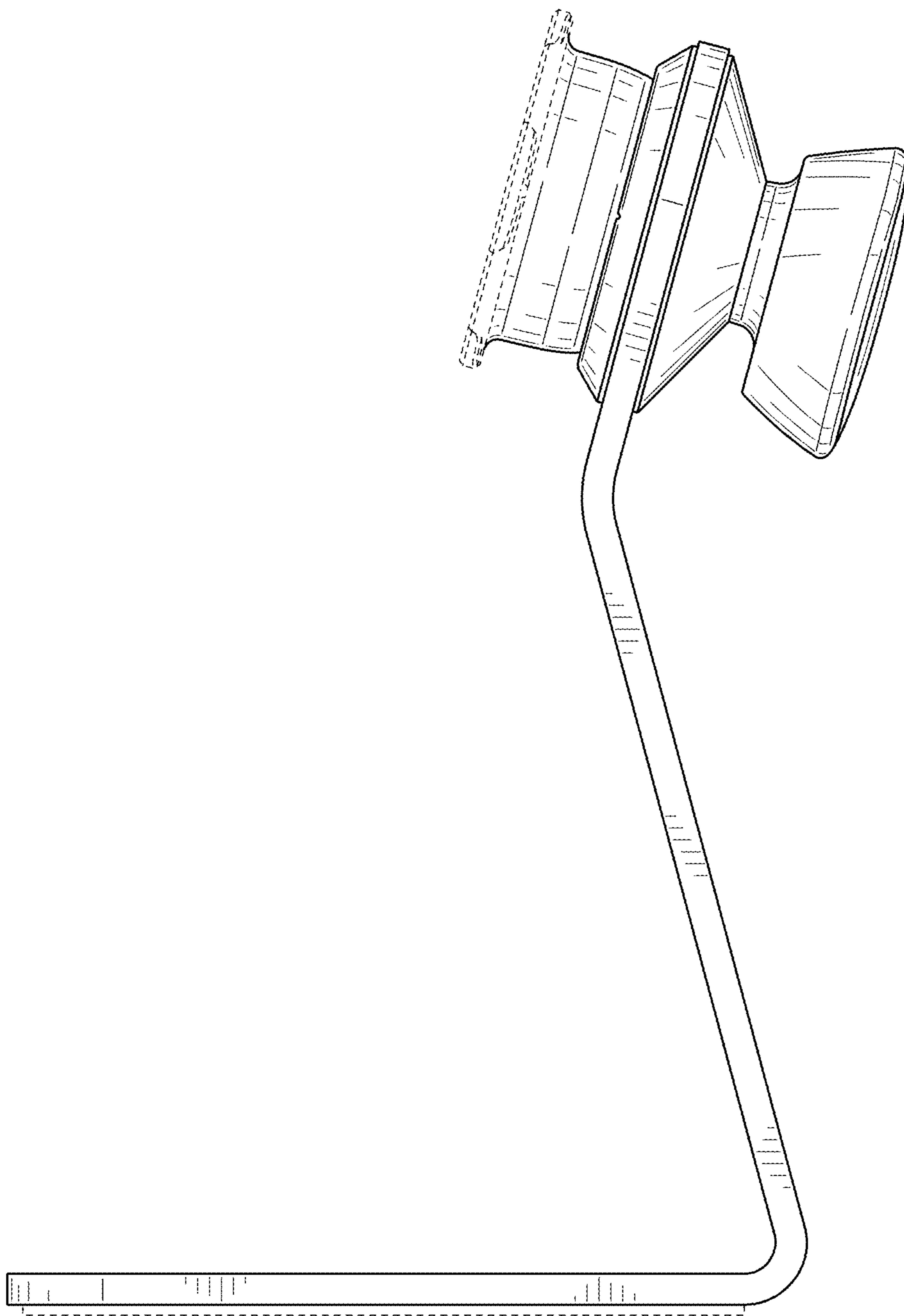


FIG. 6

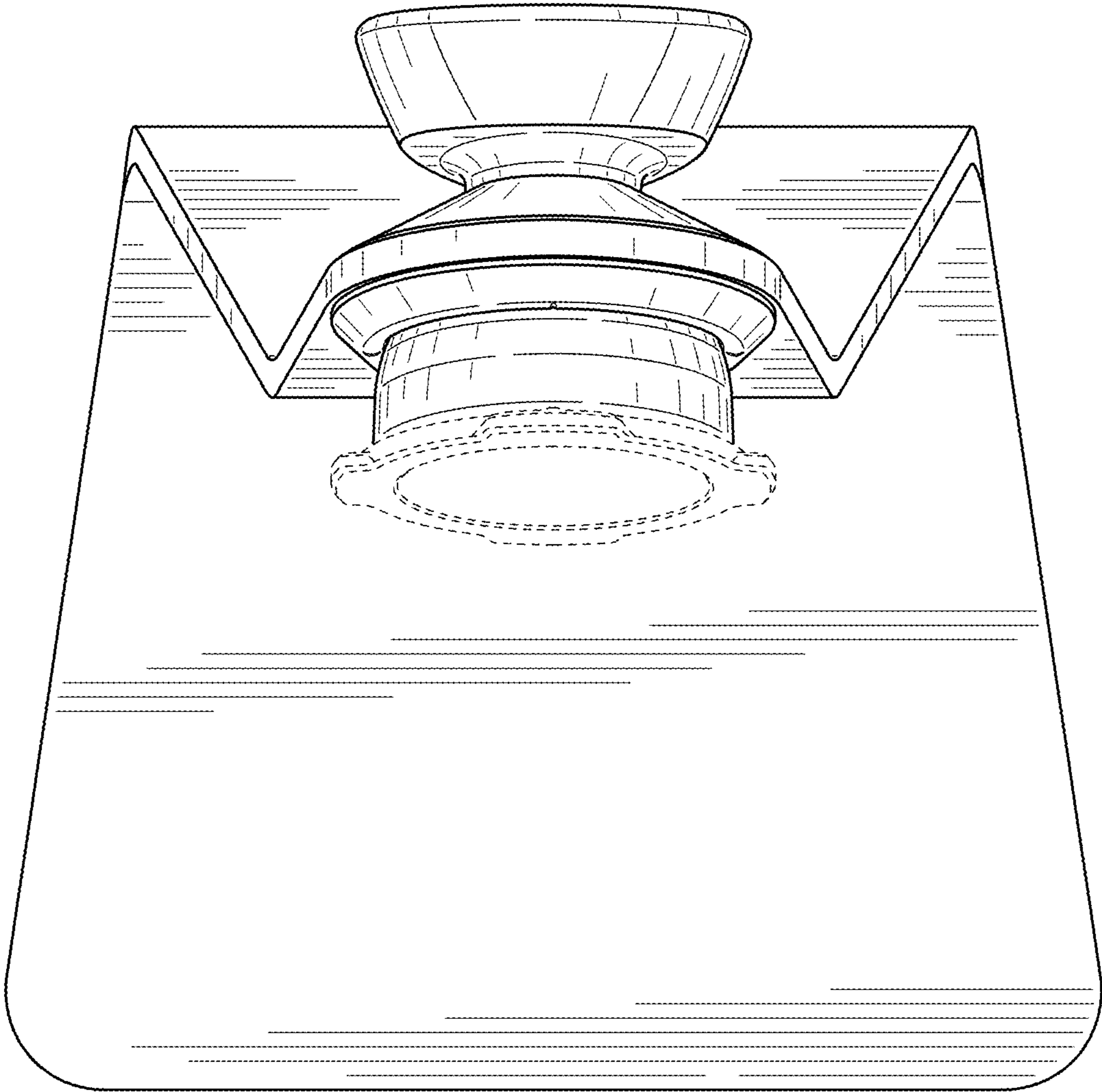


FIG. 7

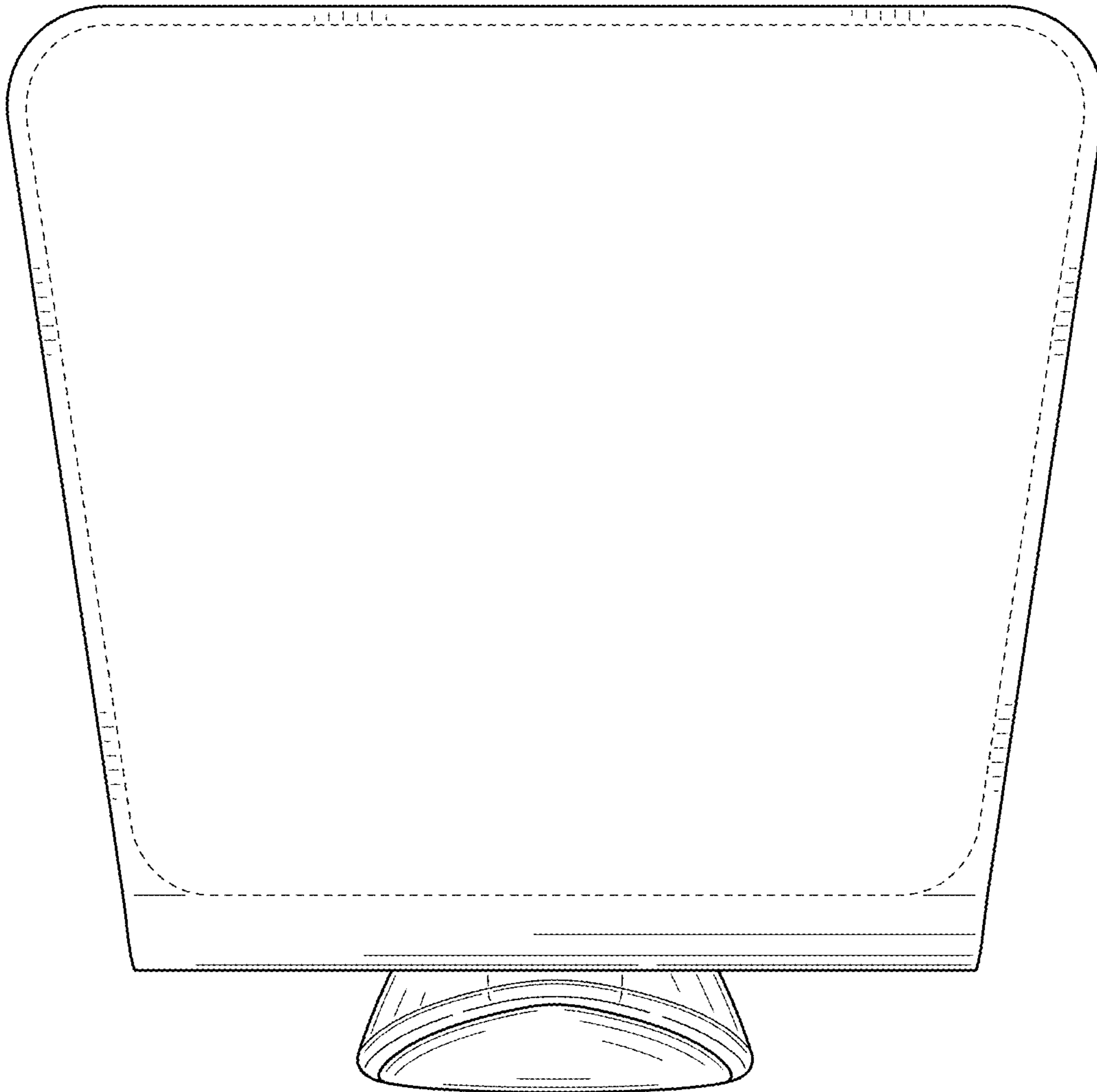


FIG. 8