



US00D870716S

(12) **United States Design Patent**  
**Kim**

(10) **Patent No.:** **US D870,716 S**

(45) **Date of Patent:** **\*\* \*Dec. 24, 2019**

(54) **CASE FOR AN ELECTRONIC DEVICE**

(71) Applicant: **SPIGEN KOREA CO., LTD.**, Seoul (KR)

(72) Inventor: **Dae-Young Kim**, Seoul (KR)

(73) Assignee: **SPIGEN KOREA CO., LTD.**, Seoul (KR)

(\*) Notice: This patent is subject to a terminal disclaimer.

(\*\*) Term: **15 Years**

(21) Appl. No.: **29/571,941**

(22) Filed: **Jul. 22, 2016**

**Related U.S. Application Data**

(63) Continuation of application No. 29/518,406, filed on Feb. 23, 2015, now Pat. No. Des. 787,492.

(51) **LOC (12) Cl.** ..... **14-03**

(52) **U.S. Cl.**  
USPC ..... **D14/250**

(58) **Field of Classification Search**

USPC ..... D14/143, 189, 203.2-203.7, 217, 238.1, D14/240, 248, 250, 251-253, 440, 447, D14/496; D13/103, 107-108, 119; D3/201, 218, 247, 269, 273, 301, 303  
CPC ..... A45C 1/06; A45C 11/00; A45C 13/02; A45C 2011/002; A45F 2005/026; A45F 2200/0525; A45F 2200/0516; H04B 1/3888; H04M 1/0283; H04M 1/0202

See application file for complete search history.

(56) **References Cited**

**U.S. PATENT DOCUMENTS**

D619,361 S 7/2010 Andre  
D646,265 S 10/2011 Fathollahi  
D650,371 S 12/2011 Wibby

(Continued)

**OTHER PUBLICATIONS**

“Galaxy S6 Edge Case,” [http://cdn.shopify.com/s/files/1/0808/0067/products/m\\_GS6\\_edge\\_title\\_SA\\_white\\_1024x1024.jpg?v=1466725946](http://cdn.shopify.com/s/files/1/0808/0067/products/m_GS6_edge_title_SA_white_1024x1024.jpg?v=1466725946), Downloaded Jul. 21, 2016, 6Pages.

(Continued)

*Primary Examiner* — Khawaja Anwar

*Assistant Examiner* — Mojtaba Tehrani

(74) *Attorney, Agent, or Firm* — Heedong Chae; Lucem, PC

(57) **CLAIM**

The ornamental design for a case for an electronic device, as shown and described.

**DESCRIPTION**

FIG. 1 is a front perspective view of a case for an electronic device showing my new design;

FIG. 2 is a rear perspective view thereof;

FIG. 3 is a front elevational view thereof;

FIG. 4 is a rear elevational view thereof;

FIG. 5 is a left side elevational view thereof;

FIG. 6 is a right side elevational view thereof;

FIG. 7 is a top plan view thereof;

FIG. 8 is a bottom plan view thereof;

FIG. 9 is an exploded front perspective view thereof;

FIG. 10 is an exploded rear perspective view thereof;

FIG. 11 is a front perspective view of the inner shell of the case;

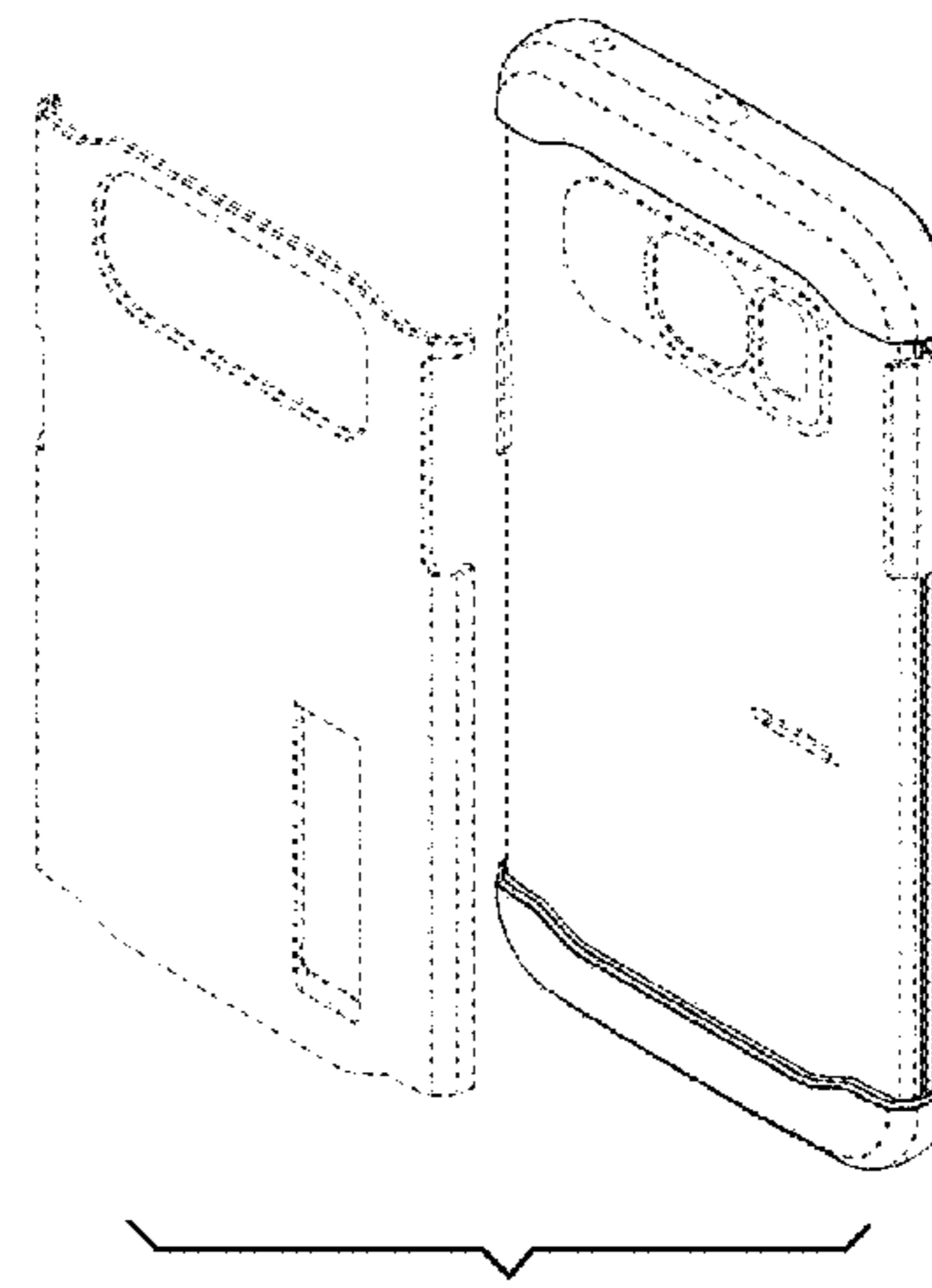
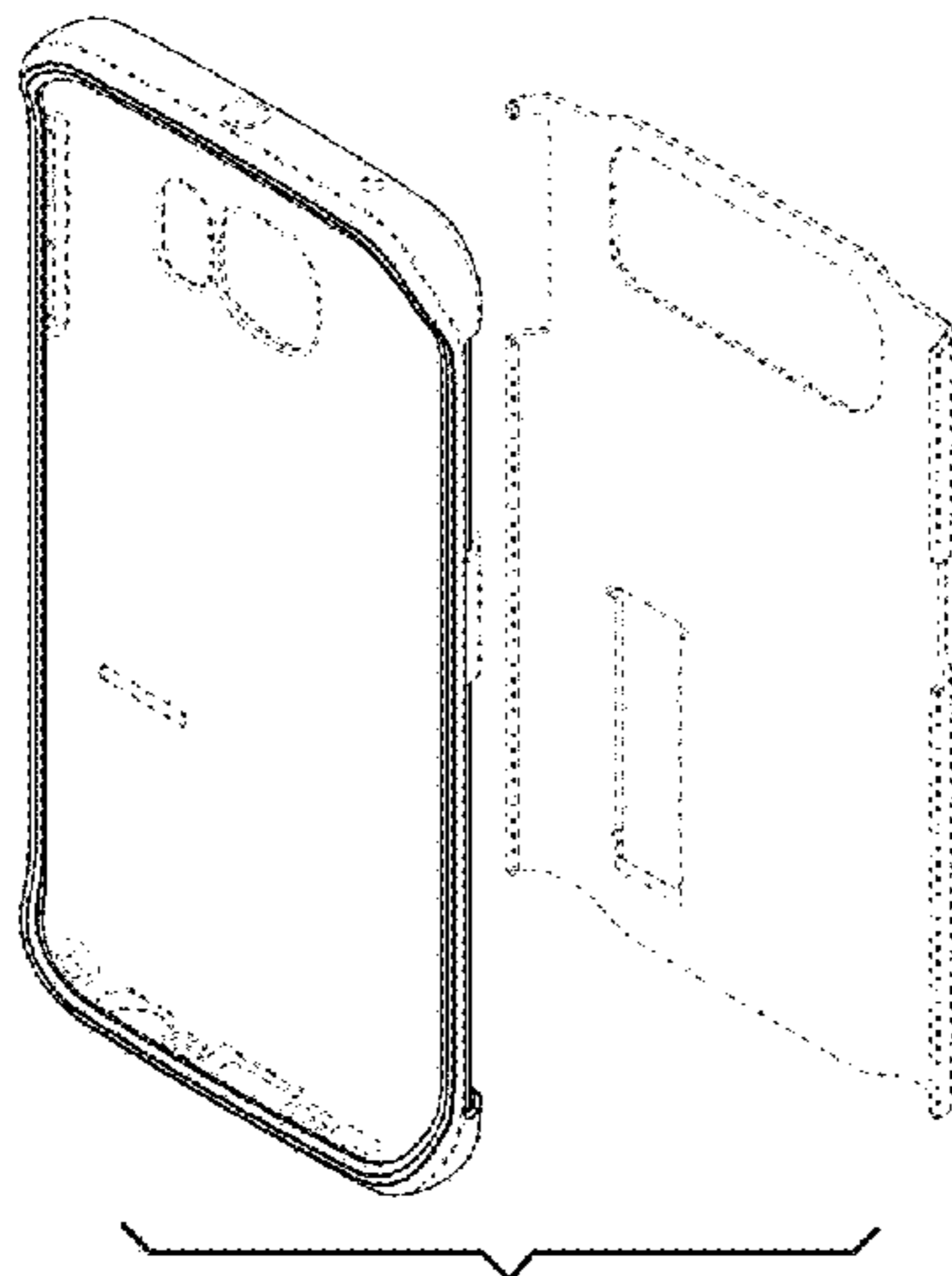
FIG. 12 is a rear perspective view of the inner shells of the case;

FIG. 13 is a front perspective view of the outer frame of the case; and,

FIG. 14 is a rear perspective view of the outer frame of the case.

The broken line in the figure drawings represents unclaimed environment only and forms no part of the claimed design.

**1 Claim, 14 Drawing Sheets**



(56)

References Cited

U.S. PATENT DOCUMENTS

D681,615 S \* 5/2013 Fathollahi ..... D14/250  
 D694,224 S 11/2013 Han  
 D702,220 S 4/2014 Kim  
 D703,646 S 4/2014 Fathollahi  
 D706,254 S 6/2014 Chang  
 D709,871 S 7/2014 Lee et al.  
 D732,012 S \* 6/2015 Tsai ..... D14/250  
 D743,389 S \* 11/2015 Akana ..... D14/250  
 D746,273 S 12/2015 Herbst  
 D749,535 S 2/2016 Joung  
 D752,568 S 3/2016 Kang et al.  
 D756,343 S 5/2016 Wall et al.  
 D756,909 S 5/2016 Gupta  
 D756,978 S 5/2016 Addonisio  
 D759,644 S 6/2016 Penn  
 D760,710 S 7/2016 Ozolins et al.  
 D761,774 S 7/2016 Liang  
 D761,775 S 7/2016 Pan et al.  
 D763,241 S 8/2016 Kim  
 D763,242 S 8/2016 Kim  
 D765,627 S 9/2016 Watt  
 D765,645 S 9/2016 Kim  
 D767,485 S 9/2016 To et al.  
 D771,028 S \* 11/2016 Kim ..... D14/250  
 D771,608 S \* 11/2016 Kim ..... D14/250  
 D772,209 S \* 11/2016 Kim ..... D14/250  
 D775,620 S \* 1/2017 Kim ..... D14/250  
 D776,648 S \* 1/2017 Kim ..... D14/250  
 D776,649 S \* 1/2017 Kim ..... D14/250  
 D777,155 S \* 1/2017 Kim ..... D14/250  
 D777,156 S \* 1/2017 Kim ..... D14/250  
 D778,897 S \* 2/2017 Kim ..... D14/250  
 D778,898 S \* 2/2017 Kim ..... D14/250  
 D786,233 S \* 5/2017 Kim ..... D14/250  
 D786,851 S \* 5/2017 Kim ..... D14/250  
 D786,852 S \* 5/2017 Kim ..... D14/250  
 D786,854 S \* 5/2017 Kim ..... D14/250  
 D787,492 S \* 5/2017 Kim ..... D14/250  
 D788,090 S \* 5/2017 Kim ..... D14/250  
 D788,760 S \* 6/2017 Kim ..... D14/250  
 D789,344 S \* 6/2017 Kim ..... D14/250  
 D791,116 S \* 7/2017 Kim ..... D14/250  
 D792,394 S 7/2017 Lee et al.  
 D796,497 S \* 9/2017 Kim ..... D14/250  
 D798,284 S \* 9/2017 Kim ..... D14/250

D806,063 S \* 12/2017 Kim ..... D14/250  
 D808,375 S \* 1/2018 Kim ..... D14/250  
 D808,944 S \* 1/2018 Kim ..... D14/250  
 D819,012 S \* 5/2018 Kim ..... D14/250  
 D819,013 S \* 5/2018 Kim ..... D14/250  
 D819,014 S \* 5/2018 Kim ..... D14/250  
 D820,819 S \* 6/2018 Kim ..... D14/250  
 2011/0050606 A1 3/2011 Zhang  
 2015/0335116 A1 11/2015 Kim  
 2016/0374443 A1\* 12/2016 Kim ..... A45C 11/182  
 206/38  
 2017/0150792 A1\* 6/2017 Kim ..... B08B 3/022  
 2017/0155418 A1\* 6/2017 Kim ..... H04B 1/3888  
 2017/0230072 A1\* 8/2017 Kim ..... H04B 1/3888

OTHER PUBLICATIONS

“Galaxy S6 Edge Case Slim Armor,” [https://www.amazon.com/Spigen%C2%AE-CUSHION-Cushioned-Corners-Protective/dp/B00SV63G38?ie=UTF8&ref=cm\\_cr\\_arp\\_d\\_product\\_top](https://www.amazon.com/Spigen%C2%AE-CUSHION-Cushioned-Corners-Protective/dp/B00SV63G38?ie=UTF8&ref=cm_cr_arp_d_product_top), Downloaded Jul. 21, 2016, 9Pages.  
 “Best 10 cases for Samsung Galaxy S6 edge,” <http://www.androidcentral.com/top-6-cases-samsung-galaxy-s6-edge>, Downloaded Jul. 21, 2016, 11Pages.  
 “Spigen Slim Armor iPhone SE / 5S / 5 Case with Advanced Drop Protection and Dual Layer Design for iPhone SE / iPhone 5S / iPhone 5—Metal Slate”, <https://www.amazon.com/dp/B00DD62R40>, Earliest review date of Dec. 14, 2012, Downloaded on Sep. 18, 2018.  
 “Spigen Slim Armor View Galaxy S4 Case with Automatic Sleep / Wake Feature for Galaxy S4 2013—Soul Black”, <https://www.amazon.com/Spigen-Armor-Galaxy-Automatic-Feature/dp/B00DCCVS5Y>, Earliest review date of Mar. 18, 2013, Downloaded on Feb. 19, 2019.  
 “Spigen Slim Armor Nexus 5 Case with Air Cushion Technology and Hybrid Drop Protection for Nexus 5 2013—Infinity White”, <https://www.amazon.com/Spigen-Cushion-Technology-Hybrid-Protection/dp/B00EV8Y7XI>, Earliest review date of Nov. 4, 2013, Downloaded on Jan. 16, 2019.  
 “Spigen Slim Armor View Galaxy S5 Case with Automatic Sleep / Wake Feature for Samsung Galaxy S5 2014—View Smooth White”, <https://www.amazon.com/Spigen-Galaxy-Automatic-Feature-Samsung/dp/B00KGG02EI>, Earliest review date of Jan. 18, 2014, Downloaded on Jan. 16, 2019.

\* cited by examiner

FIG. 1

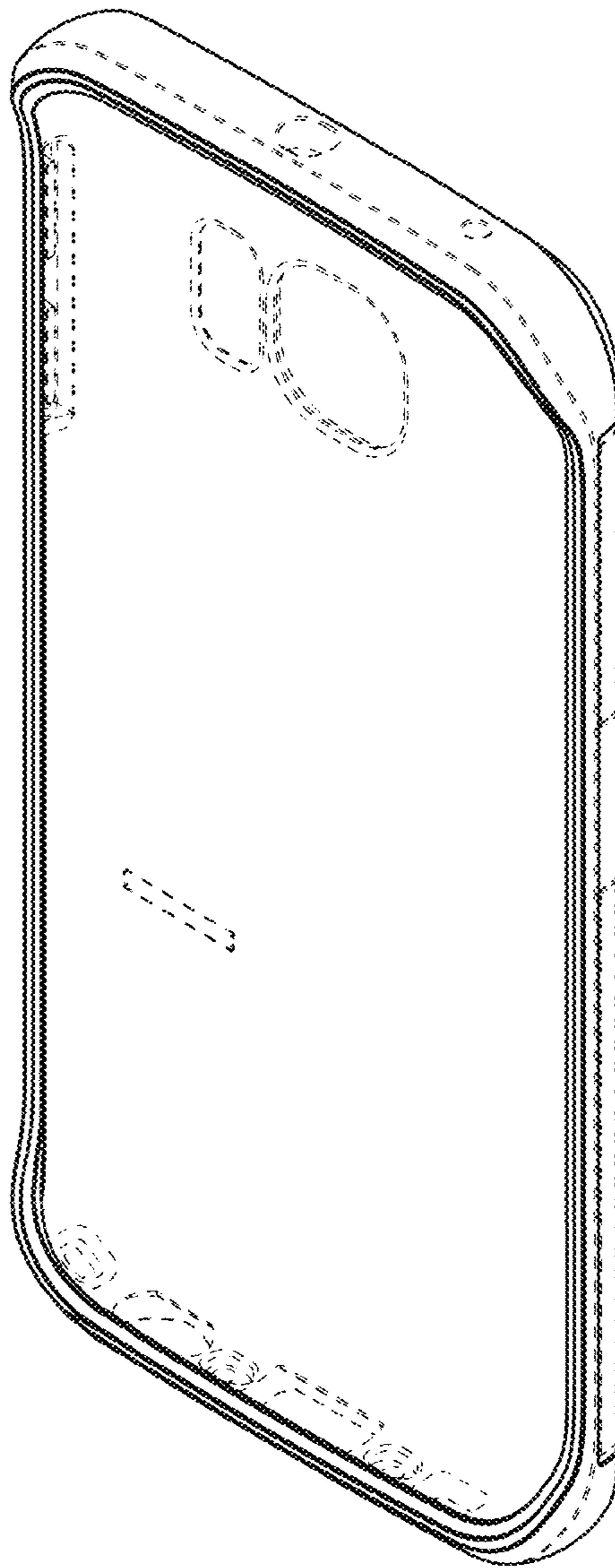


FIG. 2

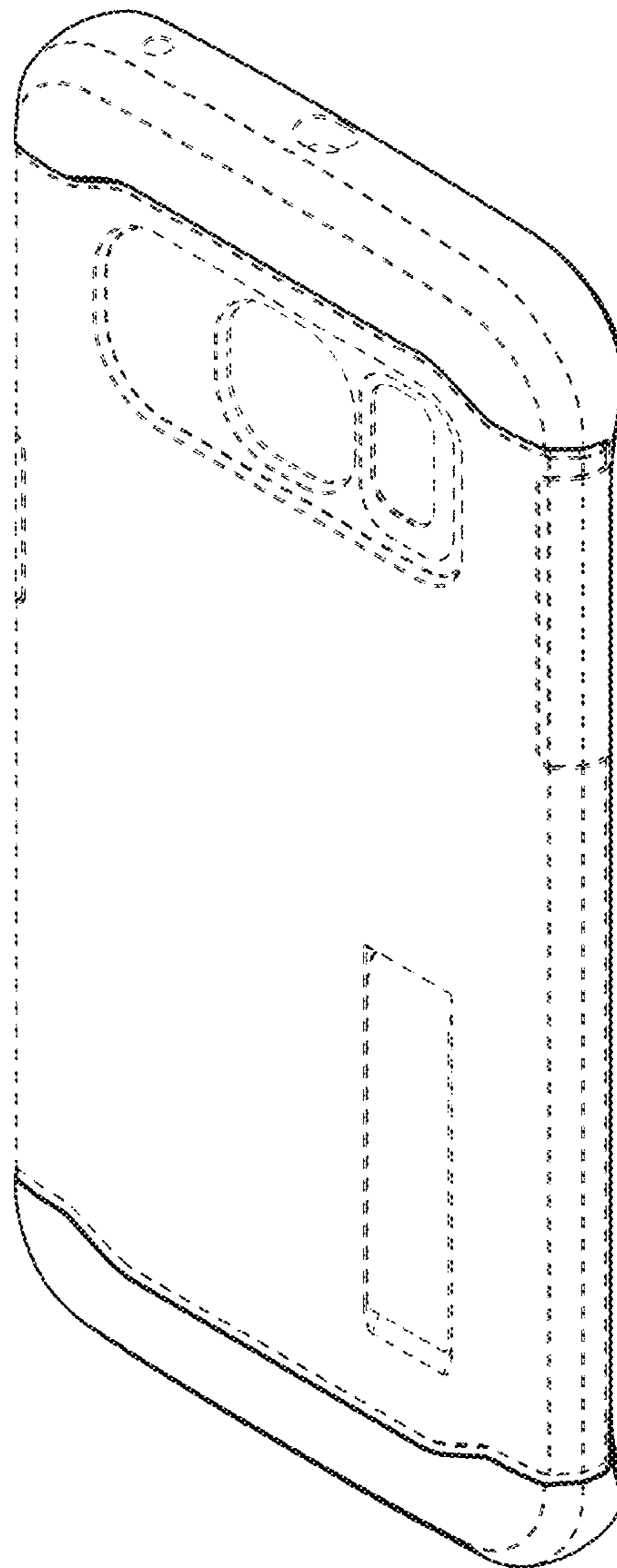


FIG. 3

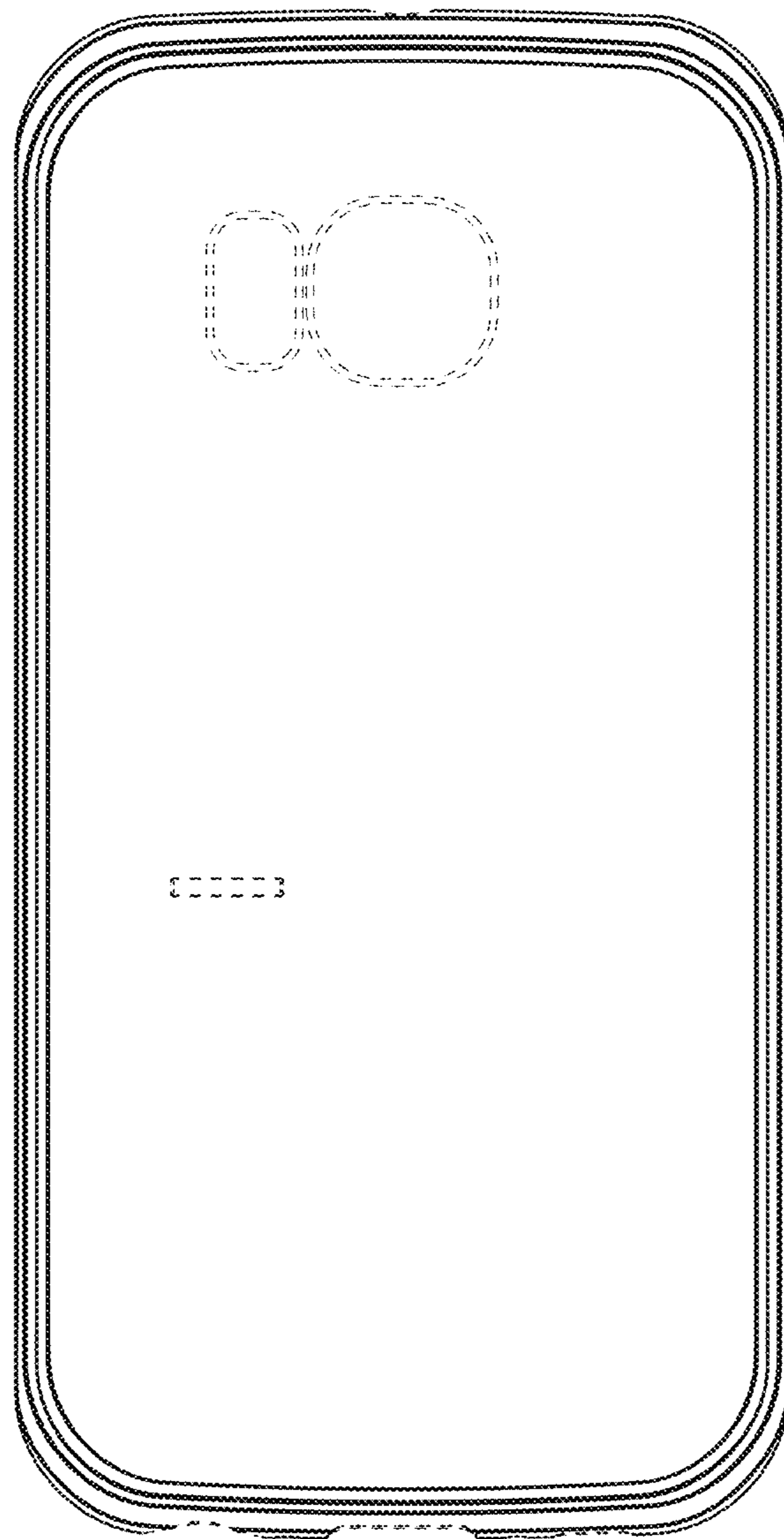


FIG. 4

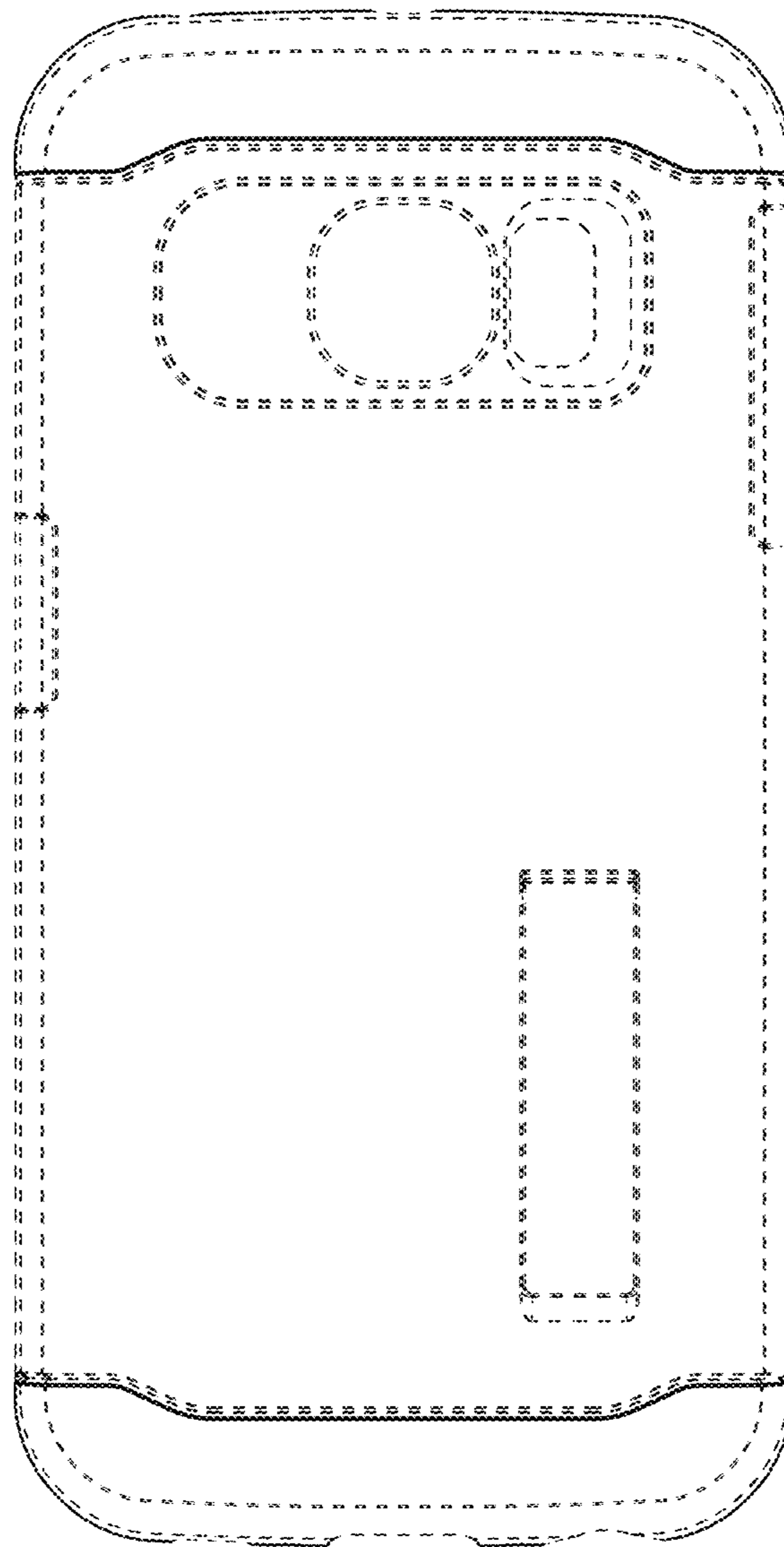


FIG. 5

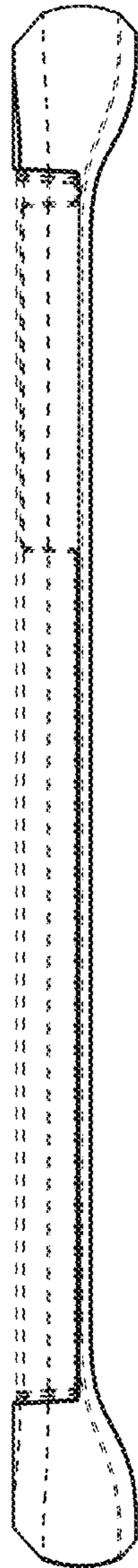


FIG. 6

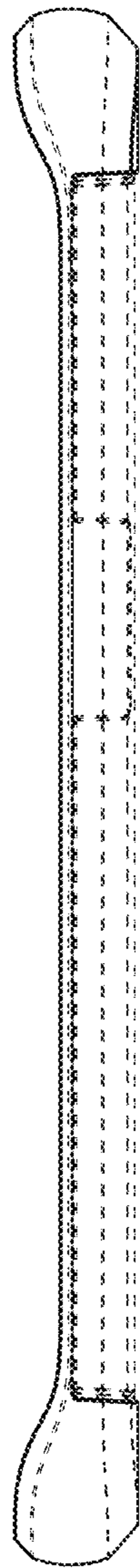




FIG. 7

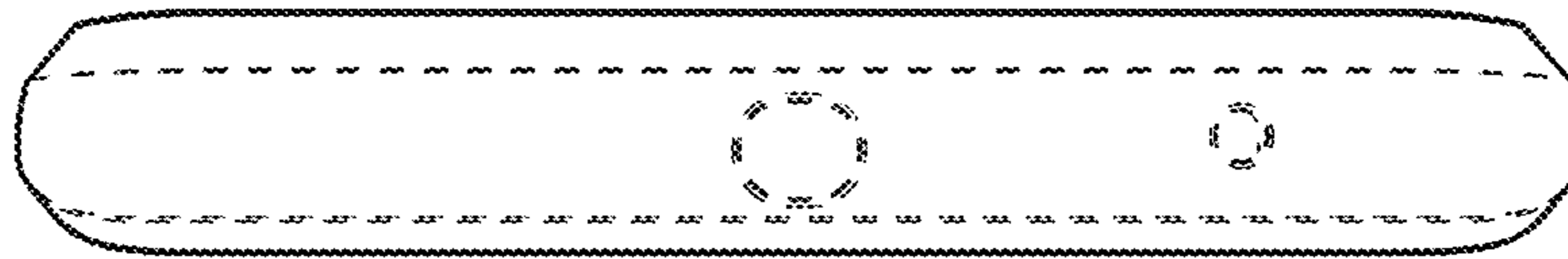


FIG. 8

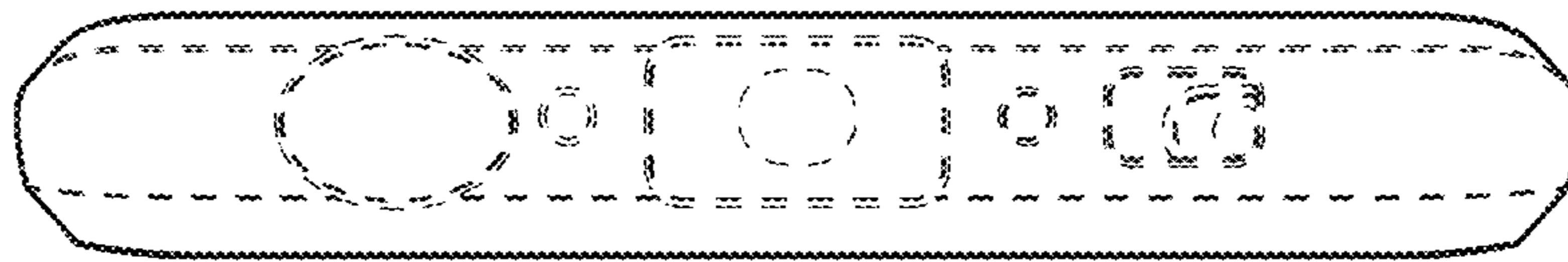


FIG. 9

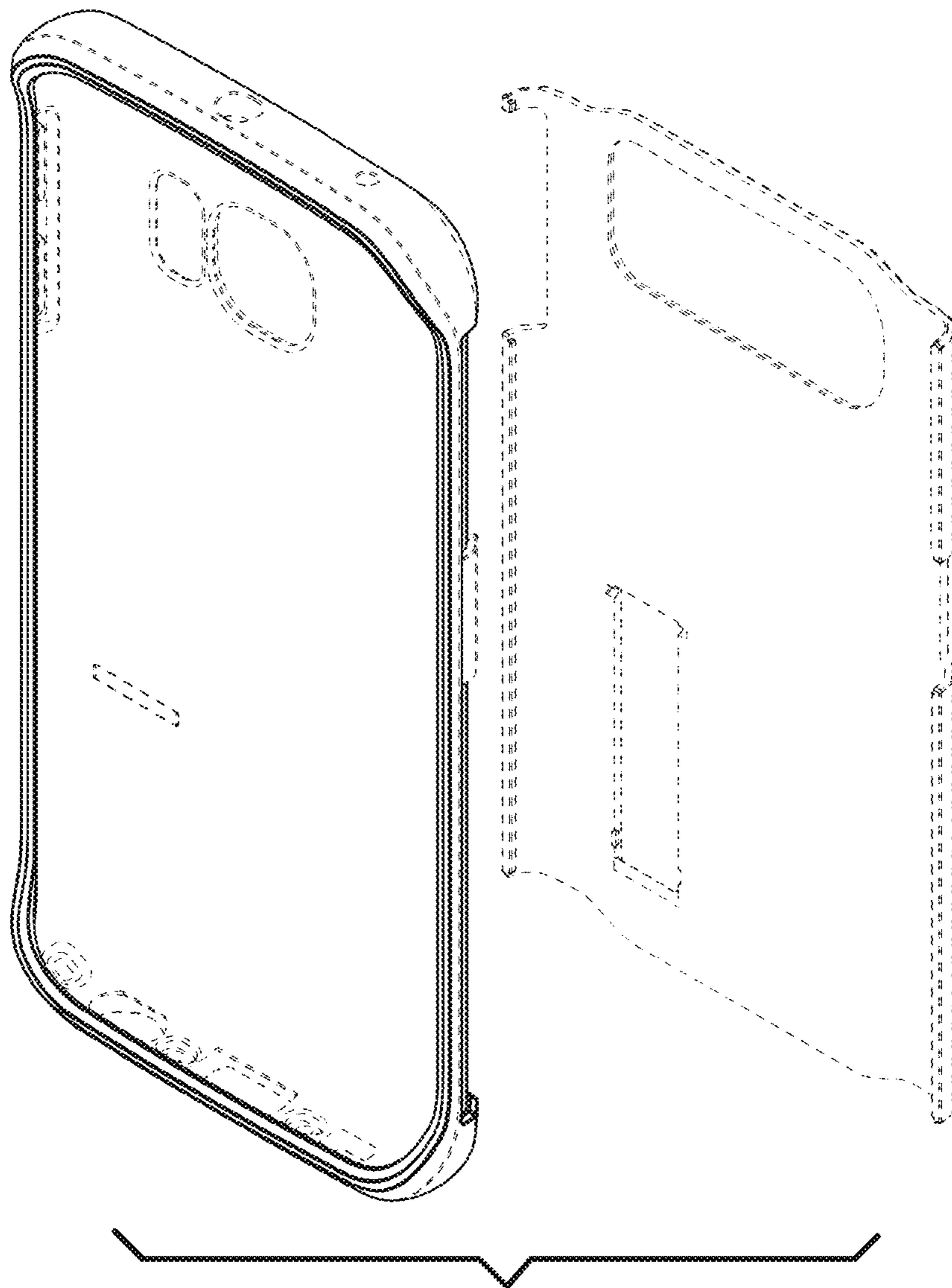


FIG. 10

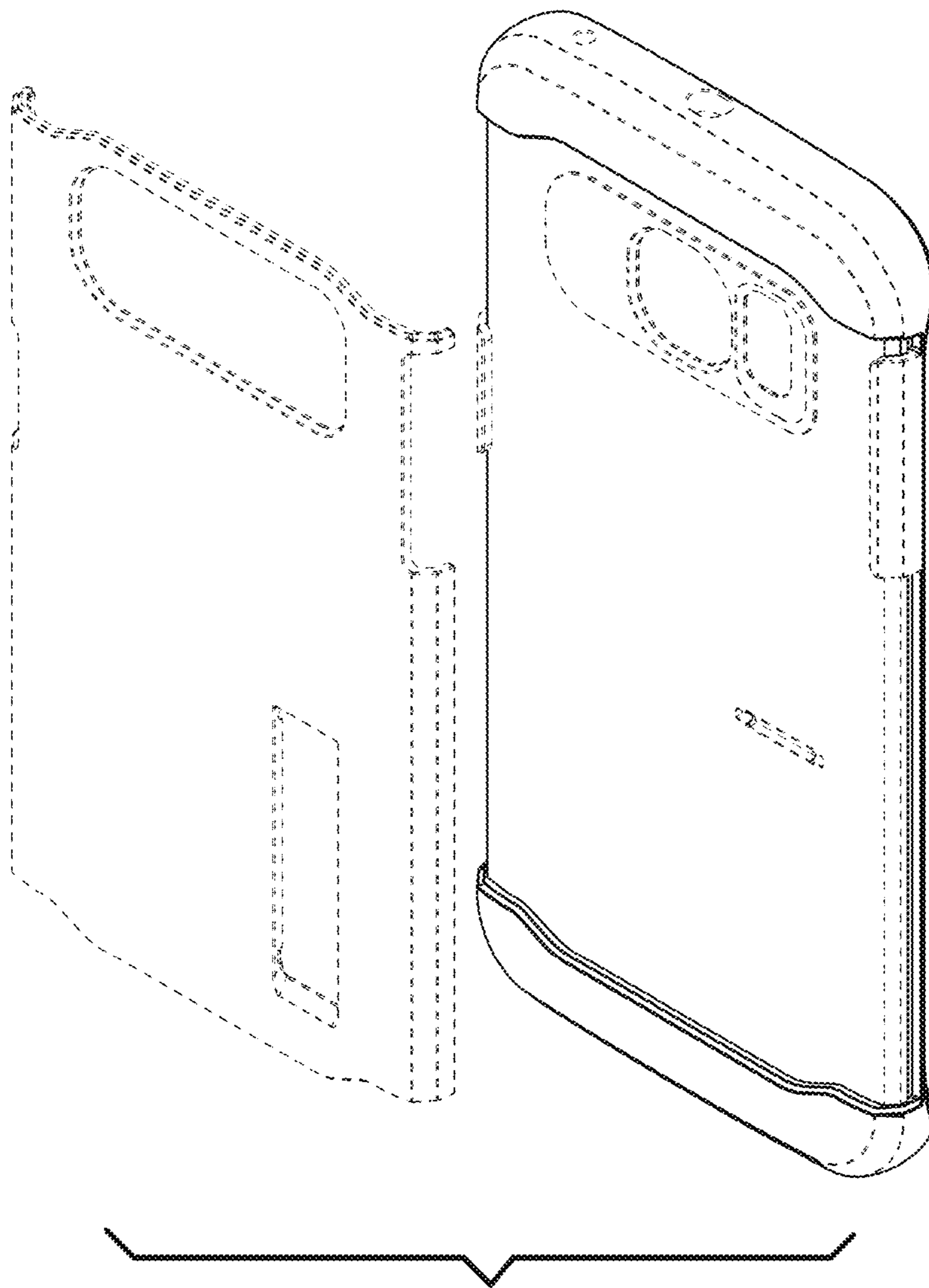


FIG. 11

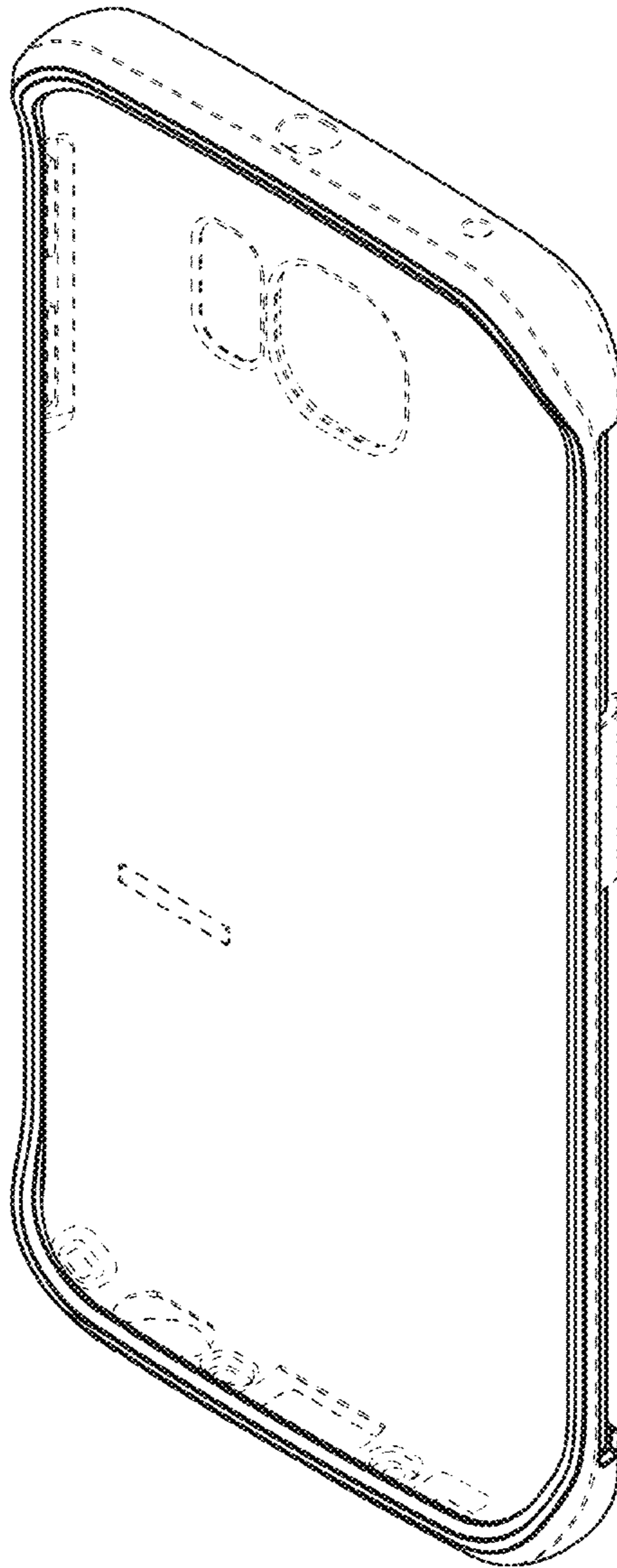


FIG. 12

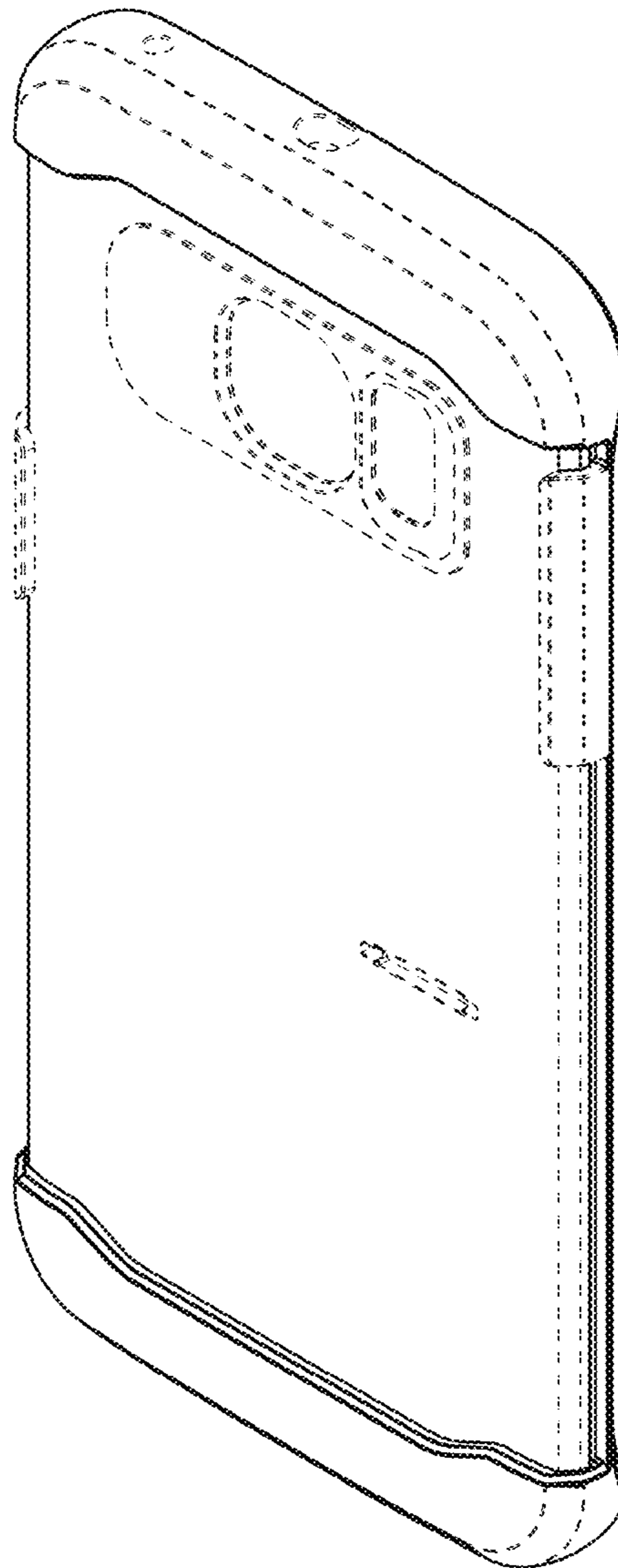


FIG. 13

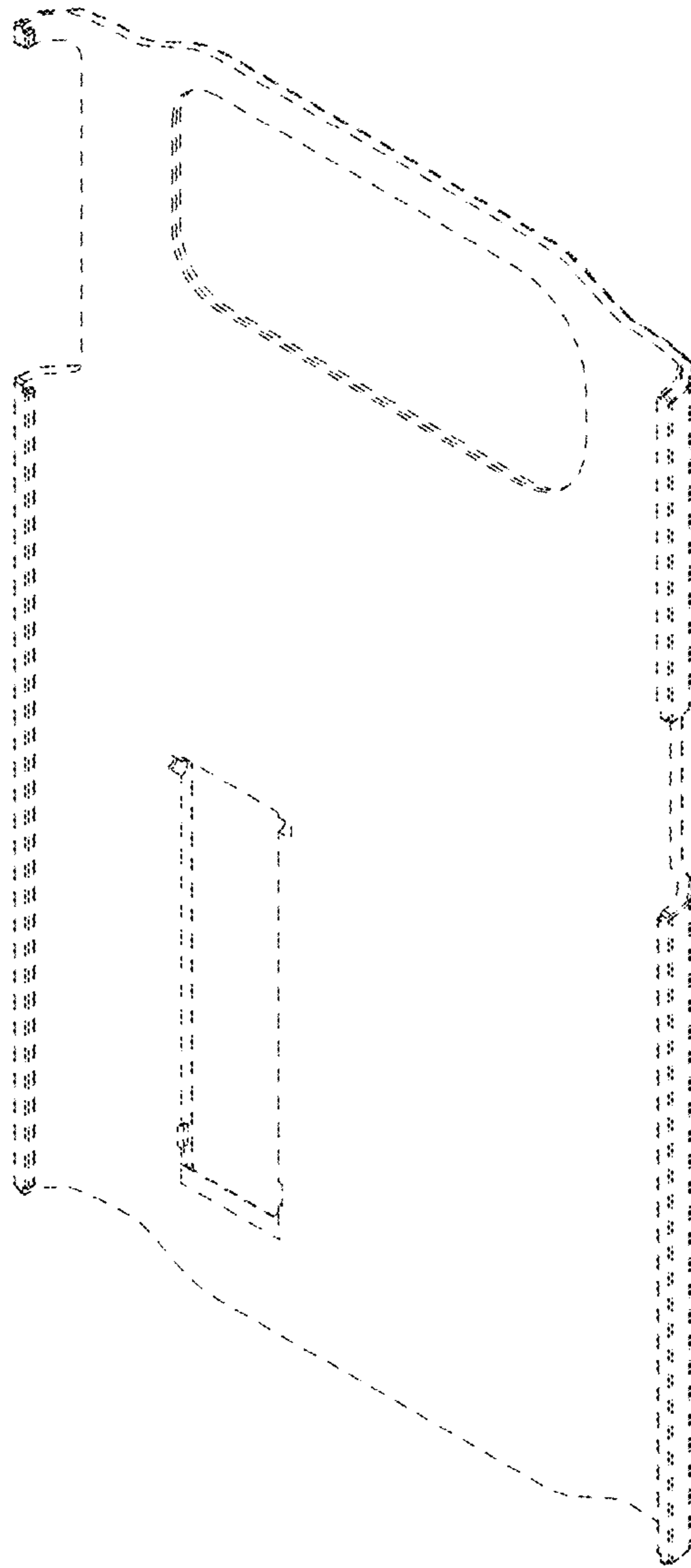


FIG. 14

