



US00D870715S

(12) **United States Design Patent**  
**Yamate**

(10) **Patent No.:** **US D870,715 S**

(45) **Date of Patent:** **\*\* Dec. 24, 2019**

(54) **WIRELESS COMMUNICATION DEVICE**

(71) Applicant: **Roland Corporation**, Shizuoka (JP)

(72) Inventor: **Hiroshi Yamate**, Shizuoka (JP)

(73) Assignee: **Roland Corporation**, Shizuoka (JP)

(\*\*) Term: **15 Years**

(21) Appl. No.: **29/650,467**

(22) Filed: **Jun. 7, 2018**

(51) **LOC (12) Cl.** ..... **14-03**

(52) **U.S. Cl.**  
USPC ..... **D14/240**

(58) **Field of Classification Search**  
USPC ..... D14/140, 140.1, 140.6, 142, 155, 188,  
D14/230–238, 238.1, 240, 125, 356–358,  
D14/496, 299; D13/110, 123, 158, 159,  
D13/184, 199  
CPC ..... H04M 1/00; H04M 1/03; H04M 1/72;  
H04W 88/00; H04W 88/02; H04W 88/08;  
H04W 88/085; H04W 88/18; H04W  
88/16; H04L 69/18; H04L 12/28  
See application file for complete search history.

(56) **References Cited**

**U.S. PATENT DOCUMENTS**

D264,319 S *	5/1982	Guscott	.....	D10/106.6
D339,758 S *	9/1993	Warrington	.....	D10/106.6
D342,250 S *	12/1993	Beaumont	.....	D13/184
D347,004 S *	5/1994	Beaumont	.....	D14/137
D372,896 S *	8/1996	Nagele	.....	D13/103
D419,964 S *	2/2000	Holce	.....	D13/159
D424,028 S *	5/2000	Vaiani	.....	D13/184
D431,534 S *	10/2000	Holce	.....	D13/159
D454,873 S *	3/2002	Clark	.....	D14/358
D475,988 S *	6/2003	Otani	.....	D14/188
D481,379 S *	10/2003	Nagai	.....	D14/240
D486,829 S *	2/2004	Wang	.....	D14/480.5
D565,036 S *	3/2008	Ju	.....	D14/240
D573,985 S *	7/2008	Jeong	.....	D14/240

D616,876 S *	6/2010	MacCormac	.....	D14/240
D622,267 S *	8/2010	Tong	.....	D14/240
D626,949 S *	11/2010	Wahl	.....	D14/240
D627,346 S *	11/2010	Miyazoe	.....	D13/110
D662,091 S *	6/2012	Loponen	.....	D14/240
D671,099 S *	11/2012	Loponen	.....	D14/240
D724,051 S *	3/2015	Nakahira	.....	D13/110
D724,052 S *	3/2015	Nakahira	.....	D14/188

(Continued)

**OTHER PUBLICATIONS**

Wireless communication devices. (Design—© Questel) orbit.com. [online PDF] 26 pgs. Print Dates Range Dec. 12, 2017 through Aug. 26, 2019. [Retrieved on Sep. 2, 2019] <https://sobjprd.questel.fr/export/QPTUJ214/pdf2/b2e43d50-3eb8-4559-8b6a-300d66c3eda8-053205.pdf>.\*

(Continued)

*Primary Examiner* — Marie D. Fast Horse  
(74) *Attorney, Agent, or Firm* — JCIPRNET

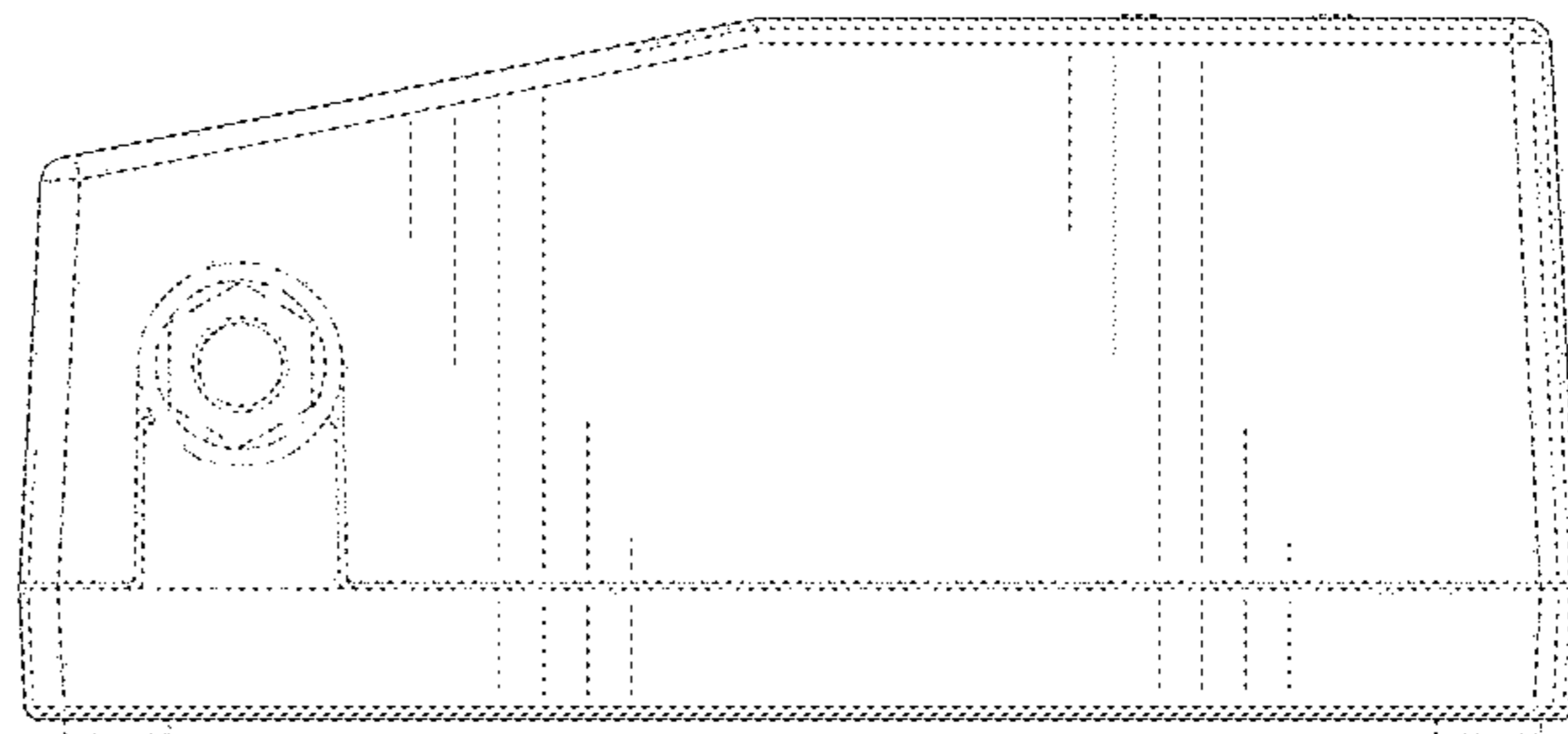
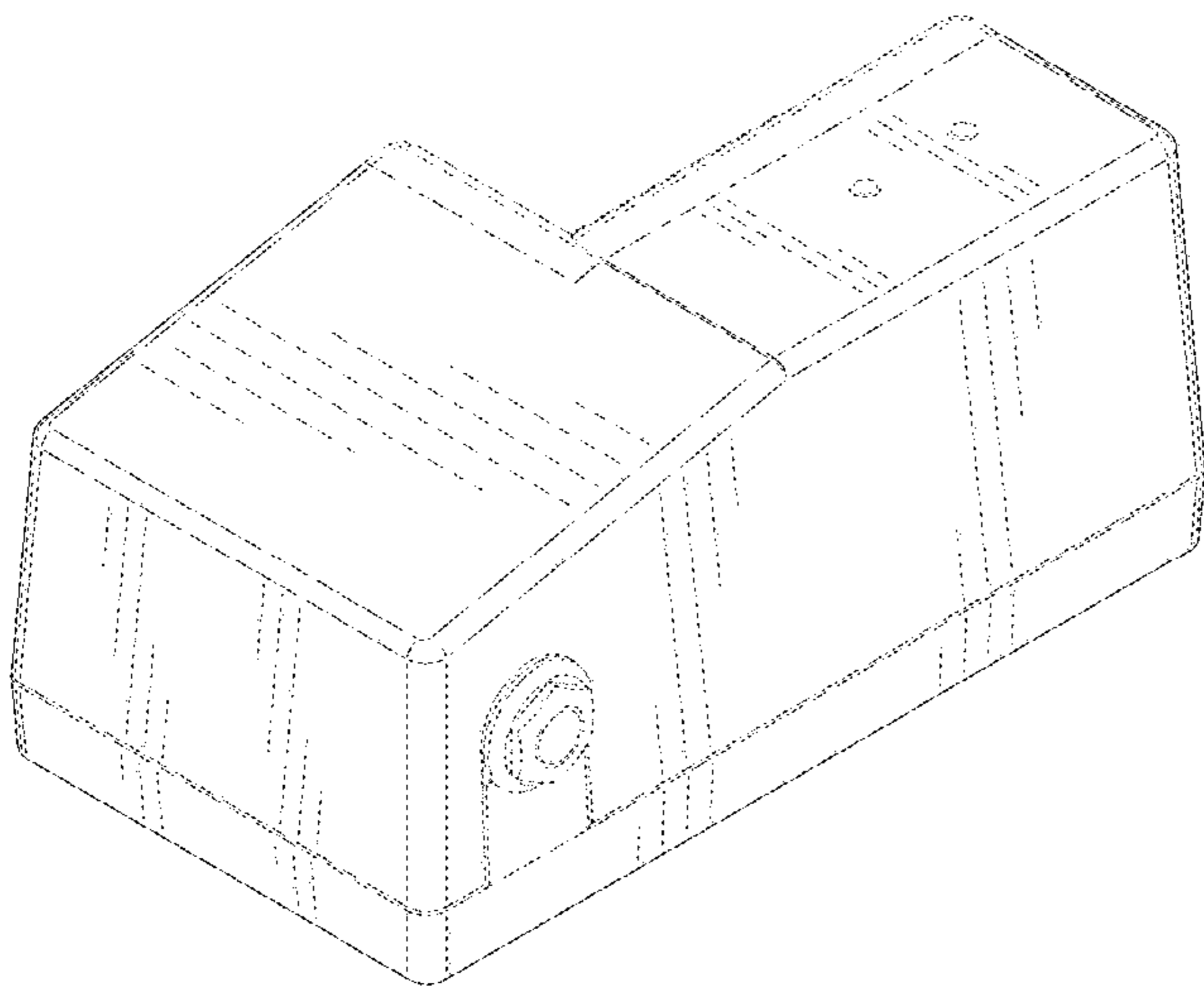
(57) **CLAIM**

The ornamental design for a wireless communication device, as shown and described.

**DESCRIPTION**

FIG. 1 is a perspective view of a wireless communication device showing my new design; FIG. 2 is a front view thereof; FIG. 3 is a rear view thereof; FIG. 4 is a left side view thereof; FIG. 5 is a right side view thereof; FIG. 6 is a top view thereof; and, FIG. 7 is a bottom view thereof. The dot-dashed broken line showing in the views represent boundaries of the claim and form no part of the claimed design. The broken dashed lines depict portions of the wireless communication device that form no part of the claimed design.

**1 Claim, 6 Drawing Sheets**



(56)

**References Cited**

U.S. PATENT DOCUMENTS

D728,540 S *	5/2015	Inoue .....	D14/240
D733,106 S *	6/2015	Frei .....	D14/240
D737,242 S *	8/2015	Nakahira .....	D13/110
D774,003 S *	12/2016	Lee .....	D13/156
D798,296 S *	9/2017	Ali .....	D14/358
D808,356 S *	1/2018	Miller .....	D14/155
D816,071 S *	4/2018	Vuillet .....	D14/240
D821,393 S *	6/2018	Matsumiya .....	D14/358
D836,092 S *	12/2018	Erbacher .....	D14/242
D846,536 S *	4/2019	Ebrahimi Afrouzi .....	D14/230

OTHER PUBLICATIONS

“Office Action of Hague Counterpart Application,” issued on Mar. 1, 2019, with English translation thereof, p1-p7.

\* cited by examiner

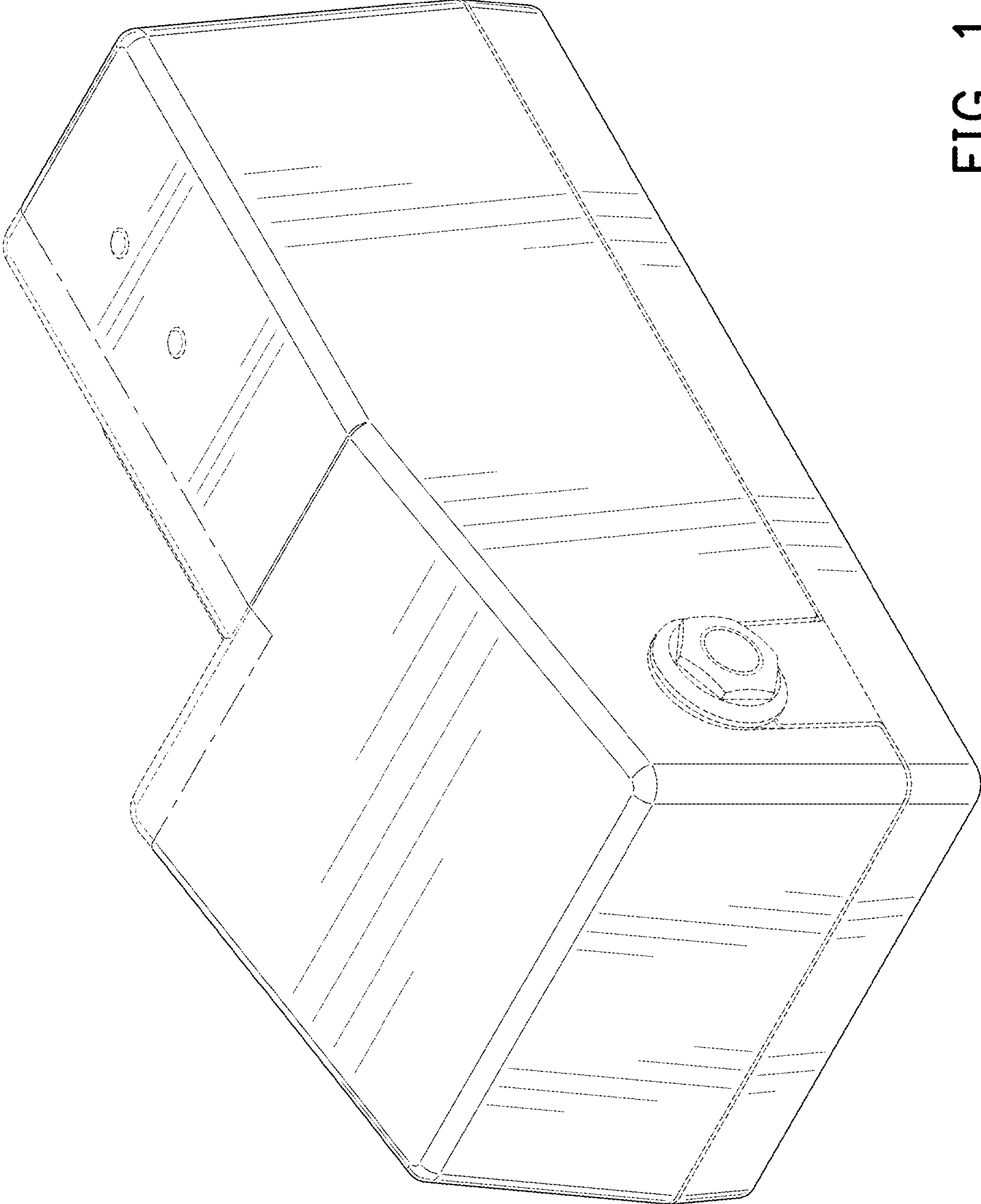


FIG. 1

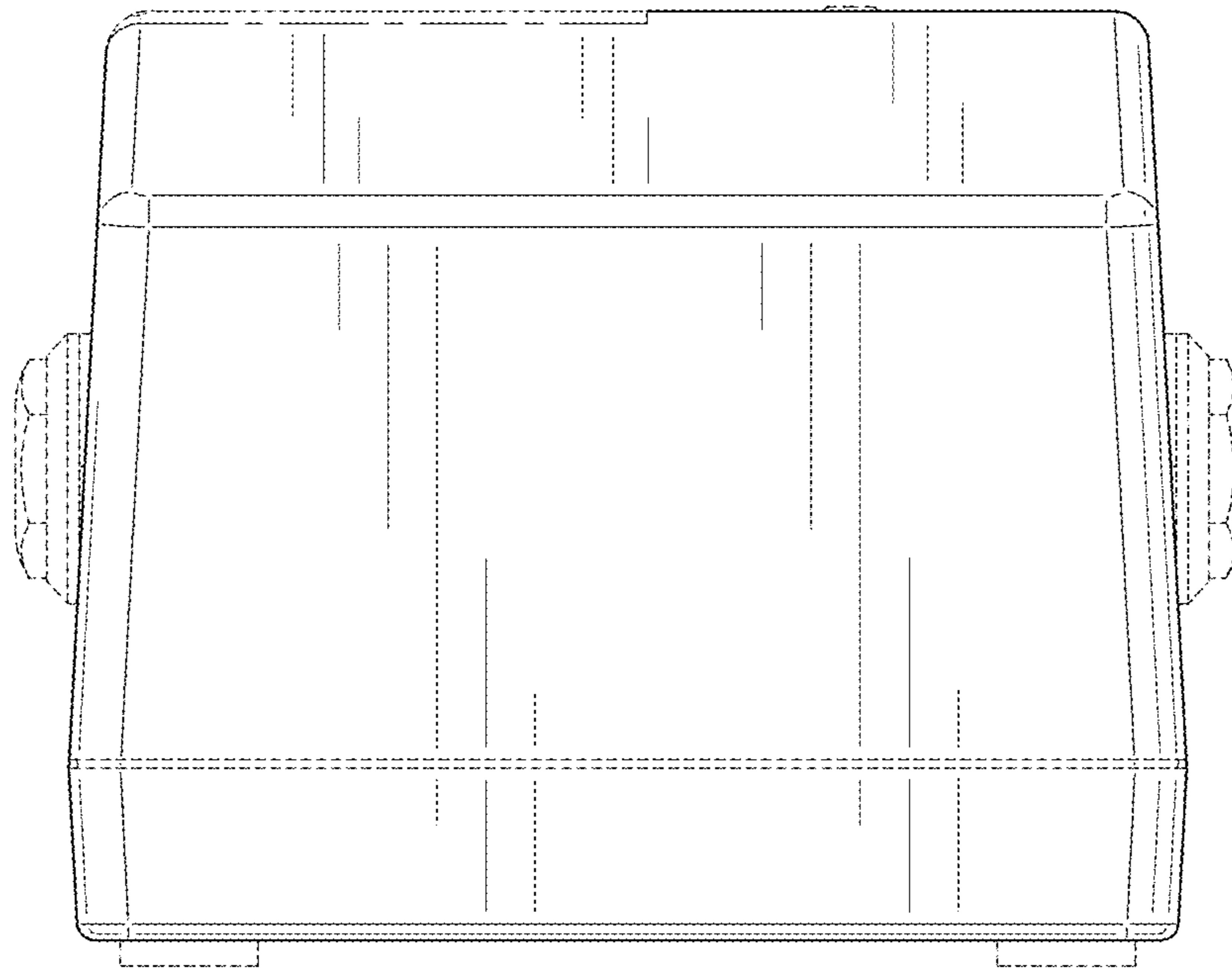


FIG. 2

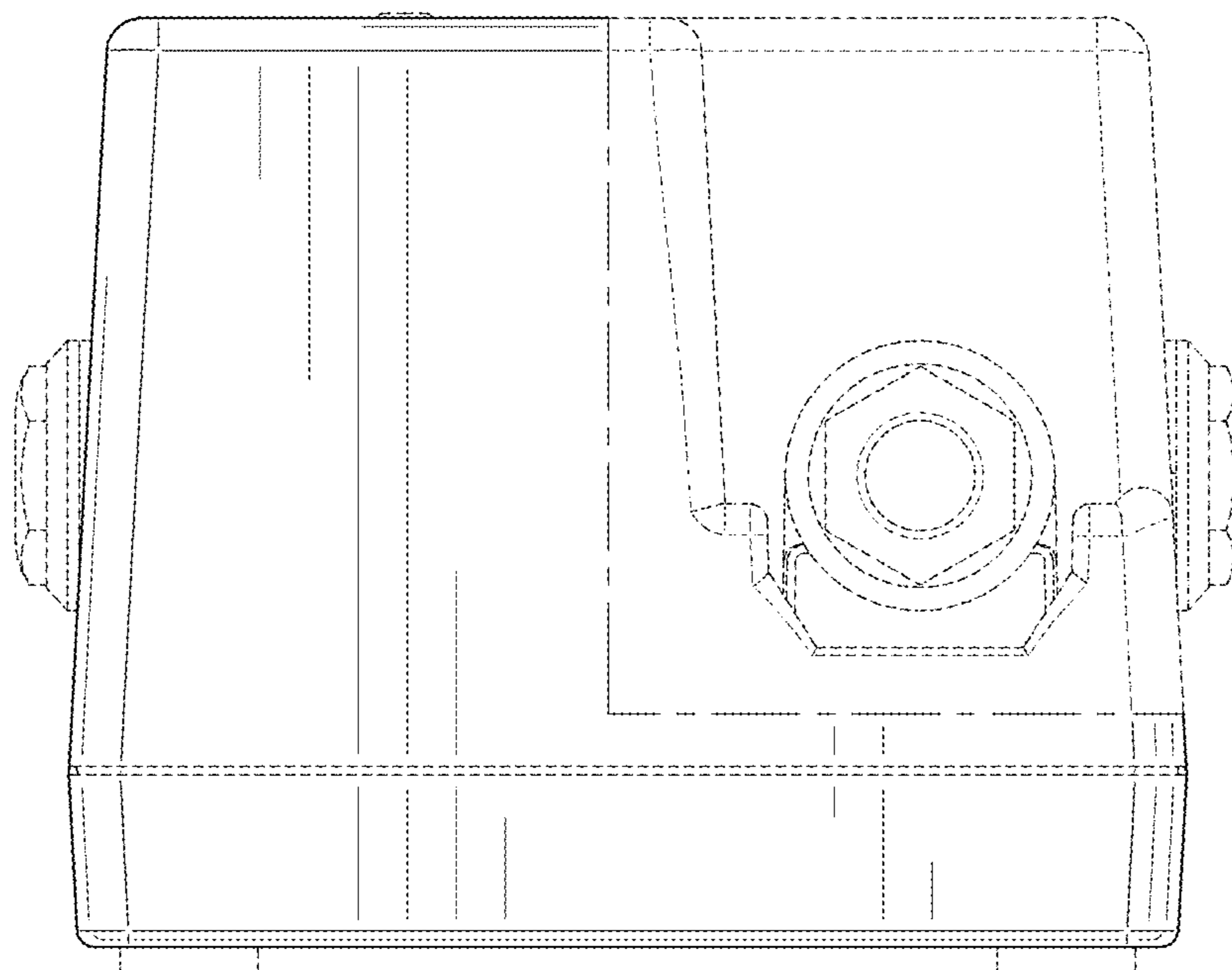


FIG. 3



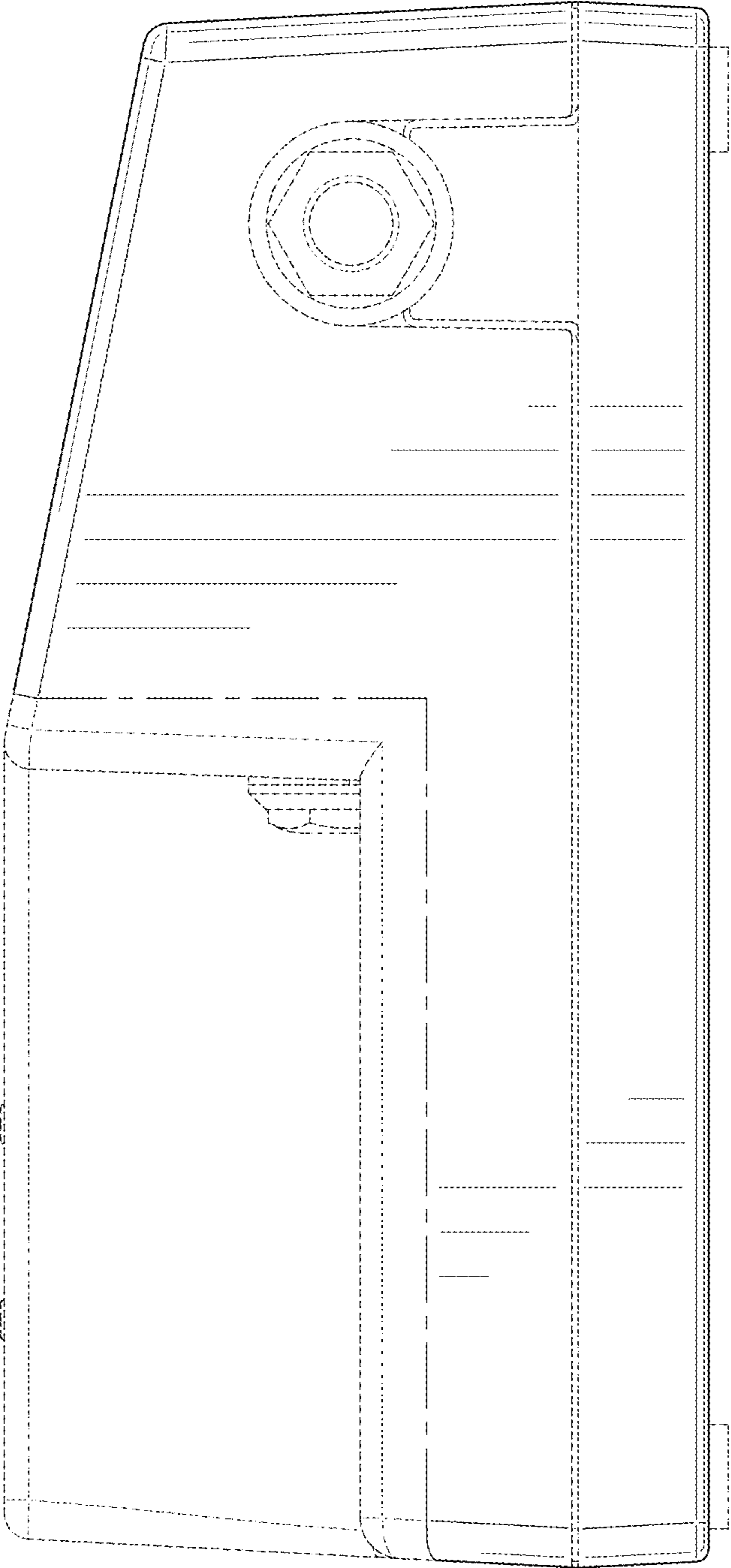


FIG. 4

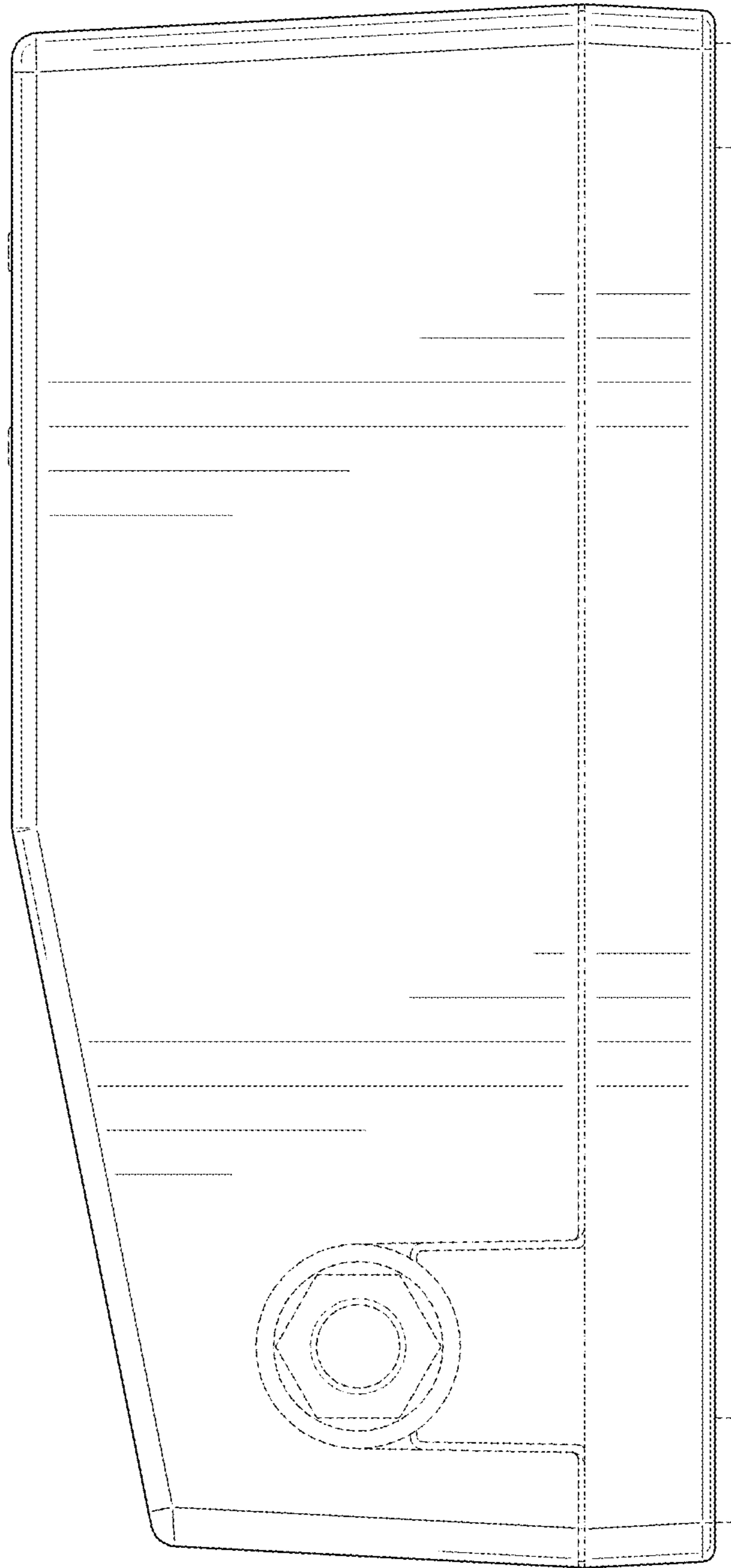


FIG. 5

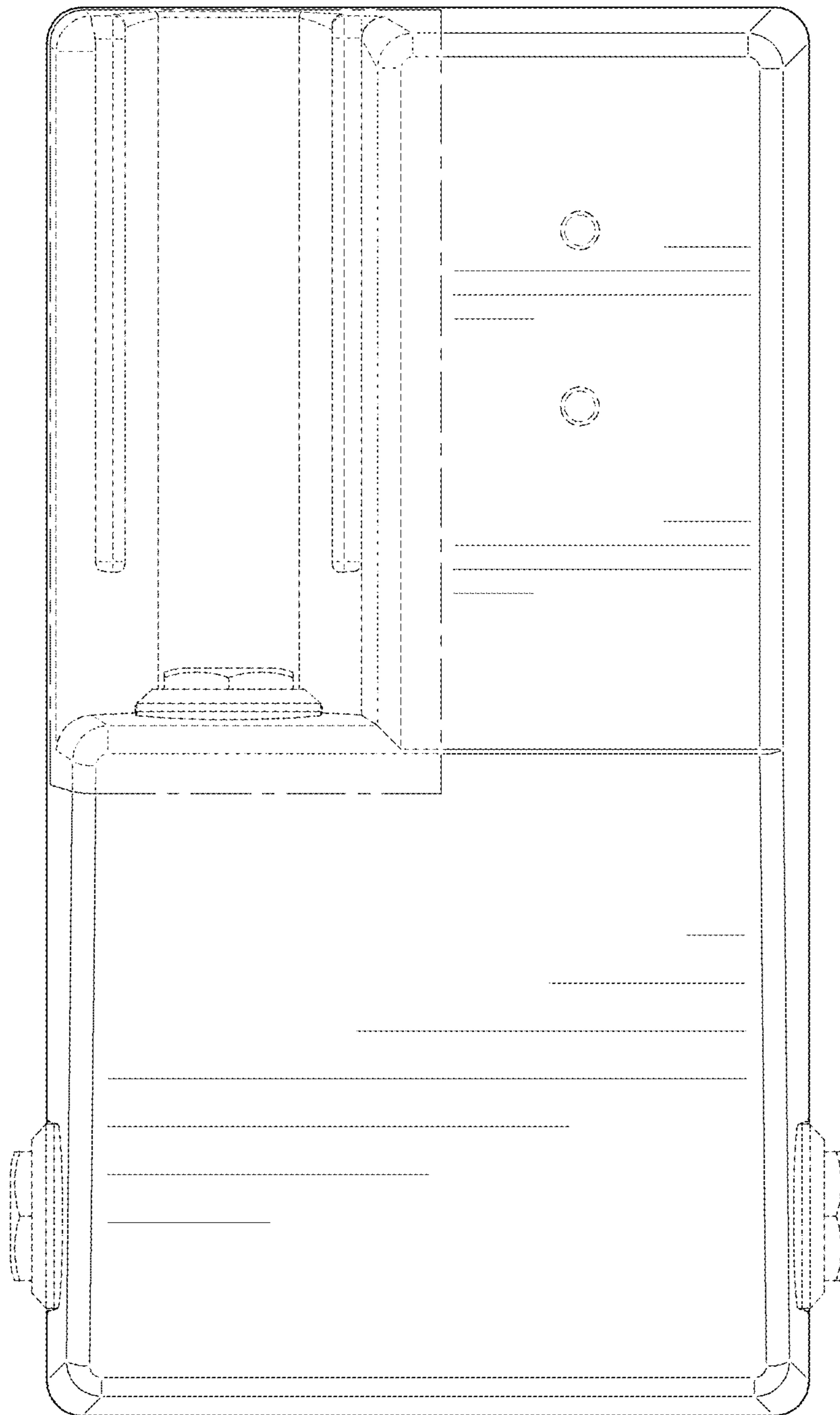


FIG. 6

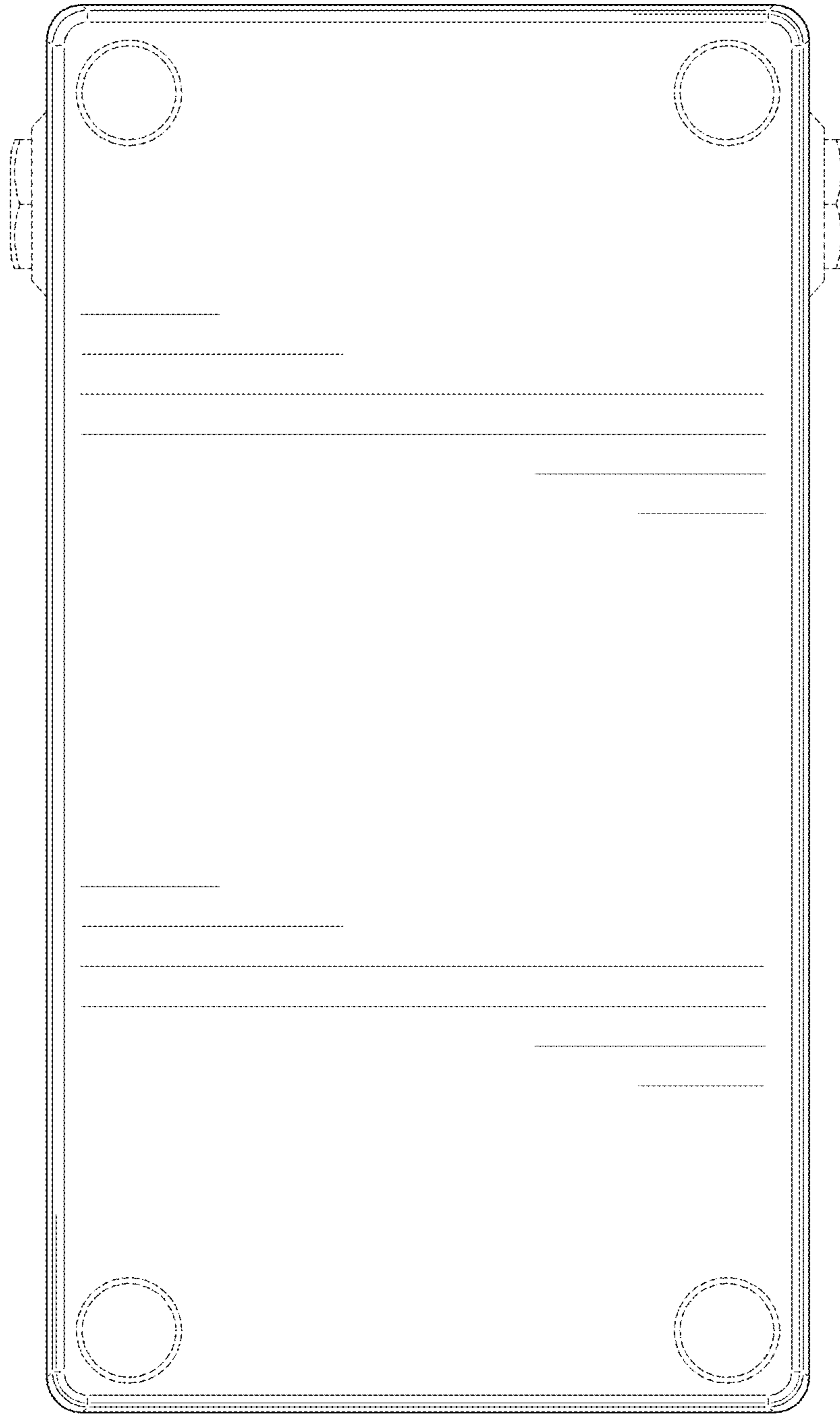


FIG. 7