



US00D870714S

(12) **United States Design Patent**
Bradley

(10) **Patent No.:** **US D870,714 S**

(45) **Date of Patent:** **** Dec. 24, 2019**

(54) **CALL BLOCKING DEVICE**

(71) Applicant: **Call Silencer LLC**, Sudbury, MA (US)

(72) Inventor: **N. Scott Bradley**, Sudbury, MA (US)

(73) Assignee: **Call Silencer LLC**, Sudbury, MA (US)

(**) Term: **15 Years**

(21) Appl. No.: **29/635,299**

(22) Filed: **Jan. 30, 2018**

(51) **LOC (12) Cl.** **14-03**

(52) **U.S. Cl.**

USPC **D14/240**

(58) **Field of Classification Search**

USPC D14/140, 140.7, 141.1, 141.3, 142, 240,
D14/245, 256, 496, 299, 358, 433, 462,
D14/471; D13/123, 133, 137.2, 147, 154,
D13/157

CPC H04M 1/57; H04M 1/571; H04M 1/573;
H04M 1/663

See application file for complete search history.

(56) **References Cited**

U.S. PATENT DOCUMENTS

D150,861 S *	9/1948	Hruska	D14/142
D272,440 S *	1/1984	Morrow	D14/240
4,653,087 A *	3/1987	Galich	H04M 1/82
				379/110.01
4,799,901 A *	1/1989	Pirc	H01R 13/6666
				333/185
5,106,306 A *	4/1992	Ditzig	H01R 39/64
				439/26
D338,885 S *	8/1993	Solomita	D14/141.1
D347,635 S *	6/1994	van Wijnen	D14/140
D352,709 S *	11/1994	Solomita	D14/141.1
D354,953 S *	1/1995	Kazufimi	D14/242
D363,700 S *	10/1995	Buongervino	D13/147
D373,766 S *	9/1996	Solomita	D14/141.2
5,684,274 A *	11/1997	McLeod	H01R 4/70
				174/138 F
D432,092 S *	10/2000	Stebleton	D13/154

(Continued)

OTHER PUBLICATIONS

Call Silencer. callsilencer.com. (online img) 2 pgs. Uploaded as early as Feb. 21, 2019 according to waybackmachine [Retrieved on Aug. 5, 2019] <https://www.callsilencer.com/> IMG URL: https://www.callsilencer.com/uploads/9/8/1/3/98132576/product_1_orig.png.*

(Continued)

Primary Examiner — Marie D. Fast Horse

(74) *Attorney, Agent, or Firm* — Nelson Mullins Riley & Scarborough LLP; Anthony A. Laurentano

(57) **CLAIM**

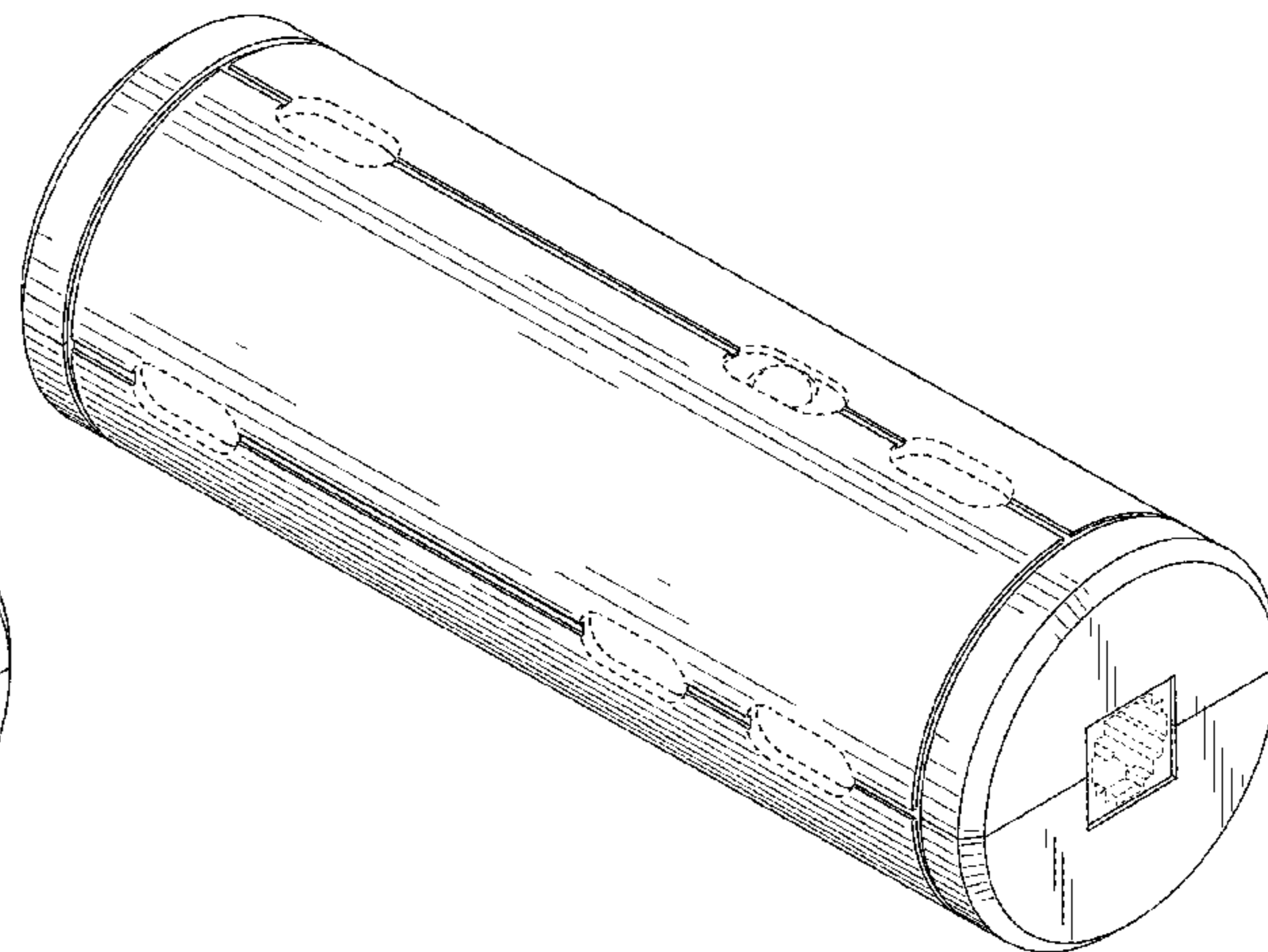
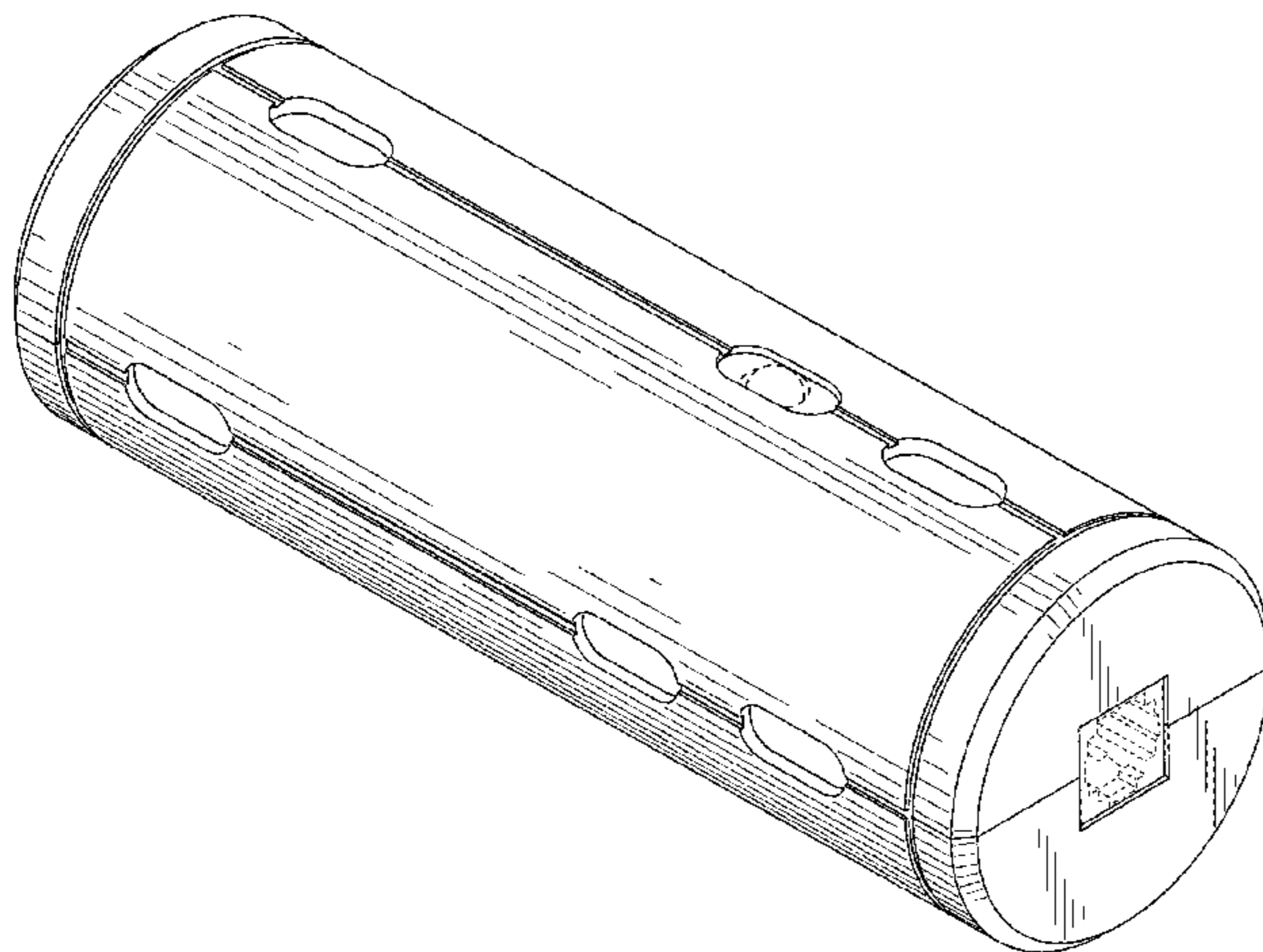
The ornamental design for a call blocking device, as shown and described.

DESCRIPTION

FIG. 1 is a perspective view of a call blocking device, showing a first embodiment of my new design;
FIG. 2 is a top view thereof;
FIG. 3 is a left side view thereof;
FIG. 4 is a bottom view thereof;
FIG. 5 is a right side view thereof;
FIG. 6 is a front view thereof;
FIG. 7 is a rear view thereof;
FIG. 8 is a perspective view of a call blocking device, showing a second embodiment of my new design;
FIG. 9 is a top view thereof;
FIG. 10 is a left side view thereof;
FIG. 11 is a bottom view thereof;
FIG. 12 is a right side view thereof;
FIG. 13 is a front view thereof; and,
FIG. 14 is a rear view thereof.

The broken lines in the drawings depict portions of the call blocking device that form no part of the claimed design.

1 Claim, 12 Drawing Sheets



(56)

References Cited

U.S. PATENT DOCUMENTS

D436,927 S * 1/2001 Hogan D13/147
 D443,859 S * 6/2001 Hogan D13/133
 D445,110 S * 7/2001 MacLeod D14/433
 D449,598 S * 10/2001 Britto D14/240
 D454,873 S * 3/2002 Clark D14/358
 D460,738 S * 7/2002 Chen D13/133
 D464,338 S * 10/2002 Ivy, Jr. D14/141.3
 D465,205 S * 11/2002 Orpilla D13/154
 D471,900 S * 3/2003 Saunders D13/133
 D478,563 S * 8/2003 Brown D13/147
 D480,688 S * 10/2003 Lin D13/147
 D481,011 S * 10/2003 Su D13/147
 D488,149 S * 4/2004 James D14/141.3
 D521,504 S * 5/2006 Nagel D14/240
 D529,034 S * 9/2006 Singer D14/471
 D552,604 S * 10/2007 Andre D14/242
 D554,588 S * 11/2007 Lee D13/147
 D567,185 S * 4/2008 Mayo D13/158
 D571,372 S * 6/2008 Brefka D14/433
 D575,785 S * 8/2008 Chang D14/432
 D578,067 S * 10/2008 Chen D13/123
 D578,068 S * 10/2008 Chen D13/123
 D578,069 S * 10/2008 Chen D13/123
 D608,353 S * 1/2010 Tsai D14/228
 D642,165 S * 7/2011 Kyriakides D14/240
 D662,074 S * 6/2012 Corsini D14/142

D674,785 S * 1/2013 Kyriakides, II D14/240
 8,472,599 B1 * 6/2013 White H04M 1/56
 379/142.02
 D718,288 S * 11/2014 Wang D14/240
 D718,752 S * 12/2014 Wang D14/240
 D723,565 S * 3/2015 Kujawski D14/411
 D733,106 S * 6/2015 Frei D14/240
 D755,183 S * 5/2016 Patel D14/433
 D772,229 S * 11/2016 Petit-Huguenin D14/358
 D782,483 S * 3/2017 Patel D14/433
 D813,213 S * 3/2018 Honda D14/240
 D844,581 S * 4/2019 Zhou D14/142
 D846,538 S * 4/2019 Wild D14/240
 D853,996 S * 7/2019 Wild D14/240
 D854,522 S * 7/2019 Wild D14/240
 2010/0254374 A1 * 10/2010 Fortier H04Q 1/13
 370/352

OTHER PUBLICATIONS

Telezapper tz 900 review. bestgps-2010.blogspot.com. (online) 3 pgs. Posted Sep. 13, 2012 [Retrieved on Aug. 5, 2019] <http://bestgps-2010.blogspot.com/2012/09/telezapper-tz-900-review.html>.
 Telephone Device for Blocking Callers. (Design—© Questel) orbit.com. [online PDF] 2 pgs. Print Dates Jul. 9, 2004. [Retrieved on Aug. 5, 2019] <https://sobjprd.questel.fr/export/QPTUJ214/pdf2/b80424b0-e16f-461f-8400-5c995f8dd17c-160341.pdf>.*

* cited by examiner

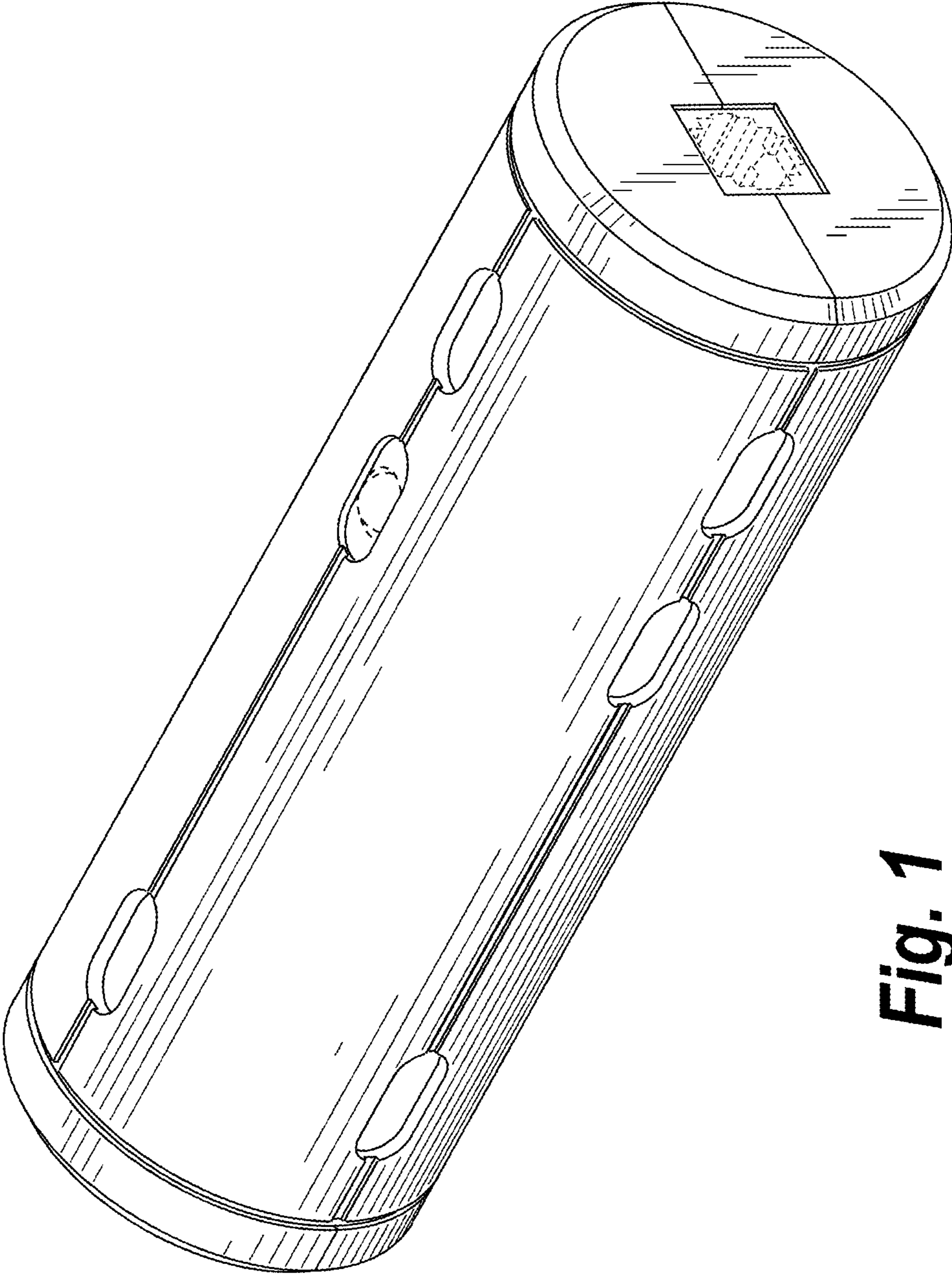


Fig. 1

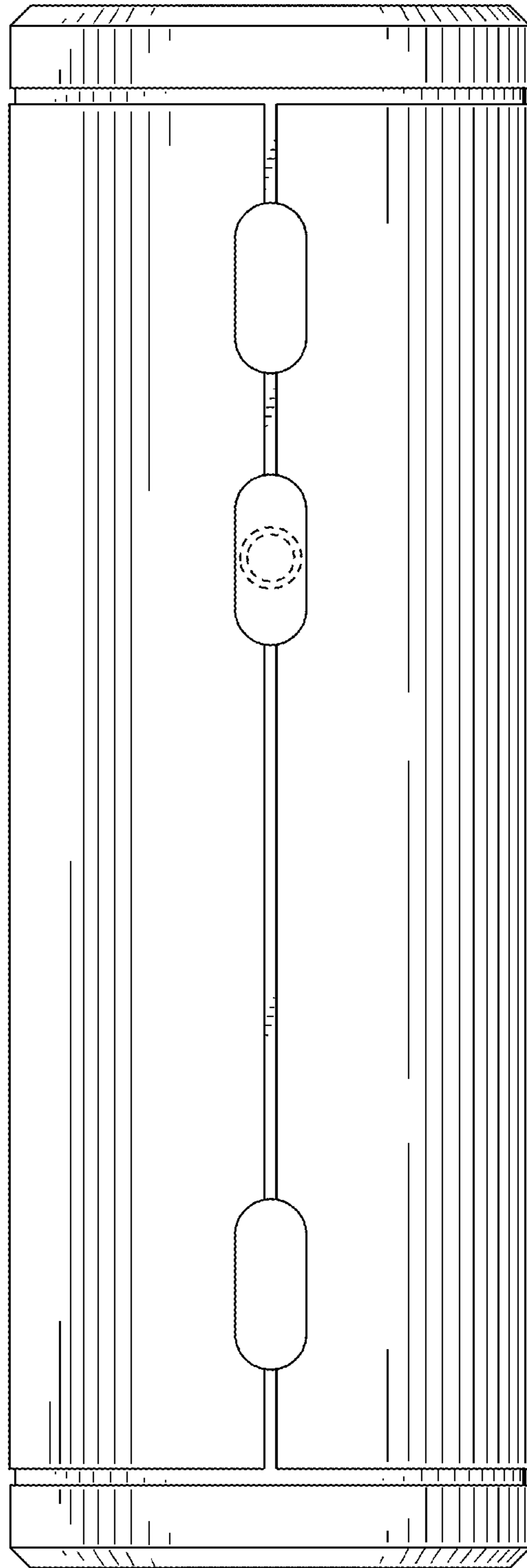


Fig. 2

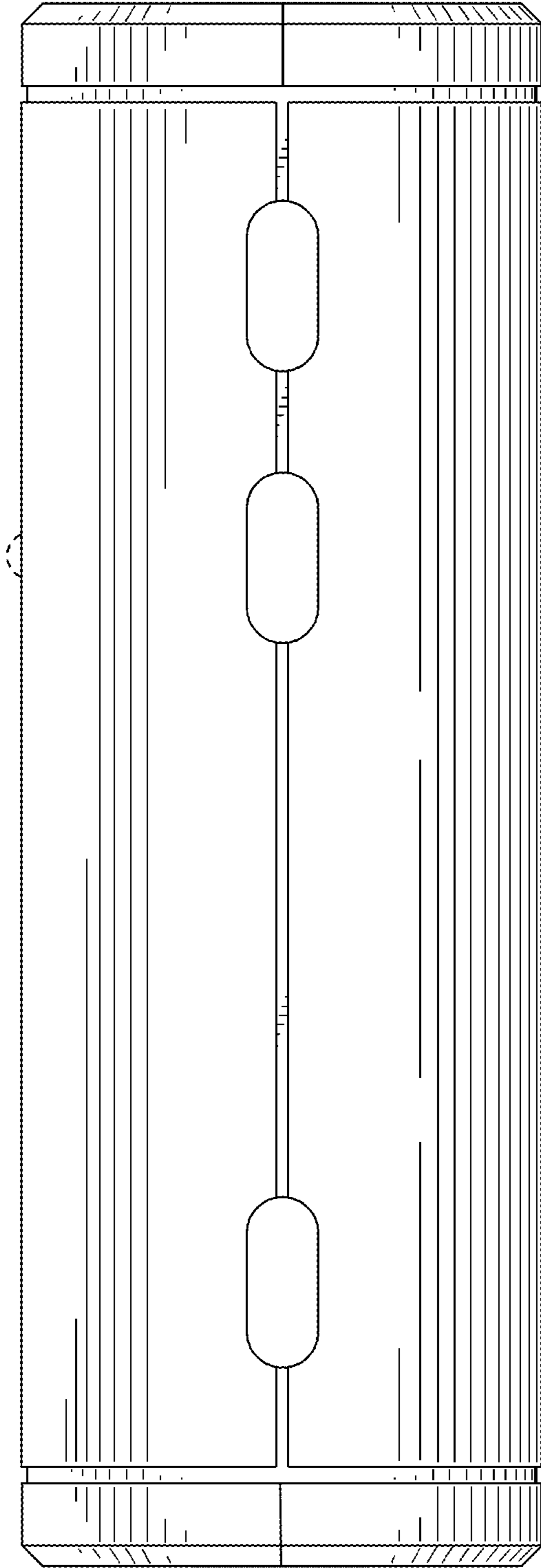


Fig. 3

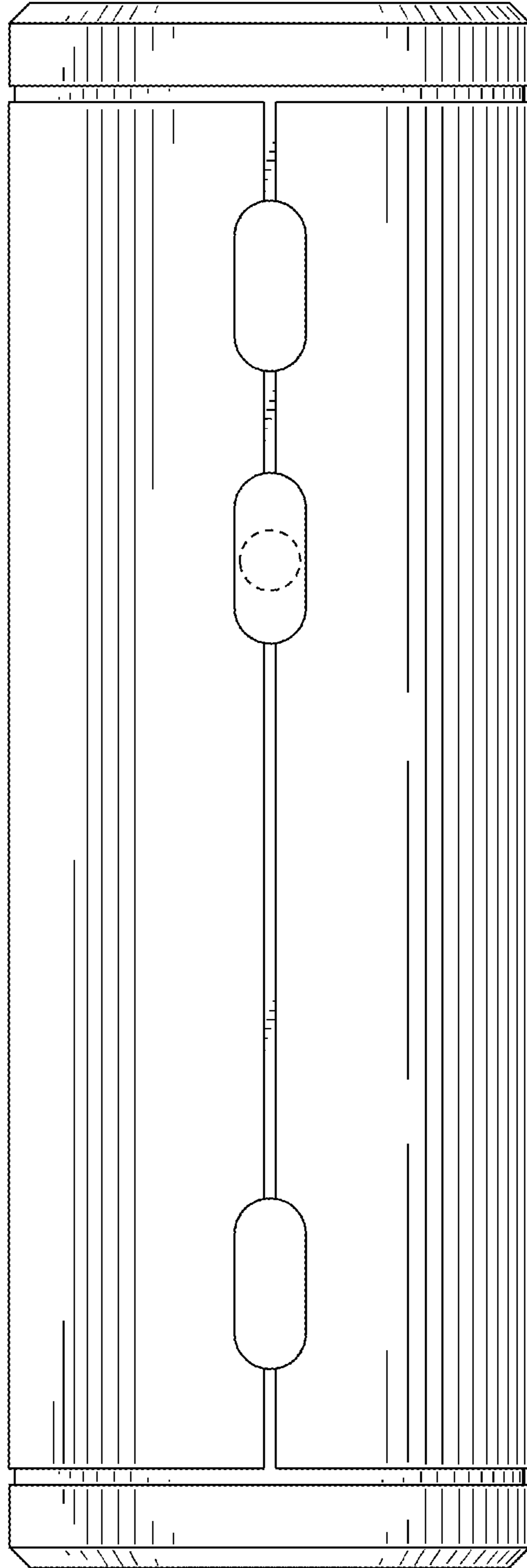


Fig. 4

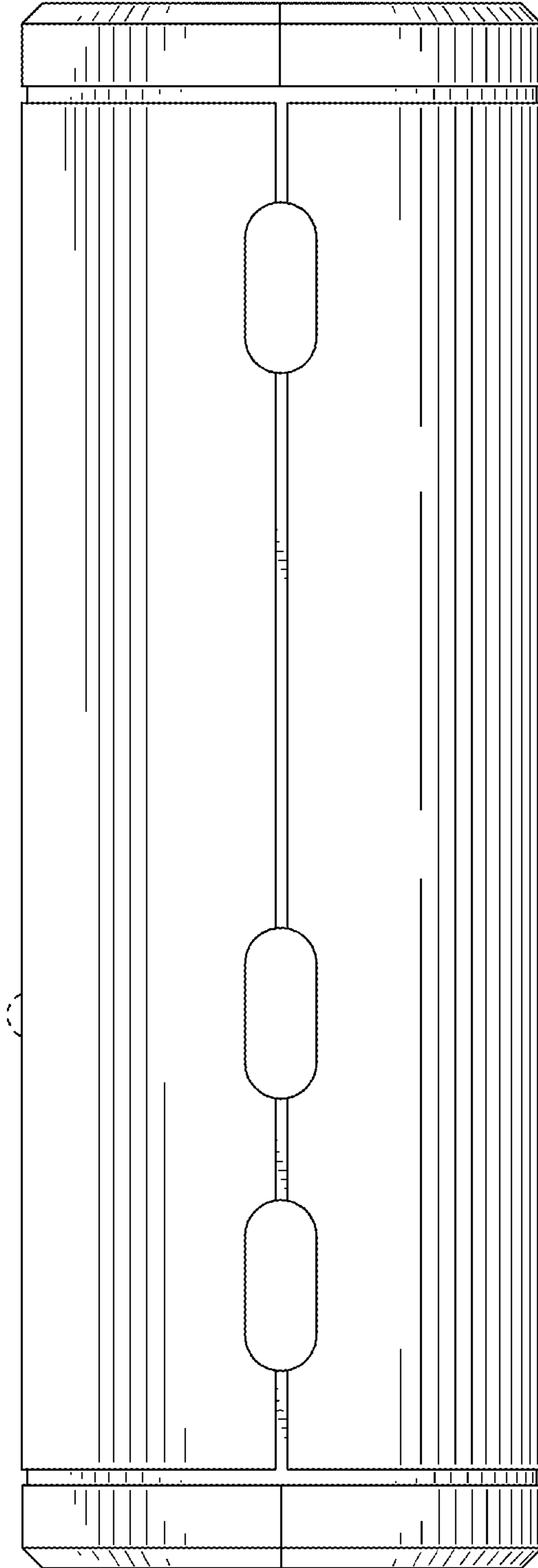


Fig. 5

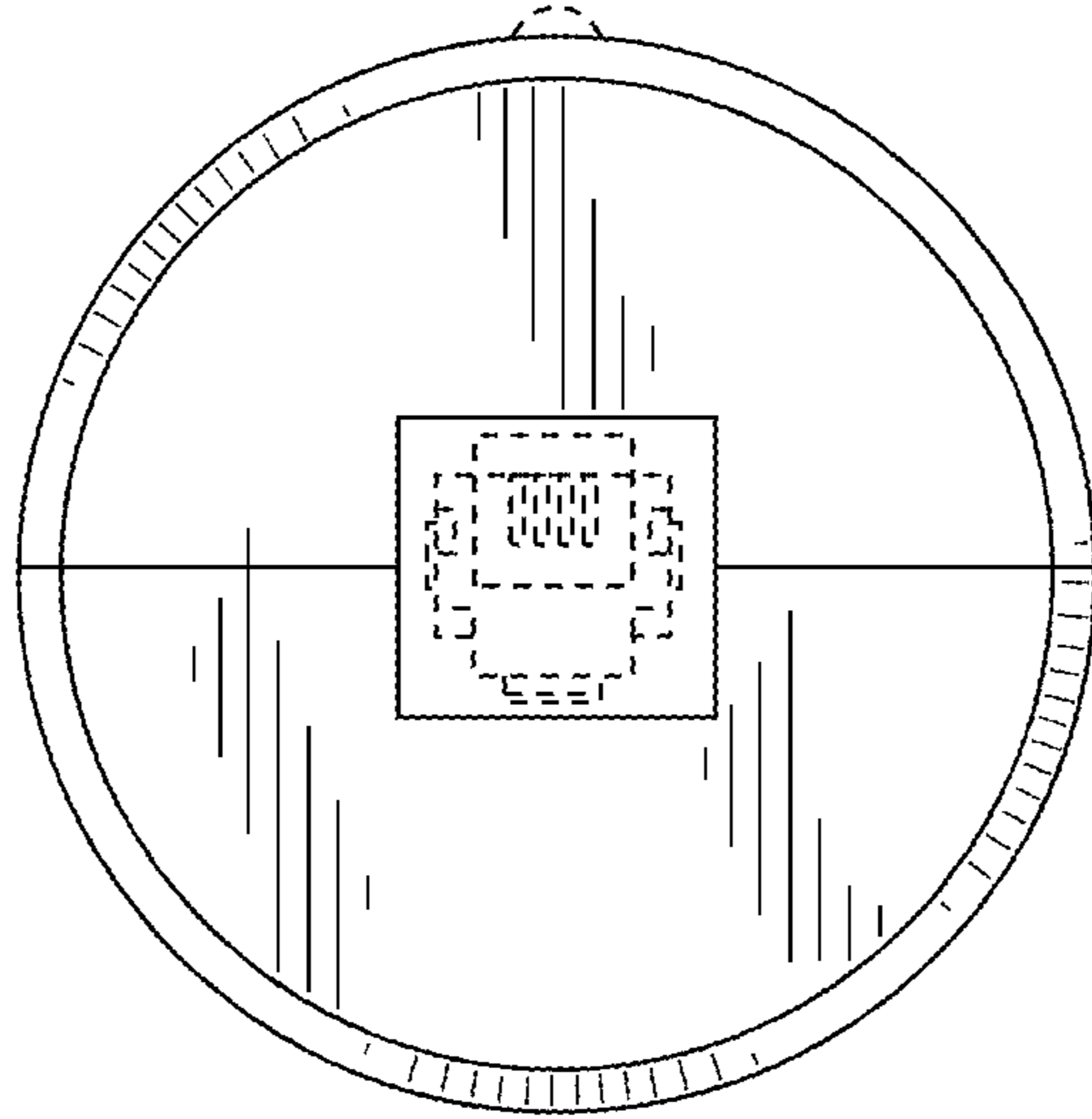


Fig. 6

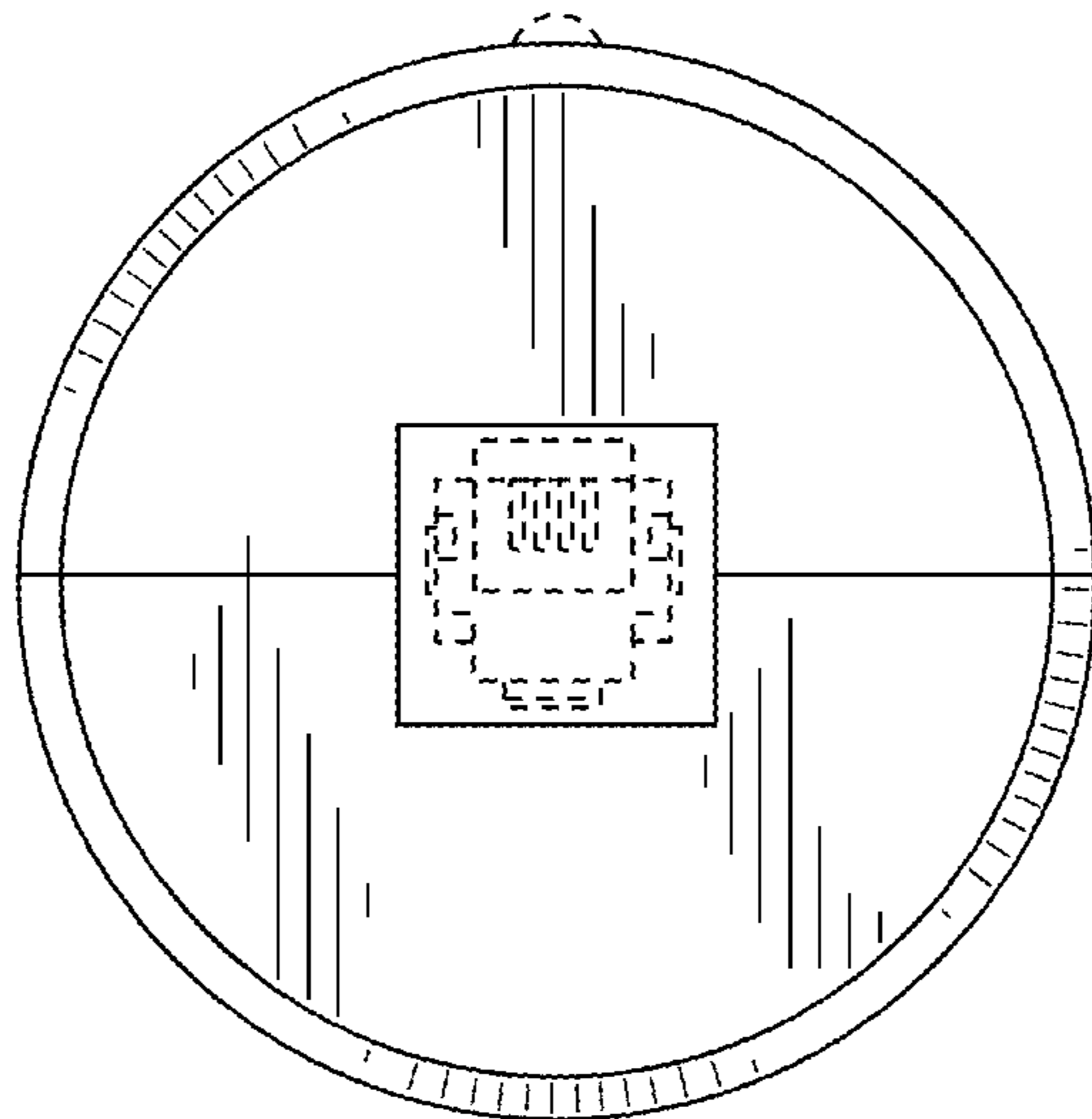


Fig. 7

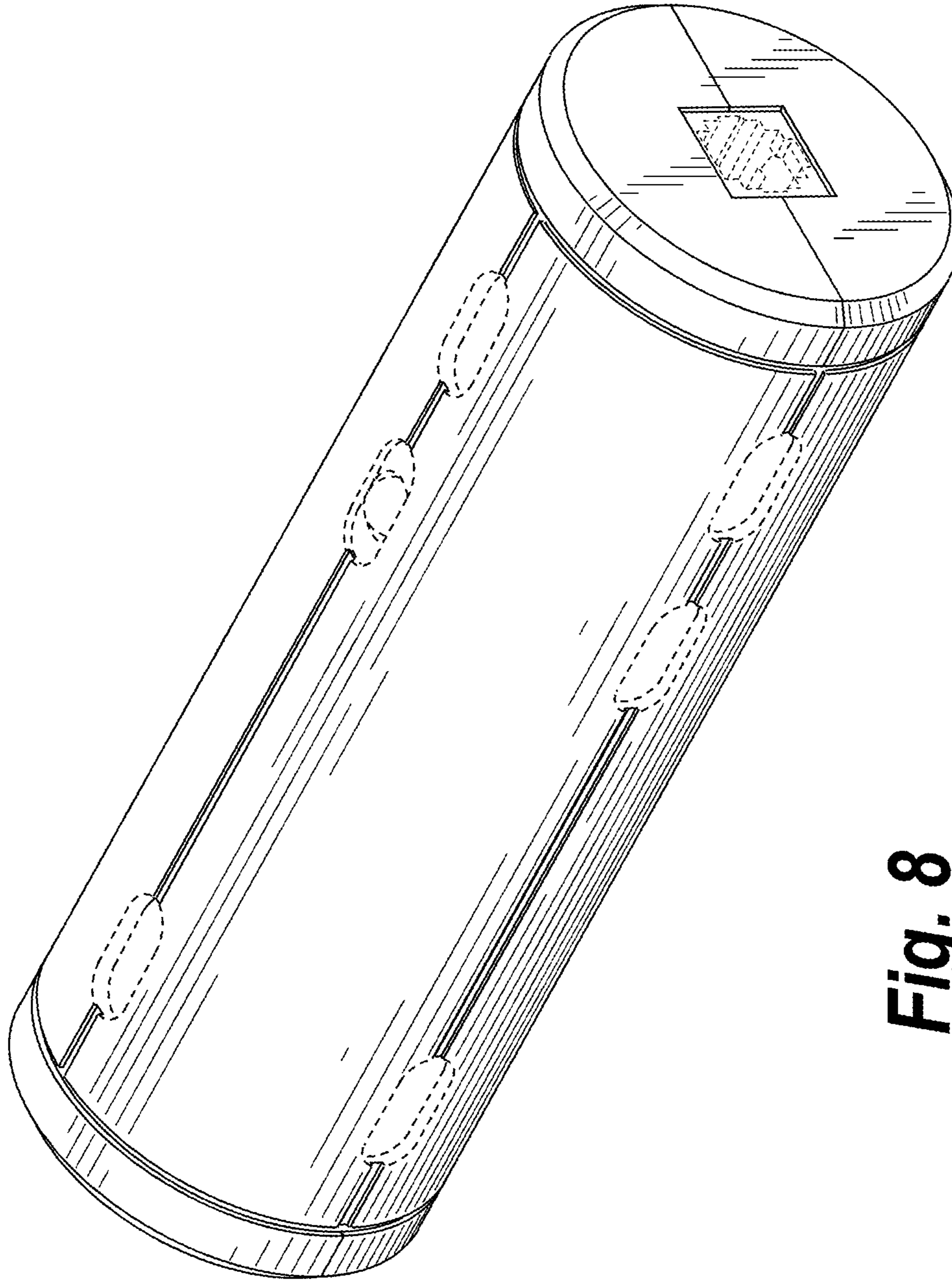


Fig. 8

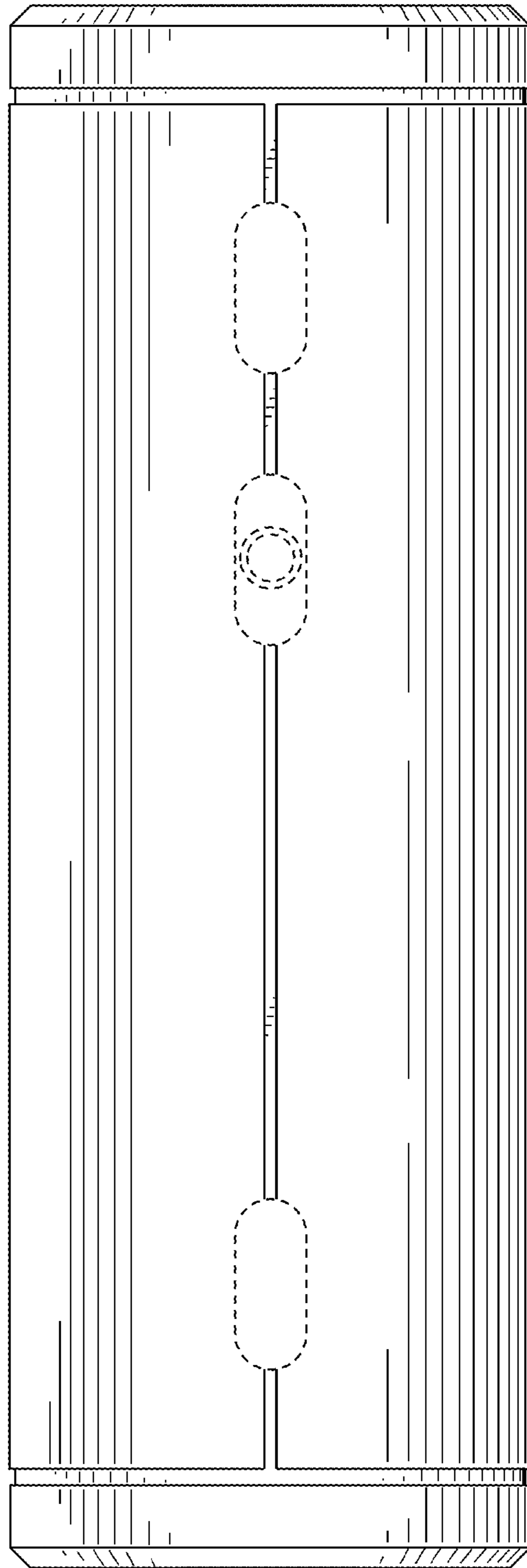


Fig. 9

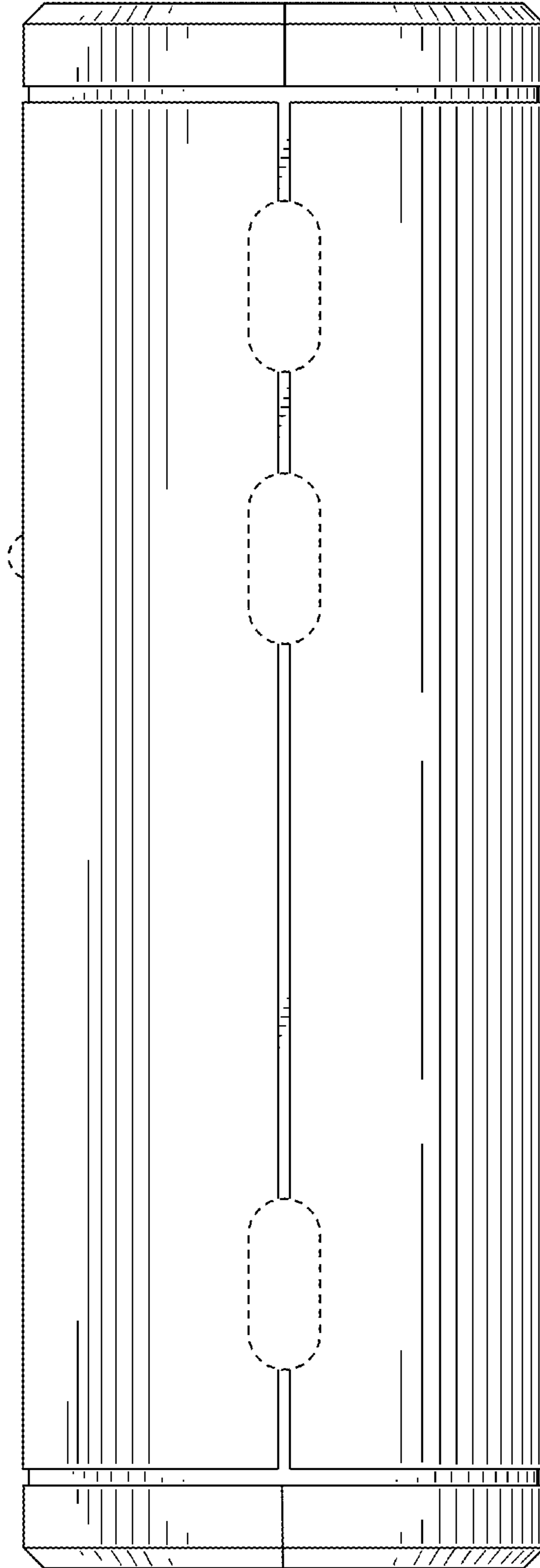


Fig. 10

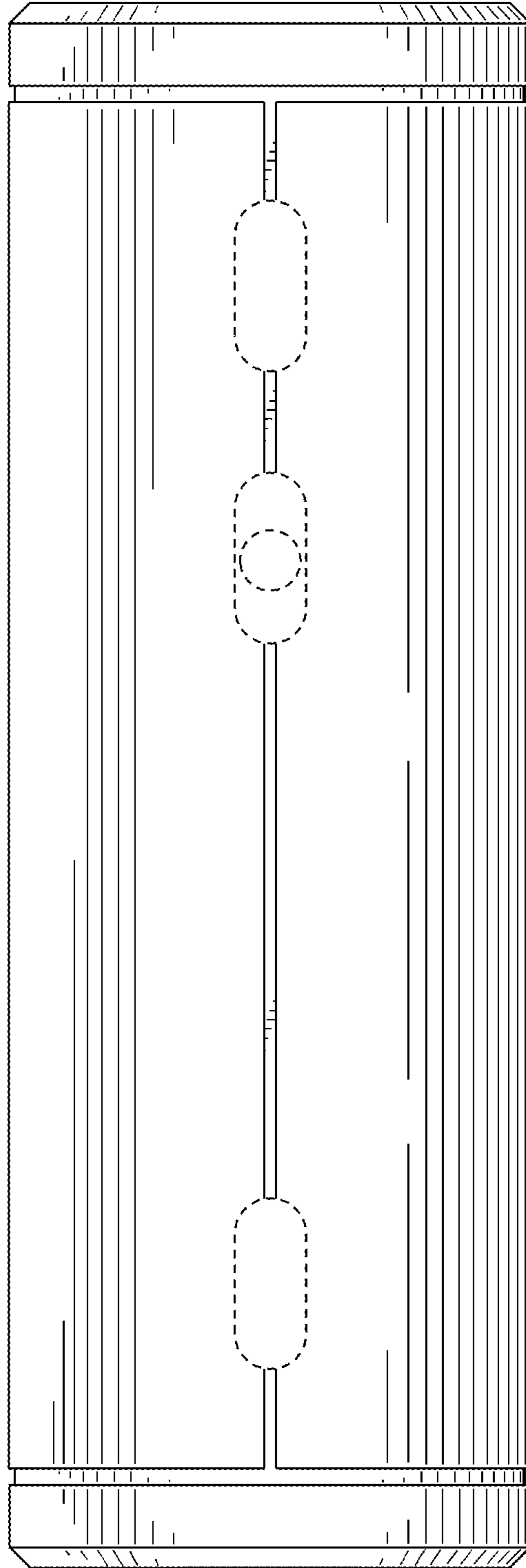


Fig. 11

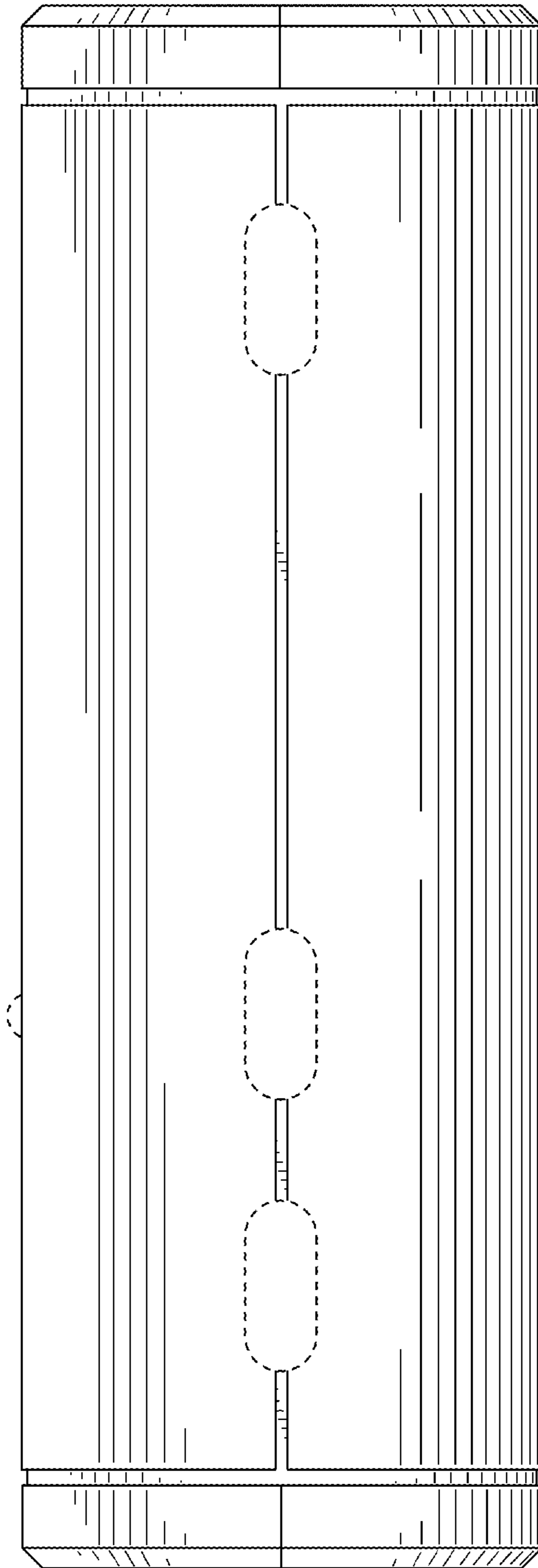


Fig. 12

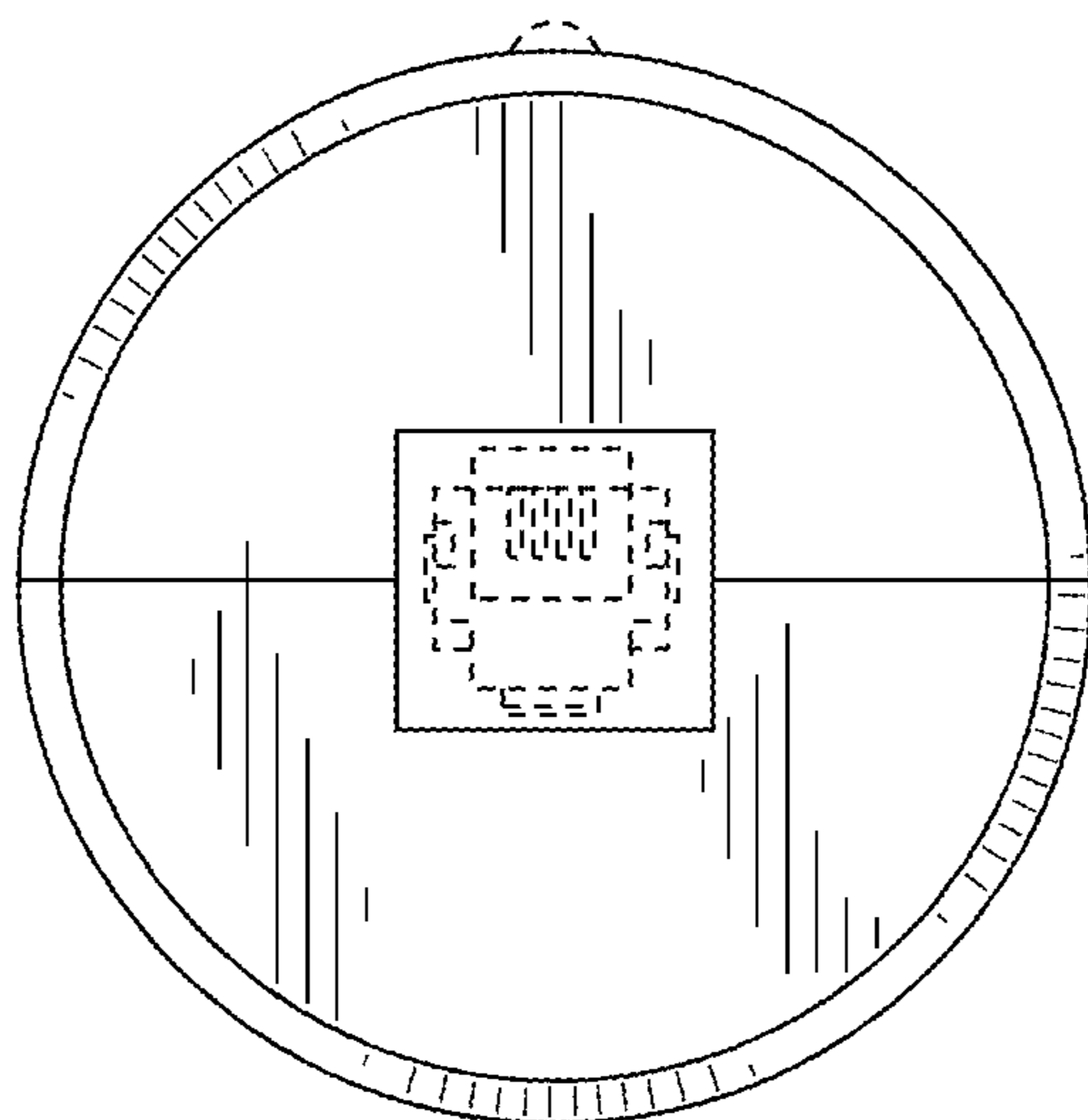


Fig. 13

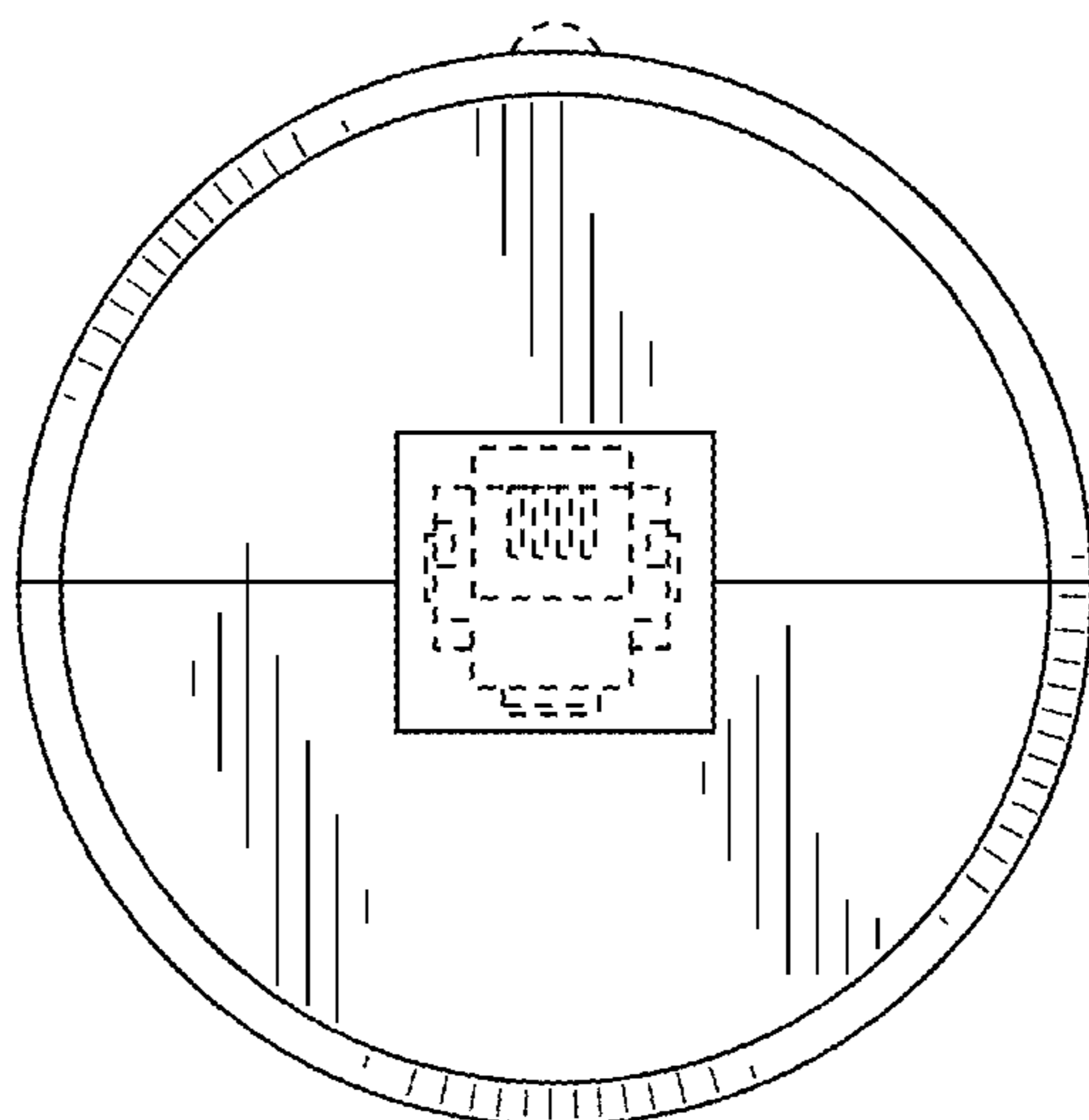


Fig. 14