



US00D870713S

(12) **United States Design Patent** (10) **Patent No.:** **US D870,713 S**
Lee et al. (45) **Date of Patent:** **** Dec. 24, 2019**

(54) **STAND FOR TELEVISION**

(56) **References Cited**

(71) Applicant: **SAMSUNG ELECTRONICS CO., LTD.**, Suwon-si, Gyeonggi-do (KR)
(72) Inventors: **Seungho Lee**, Guri-si (KR); **Jangho Kim**, Seoul (KR); **Kyubok Lee**, Seoul (KR); **Jaeneung Lee**, Ansan-si (KR); **Pilkwon Jung**, Changwon-si (KR)
(73) Assignee: **SAMSUNG ELECTRONICS CO., LTD.**, Gyeonggi-Do (KR)

U.S. PATENT DOCUMENTS
D788,087 S * 5/2017 Lee D14/239
D795,231 S * 8/2017 Bang D14/239
D802,578 S * 11/2017 Somoano D14/253
D822,670 S * 7/2018 Hubert D14/451

(**) Term: **15 Years**

FOREIGN PATENT DOCUMENTS

DE 40601542-0001 6/2006
DE 089463 2/2016
JP D1557508 S 8/2016
KR 300862043 S 7/2016
KR 300862049 S 7/2016

(21) Appl. No.: **29/667,273**

* cited by examiner

Primary Examiner — Randall H Gholson
(74) *Attorney, Agent, or Firm* — Cantor Colburn LLP

(22) Filed: **Oct. 19, 2018**

(57) **CLAIM**

The ornamental design for a stand for television, as shown and described.

(30) **Foreign Application Priority Data**

May 11, 2018 (KR) 30-2018-0022066

(51) **LOC (12) Cl.** **14-03**

(52) **U.S. Cl.**
USPC **D14/239**; D14/126

(58) **Field of Classification Search**
USPC D14/125-134, 239, 371, 136, 374-377, D14/440, 448, 450, 451, 452, 336, 342, D14/159; 312/7.2; 348/836, 838, 180, 348/184, 325, 739; 248/917-924, 465; 345/104, 133, 156, 168, 87, 173; D21/329, 515, 577, 622, 333, 433, 448, D21/452, 450, 331, 505; D10/15, 26; 446/484, 175, 356; D6/477, 479, 300; D20/10, 19, 39; D16/203, 241; 160/24
CPC G06F 1/1601; G06F 1/1643; G06F 1/1652; G06F 1/1647; G06F 3/0412; H05K 5/0004; H05K 5/0017; H05K 5/02; H05K 5/0217; H05K 13/0459

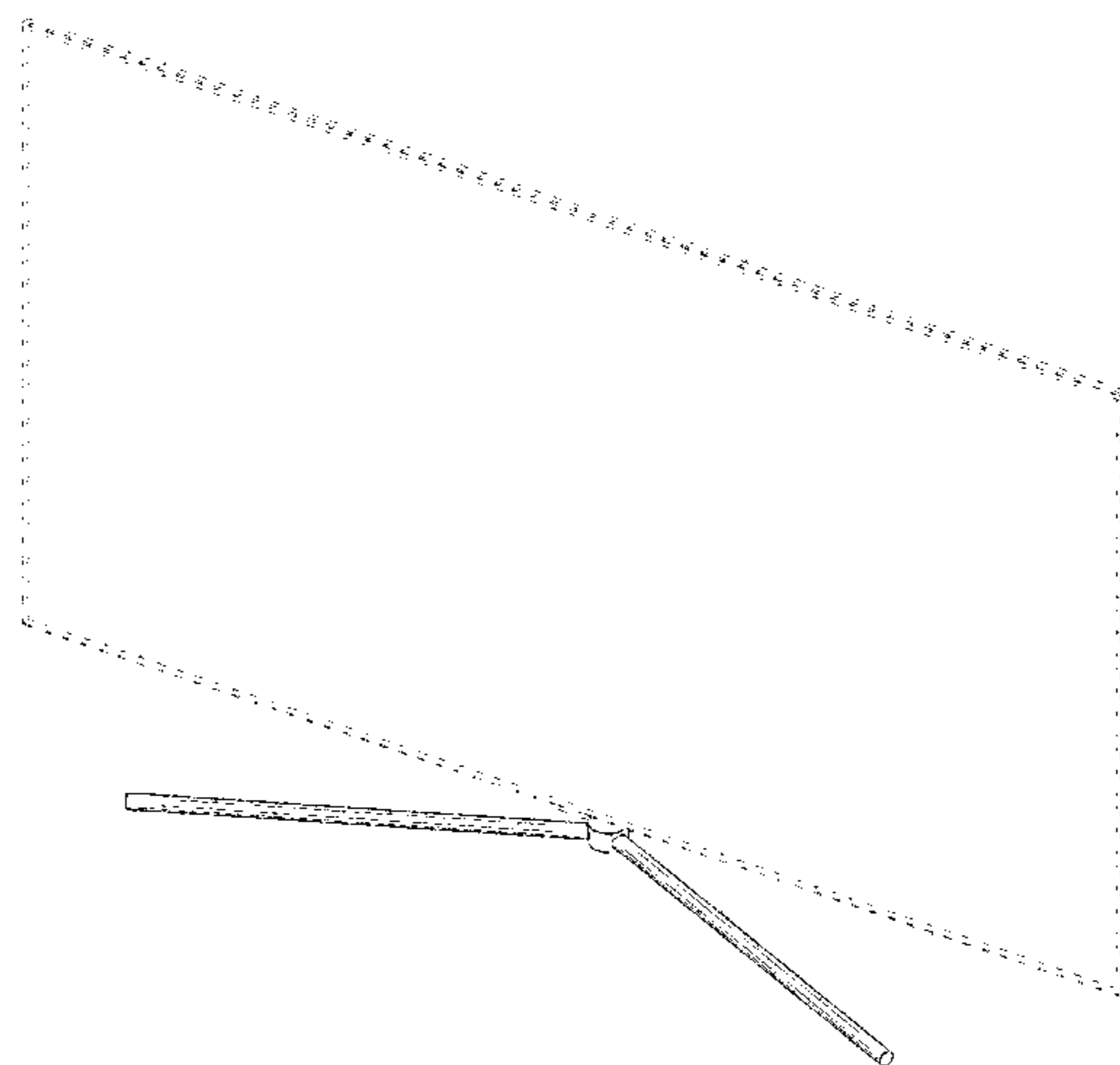
See application file for complete search history.

DESCRIPTION

FIG. 1 is a front perspective view of a stand for television, showing our new design;
FIG. 2 is a front view thereof;
FIG. 3 is a rear view thereof;
FIG. 4 is a left-side view thereof;
FIG. 5 is a right-side view thereof;
FIG. 6 is a top view thereof;
FIG. 7 is a bottom view thereof;
FIG. 8 is a rear perspective view thereof;
FIG. 9 is an enlarged view of the encircled portion, '9' in FIG. 8; and,
FIG. 10 is an enlarged view of the encircled portion, '10' in FIG. 7.

The even-dash broken lines illustrating portions of the television and stand for television form no part of the

(Continued)



claimed design. The dot-dash broken lines encircling enlargement portions of the claimed design form no part of the claimed design.

1 Claim, 10 Drawing Sheets

FIG. 1

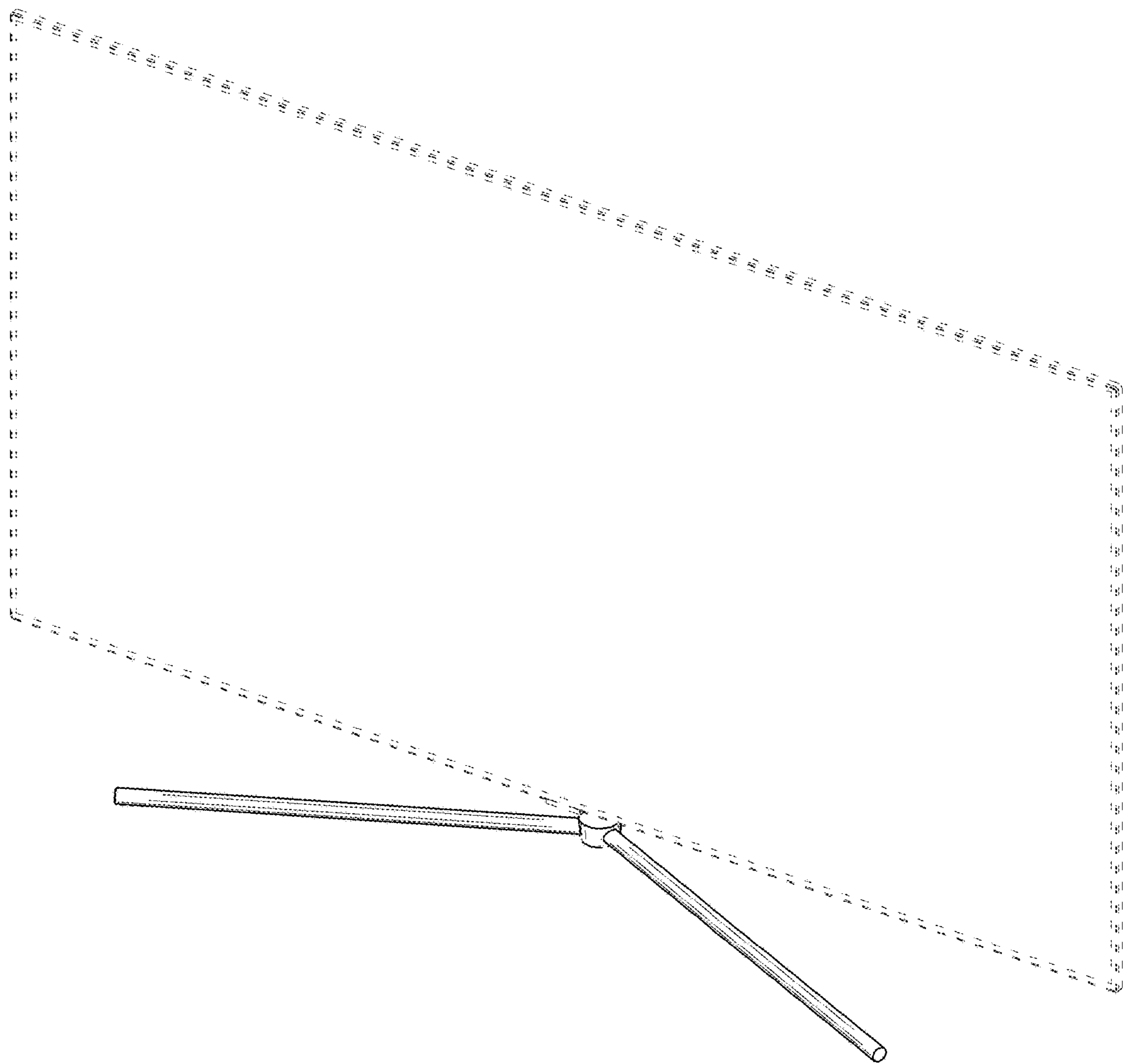


FIG. 2

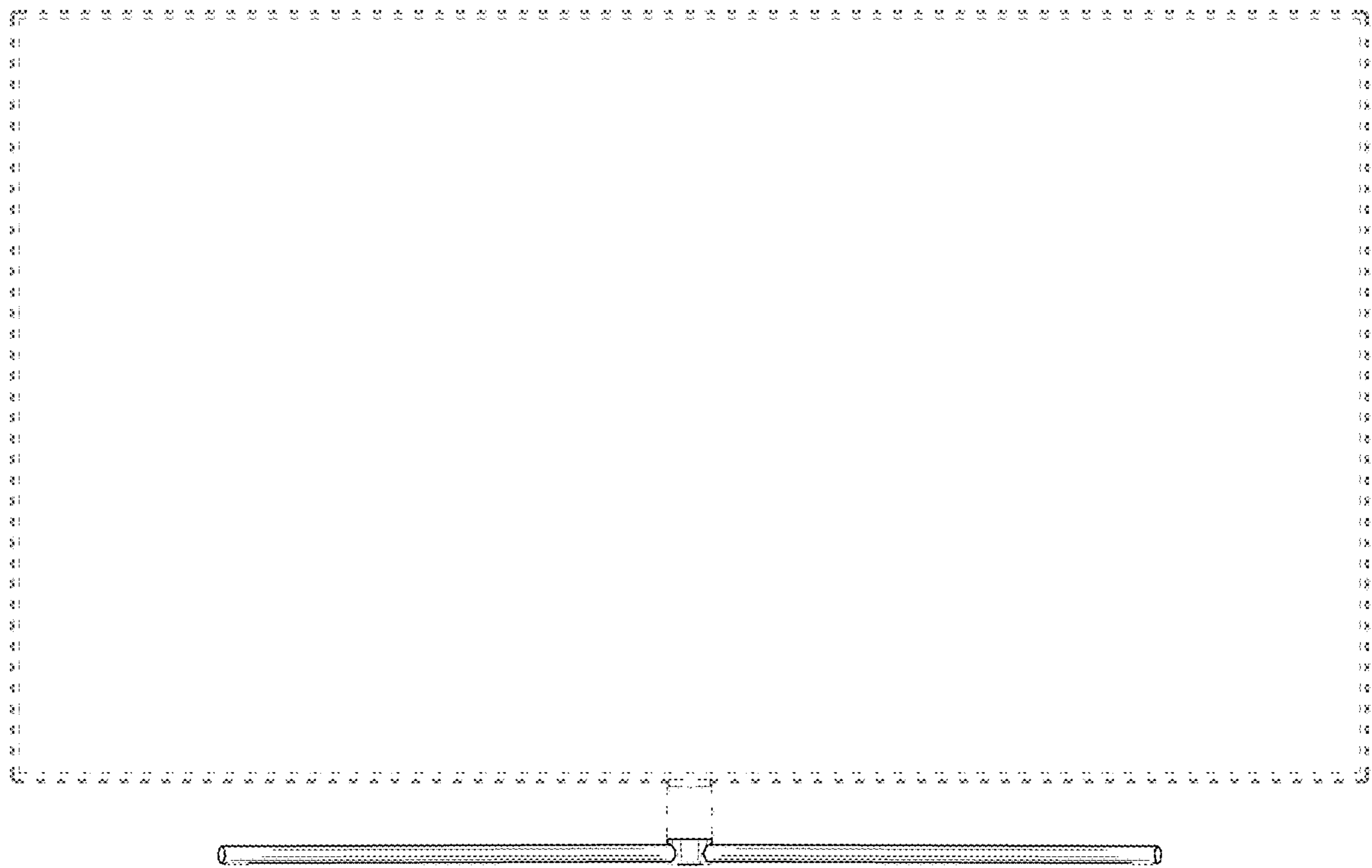


FIG. 3

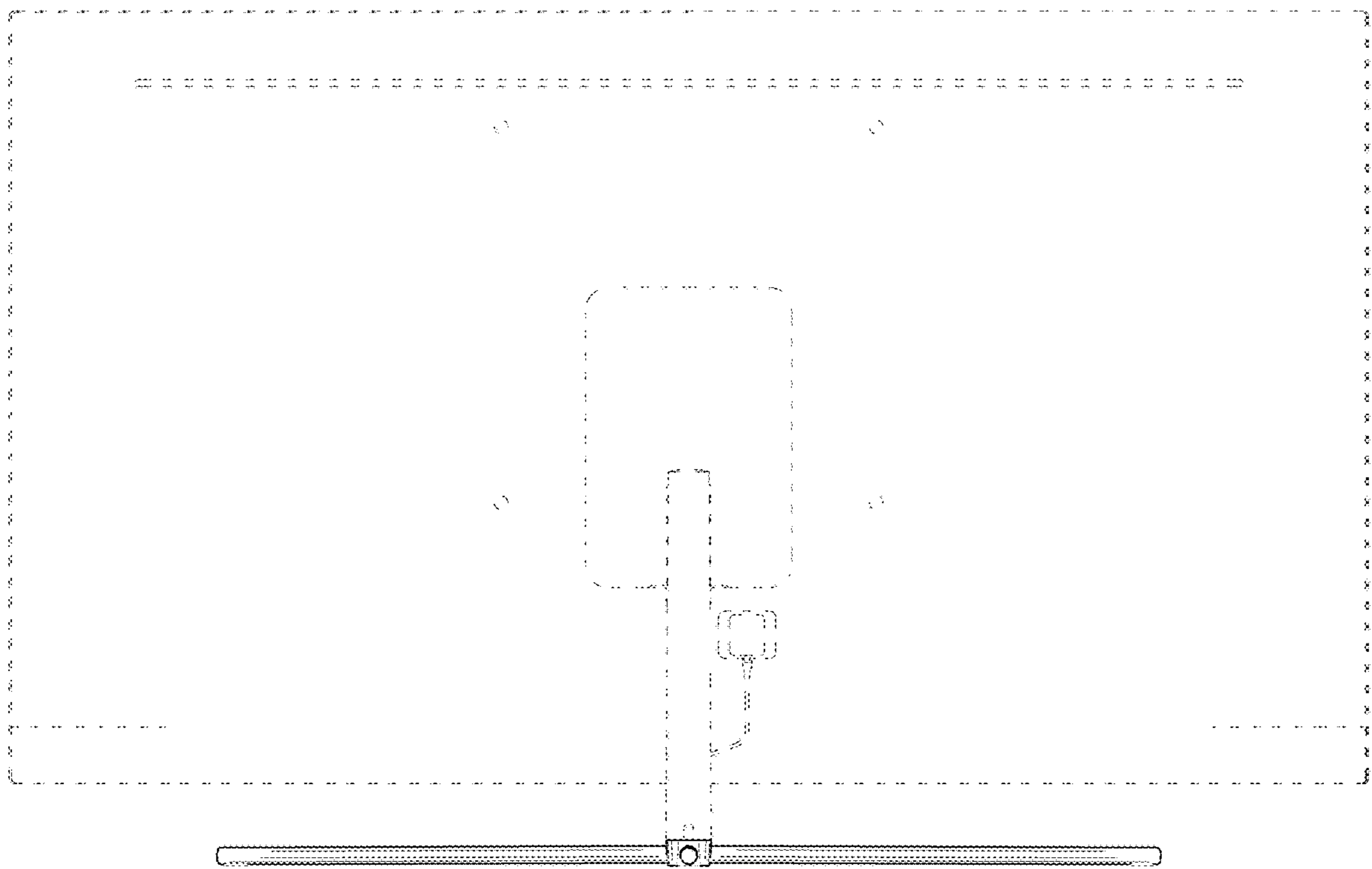


FIG. 4

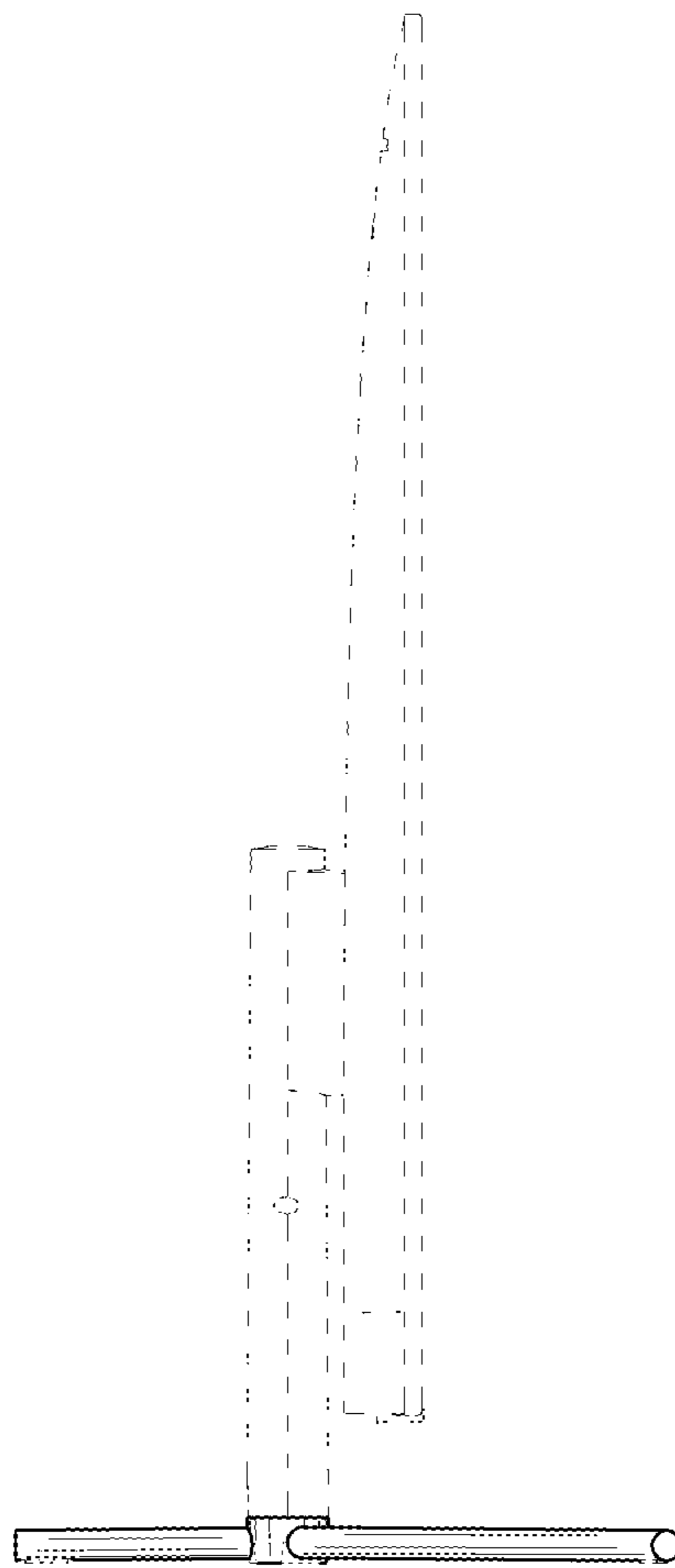


FIG. 5

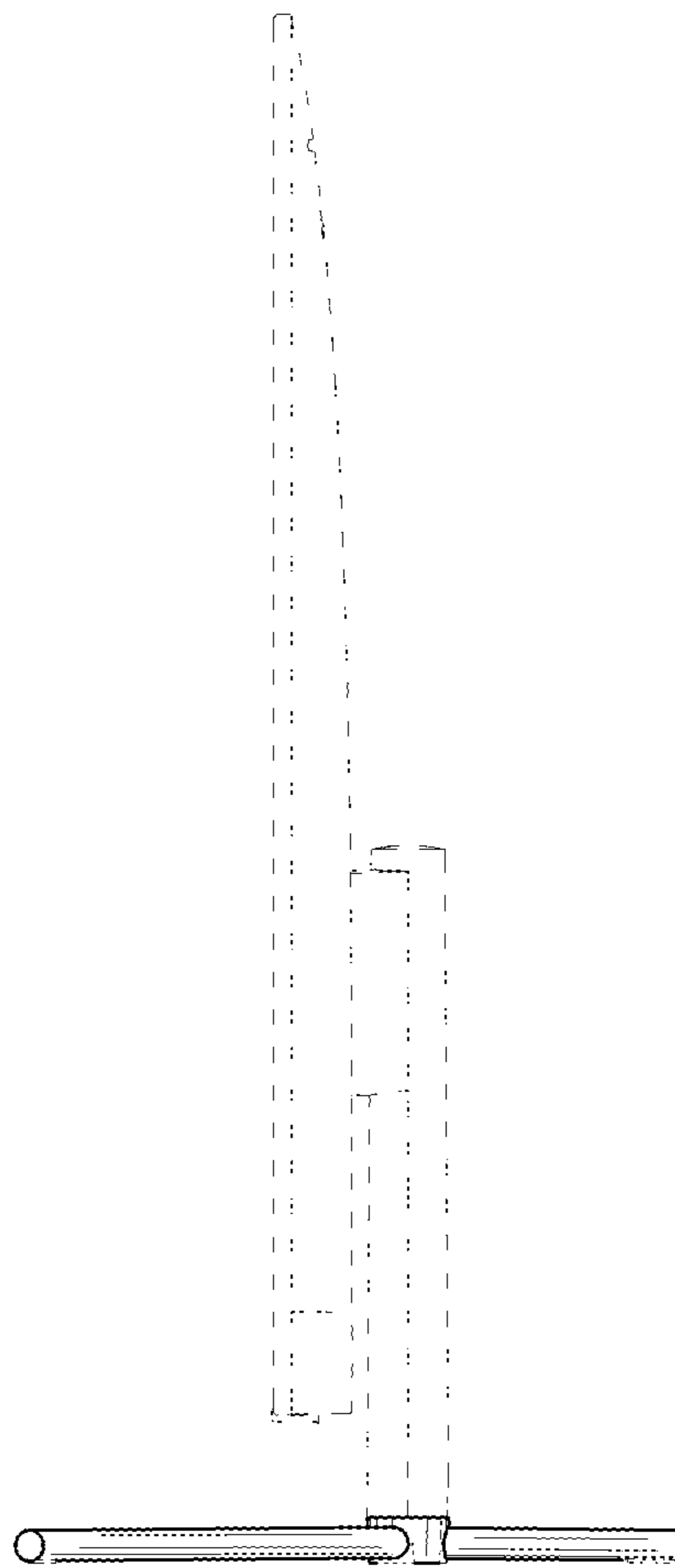


FIG. 6

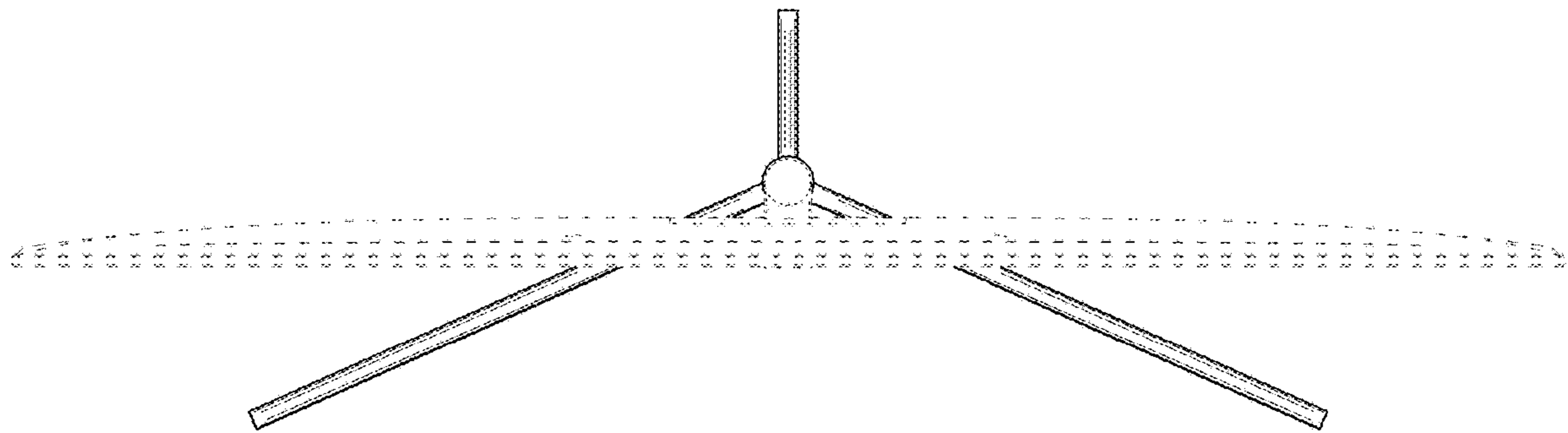


FIG. 7

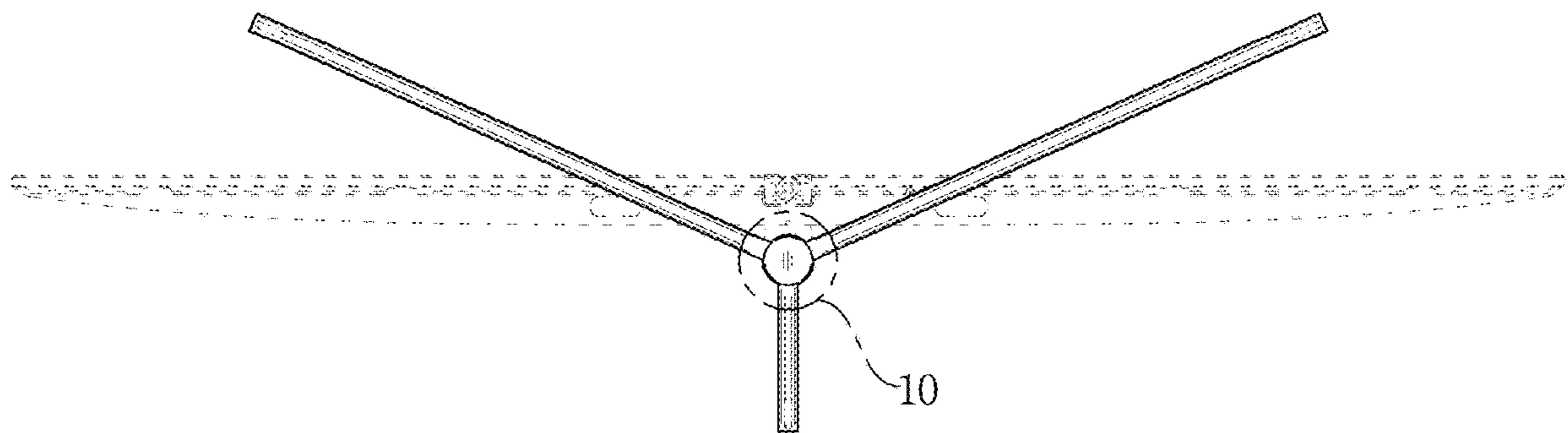


FIG. 8

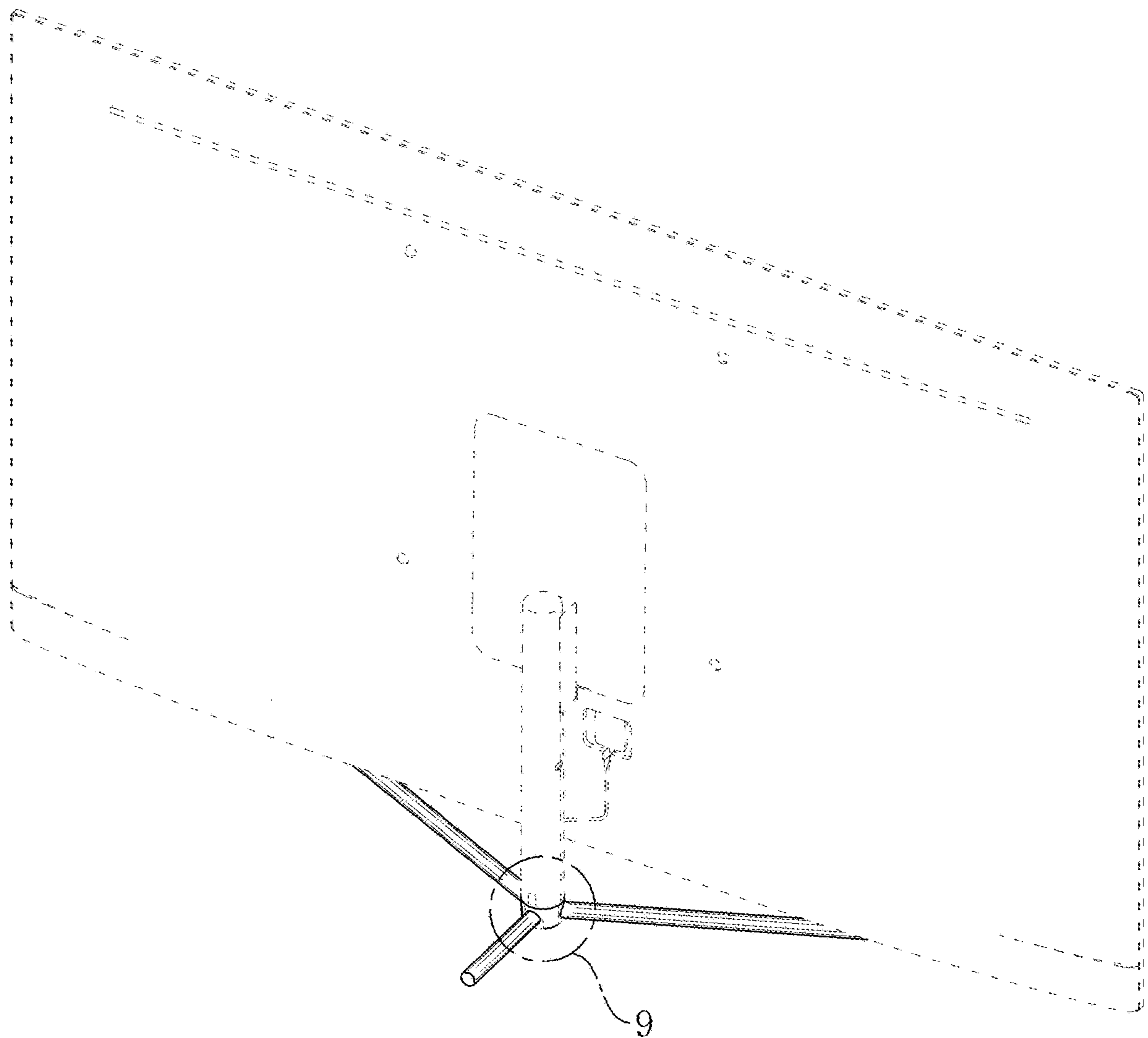


FIG. 9

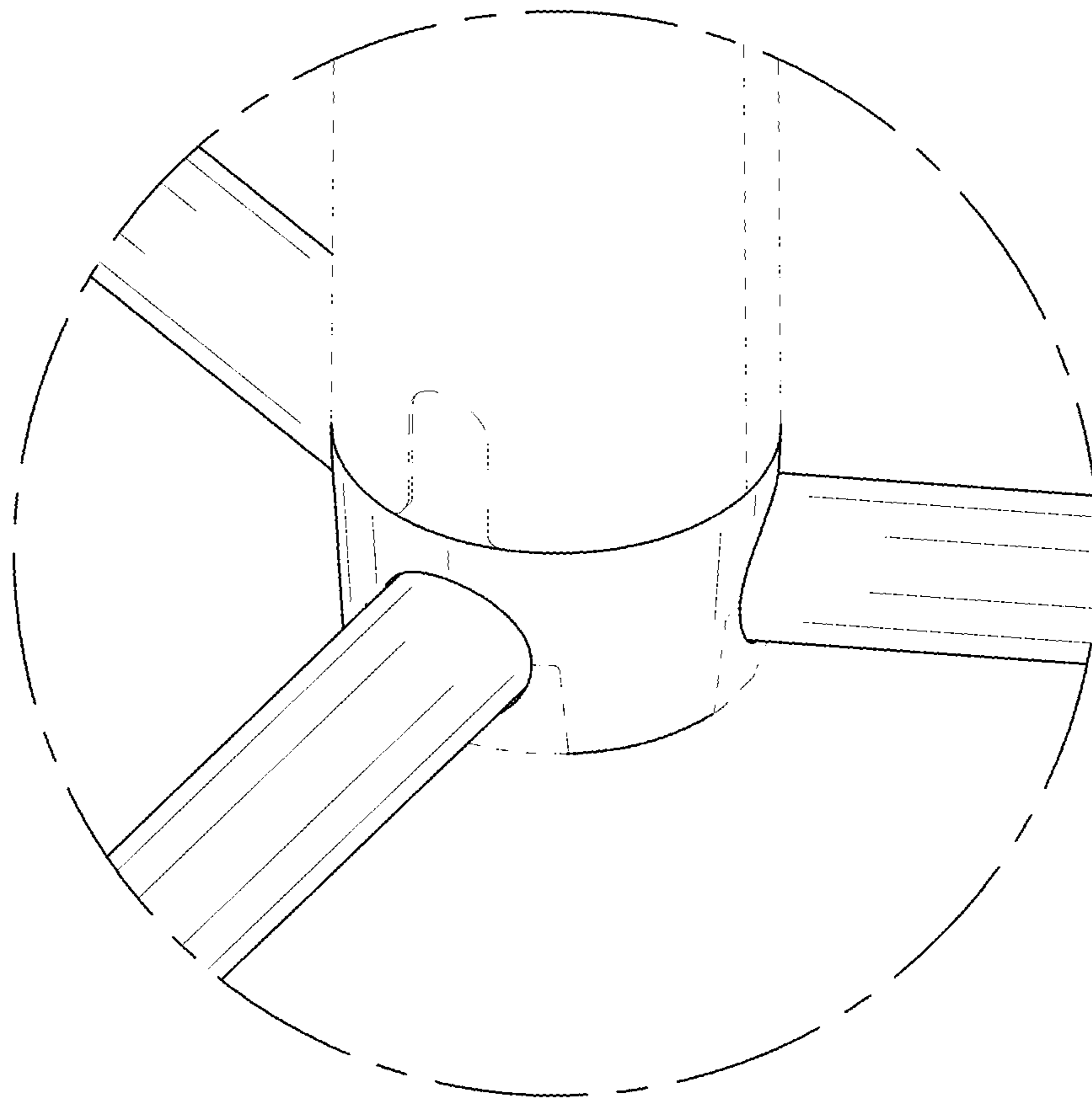


FIG. 10

