



US00D870712S

(12) **United States Design Patent**  
**Yin**

(10) **Patent No.:** **US D870,712 S**

(45) **Date of Patent:** **\*\* Dec. 24, 2019**

(54) **SPEAKER STAND**

(71) Applicant: **Chengwei Yin**, Zhoukou (CN)

(72) Inventor: **Chengwei Yin**, Zhoukou (CN)

(73) Assignee: **Shenzhen Angniu Technology Co., Ltd.**, Shenzhen (CN)

(\*\*) Term: **15 Years**

(21) Appl. No.: **29/647,149**

(22) Filed: **May 10, 2018**

(51) **LOC (12) Cl.** ..... **14-01**

(52) **U.S. Cl.**  
USPC ..... **D14/224**

(58) **Field of Classification Search**  
USPC ... D14/209, 209.1, 211, 216, 217, 219, 221,  
D14/224, 229, 238; D16/242, 244, 245  
CPC ..... H04R 1/02; H04R 1/026; H04R 1/028;  
H05K 5/00; H05K 5/02; H05K 5/0204;  
A47B 97/04; A47B 97/08

See application file for complete search history.

(56) **References Cited**

**U.S. PATENT DOCUMENTS**

D289,281 S *	4/1987	Takagi .....	D14/216
D291,316 S *	8/1987	Johnston .....	D14/451
6,428,451 B1 *	8/2002	Hall .....	A63B 22/18 482/146
D487,455 S *	3/2004	Asahina .....	D14/216
D504,416 S *	4/2005	Dayan .....	D14/216
D555,391 S *	11/2007	Kent .....	D6/407
D610,577 S *	2/2010	Jenkins .....	D14/238
D635,551 S *	4/2011	Wada .....	D14/216
D656,486 S *	3/2012	Parraga Gimeno .....	D14/216

D823,840 S *	7/2018	Gilbert .....	D14/238
D827,622 S *	9/2018	Baiz .....	D14/238
D828,331 S *	9/2018	Li .....	D14/216
2011/0016809 A1 *	1/2011	Knight, III .....	E04D 11/007 52/263
2014/0086442 A1 *	3/2014	Goto .....	H04R 1/028 381/333
2014/0150815 A1 *	6/2014	Chen .....	A46B 13/008 134/6
2015/0208152 A1 *	7/2015	Hanna .....	H04R 1/028 239/289
2015/0308857 A1 *	10/2015	Nishioka .....	G01D 5/24442 310/68 B
2015/0366020 A1 *	12/2015	Park .....	F21V 23/0435 362/234

\* cited by examiner

*Primary Examiner* — Barbara Fox  
*Assistant Examiner* — Messina L Smith

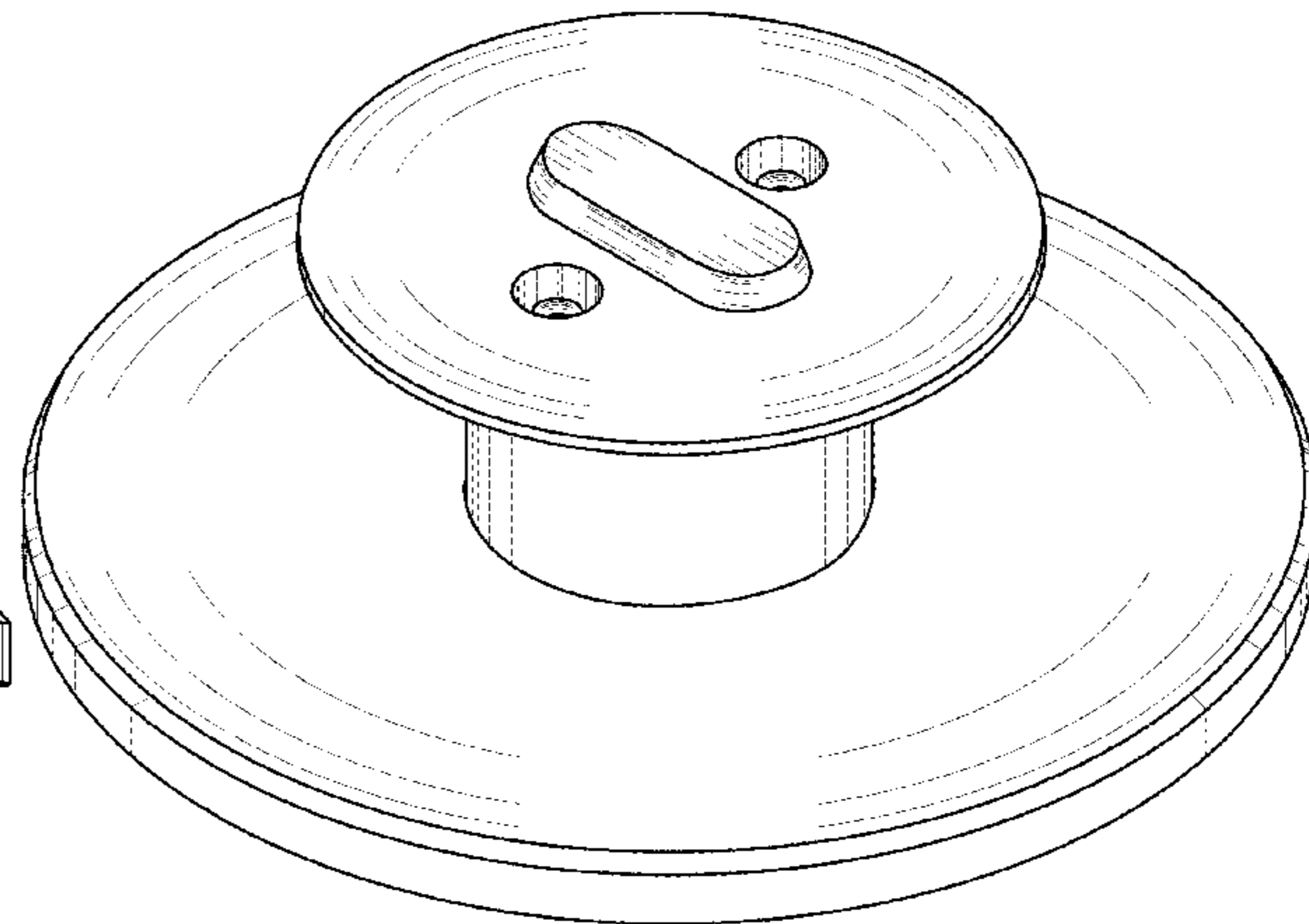
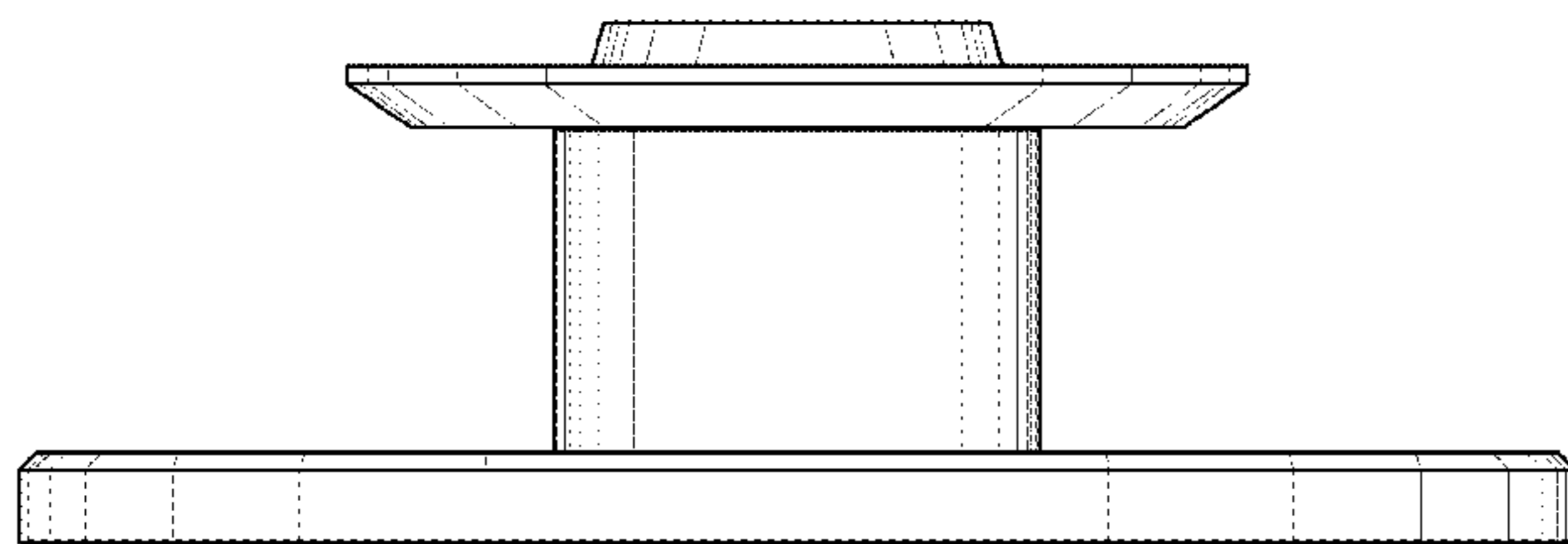
(57) **CLAIM**

The ornamental design for a speaker stand, as shown and described.

**DESCRIPTION**

FIG. 1 is a front elevational view of a speaker stand showing my new design;  
FIG. 2 is a rear elevational view thereof;  
FIG. 3 is a left side elevational view thereof;  
FIG. 4 is a right side elevational view thereof;  
FIG. 5 is a bottom plan view thereof;  
FIG. 6 is a top plan view thereof; and,  
FIG. 7 is a perspective view thereof.  
The broken lines shown in FIG. 5 depict portions of the speaker stand that form no part of the claimed design.

**1 Claim, 7 Drawing Sheets**



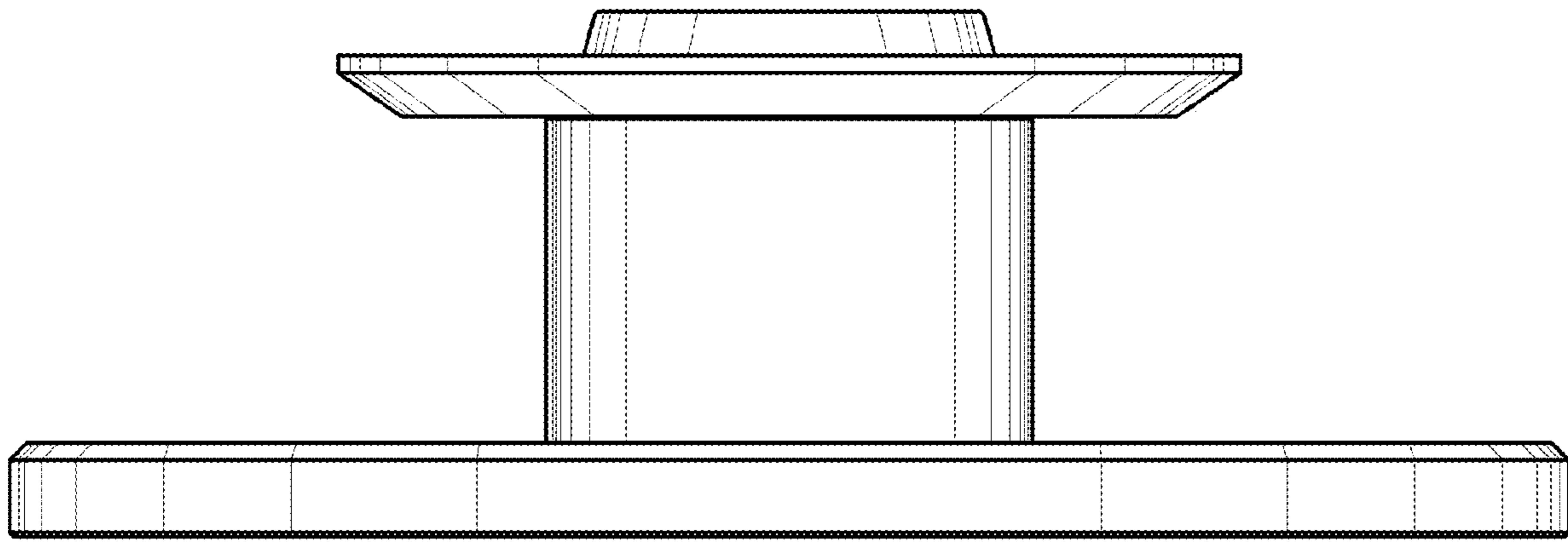


FIG. 1

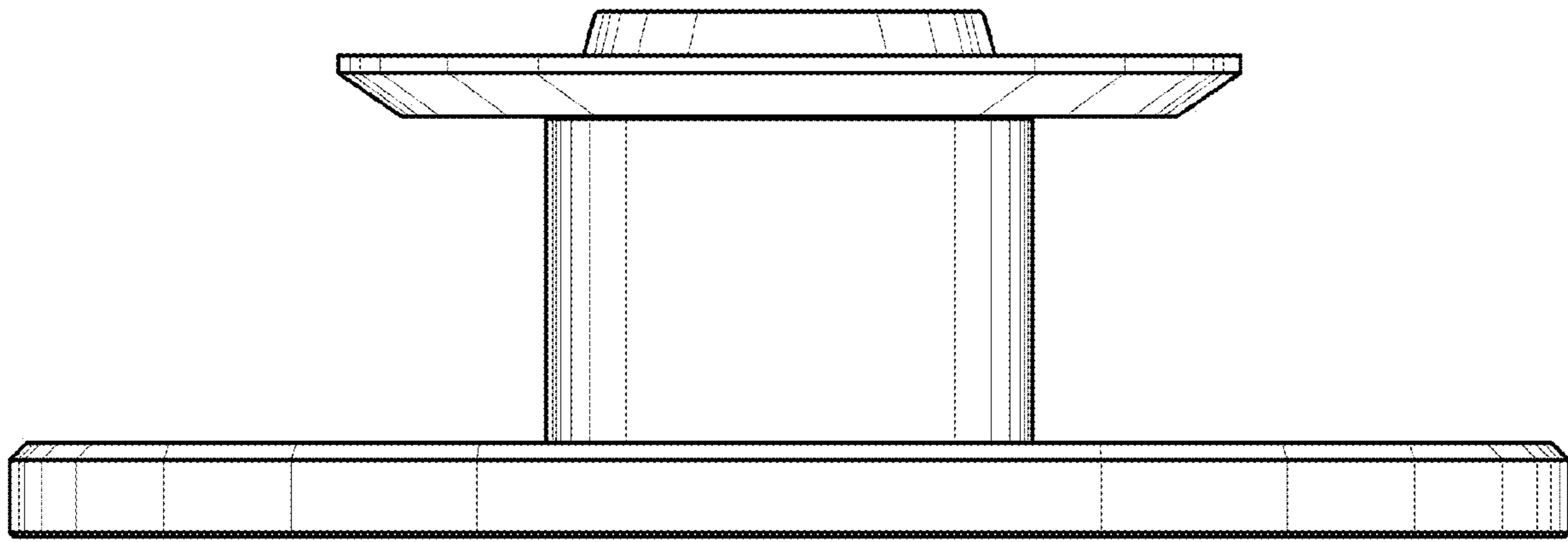


FIG.2

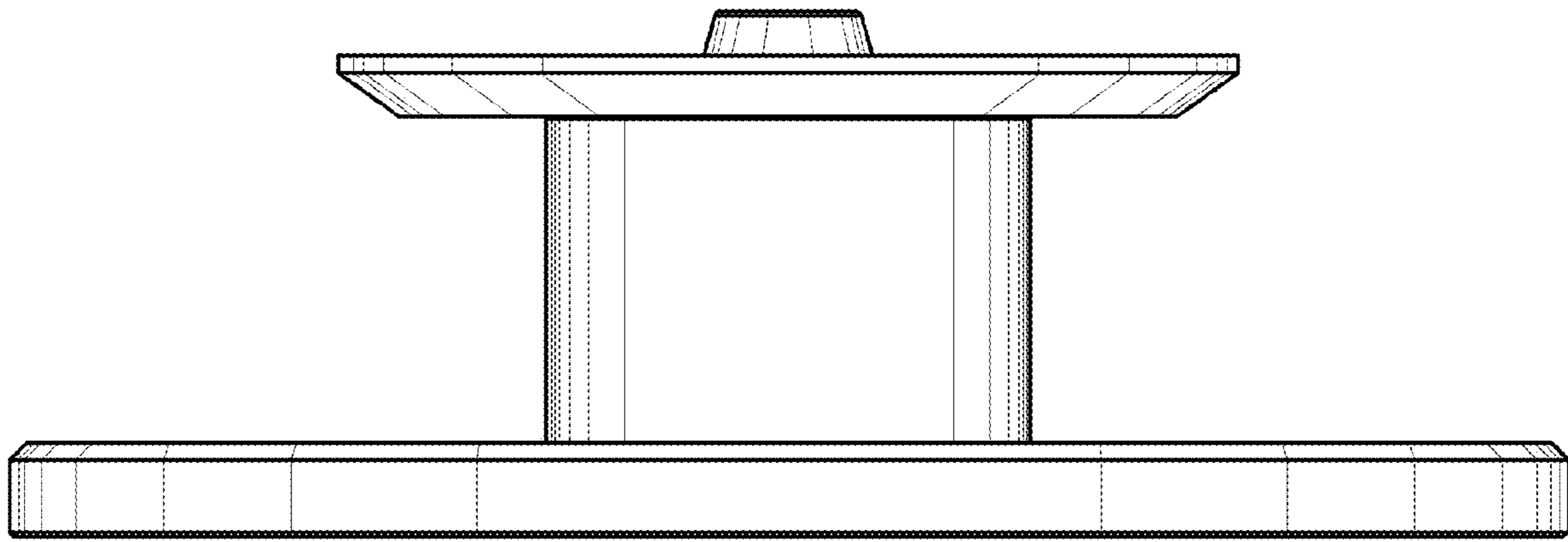


FIG.3

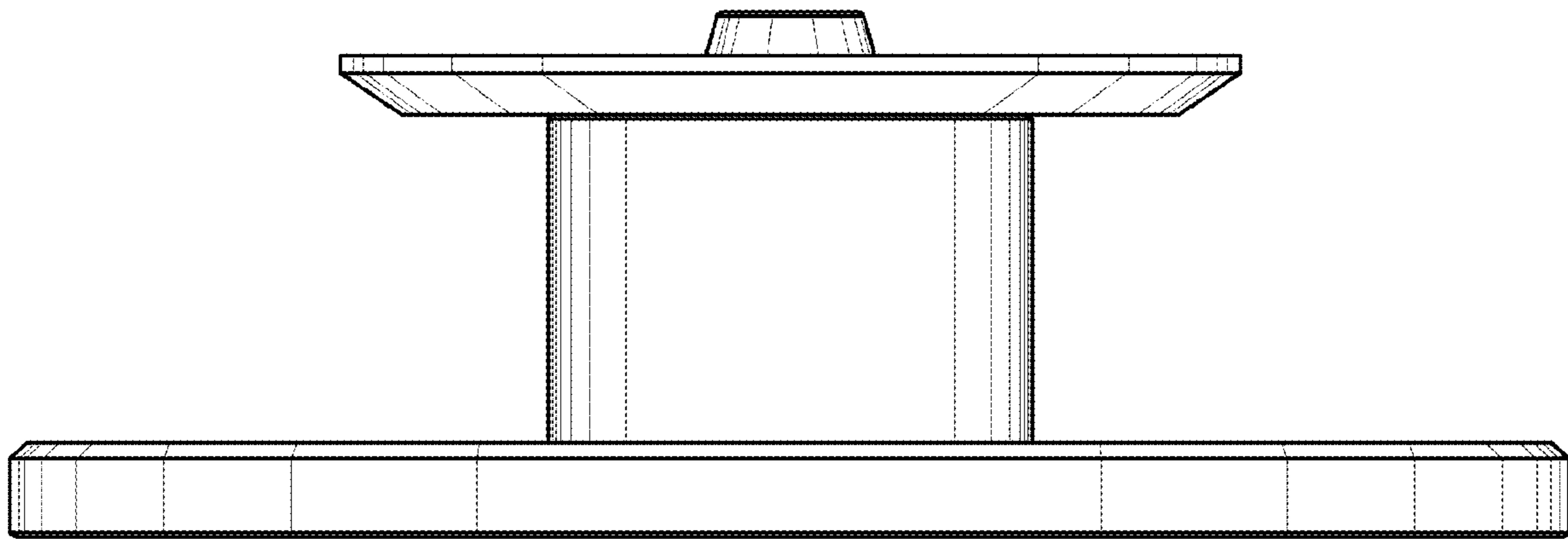


FIG.4

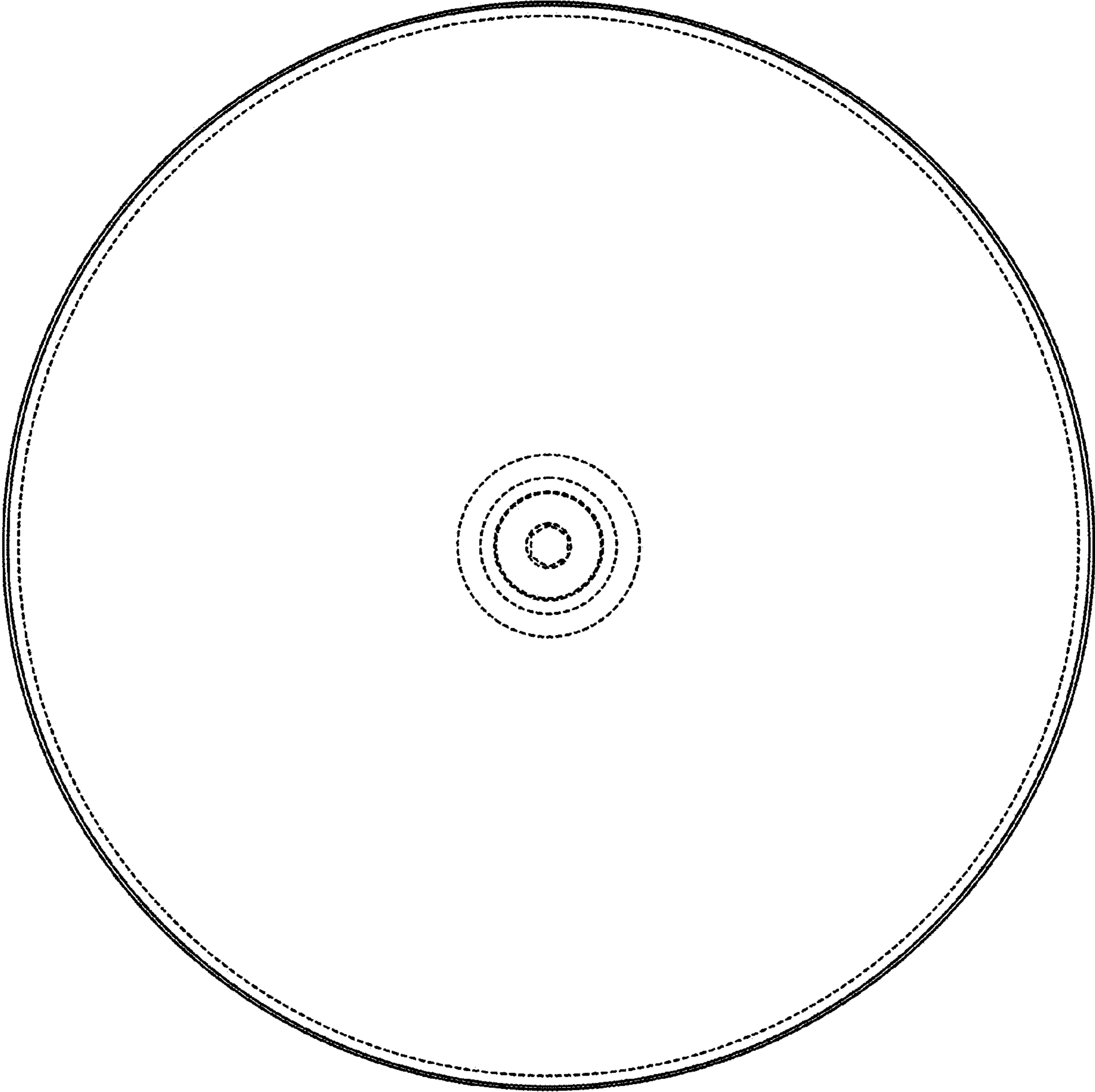


FIG.5

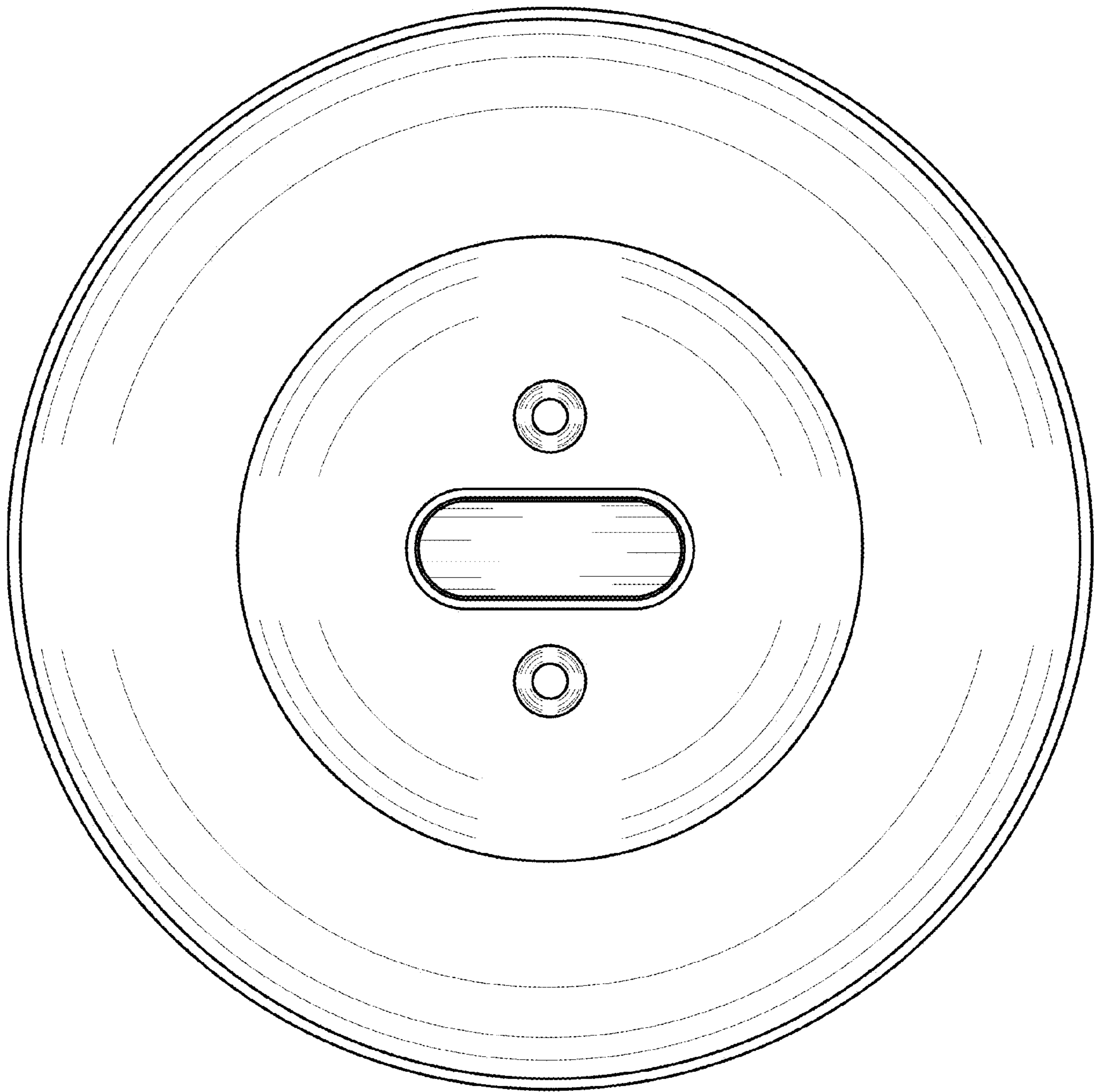


FIG.6

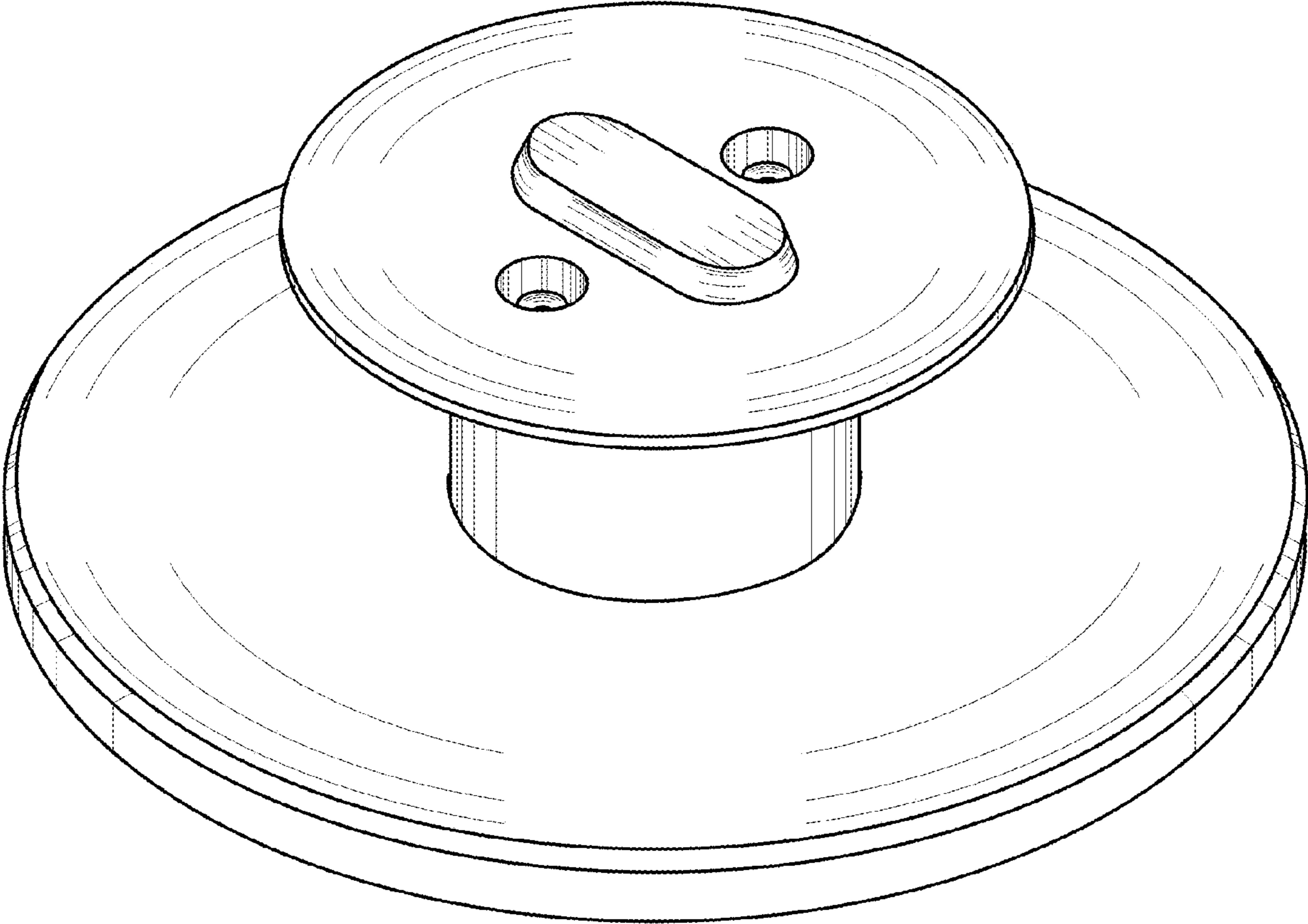


FIG.7