

US00D870711S

(12) **United States Design Patent** (10) **Patent No.:** **US D870,711 S**  
**Karayiannis et al.** (45) **Date of Patent:** **\*\* Dec. 24, 2019**

(54) **HEADPHONE**

- (71) Applicant: **Harman International Industries, Incorporated**, Northridge, CA (US)
- (72) Inventors: **Effrosini A. Karayiannis**, St. Louis, MO (US); **Hyo Jin Kim**, Shenzhen (CN); **Derek Campbell**, Baltimore, MD (US)
- (73) Assignee: **Harman International Industries, Incorporated**, Northridge, CA (US)
- (\*\*) Term: **15 Years**
- (21) Appl. No.: **29/674,293**
- (22) Filed: **Dec. 20, 2018**

**Related U.S. Application Data**

- (63) Continuation-in-part of application No. 29/631,217, filed on Dec. 28, 2017.
- (51) **LOC (12) Cl.** ..... **14-01**
- (52) **U.S. Cl.**  
USPC ..... **D14/223**; D14/205
- (58) **Field of Classification Search**  
USPC .... D14/203.1, 204–206, 208–210, 212–217, D14/219, 221–225, 249, 372, 433, 138 R,  
(Continued)

(56) **References Cited**

**U.S. PATENT DOCUMENTS**

- D348,066 S \* 6/1994 Lucey ..... D14/205
  - D364,162 S 11/1995 Dagan
  - D461,813 S 8/2002 Chang
  - D498,225 S 11/2004 Takeuchi et al.
- (Continued)

**FOREIGN PATENT DOCUMENTS**

- CN 303338642 8/2015
- CN 303347707 8/2015

(Continued)

**OTHER PUBLICATIONS**

UA True Wireless Flash, published Jan. 7, 2019 [online], [retrieved May 7, 2019], Available from Internet, URL: <<https://news.harman.com/releases/true-wireless-freedom-jbIR-and-under-armourR-unleash-the-ua-flash-for-athletes-looking-to-push-limits>>.\*

(Continued)

*Primary Examiner* — Barbara Fox

*Assistant Examiner* — Mary Claire Ramirez

(74) *Attorney, Agent, or Firm* — Plumsea Law Group, LLC

(57) **CLAIM**

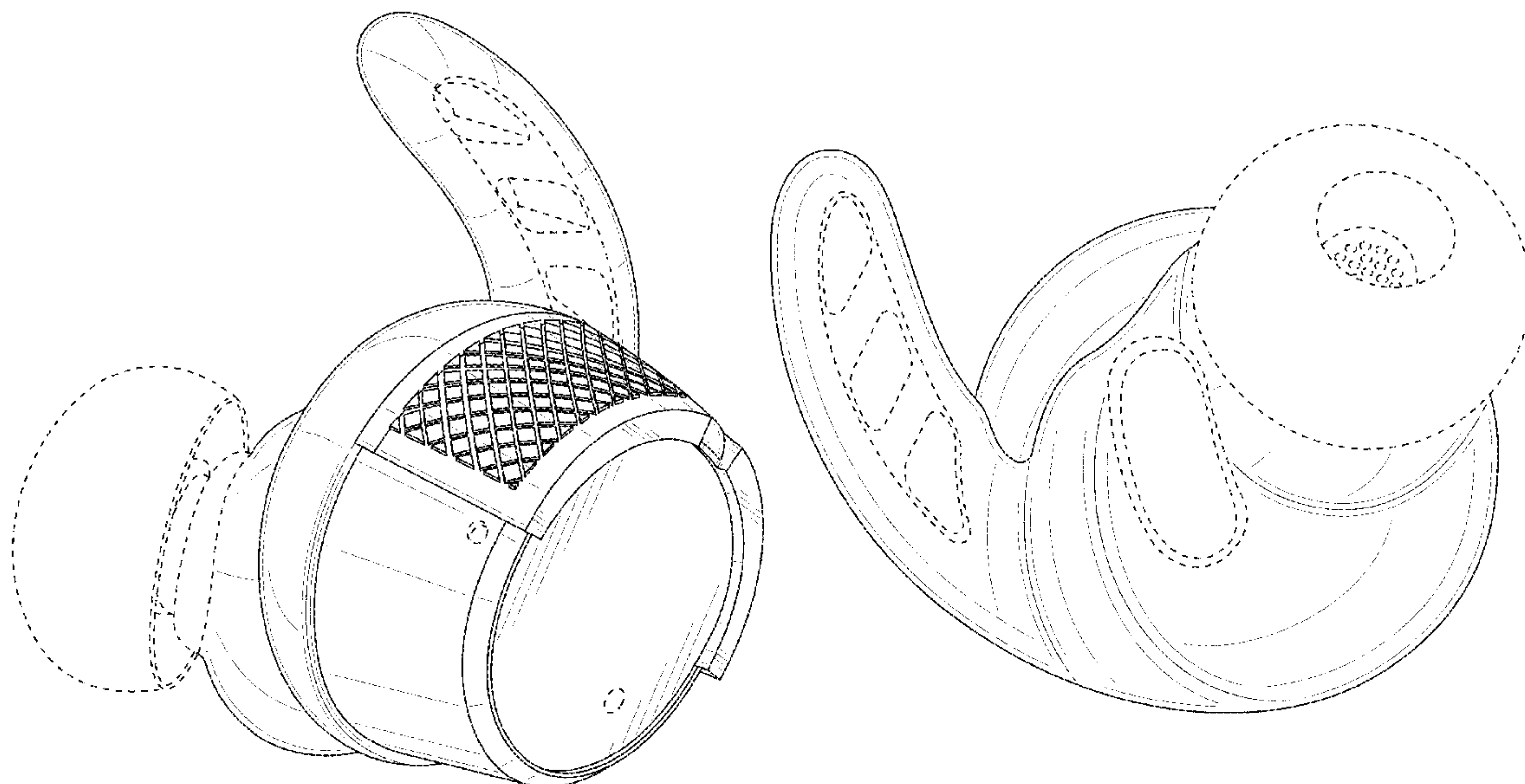
The ornamental design for a headphone, as shown and described.

**DESCRIPTION**

FIG. 1 is a perspective view of a headphone showing the new design in a first embodiment;  
 FIG. 2 is a front elevational view thereof;  
 FIG. 3 is a rear elevational view thereof;  
 FIG. 4 is a side elevational view thereof;  
 FIG. 5 is an opposite side elevational view thereof;  
 FIG. 6 is a top view thereof;  
 FIG. 7 is a bottom view thereof;  
 FIG. 8 is a perspective view of the headphone in a second embodiment, illustrating a mirror image of the headphone of FIGS. 1-7;  
 FIG. 9 is a front elevational view thereof;  
 FIG. 10 is a rear elevational view thereof;  
 FIG. 11 is a side elevational view thereof;  
 FIG. 12 is an opposite side elevational view thereof;  
 FIG. 13 is a top view thereof; and,  
 FIG. 14 is a bottom view thereof.

The broken lines shown in the drawings depict portions of the headphone that form no part of the claimed design.

**1 Claim, 14 Drawing Sheets**





(58) **Field of Classification Search**

USPC ..... D14/182, 188, 191-194, 172, 496;  
 D29/112; D28/41; D2/875;  
 D24/173-175, 106; D3/294, 273;  
 D13/118, 108, 119  
 CPC ..... H04R 25/02; H04R 25/00; H04R 1/10;  
 H04R 1/1016; H04R 1/105; H04R  
 1/1083; H04R 1/02; H04R 1/1041; H04R  
 1/28; H04R 5/033; H04R 2420/07; H04R  
 2430/00; H04R 2430/01  
 See application file for complete search history.

(56) **References Cited**

U.S. PATENT DOCUMENTS

D514,095 S 1/2006 Wilson et al.  
 D519,987 S 5/2006 Kubota  
 D535,284 S 1/2007 Peng  
 D539,268 S 3/2007 Suzuki  
 D549,179 S 8/2007 Amidon  
 D554,627 S 11/2007 Gondo  
 D566,099 S 4/2008 Komiyama  
 D567,217 S 4/2008 Kamo et al.  
 D569,841 S 5/2008 Chung et al.  
 D572,200 S 7/2008 Chawgo  
 D574,781 S 8/2008 Chawgo  
 D578,077 S \* 10/2008 Amidon ..... D13/133  
 D578,507 S 10/2008 Ando  
 D578,508 S 10/2008 Wang  
 D587,681 S 3/2009 Yanai  
 D589,493 S 3/2009 Densho  
 D590,375 S 4/2009 Komiyama  
 D590,809 S 4/2009 Thusbass  
 D593,997 S 6/2009 Mauritzsson  
 D597,959 S \* 8/2009 Malloy ..... D13/151  
 D605,135 S \* 12/2009 Malloy ..... D13/151  
 D605,182 S 12/2009 Fagnot  
 D606,048 S 12/2009 Soetejo et al.  
 D606,971 S 12/2009 Christopher et al.  
 D610,998 S \* 3/2010 Purdy ..... D13/151  
 D611,036 S 3/2010 Cooper et al.  
 D618,210 S 6/2010 Andre et al.  
 D618,211 S 6/2010 Oguro et al.  
 D621,388 S \* 8/2010 Koss ..... D14/223  
 D621,389 S 8/2010 Nagayama et al.  
 D623,630 S 9/2010 Ohori et al.  
 D624,023 S \* 9/2010 Rodrigues ..... D13/151  
 D624,902 S \* 10/2010 Kolton ..... D14/205  
 D625,298 S \* 10/2010 Koss ..... D14/223  
 D626,117 S 10/2010 Lowry  
 D627,338 S \* 11/2010 Koss ..... D14/223  
 D627,765 S 11/2010 Zheng  
 D628,993 S 12/2010 Steyn  
 D633,482 S \* 3/2011 Koss ..... D14/223  
 D637,180 S 5/2011 Shimizu et al.  
 D637,181 S 5/2011 Fuller et al.  
 D639,282 S 6/2011 Ohori et al.  
 D640,976 S 7/2011 Matsuoka  
 D641,008 S 7/2011 Lee et al.  
 D642,163 S 7/2011 Lee et al.  
 D644,213 S 8/2011 Quek  
 D650,368 S 12/2011 Lee et al.  
 D652,822 S 1/2012 Lee et al.  
 D656,491 S \* 3/2012 Nomura ..... D14/223  
 D660,289 S 5/2012 Lee et al.  
 D660,290 S 5/2012 Weedon  
 D667,124 S 9/2012 Takemoto  
 D667,818 S \* 9/2012 Sogabe ..... D14/223  
 D674,904 S 1/2013 Aunio  
 D676,417 S \* 2/2013 Masuda ..... D14/205  
 D676,426 S 2/2013 Komiyama  
 D677,248 S 3/2013 Yoon  
 D678,251 S 3/2013 Cantoni et al.  
 D678,252 S 3/2013 Cantoni et al.  
 D678,856 S 3/2013 Feng et al.  
 D678,857 S 3/2013 Feng et al.

D678,858 S 3/2013 Feng et al.  
 D678,860 S 3/2013 Hagelin  
 D679,267 S 4/2013 Lee et al.  
 D679,682 S 4/2013 Shimizu et al.  
 D684,559 S 6/2013 Groset et al.  
 D689,848 S 9/2013 Lee et al.  
 D691,108 S 10/2013 Takeno  
 D691,278 S 10/2013 Aunio  
 D693,326 S 11/2013 Takeno  
 D694,220 S 11/2013 Lee et al.  
 D695,710 S \* 12/2013 Szymanski ..... D14/214  
 D695,724 S 12/2013 Ishikura  
 D698,760 S 2/2014 Lee et al.  
 D700,905 S 3/2014 Pavitsich  
 D701,195 S 3/2014 Katsumata  
 D702,667 S 4/2014 Yang  
 D707,200 S 6/2014 Yang  
 D707,205 S 6/2014 Wenger et al.  
 D710,335 S \* 8/2014 Yang ..... D14/223  
 D715,253 S 10/2014 Lee et al.  
 D715,254 S 10/2014 Lee et al.  
 D717,796 S \* 11/2014 Olsson ..... D14/372  
 D718,744 S 12/2014 Thompson et al.  
 D718,745 S \* 12/2014 Thompson ..... D14/223  
 D719,548 S \* 12/2014 Thompson ..... D14/223  
 D719,551 S 12/2014 Yang  
 D726,147 S 4/2015 Tran et al.  
 D726,165 S 4/2015 Kawaji et al.  
 D727,871 S 4/2015 Orbach  
 D729,775 S 5/2015 Seo et al.  
 D735,699 S 8/2015 Yasuda  
 D736,749 S 8/2015 Yasuda  
 D740,255 S 10/2015 Samrelius  
 D740,786 S 10/2015 Huang et al.  
 D742,859 S 11/2015 Miyake et al.  
 D743,947 S \* 11/2015 Yoshimura ..... D14/223  
 D744,456 S 12/2015 Pedersen  
 D746,792 S \* 1/2016 Kim ..... D14/205  
 D749,060 S 2/2016 Hinokio  
 D751,530 S 3/2016 Kolton  
 D753,626 S 4/2016 Tran  
 D758,355 S 6/2016 Lee et al.  
 D759,633 S 6/2016 Gondo  
 D760,189 S 6/2016 Loh Jun Kern et al.  
 D761,770 S 7/2016 Kanou  
 D762,196 S 7/2016 Hsieh et al.  
 D762,616 S 8/2016 Hsieh et al.  
 D762,623 S 8/2016 Gondo  
 D769,219 S 10/2016 Ohmachi  
 D771,011 S 11/2016 Ott et al.  
 D773,435 S 12/2016 Ott et al.  
 D773,441 S 12/2016 Pedersen  
 D774,021 S 12/2016 Pedersen  
 D774,455 S 12/2016 Kim et al.  
 D775,108 S 12/2016 Hsieh et al.  
 D776,080 S 1/2017 Enquist  
 D777,139 S 1/2017 Fletcher et al.  
 D777,701 S 1/2017 Czaniecki  
 D778,268 S 2/2017 Hsieh et al.  
 D780,155 S 2/2017 Levine et al.  
 D782,998 S \* 4/2017 Shin ..... D14/205  
 D784,962 S 4/2017 Yang  
 D796,473 S 9/2017 Kim et al.  
 D796,475 S 9/2017 Wang et al.  
 D800,703 S 10/2017 Vaclavik  
 D803,816 S 11/2017 Bolster  
 D804,533 S 12/2017 Mangum et al.  
 D806,059 S \* 12/2017 Ott ..... D14/223  
 D806,685 S \* 1/2018 Park ..... D14/223  
 D809,487 S 2/2018 Lee et al.  
 D810,720 S 2/2018 Lee  
 D811,366 S 2/2018 Mackiewicz et al.  
 D813,206 S 3/2018 Tang et al.  
 D815,046 S \* 4/2018 Blake ..... D13/151  
 D818,990 S 5/2018 Tzeng et al.  
 D820,239 S 6/2018 Yoshimura et al.  
 D822,009 S 7/2018 Matoba et al.  
 D822,646 S \* 7/2018 Dang ..... D14/223  
 D823,279 S 7/2018 Chen et al.

(56)

References Cited

U.S. PATENT DOCUMENTS

D824,878	S	8/2018	Kim et al.	
D831,619	S	10/2018	Matoba et al.	
D838,258	S	1/2019	Hsieh et al.	
D838,690	S	1/2019	Cheon et al.	
D838,693	S	1/2019	Fu	
D839,238	S	1/2019	Hu	
D840,972	S	2/2019	Luo	
D845,282	S	4/2019	Chen et al.	
D848,395	S *	5/2019	Kelley	D14/205
2010/0135517	A1	6/2010	Murozaki et al.	
2011/0103609	A1 *	5/2011	Pelland	H04M 1/0254 381/74
2011/0249856	A1	10/2011	Takei	
2012/0155689	A1 *	6/2012	Milodzikowski	H04R 1/1016 381/379
2013/0114841	A1 *	5/2013	Hwang	H04R 1/10 381/374
2013/0170692	A1	7/2013	Kaneko et al.	
2015/0222978	A1	6/2015	Murozaki	
2018/0103309	A1	4/2018	Ozawa	

FOREIGN PATENT DOCUMENTS

CN	303590971	*	2/2016	
CN	303773695		8/2016	
CN	303931450		11/2016	
CN	303987634		12/2016	
CN	304297232		9/2017	
CN	304301289		9/2017	
CN	304317823		10/2017	
CN	304426607		12/2017	
EM	0027560301-0001		9/2015	
EM	D04037588-0002		6/2017	

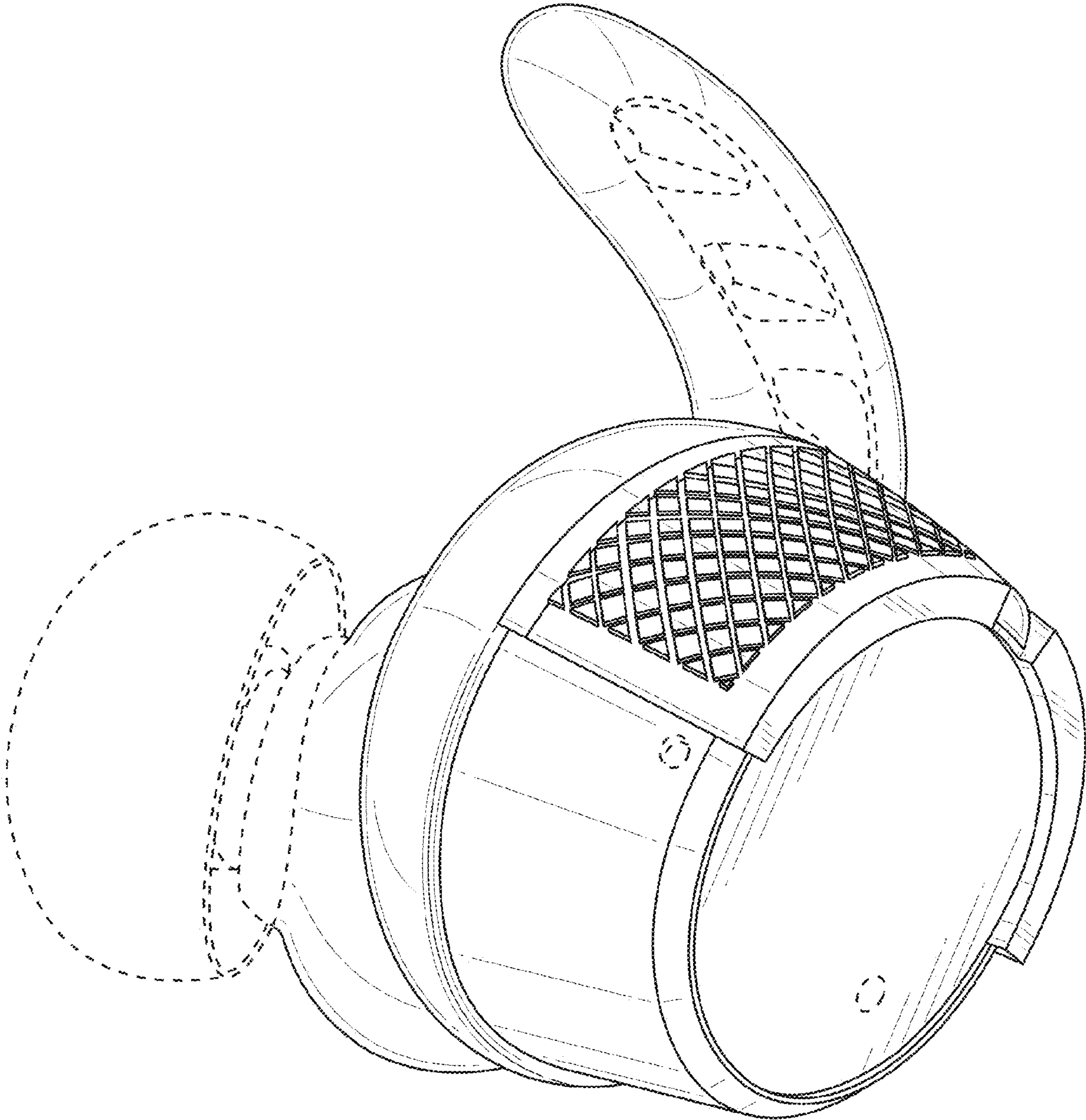
OTHER PUBLICATIONS

Design U.S. Appl. No. 29/560,428, filed Apr. 6, 2018.  
Design U.S. Appl. No. 29/615,326, filed Aug. 28, 2017.

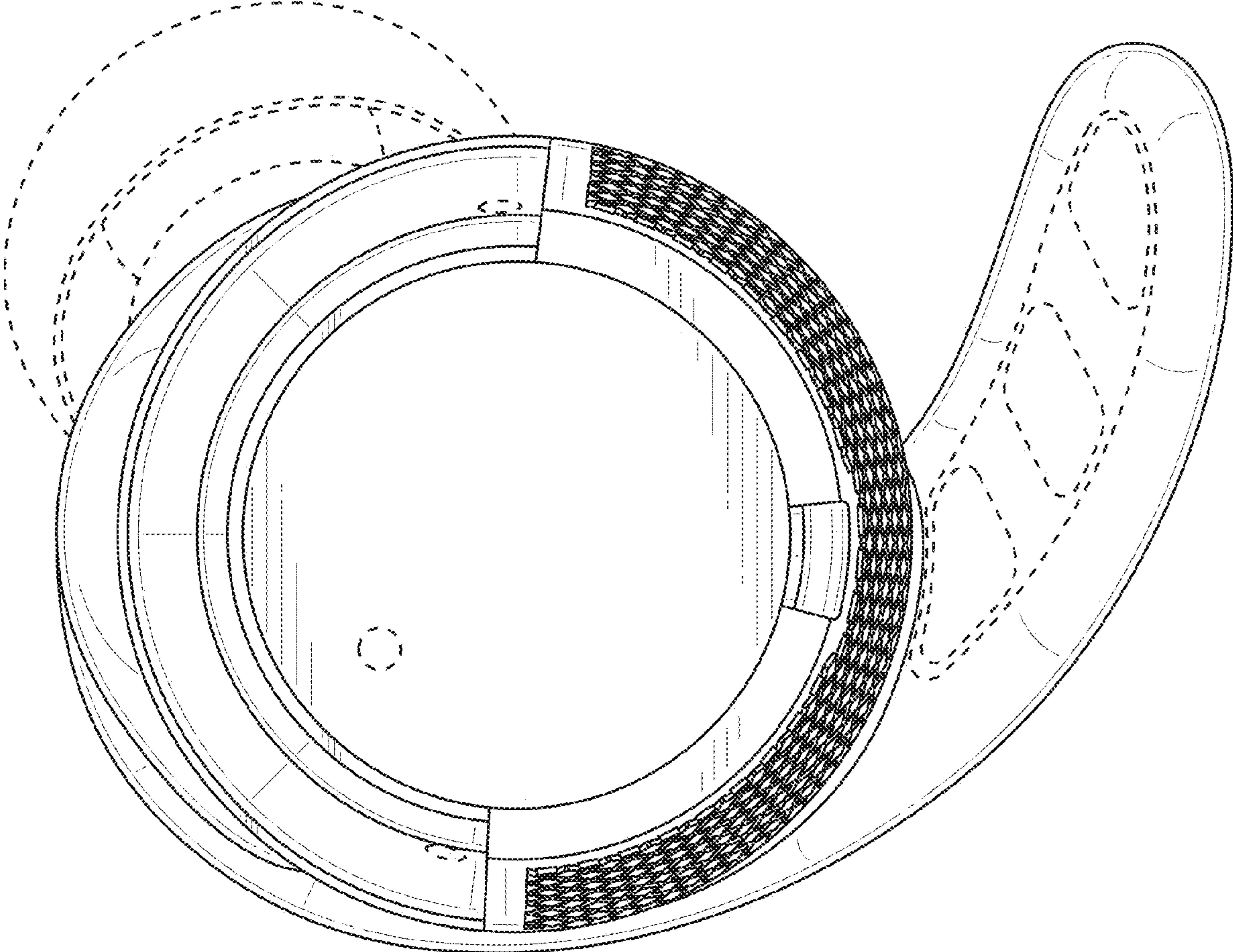
JBL Everest Elite 100 NXTGEN Noise-Cancelling Bluetooth In-Ear Headphones Black, first available Mar. 15, 2016, site visited Nov. 20, 2017, Copyright © 1996-2017, <[https://www.amazon.com/JBL-Everest-Elite-Noise-Cancelling-Bluetooth-Headphones/dp/B01D0CEC62/ref=sr\\_1\\_2\\_sspa?ie=UTF8&qid=1511212239&sr=8-2-spons&keywords=jbl+everest+elite&psc=1&smid=AKR88PAWTQVN2](https://www.amazon.com/JBL-Everest-Elite-Noise-Cancelling-Bluetooth-Headphones/dp/B01D0CEC62/ref=sr_1_2_sspa?ie=UTF8&qid=1511212239&sr=8-2-spons&keywords=jbl+everest+elite&psc=1&smid=AKR88PAWTQVN2)>.  
Design U.S. Appl. No. 29/631,265, filed Dec. 28, 2017.  
JBL Everest Elite 100 Quick Start Guide, JBL by Harman, Jan. 18, 2016.  
JBL Everest Elite 100 Specification Sheet, JBL by Harman, 2015.  
JBL Reflect Mini 2, published Jan. 7, 2019 [online], [retrieved May 8, 2019], Available from Internet, URL: <https://www.red-dot.org/project/jbl-reflect-mini-2-24666>.  
JBL Tune120TWS in-ear headphones, published Jan. 7, 2019 [online], [retrieved May 8, 2019], Available from Internet, URL: <https://news.harman.com/releases/releases-20181231-6736942>.  
JBL Under Armour Sport Wireless React Bluetooth In-Ear Headphones, published Dec. 8, 2018 [online], [retrieved Jul. 8, 2019], Available from Internet, URL: [https://www.bhphotovideo.com/c/product/1437894-REG/jbl\\_uajblreactblkam\\_under\\_armour\\_react\\_wireless.html](https://www.bhphotovideo.com/c/product/1437894-REG/jbl_uajblreactblkam_under_armour_react_wireless.html).  
JBL Under Armour Pivot Wireless Sport In-Ear Headphones, published Dec. 19, 2018 [online], [retrieved May 21, 2019], Available from Internet, URL: [https://www.bhphotovideo.com/c/product/11437243-Reg/jbl\\_uajblpivotblkarn\\_under\\_armour\\_sport\\_wireless.html](https://www.bhphotovideo.com/c/product/11437243-Reg/jbl_uajblpivotblkarn_under_armour_sport_wireless.html).  
UA True Wireless Flash, published Jan. 7, 2019 [online], [retrieved May 7, 2019], Available from Internet, URL: <<https://news.harman.com/releases/true-wireless-freedom-jblR-and-under-armourR-unleash-the-ua-flash-for-athletes-looking-to-push-limits>>.  
Design U.S. Appl. No. 29/631,197, filed Dec. 28, 2017.  
Design U.S. Appl. No. 29/631,217, filed Dec. 28, 2017.

\* cited by examiner

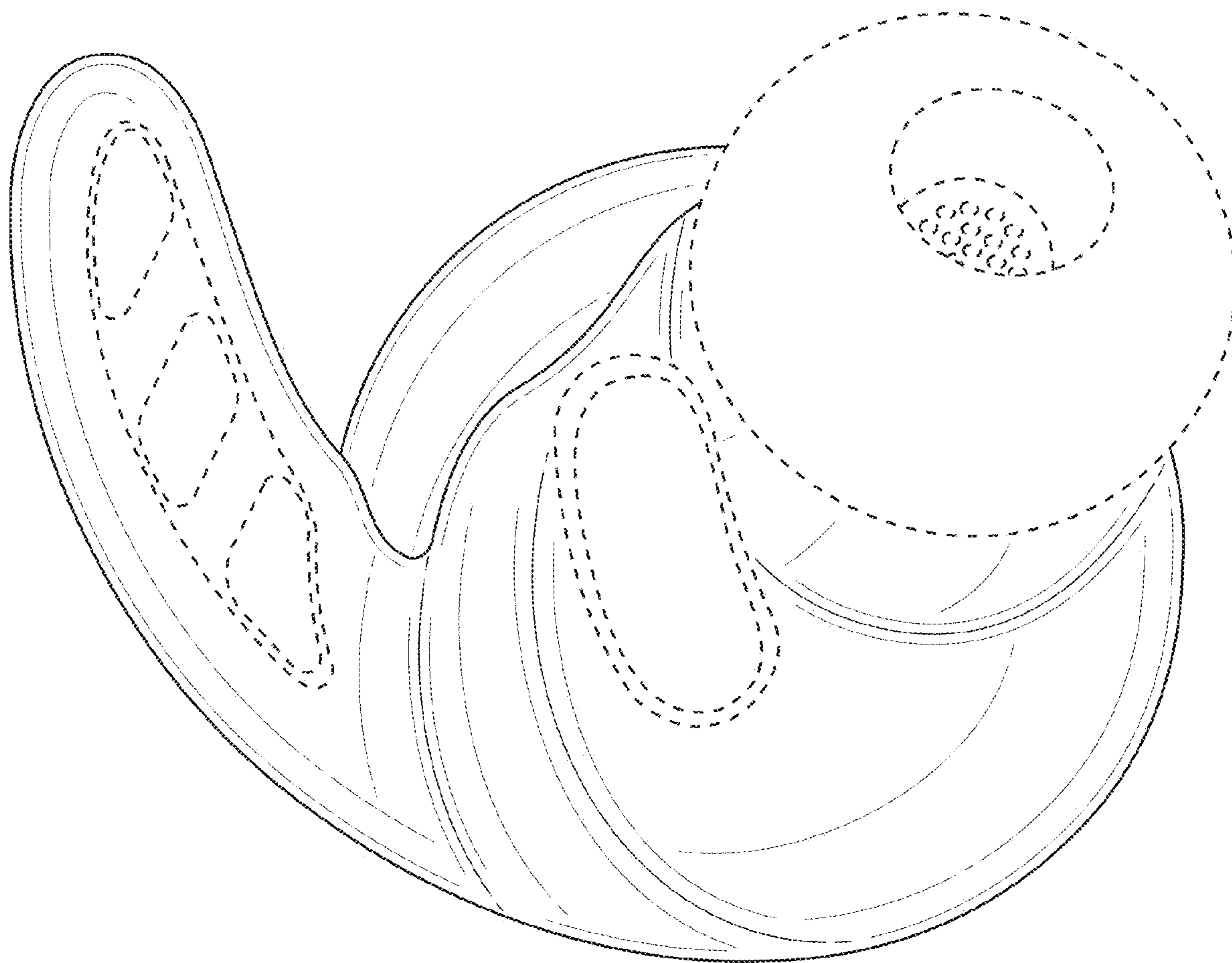




**FIG. 1**

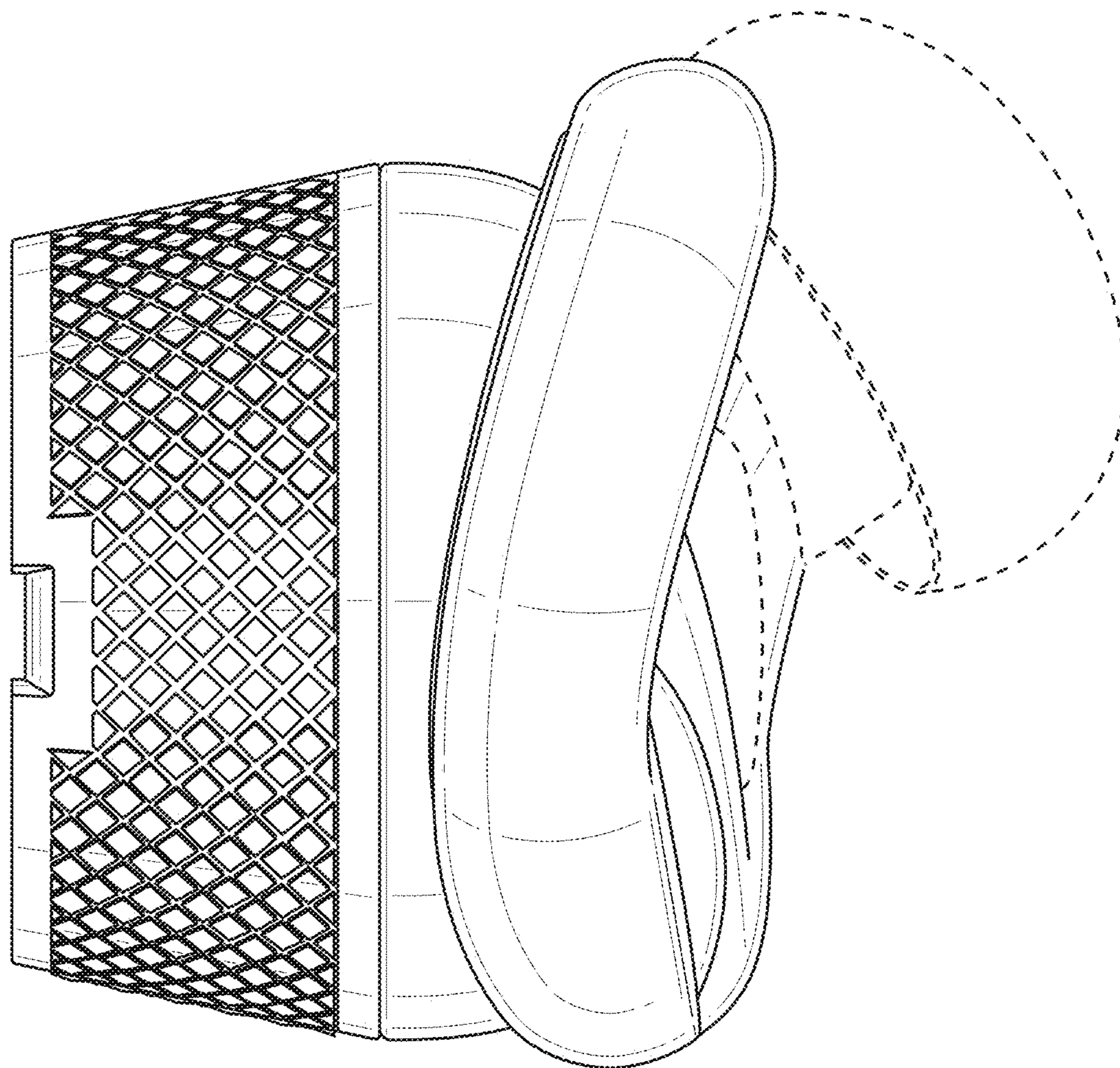


**FIG. 2**

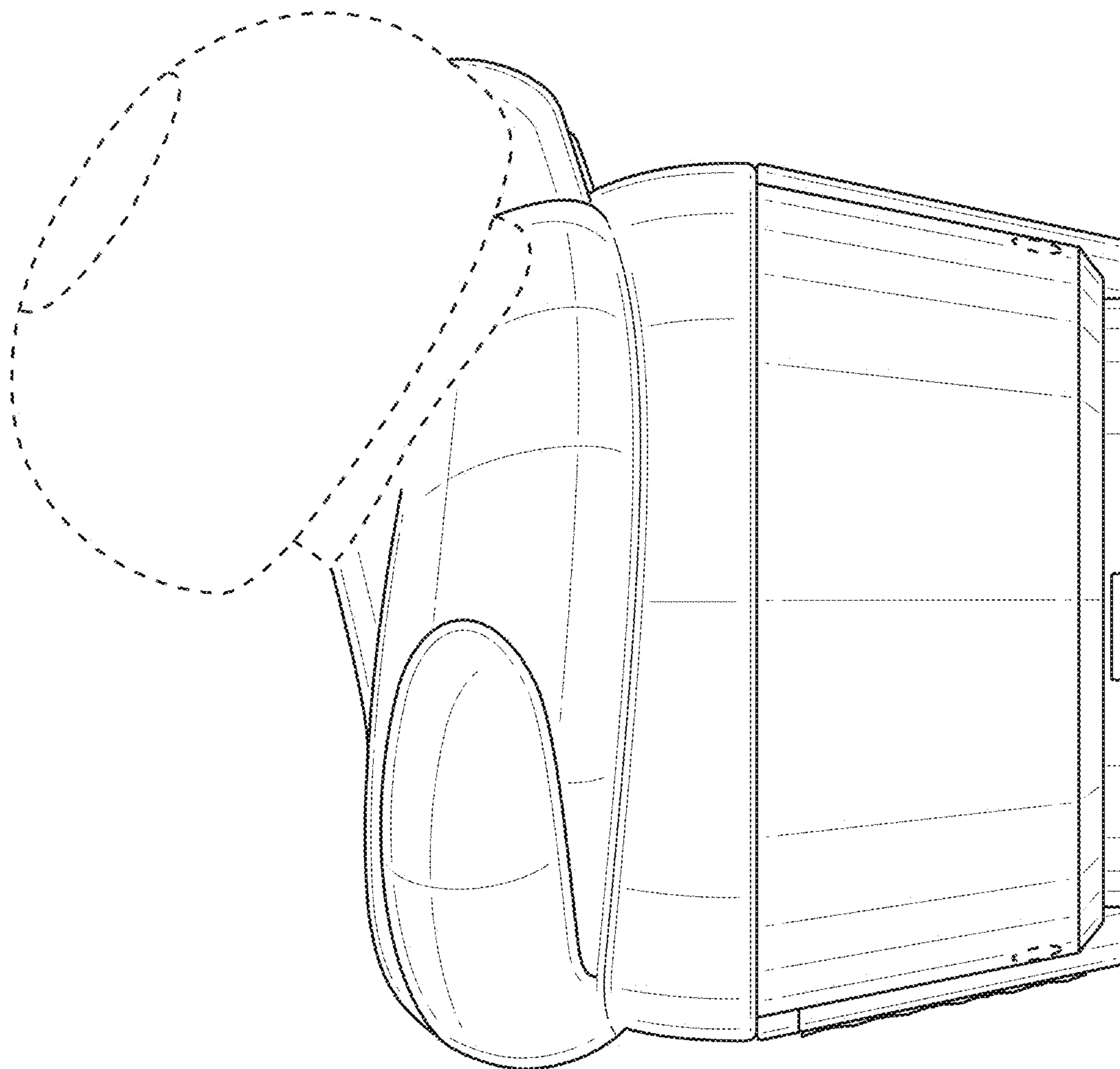


**FIG. 3**



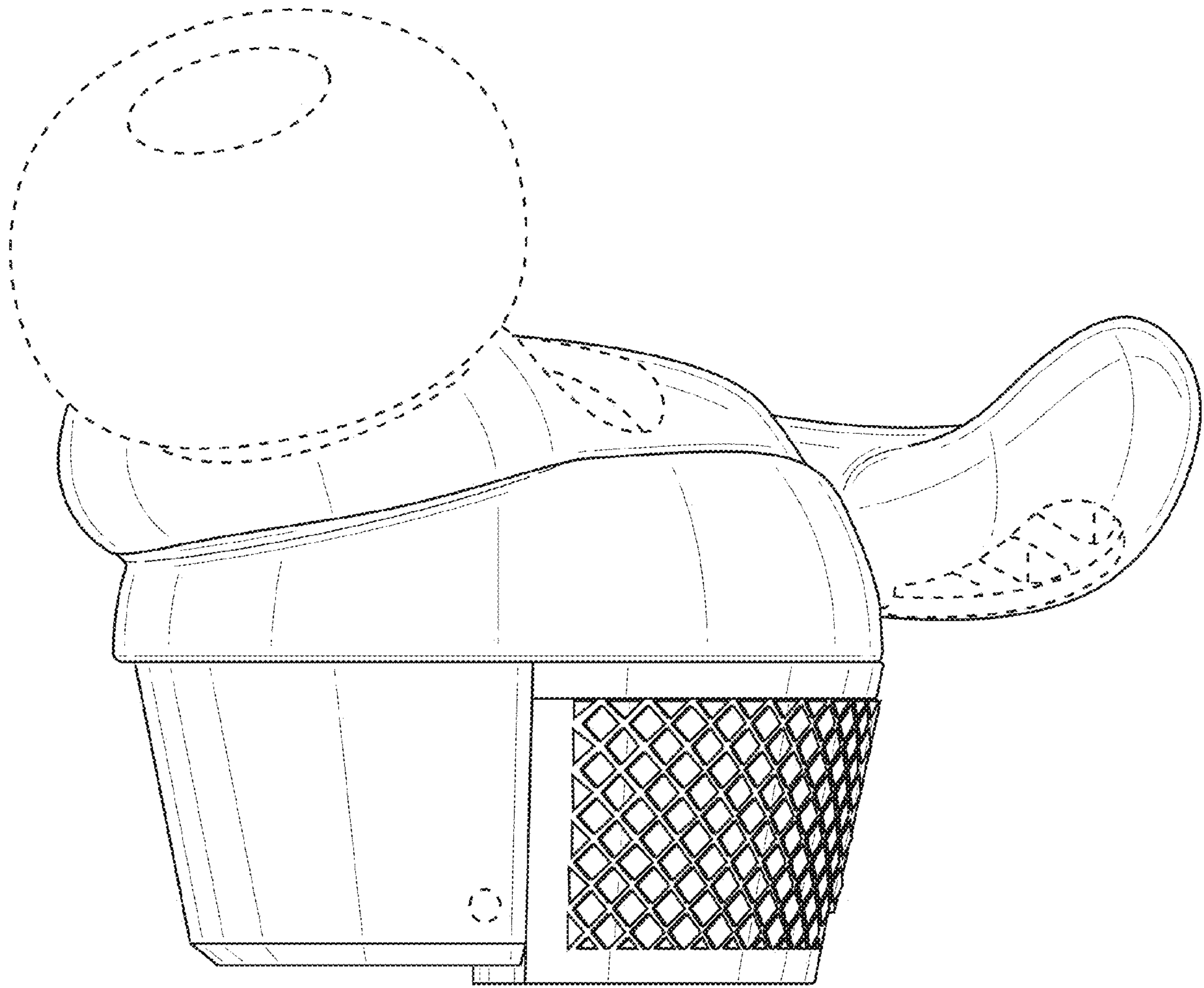


**FIG. 4**

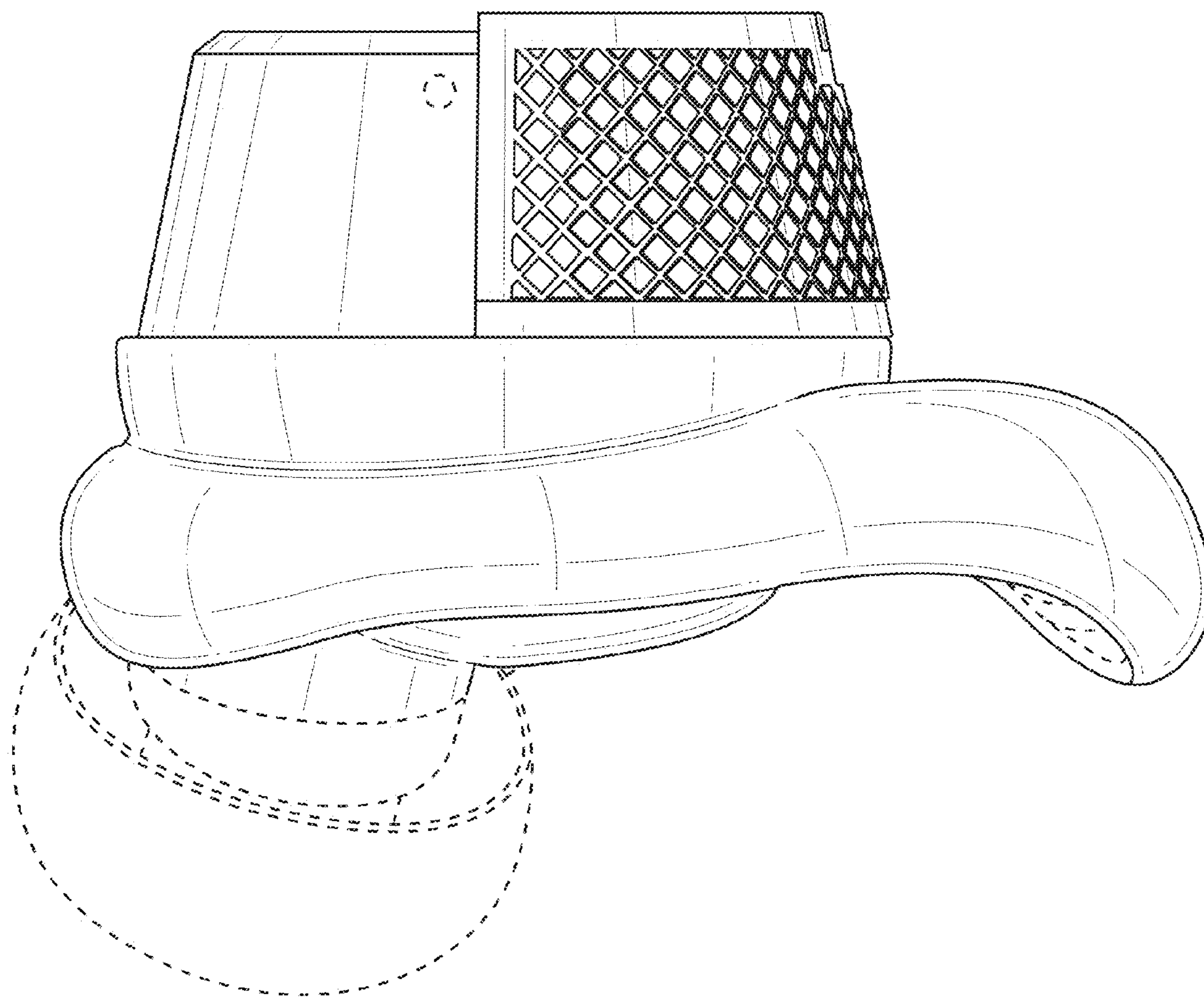


**FIG. 5**

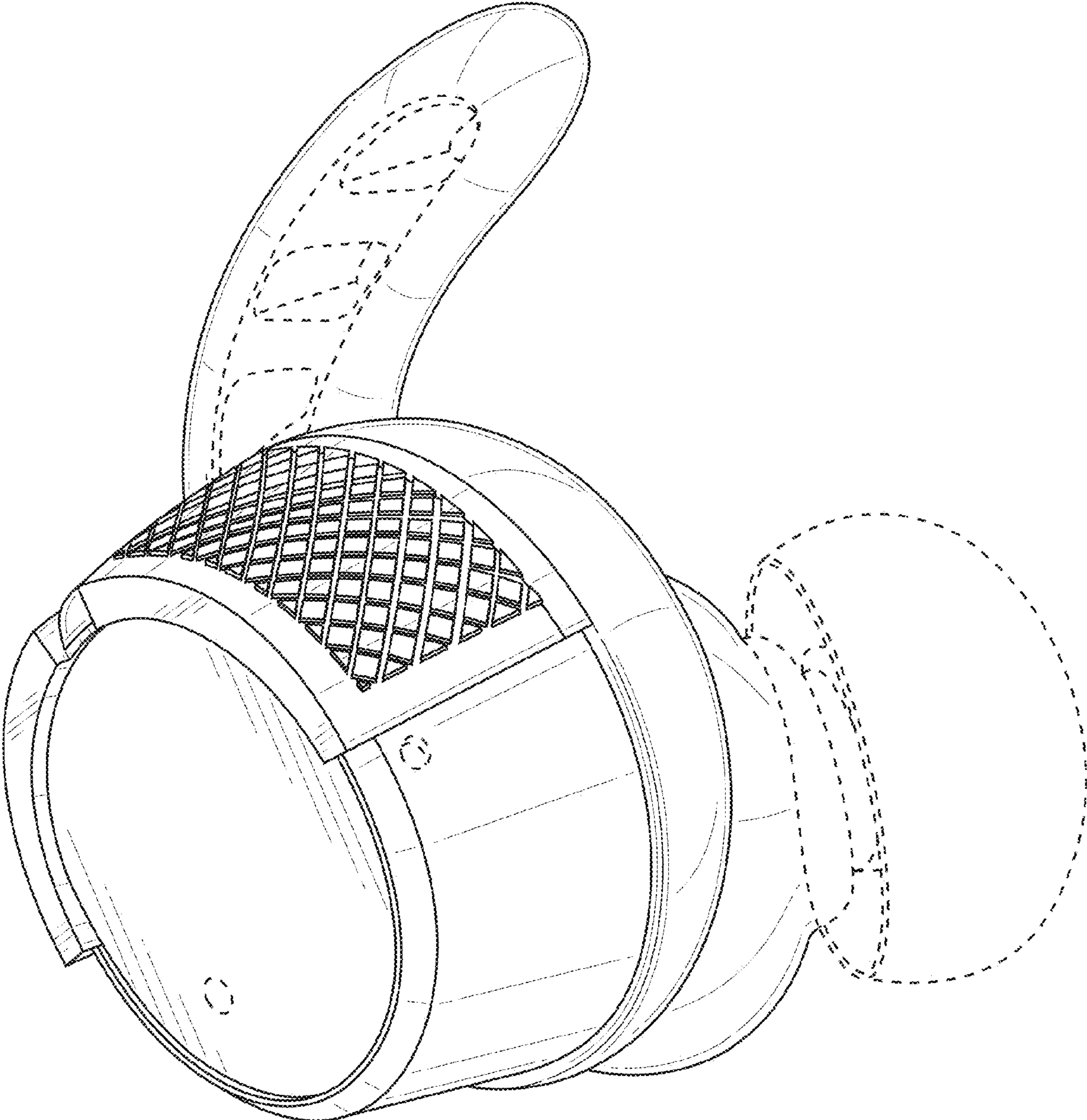




**FIG. 6**

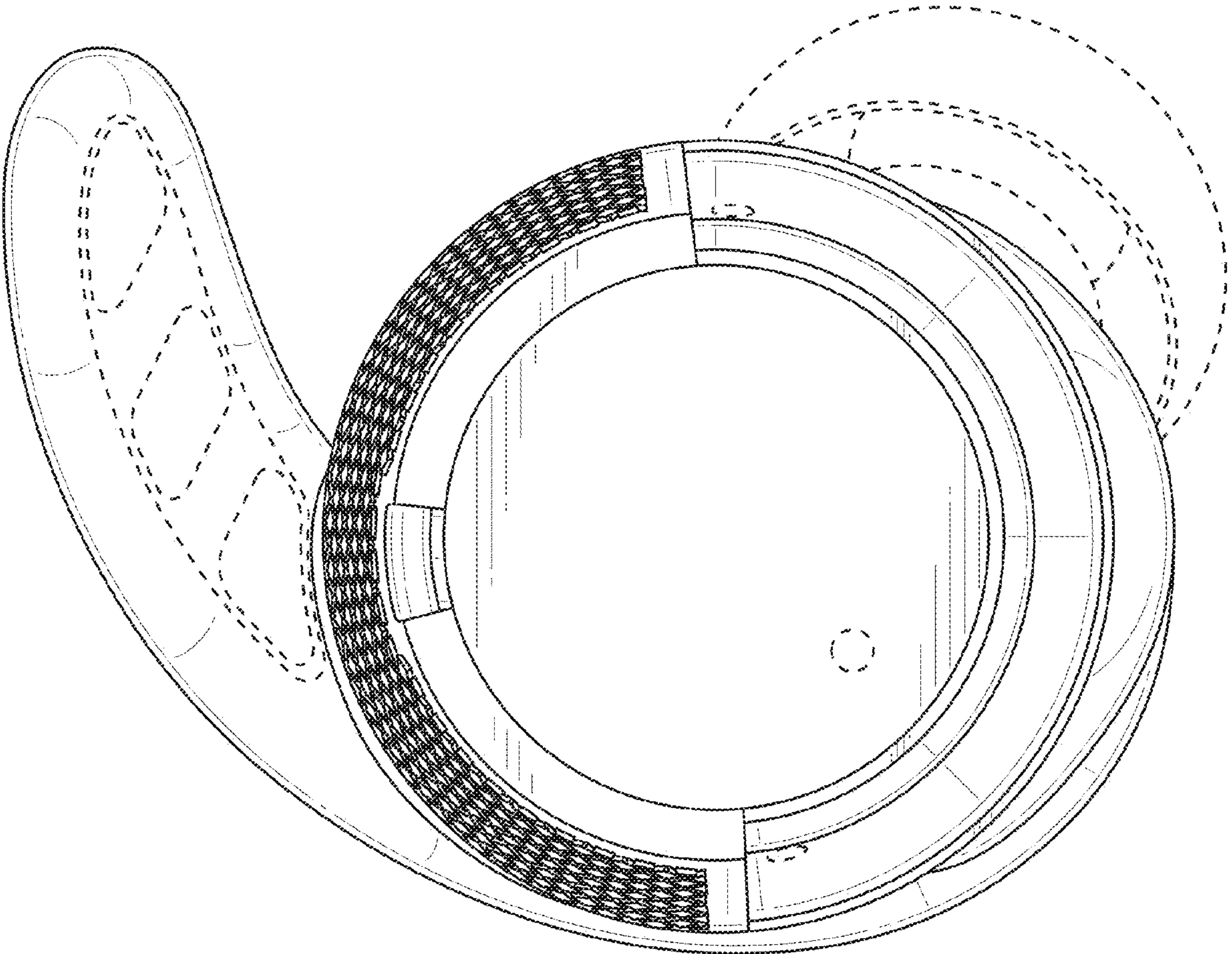


**FIG. 7**

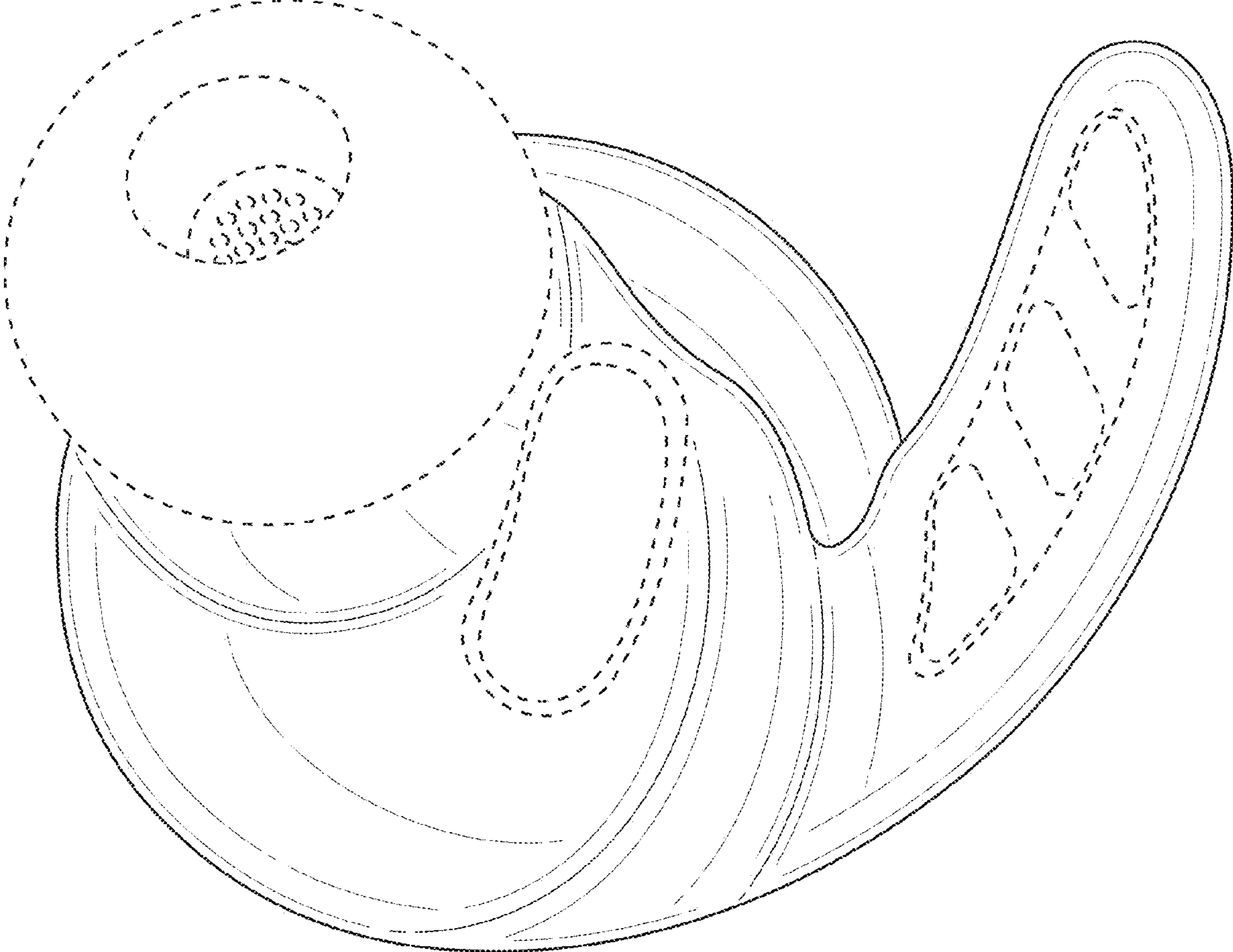


**FIG. 8**

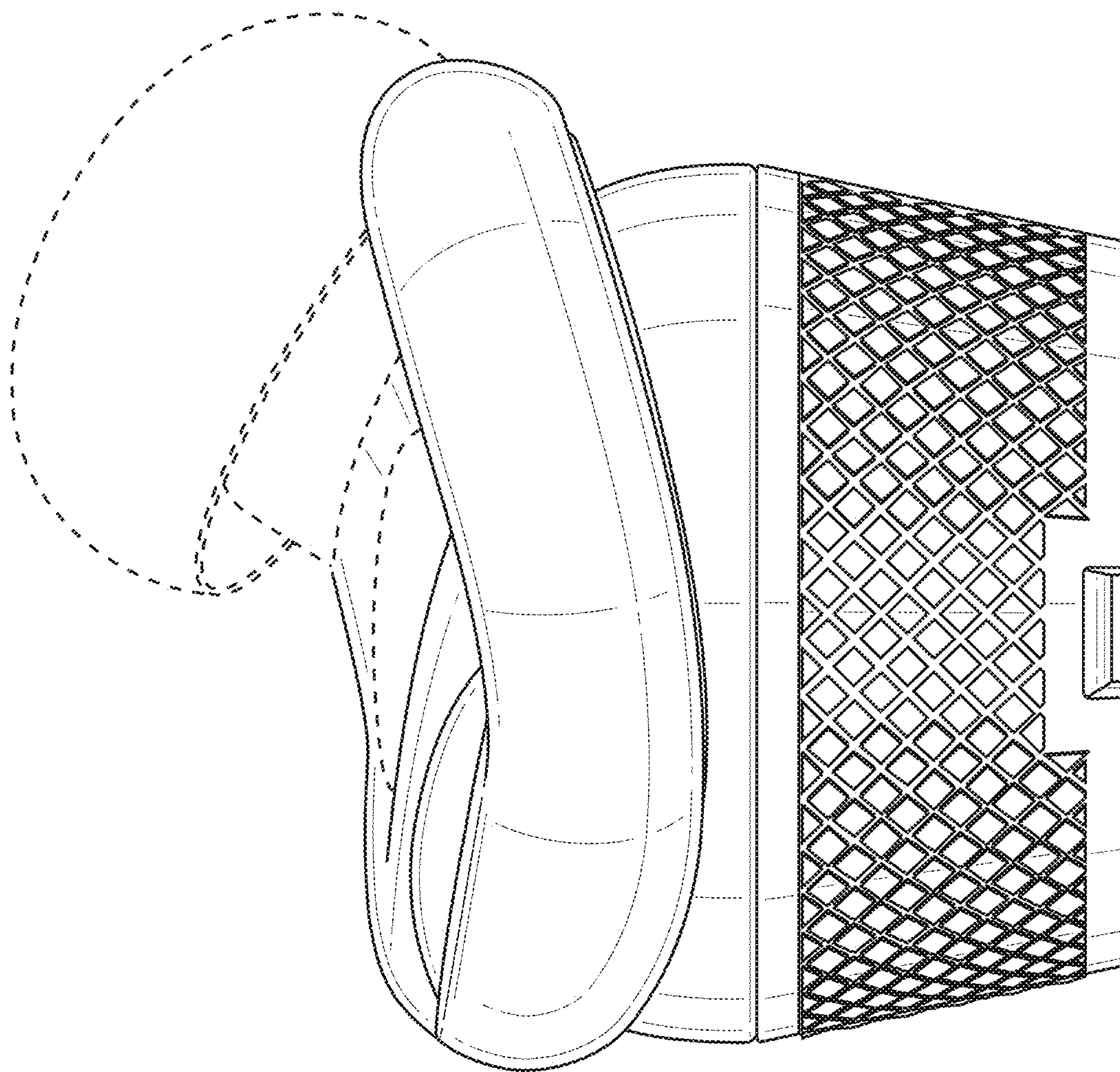




**FIG. 9**

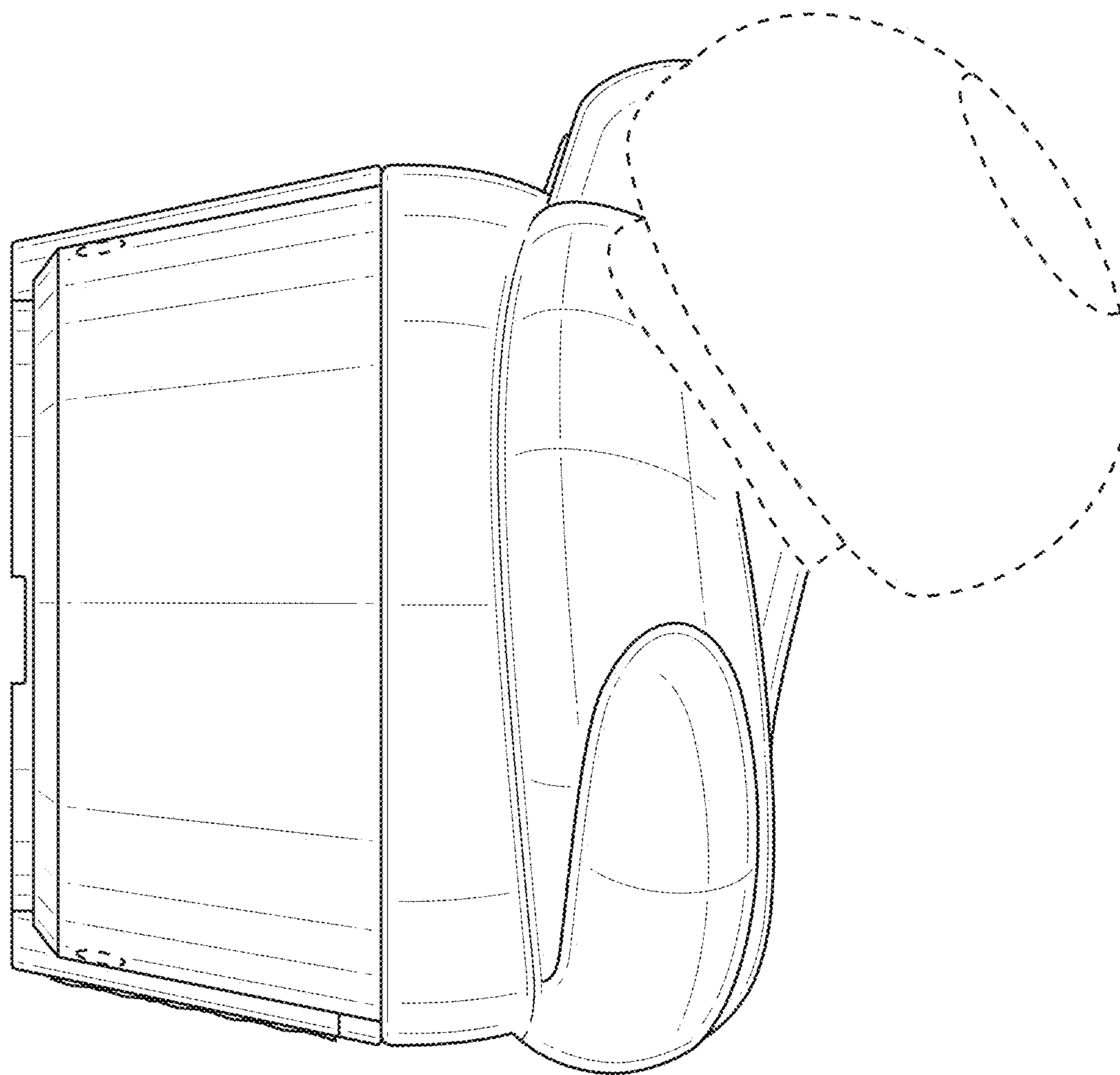


**FIG. 10**

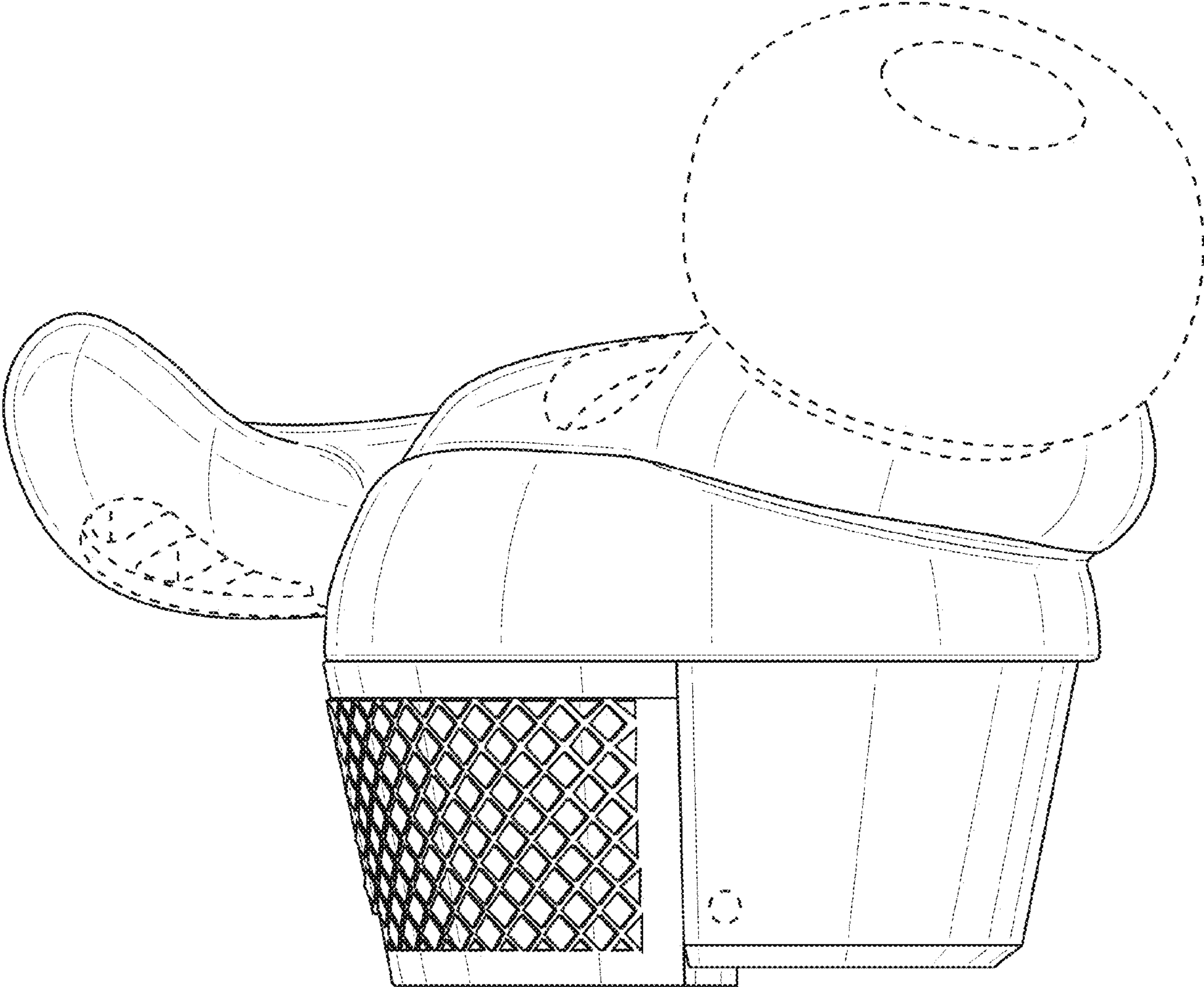


**FIG. 11**

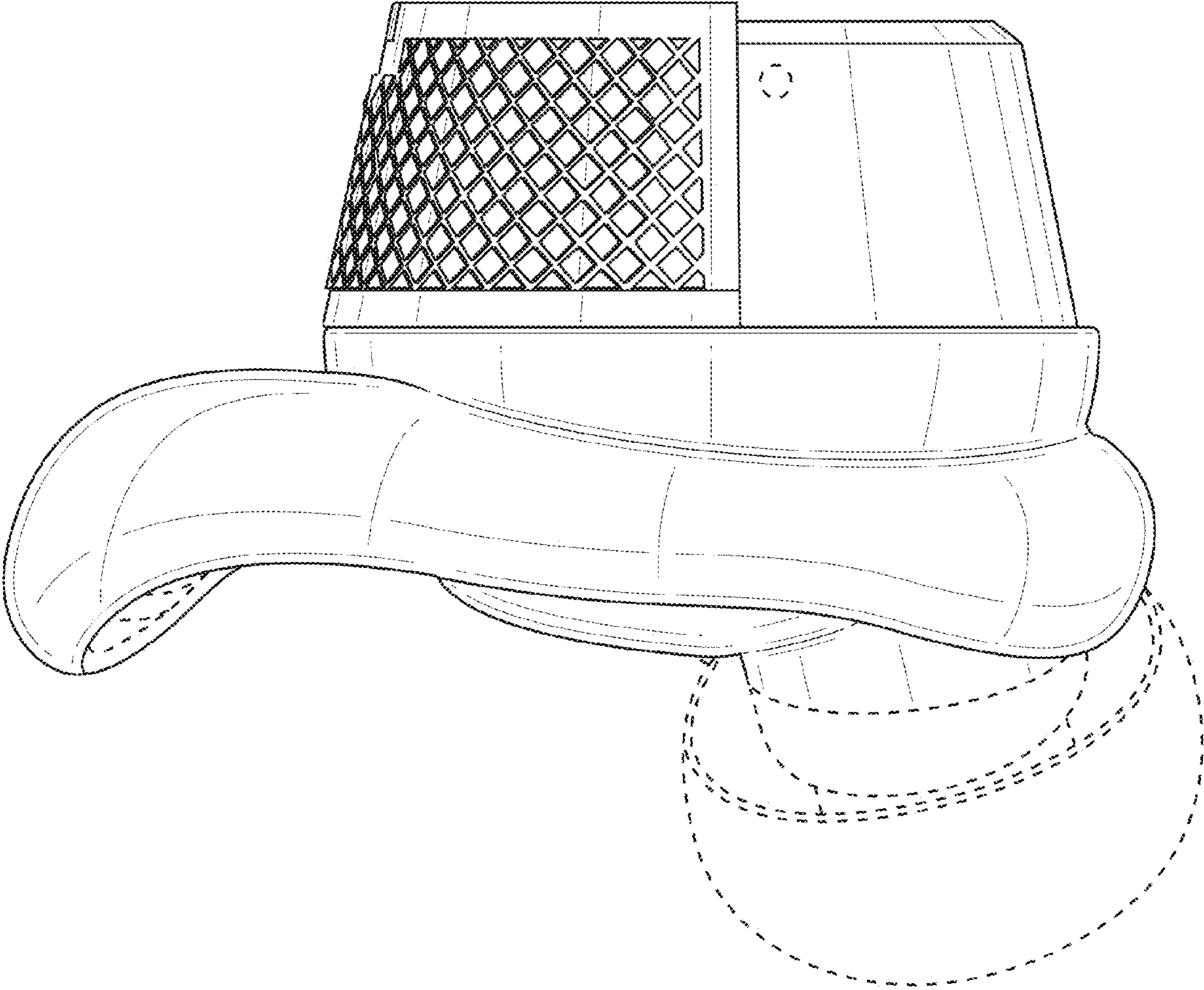




**FIG. 12**



**FIG. 13**



**FIG. 14**