



US00D870708S

(12) **United States Design Patent** (10) **Patent No.:** **US D870,708 S**
Lindenberger (45) **Date of Patent:** **** Dec. 24, 2019**

- (54) **HEADPHONE**
- (71) Applicant: **Harman International Industries, Incorporated**, Northridge, CA (US)
- (72) Inventor: **Laurent Lindenberger**, Shenzhen (CN)
- (73) Assignee: **Harman International Industries, Incorporated**, Northridge, CA (US)
- (**) Term: **15 Years**
- (21) Appl. No.: **29/631,188**
- (22) Filed: **Dec. 28, 2017**
- (51) **LOC (12) Cl.** **14-01**
- (52) **U.S. Cl.**
USPC **D14/223; D14/205**
- (58) **Field of Classification Search**
USPC D14/203.1, 204–206, 208–210, 212–217, D14/219, 221–225, 249, 372, 433, 138 R, D14/182, 188, 191–194, 172, 496; D29/112; D28/41; D2/875; D24/173–175, 106; D3/294, 273; D13/118, 108, 119
CPC H04R 25/02; H04R 25/00; H04R 1/10; H04R 1/1016; H04R 1/105; H04R 1/1083; H04R 1/02; H04R 1/1041; H04R 1/28; H04R 5/033; H04R 2420/07; H04R 2430/00; H04R 2430/01
See application file for complete search history.

- 2,805,332 A 9/1957 Bell
 - 2,910,679 A 10/1959 Baldwin
 - 2,964,596 A 12/1960 Christensen
 - 2,971,065 A 2/1961 Busse
 - 3,197,576 A 7/1965 Martin
 - 3,234,467 A 2/1966 Haveson
 - 3,324,253 A 6/1967 Uemura et al.
- (Continued)

OTHER PUBLICATIONS

Design U.S. Appl. No. 29/588,699, filed Dec. 22, 2016.

Primary Examiner — Barbara Fox
Assistant Examiner — Mary Claire Ramirez
(74) *Attorney, Agent, or Firm* — Plumsea Law Group, LLC

(57) **CLAIM**

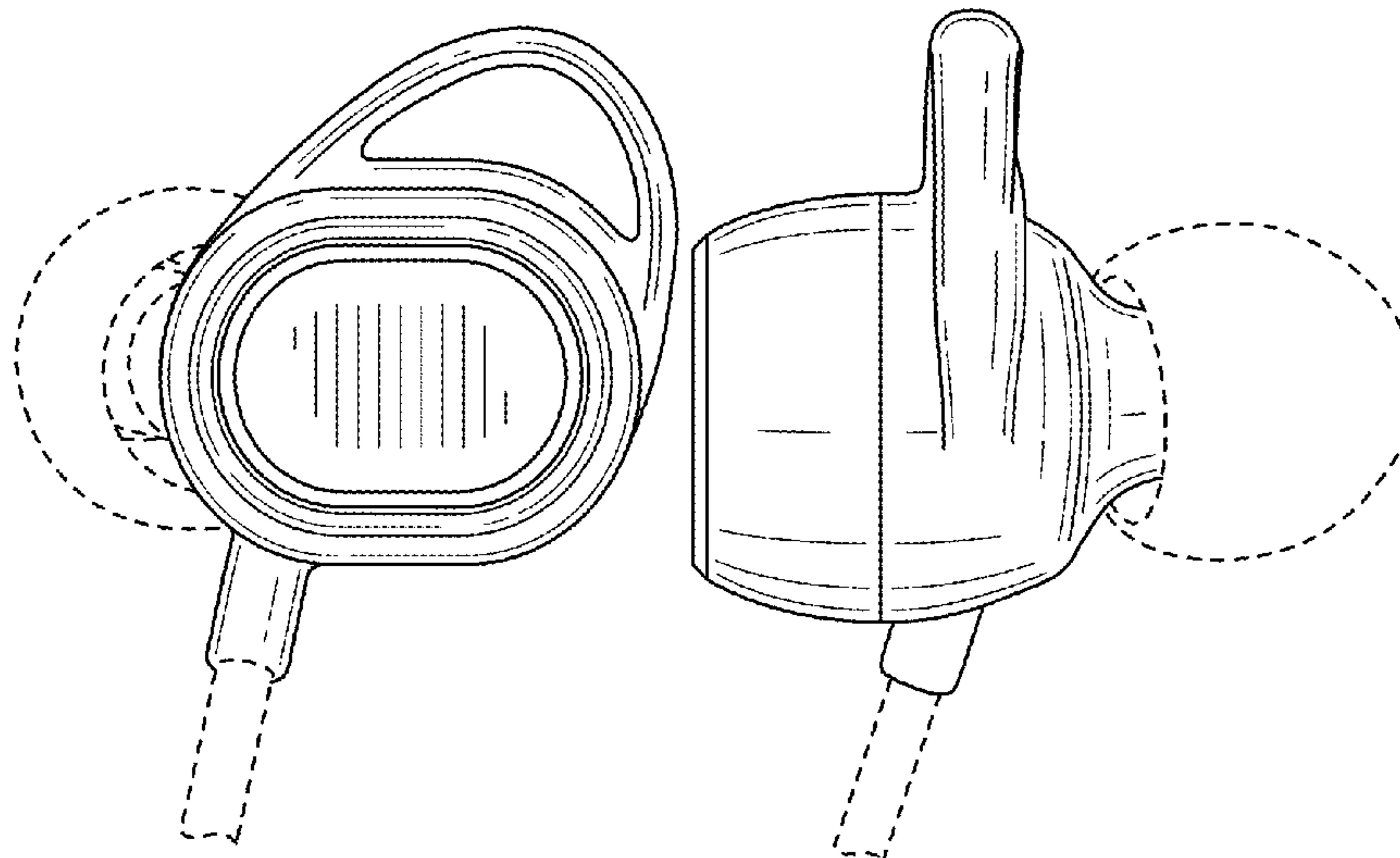
The ornamental design for a headphone, as shown and described.

DESCRIPTION

FIG. 1 is a perspective view of a headphone showing the new design in a first embodiment;
FIG. 2 is a front elevational view thereof;
FIG. 3 is a rear elevational view thereof;
FIG. 4 is a side elevational view thereof;
FIG. 5 is an opposite side elevational view thereof;
FIG. 6 is a top view thereof;
FIG. 7 is a bottom view thereof;
FIG. 8 is a perspective view of a headphone showing the new design in a second embodiment;
FIG. 9 is a front elevational view thereof;
FIG. 10 is a rear elevational view thereof;
FIG. 11 is a side elevational view thereof;
FIG. 12 is an opposite side elevational view thereof;
FIG. 13 is a top view thereof; and,
FIG. 14 is a bottom view thereof.
The broken lines shown in the drawings depict portions of the headphone that form no part of the claimed design.

1 Claim, 6 Drawing Sheets

- (56) **References Cited**
U.S. PATENT DOCUMENTS
- 1,312,493 A 8/1919 Theis
- 1,624,144 A 4/1927 Mathieu
- 1,668,890 A 5/1928 Curran et al.
- 1,668,910 A 5/1928 Jones
- 1,753,817 A 4/1930 Aber
- 2,377,739 A 6/1945 Wyckoff
- 2,595,672 A 5/1952 Greenwood
- 2,719,523 A 10/1955 Von Gierke
- 2,754,365 A 7/1956 Walters



(56)

References Cited

U.S. PATENT DOCUMENTS

3,440,365 A	4/1969	Bryant et al.	D637,997 S	5/2011	Peller	
3,457,375 A	7/1969	Haggerty	D637,998 S	5/2011	Brunner et al.	
D215,675 S	10/1969	Yran	D637,999 S	5/2011	Brunner et al.	
3,730,181 A	5/1973	Fling	D641,010 S	7/2011	Kwon	
3,783,201 A	1/1974	Weiss et al.	D643,416 S	8/2011	Chong et al.	
3,821,647 A	6/1974	Minasian	D649,957 S	12/2011	Fahrendorff et al.	
D236,988 S	9/1975	Walters et al.	D652,817 S	1/2012	Lee et al.	
4,069,400 A	1/1978	Johanson et al.	D652,822 S	1/2012	Lee et al.	
D259,279 S	5/1981	Takeda	D654,056 S	2/2012	Hoggarth et al.	
4,335,281 A	6/1982	Scott et al.	8,175,315 B2 *	5/2012	Tanaka	H04R 1/1016 381/370
4,457,396 A	7/1984	James	D666,581 S	9/2012	Perez	
4,539,708 A	9/1985	Norris	D667,123 S *	9/2012	Takemoto	D24/174
4,585,089 A	4/1986	Topholm	8,275,166 B2	9/2012	Wu	
4,617,431 A	10/1986	Scott et al.	D668,244 S	10/2012	Matsumura	
D287,764 S	1/1987	Topholm	D675,595 S *	2/2013	Cho	D14/205
D287,765 S	1/1987	Topholm	D675,599 S *	2/2013	Kumagai	D14/223
D295,173 S	4/1988	Oren	D683,332 S	5/2013	Lee et al.	
4,736,430 A	4/1988	Schroder	D685,764 S	7/2013	Coulter	
4,736,435 A	4/1988	Yokoyama et al.	D697,058 S	1/2014	Thompson et al.	
4,917,504 A	4/1990	Scott et al.	D699,226 S	2/2014	Yoon	
4,937,876 A	6/1990	Biermans	D700,905 S *	3/2014	Pavitsich	D14/223
4,965,838 A	10/1990	Kamon et al.	D705,757 S *	5/2014	Yashiro	H04R 1/10 D14/223
D315,350 S	3/1991	Ikeda	D708,163 S *	7/2014	Ishikura	D14/205
D319,576 S	9/1991	Westphal et al.	D708,164 S *	7/2014	Ishikura	D14/205
5,054,079 A	10/1991	Frielingsdorf et al.	8,776,801 B2	7/2014	McIntosh	
D321,881 S	11/1991	Hopewell	D711,356 S	8/2014	Yang	
D348,066 S	6/1994	Lucey	D712,873 S *	9/2014	Krauss	D14/205
D363,487 S	10/1995	Thurnau	D718,745 S *	12/2014	Thompson	D14/223
D367,113 S	2/1996	Weeks	D719,548 S *	12/2014	Thompson	D14/223
5,659,156 A	8/1997	Mauney et al.	D719,550 S	12/2014	Yang	
5,867,582 A	2/1999	Nagayoshi	D725,082 S	3/2015	Palmborg et al.	
D417,465 S	12/1999	Kreitz et al.	8,983,108 B2	3/2015	Ho	
6,122,388 A	9/2000	Feldman	D726,145 S	4/2015	Hsieh et al.	
D435,036 S	12/2000	Koss et al.	D727,871 S	4/2015	Orbach	
6,427,018 B1	7/2002	Keliiliki	D733,102 S	6/2015	Palmborg et al.	
D468,301 S	1/2003	Fushimi	D735,169 S	7/2015	Shieh	
D477,593 S	7/2003	Komiyama	9,087,506 B1	7/2015	Kraft et al.	
D477,822 S	7/2003	Komiyama	D735,699 S *	8/2015	Yasuda	D14/223
D481,709 S	11/2003	Solderits	D736,749 S *	8/2015	Yasuda	D14/223
6,704,429 B2	3/2004	Lin	D737,251 S *	8/2015	Thompson	D14/223
D505,411 S	5/2005	Sakai	D739,851 S	9/2015	Donohue, II et al.	
D512,049 S	11/2005	Yang	9,131,308 B2	9/2015	Kraft et al.	
D519,108 S	4/2006	Yang	D740,255 S *	10/2015	Samrelius	D14/206
D527,343 S *	8/2006	Navarez	D742,861 S	11/2015	Miyake et al.	
7,113,611 B2	9/2006	Leedom et al.	D743,949 S	11/2015	Miyake et al.	
D529,901 S *	10/2006	Ohta	D751,530 S *	3/2016	Kolton	D14/205
7,120,267 B2	10/2006	Ito et al.	D764,445 S	8/2016	Czaniecki	
D544,463 S *	6/2007	Harris	D773,032 S	11/2016	Palmborg et al.	
D549,222 S	8/2007	Huang	D775,108 S	12/2016	Hsieh et al.	
D550,657 S	9/2007	Gan et al.	D777,149 S	1/2017	Bonahoom et al.	
D554,627 S	11/2007	Gondo	D777,710 S	1/2017	Palmborg et al.	
D564,495 S	3/2008	Sasaki	9,565,491 B2	2/2017	Baker et al.	
D566,099 S	4/2008	Komiyama	D781,269 S	3/2017	Choe et al.	
D567,217 S	4/2008	Kamo et al.	D782,997 S	4/2017	Shin et al.	
D569,841 S	5/2008	Chung et al.	D782,998 S	4/2017	Shin et al.	
D578,507 S	10/2008	Ando	D794,611 S *	8/2017	Valenzuela	D14/223
D579,005 S	10/2008	Wilhelmsen	D795,224 S *	8/2017	Valenzuela	D14/223
D581,394 S *	11/2008	Lee	D798,843 S	10/2017	Valenzuela et al.	
D581,943 S *	12/2008	Pedersen	D800,703 S *	10/2017	Vaclavik	D14/223
D586,332 S	2/2009	Ewert et al.	D801,950 S *	11/2017	Otani	D14/223
D588,111 S	3/2009	Komiyama	D806,059 S *	12/2017	Ott	D14/223
D593,997 S	6/2009	Mauritzsson	D806,685 S *	1/2018	Park	D14/223
D594,441 S *	6/2009	Lee	D810,720 S *	2/2018	Lee	D14/205
D595,262 S *	6/2009	Nousiainen	D810,724 S	2/2018	Czaniecki et al.	
D597,084 S	7/2009	Gondo	D815,069 S	4/2018	Xiong	
D601,548 S *	10/2009	Morisawa	D816,637 S	5/2018	Hardi	
D603,380 S	11/2009	Hutchieson	D817,303 S *	5/2018	Tragatschnig	D14/205
D605,182 S *	12/2009	Fagnot	D817,309 S	5/2018	Czaniecki et al.	
D605,628 S *	12/2009	Ando	D819,592 S *	6/2018	Folkmann	D14/149
D606,971 S	12/2009	Christopher et al.	D833,420 S *	11/2018	Lindenberger	D14/223
D611,934 S	3/2010	Schaefer	D845,281 S *	4/2019	Lee	D14/223
D614,168 S *	4/2010	Rogers	D845,933 S *	4/2019	Lee	D14/223
D617,770 S *	6/2010	Sanguinetti	2007/0263896 A1	11/2007	Chen	
D629,793 S *	12/2010	Goransson	2011/0103637 A1 *	5/2011	Yuen	H04R 1/1041 381/380
D631,470 S	1/2011	Yoneyama et al.	2011/0142276 A1	6/2011	Uchida et al.	
			2012/0087532 A1	4/2012	Yang	

(56)

References Cited

U.S. PATENT DOCUMENTS

2013/0114841 A1* 5/2013 Hwang H04R 1/10
381/374
2013/0170692 A1 7/2013 Kaneko et al.
2017/0026738 A1 1/2017 Tang

* cited by examiner

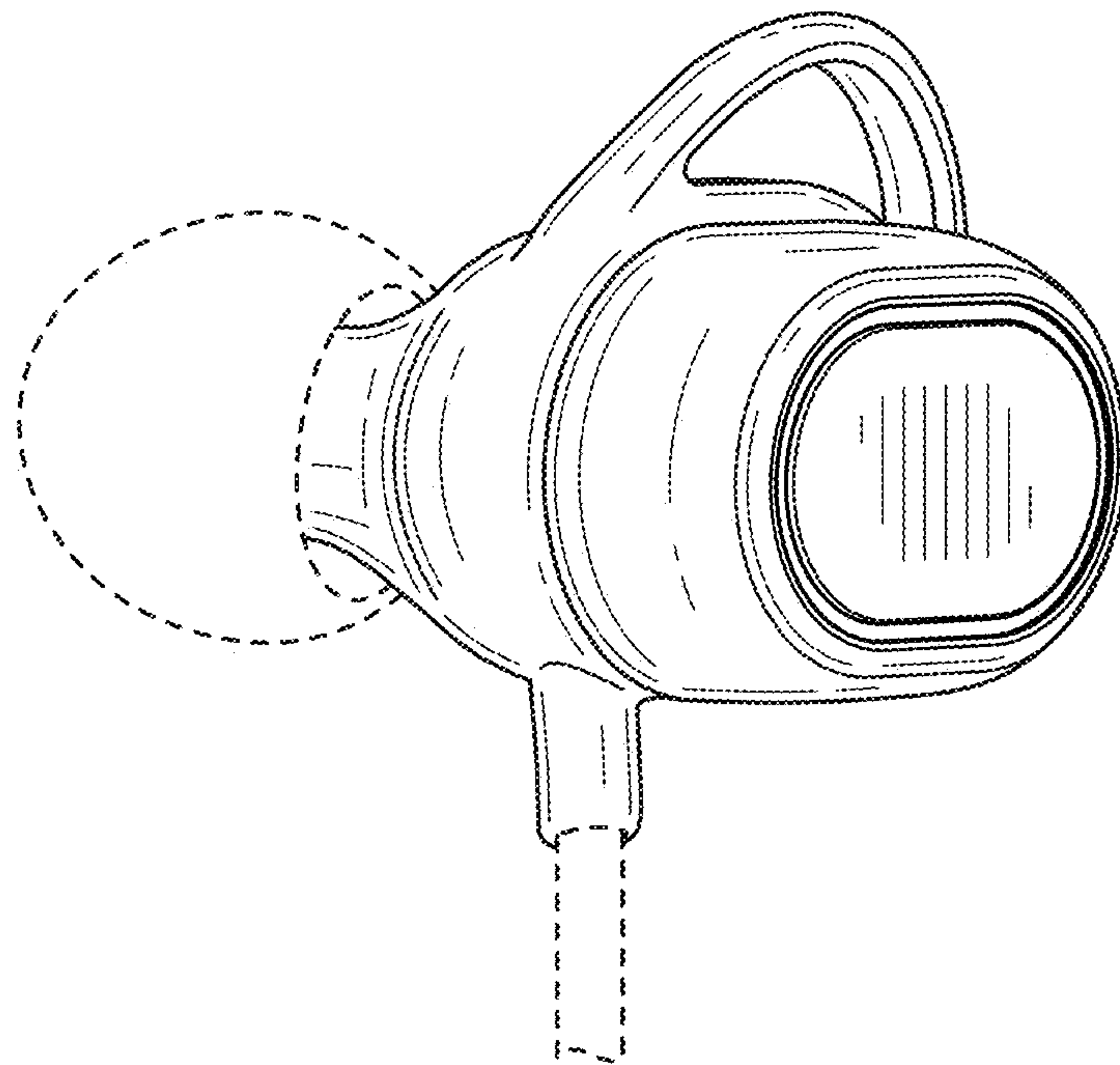


FIG. 1

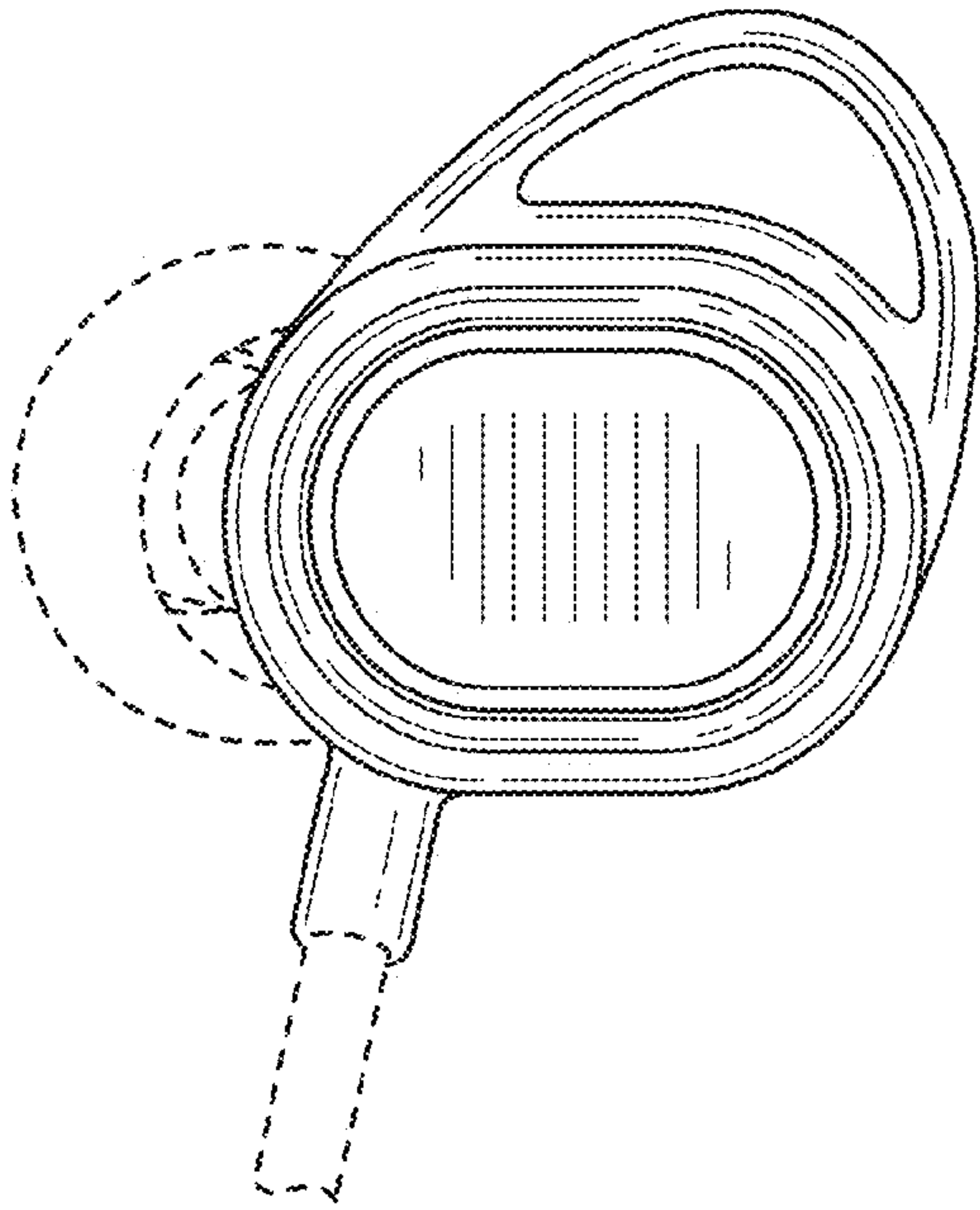


FIG. 2

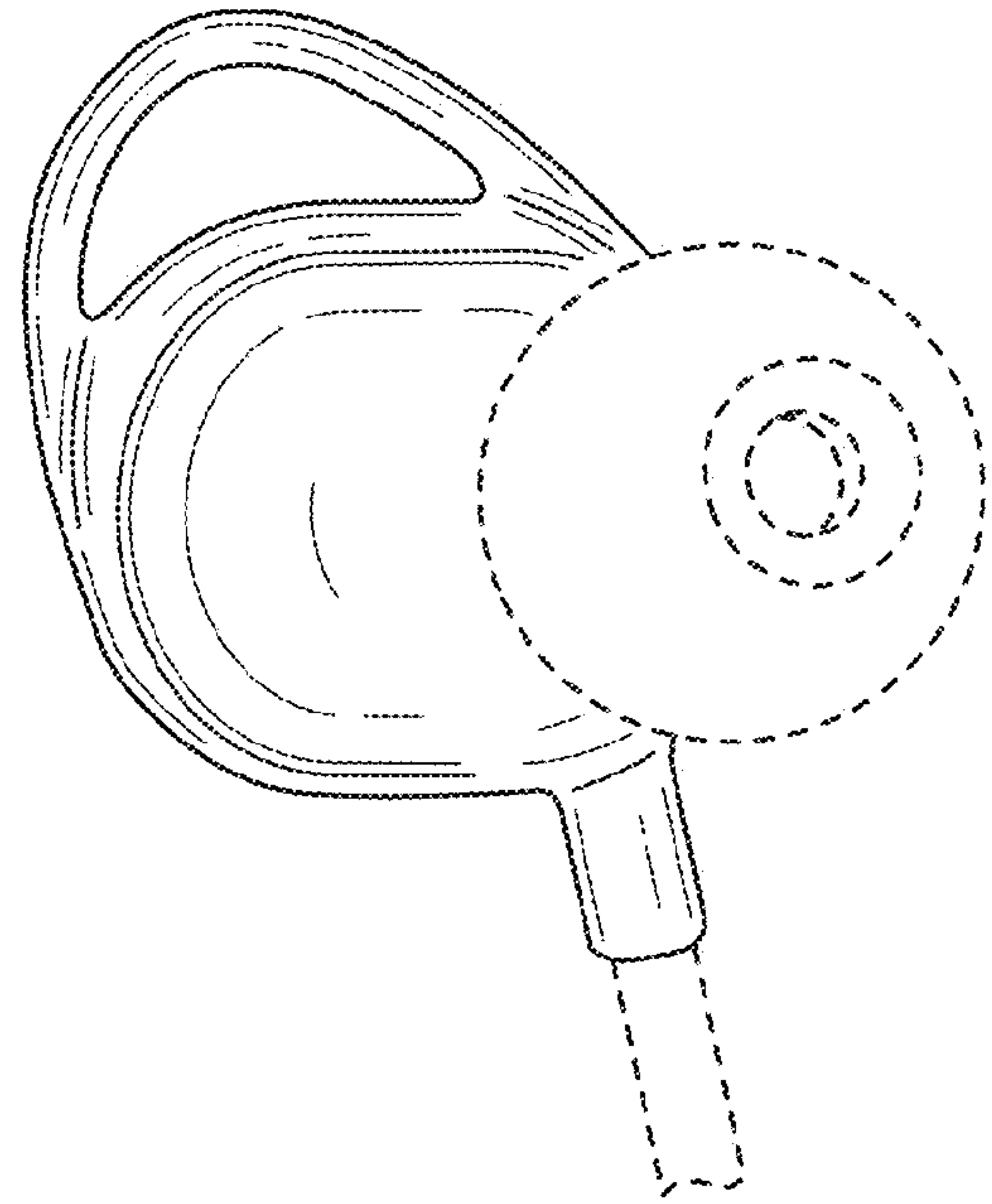


FIG. 3

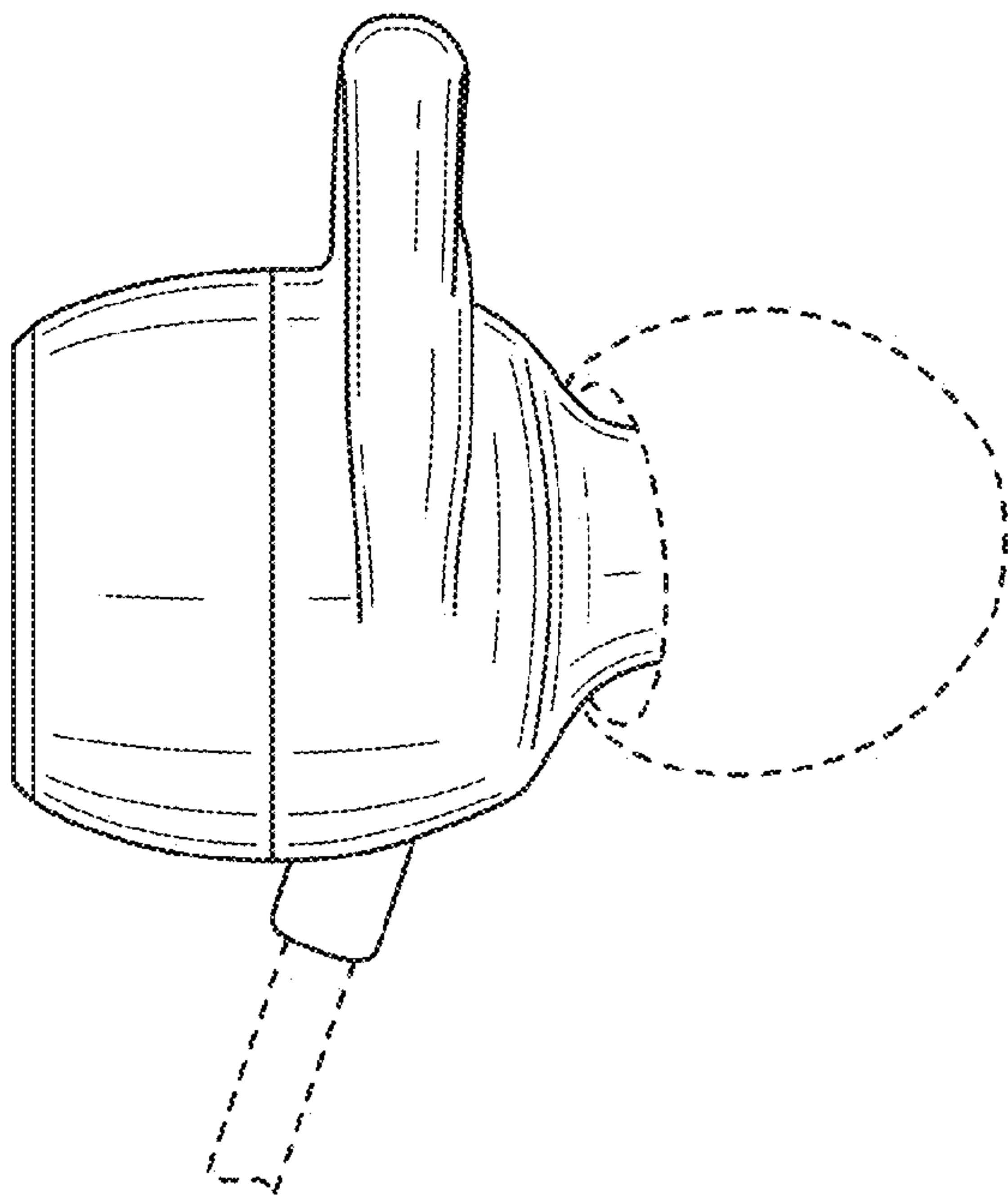


FIG. 4

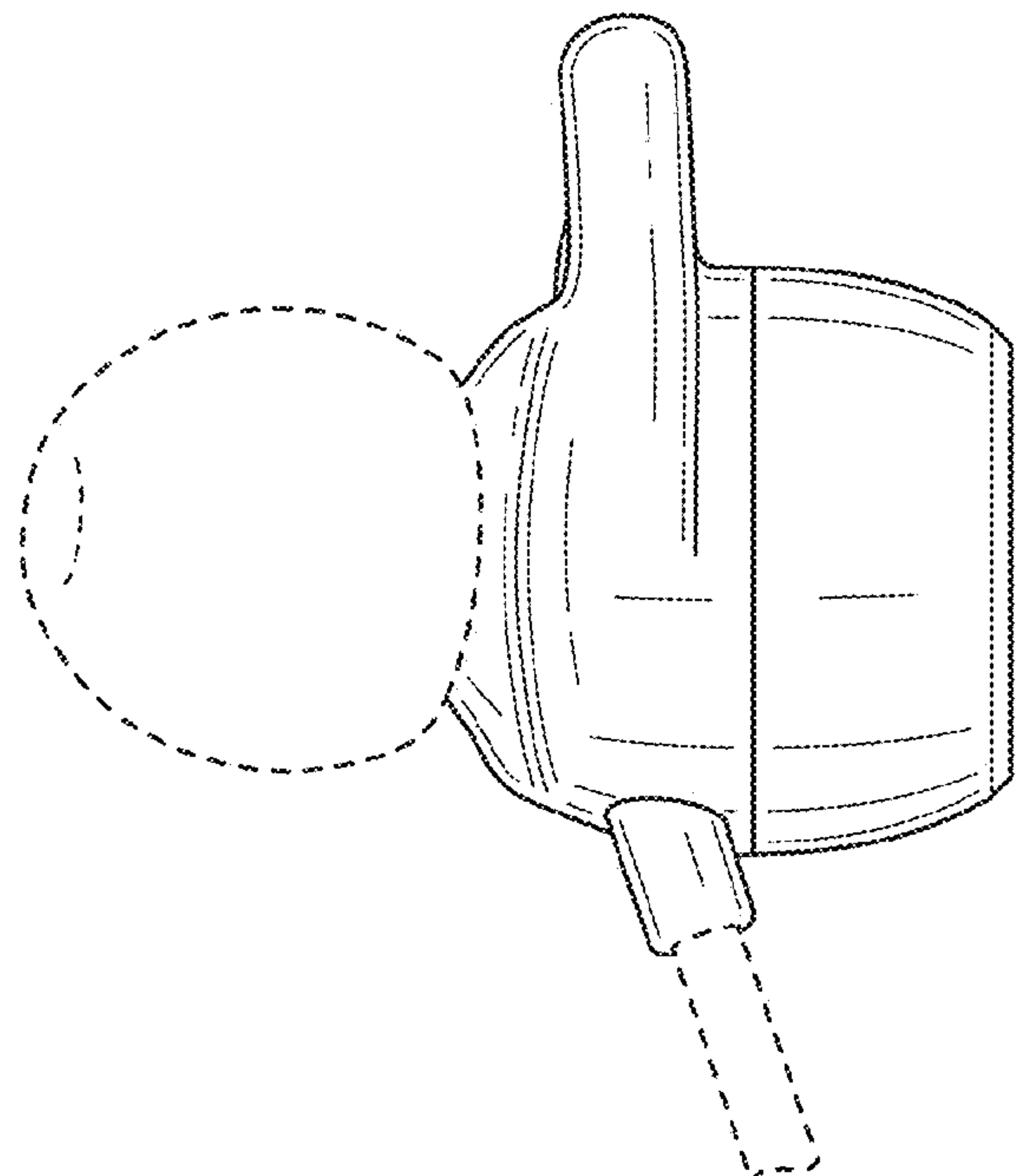


FIG. 5

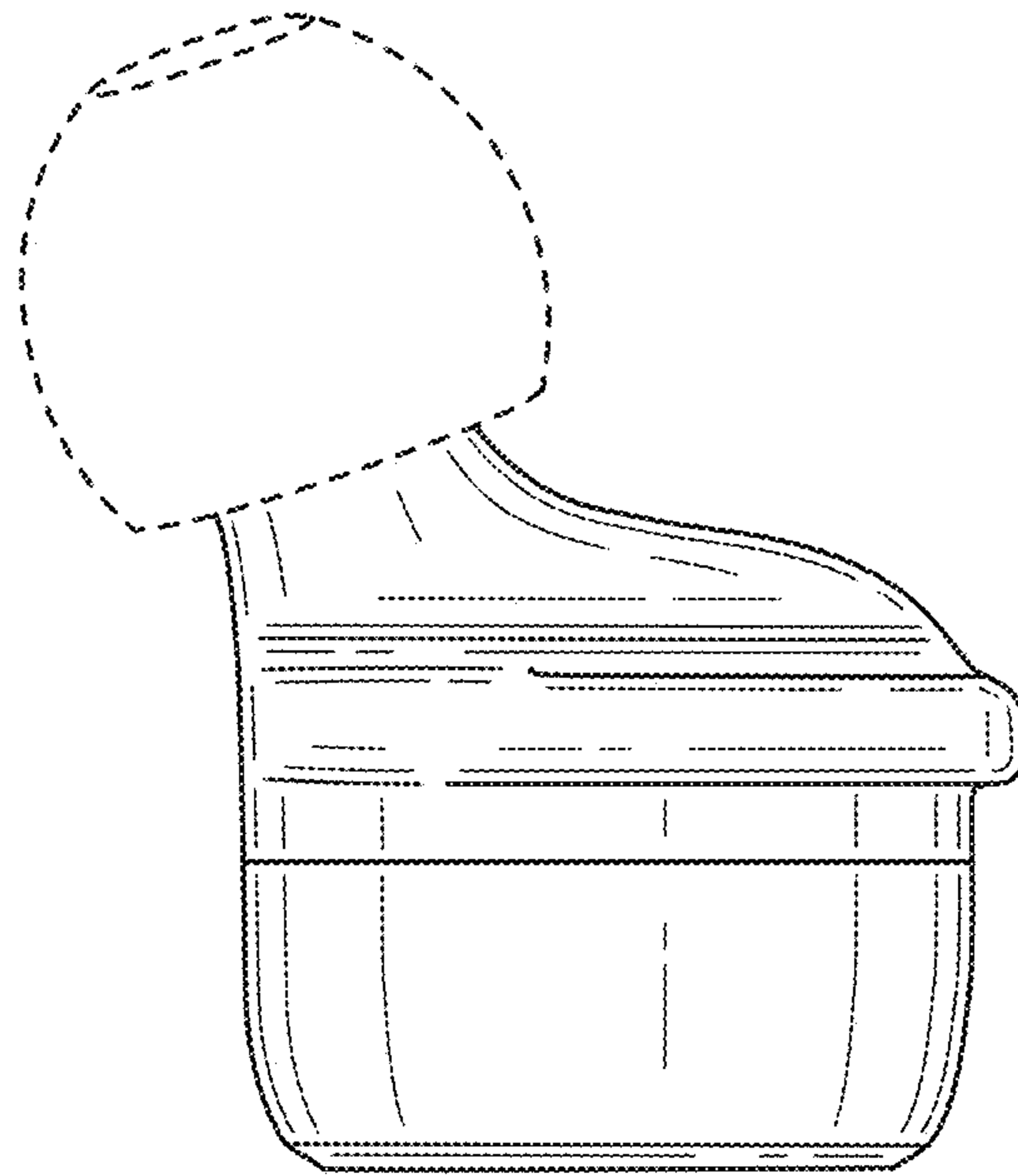


FIG. 6

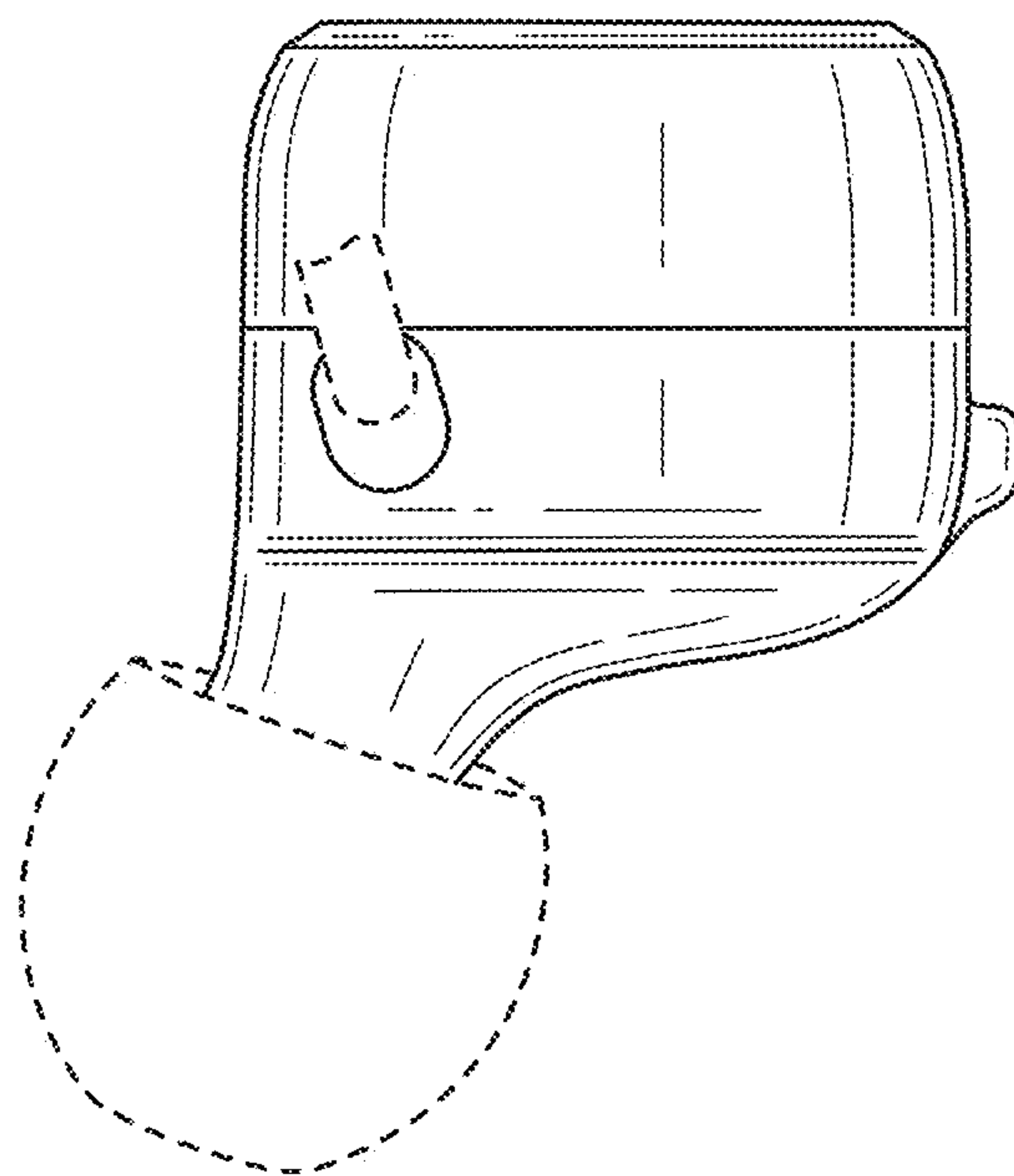


FIG. 7

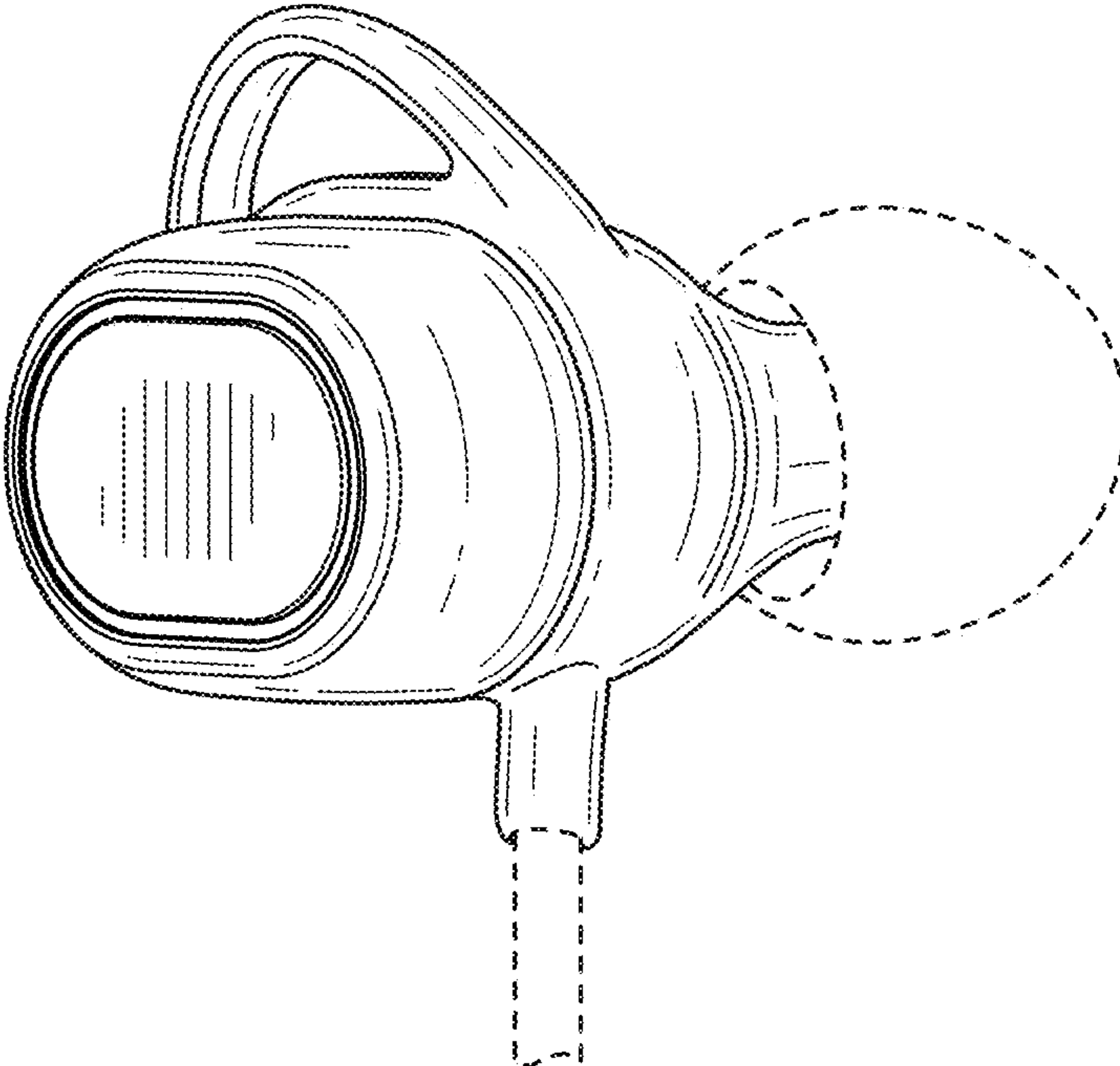


FIG. 8

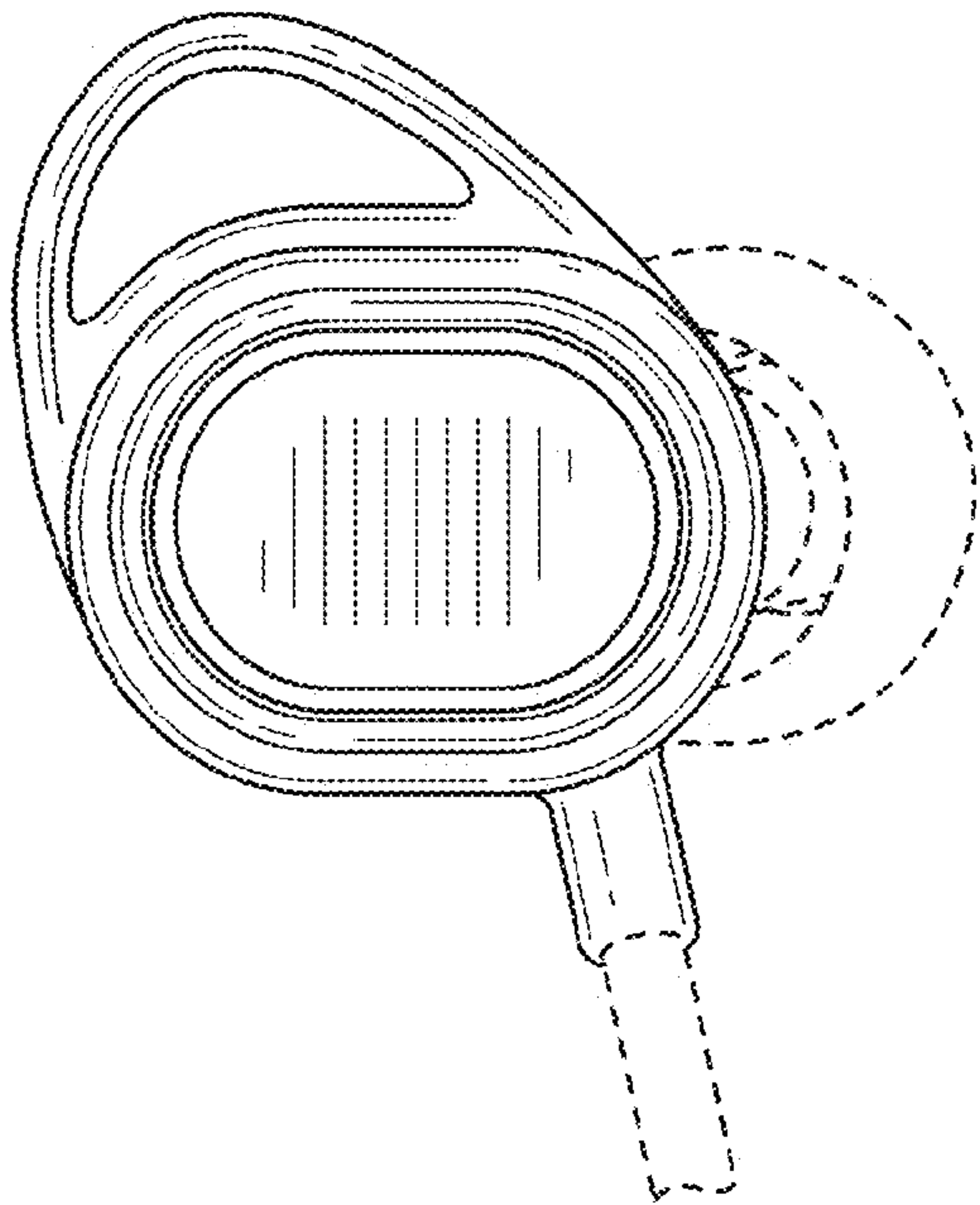


FIG. 9

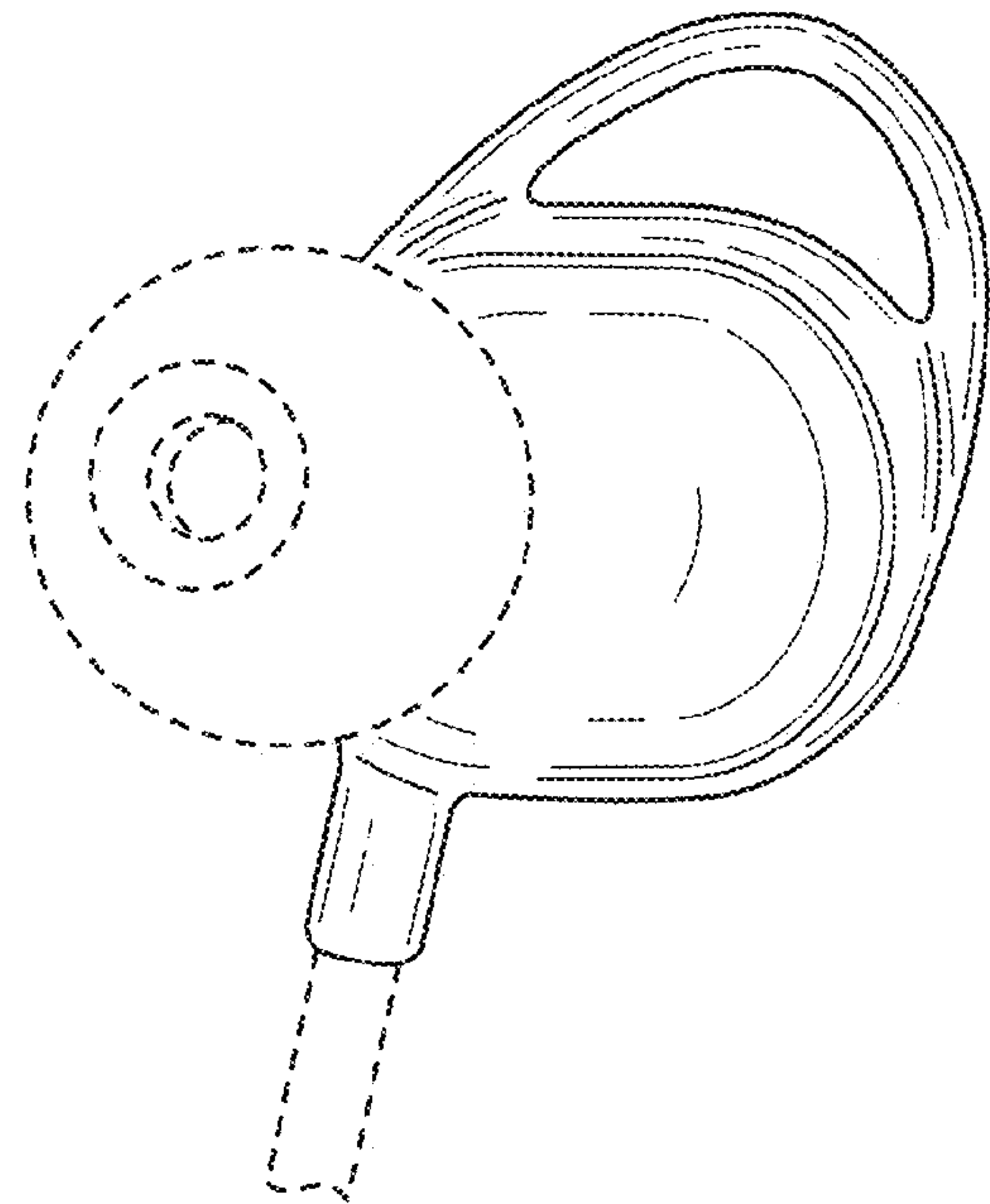


FIG. 10

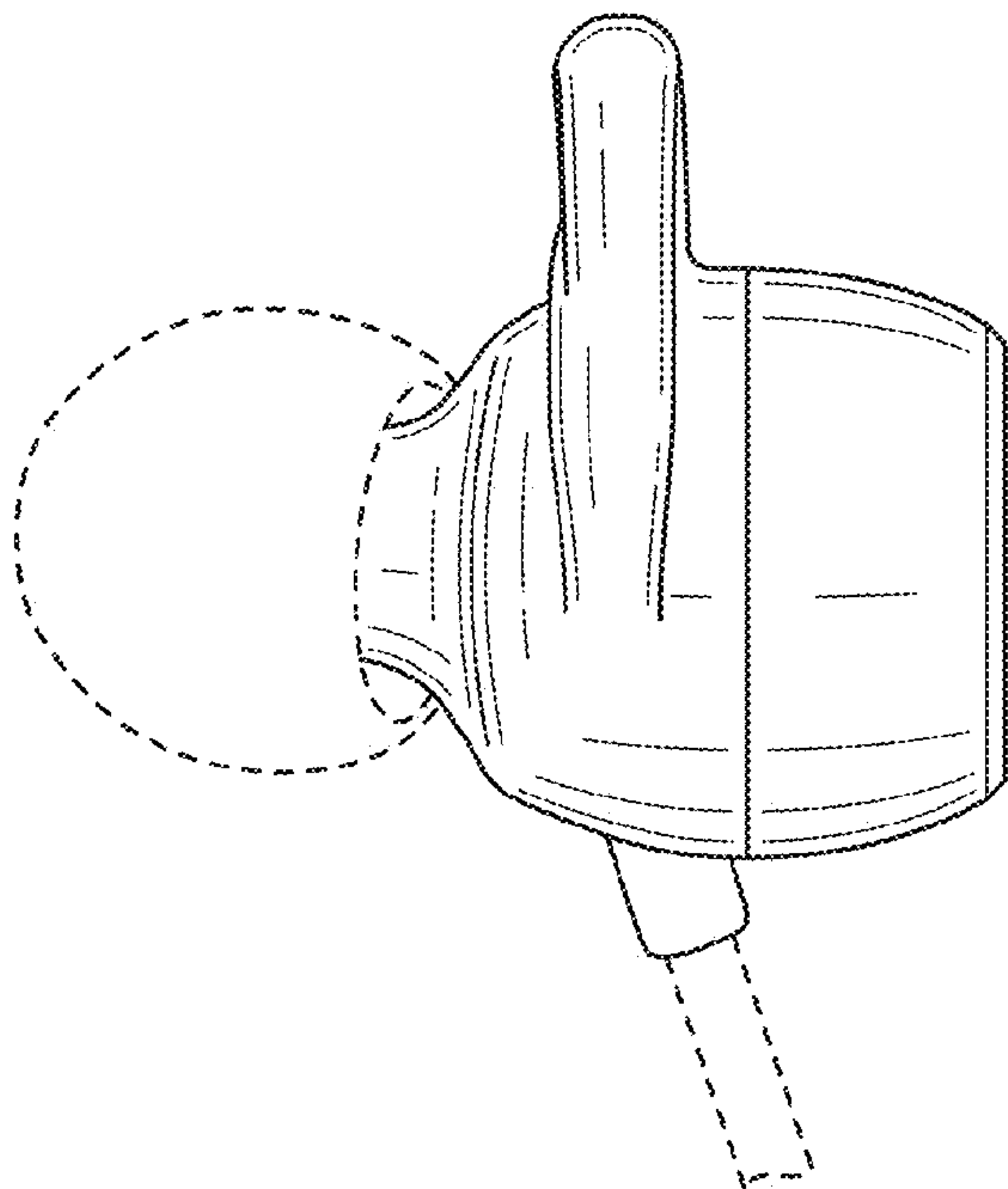


FIG. 11

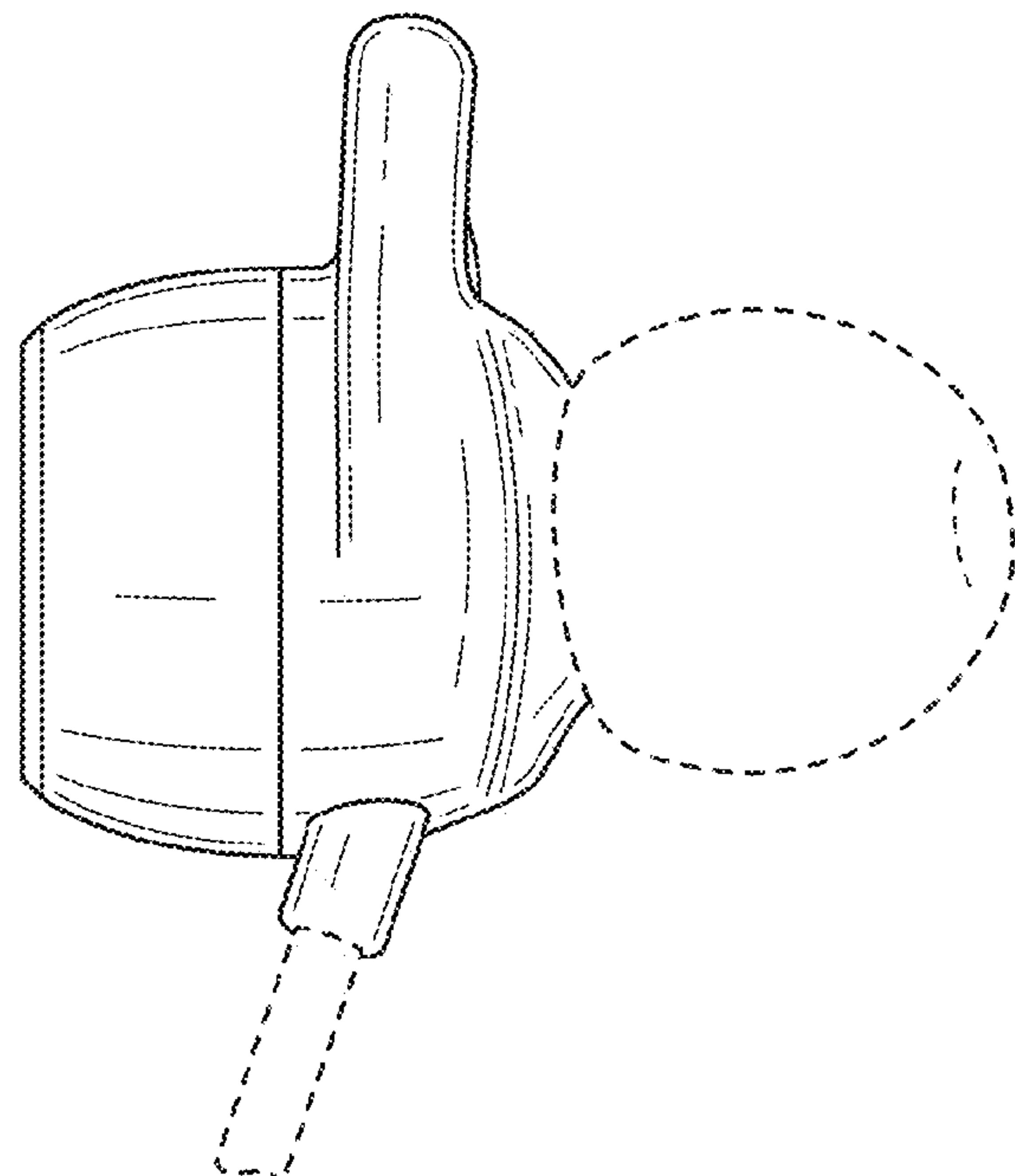


FIG. 12

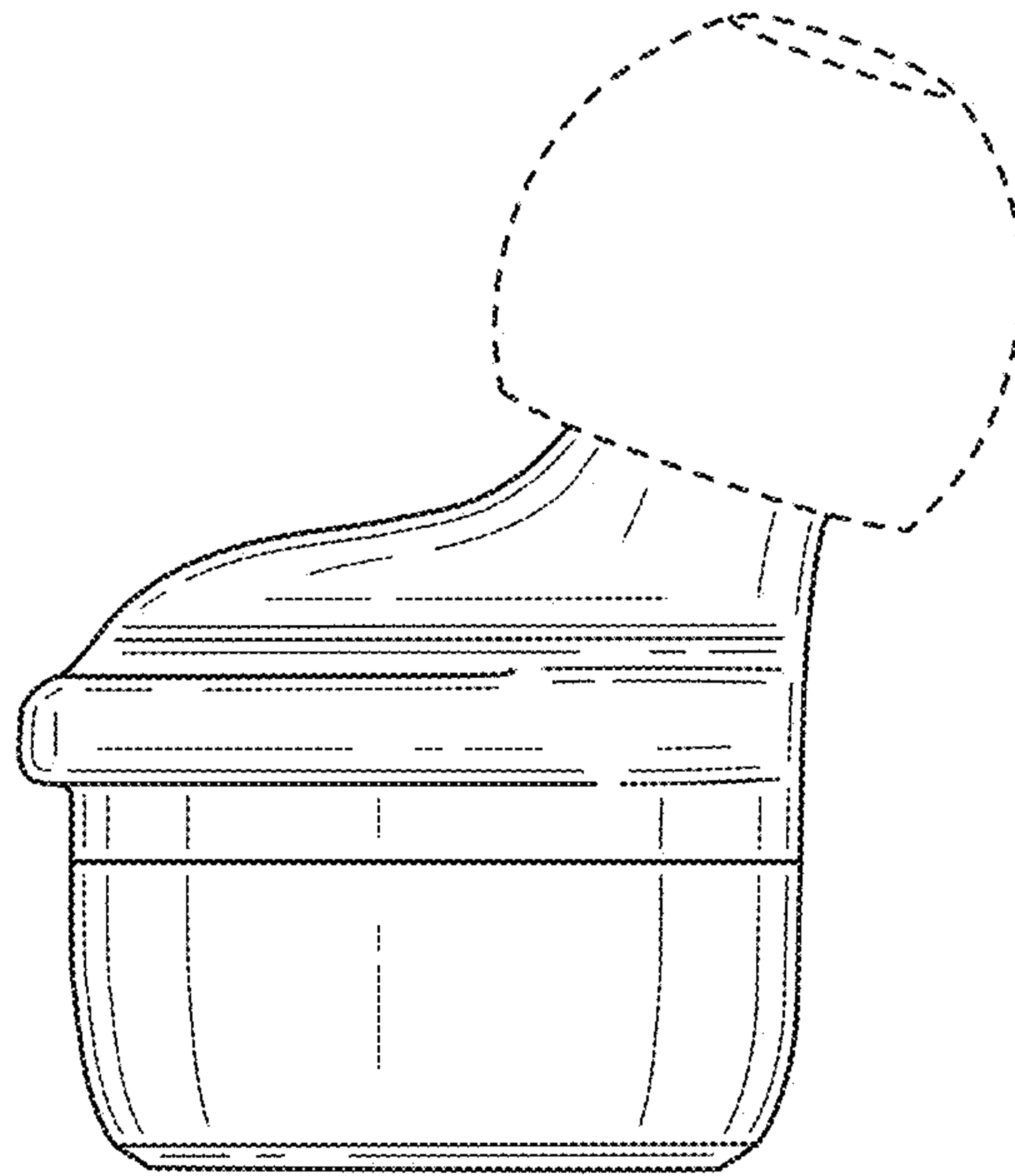


FIG. 13

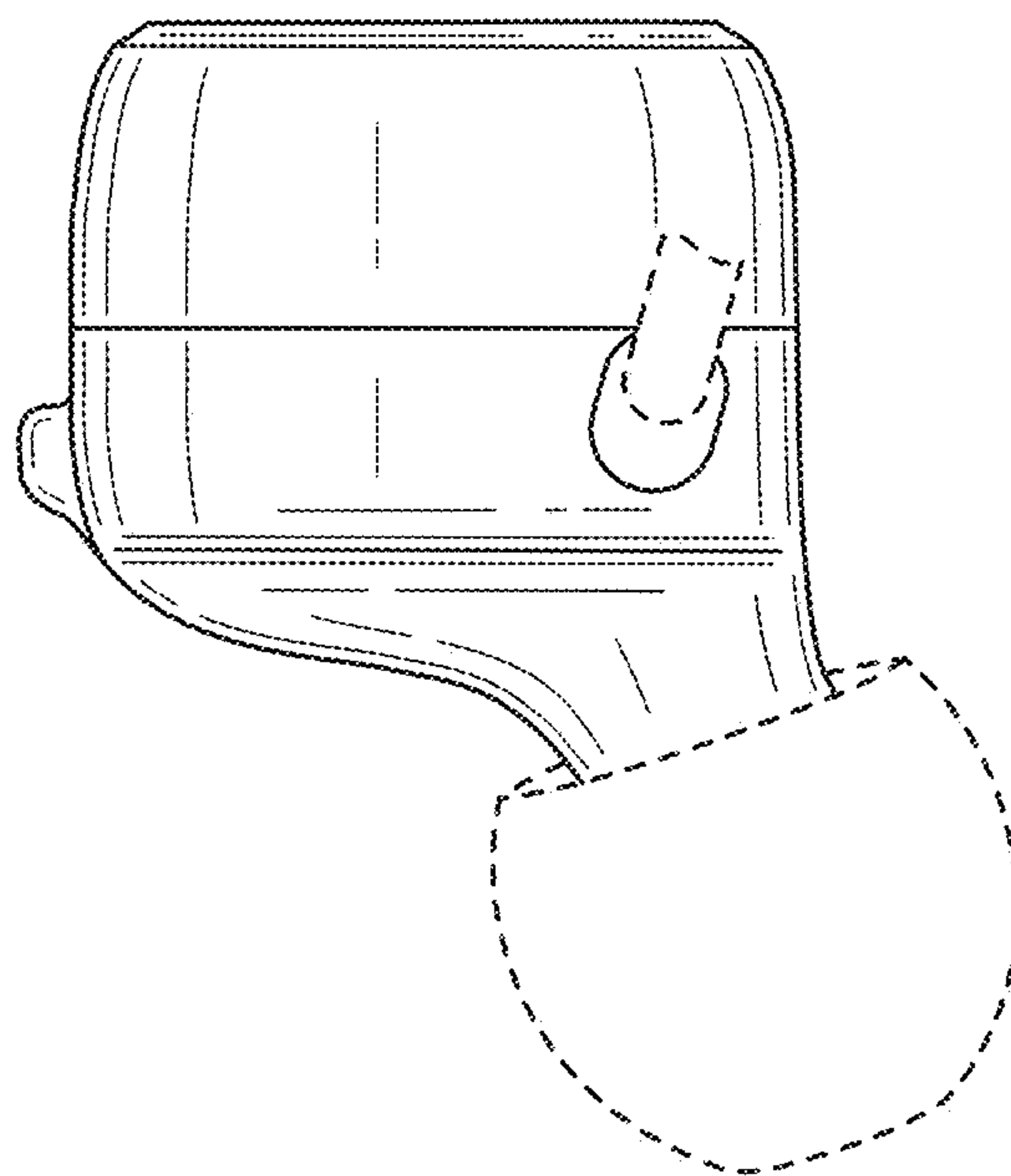


FIG. 14