



US00D870707S

(12) **United States Design Patent**
Yang

(10) **Patent No.:** **US D870,707 S**

(45) **Date of Patent:** **** Dec. 24, 2019**

(54) **EARBUD**

(71) Applicant: **SHENZHEN GINTO**
E-COMMERCE CO., LIMITED,
Shenzhen (CN)

(72) Inventor: **Yong Yang,** Shenzhen (CN)

(73) Assignee: **SHENZHEN GINTO**
E-COMMERCE CO., LIMITED,
Shenzhen (CN)

(**) Term: **15 Years**

(21) Appl. No.: **29/623,378**

(22) Filed: **Oct. 24, 2017**

(51) **LOC (12) Cl.** **14-01**

(52) **U.S. Cl.**
USPC **D14/223; D14/205**

(58) **Field of Classification Search**
USPC D14/203.1, 204–206, 208–210, 212–217,
D14/219, 221–225, 249, 372, 433, 138 R,
D14/182, 188, 191–194, 172, 496;
D29/112; D28/41; D2/875;
D24/173–175, 106; D3/294, 273;
D13/118, 108, 119
CPC H04R 25/02; H04R 25/00; H04R 1/10;
H04R 1/1016; H04R 1/105; H04R
1/1083; H04R 1/02; H04R 1/1041; H04R
1/28; H04R 5/033; H04R 2420/07; H04R
2430/00; H04R 2430/01
See application file for complete search history.

(56) **References Cited**

U.S. PATENT DOCUMENTS

D567,217 S * 4/2008 Kamo D14/205
D575,768 S * 8/2008 Wang D14/206
D598,901 S * 8/2009 Lee D14/223
D599,781 S * 9/2009 Lee D14/205

D618,211 S * 6/2010 Oguro D14/205
D626,117 S * 10/2010 Lowry D14/223
D628,993 S * 12/2010 Steyn D14/225
D635,678 S * 4/2011 Laperle D24/174
D639,280 S * 6/2011 Hayes D14/223
D658,157 S * 4/2012 McManigal D14/205
D666,996 S * 9/2012 Hardi D14/223
D674,376 S * 1/2013 Kelly D14/223
D678,251 S * 3/2013 Cantoni D14/223
D680,102 S * 4/2013 Chen D14/223
D689,471 S * 9/2013 Hardi D14/223
D689,848 S * 9/2013 Lee D14/223
D691,278 S * 10/2013 Aunio D14/223
D701,195 S * 3/2014 Katsumata D14/223
D701,831 S * 4/2014 Park D13/108
D707,205 S * 6/2014 Wenger H04R 25/00
D707,652 S * 6/2014 Brunner H04R 25/00
D719,550 S * 12/2014 Yang D14/223
D742,859 S * 11/2015 Miyake D14/223

(Continued)

Primary Examiner — T Chase Nelson
Assistant Examiner — Mary Claire Ramirez

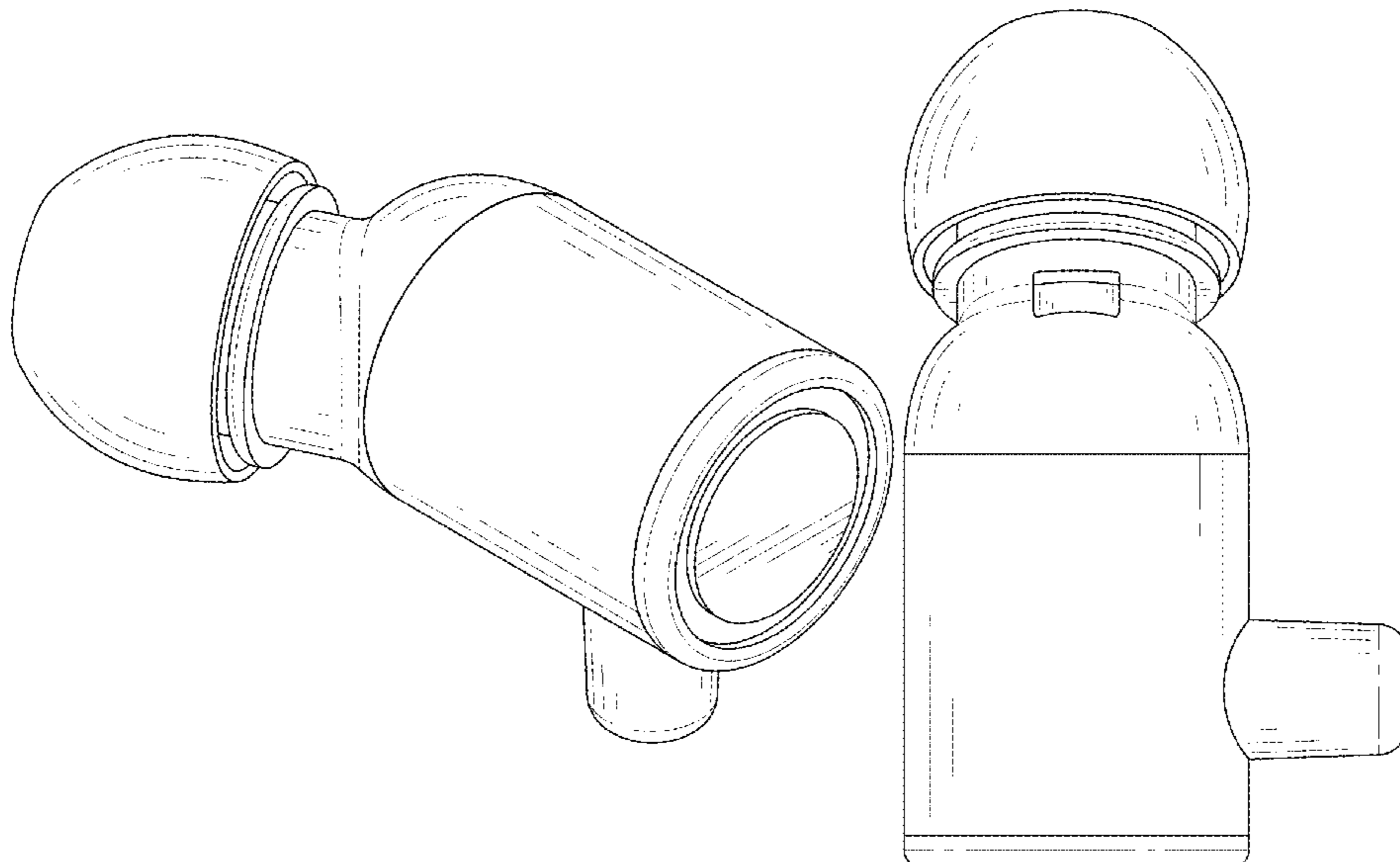
(57) **CLAIM**

The ornamental design for an earbud, as shown and described.

DESCRIPTION

FIG. 1 is a perspective view of an earbud showing my new design;
FIG. 2 is another perspective view thereof;
FIG. 3 is a front elevational view thereof;
FIG. 4 is a rear elevational view thereof;
FIG. 5 is a left side elevational view thereof;
FIG. 6 is a right side elevational view thereof;
FIG. 7 is a top plan view thereof; and,
FIG. 8 is a bottom plan view thereof.
The broken lines in the drawings depict portions of the earbud that form no part of the claimed design.

1 Claim, 8 Drawing Sheets



(56)

References Cited

U.S. PATENT DOCUMENTS

D746,792	S *	1/2016	Kim	D14/205
D761,760	S *	7/2016	Poulsen	D14/205
D762,616	S *	8/2016	Hsieh	D14/205
D789,909	S *	6/2017	Hung	D14/223
D796,487	S *	9/2017	Brunner	D14/205
D815,069	S *	4/2018	Xiong	D14/223
D816,059	S *	4/2018	Liu	D14/205
D820,239	S *	6/2018	Yoshimura	D14/223
D831,832	S *	10/2018	Rappaport	D24/173
D832,824	S *	11/2018	Kim	D14/223
D838,693	S *	1/2019	Fu	D14/223
D847,780	S *	5/2019	Brunner	H04R 25/00
				D14/205
2011/0249856	A1 *	10/2011	Takei	H04R 1/1016
				381/380
2015/0195638	A1 *	7/2015	Tseng	H04R 1/1058
				381/380
2017/0264991	A1 *	9/2017	Horst	H04R 1/1041
2018/0103309	A1 *	4/2018	Ozawa	H04R 1/1008

* cited by examiner

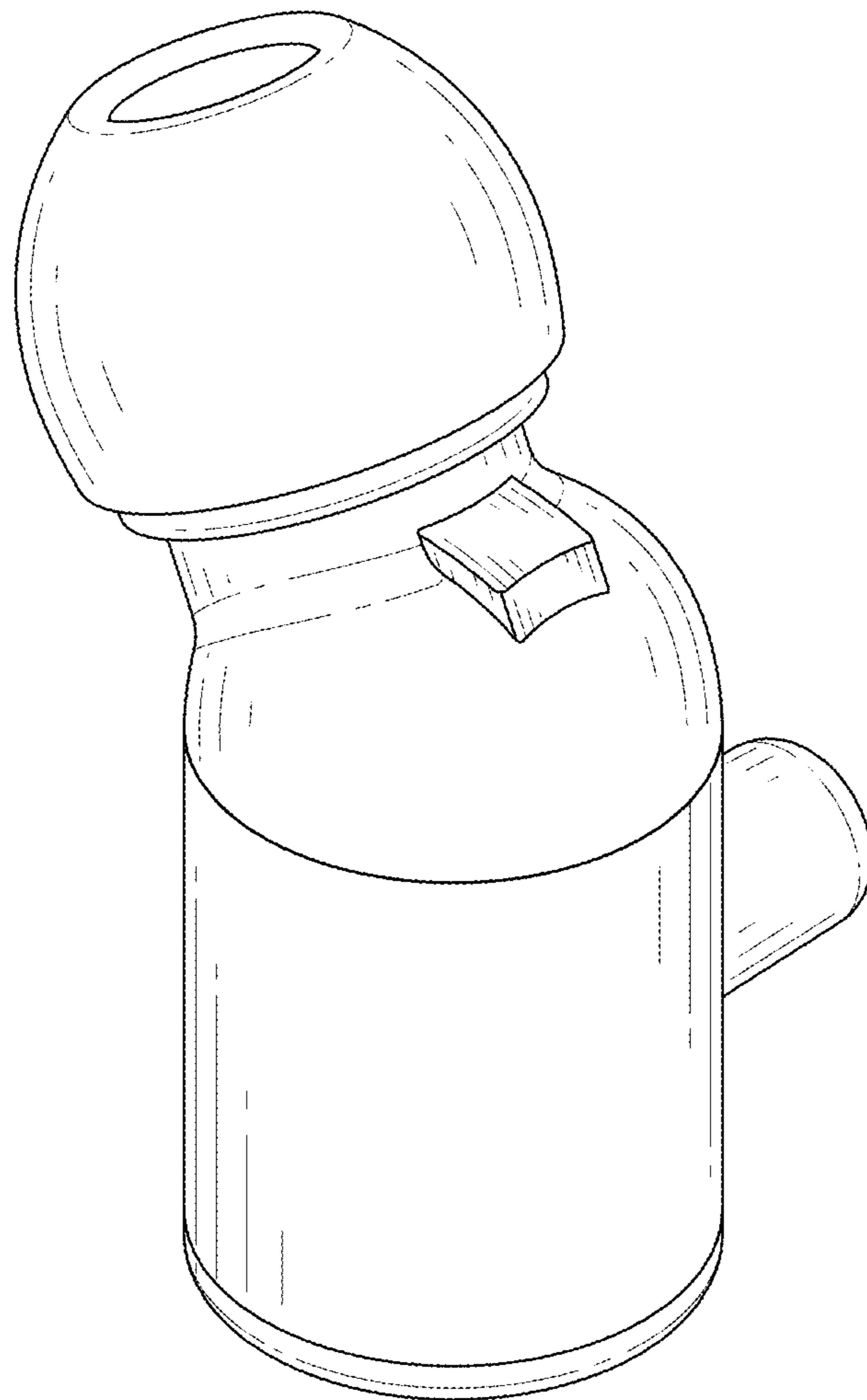


FIG. 1

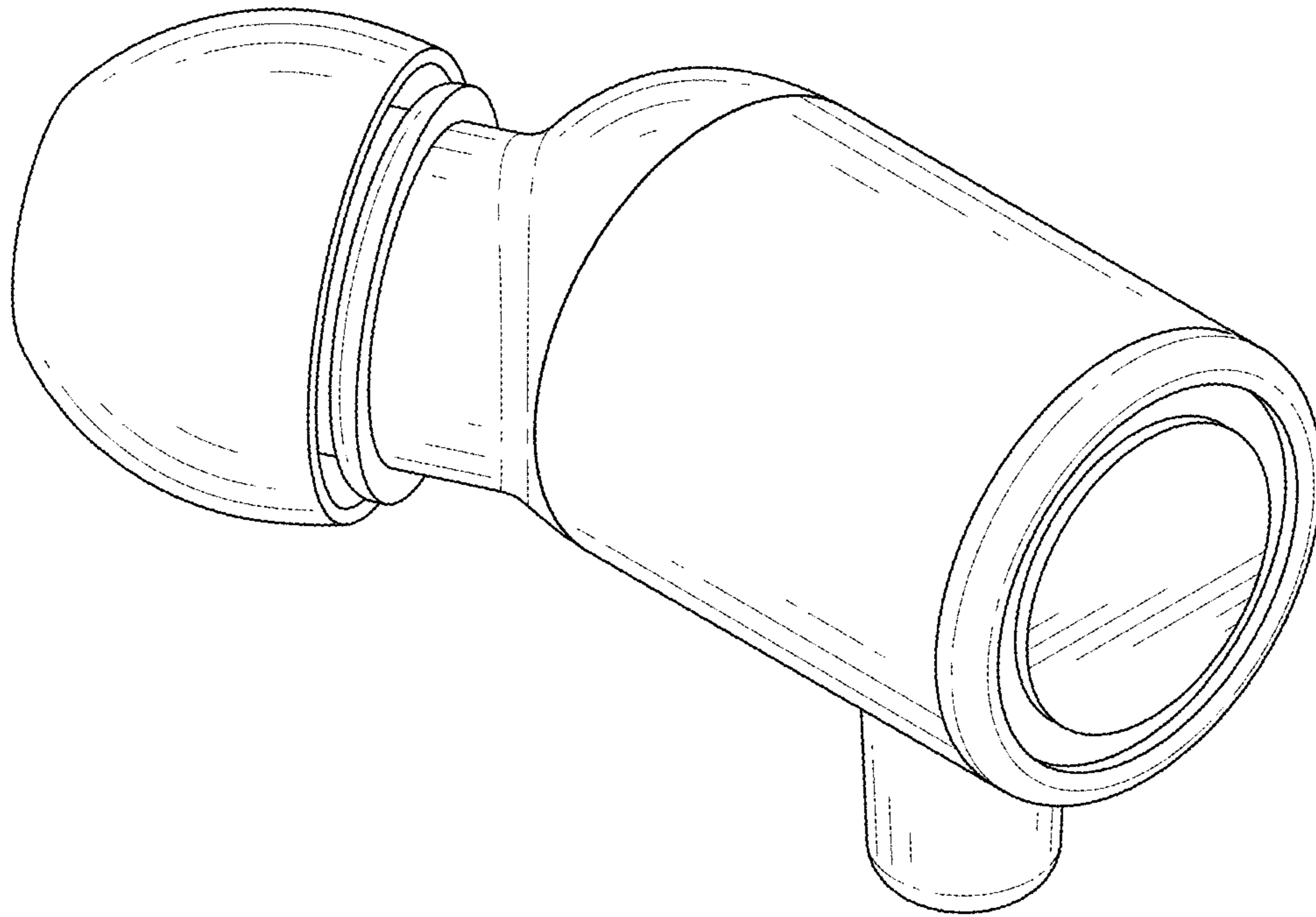


FIG. 2

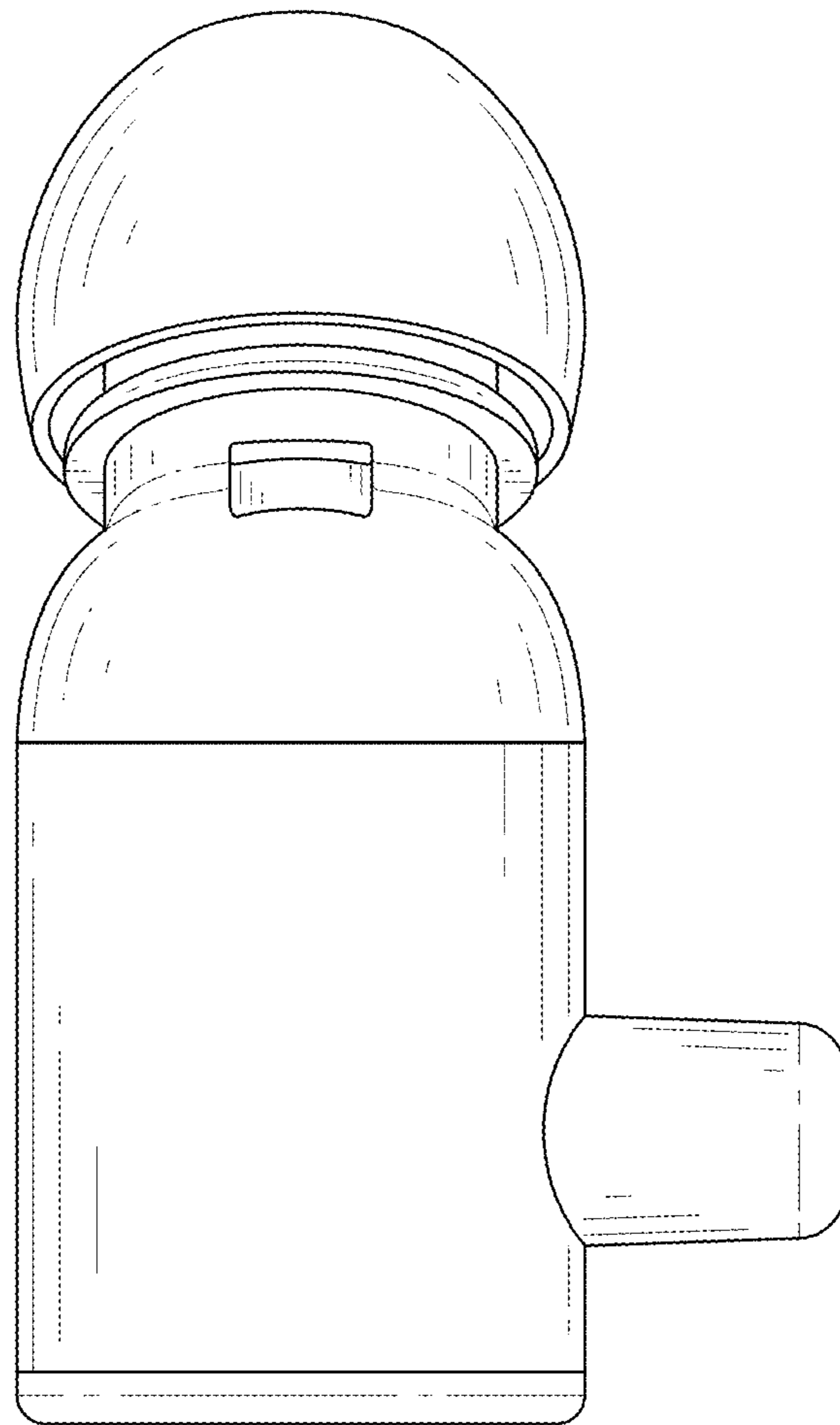


FIG. 3

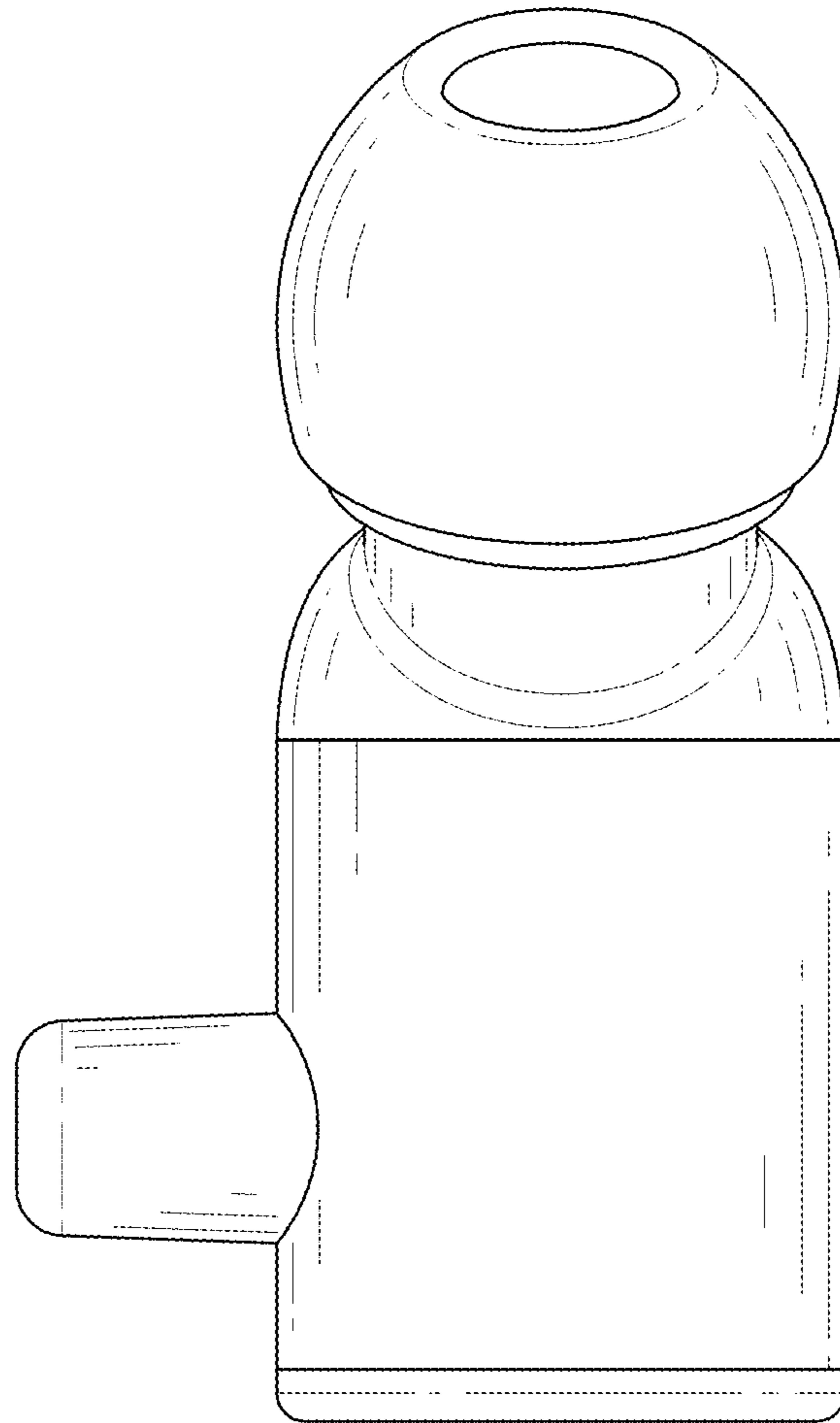


FIG. 4

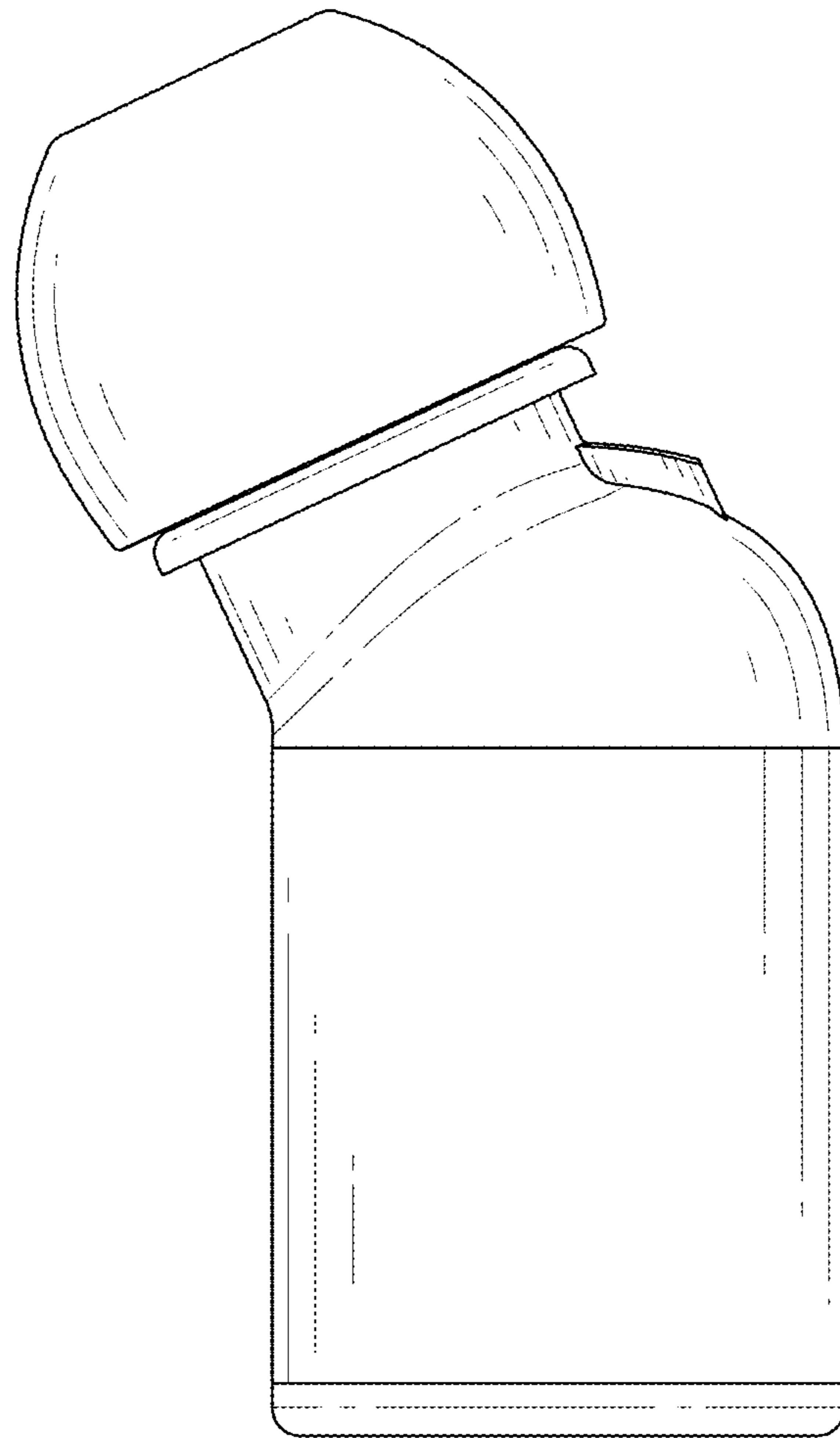


FIG. 5

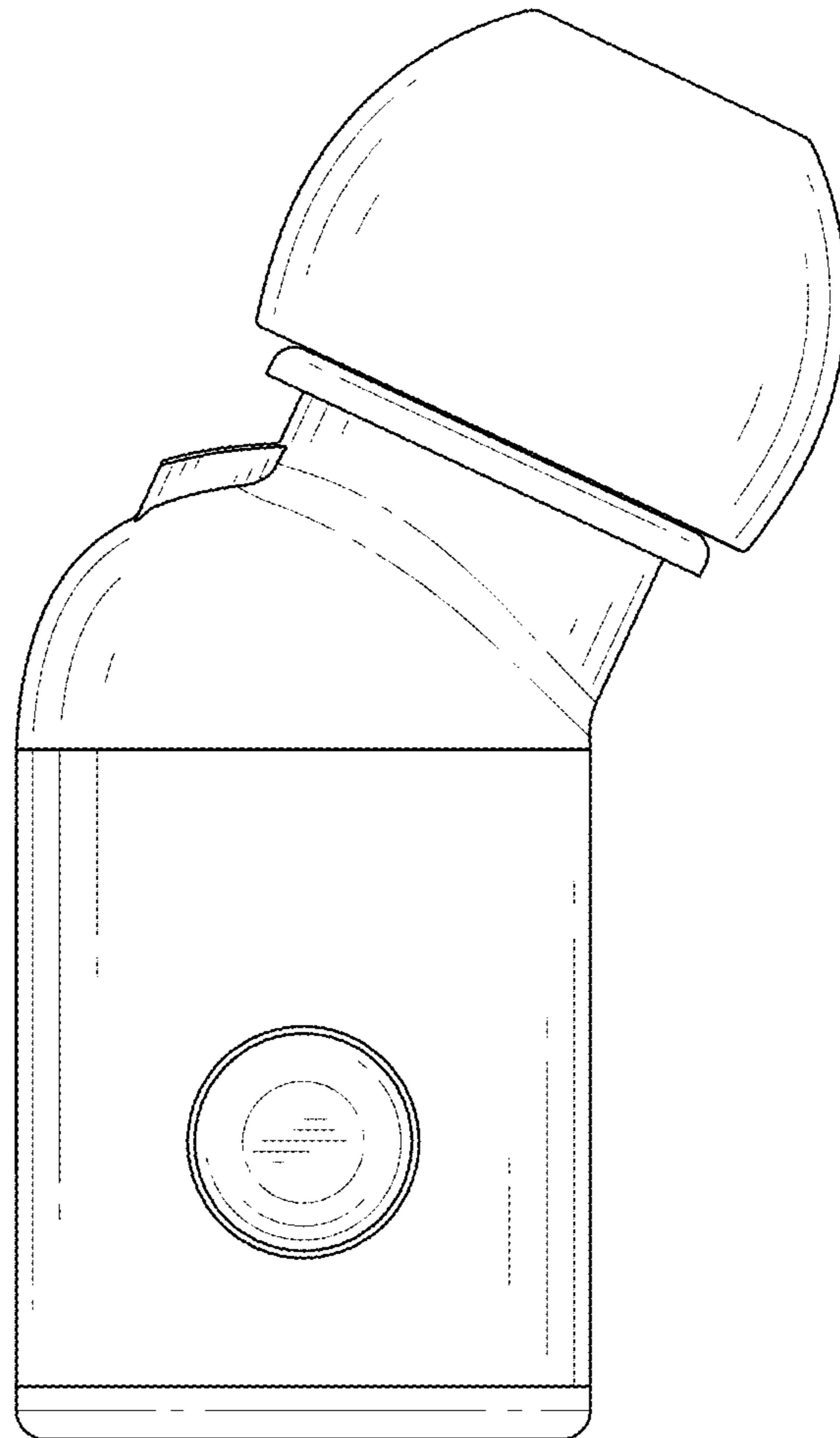


FIG. 6

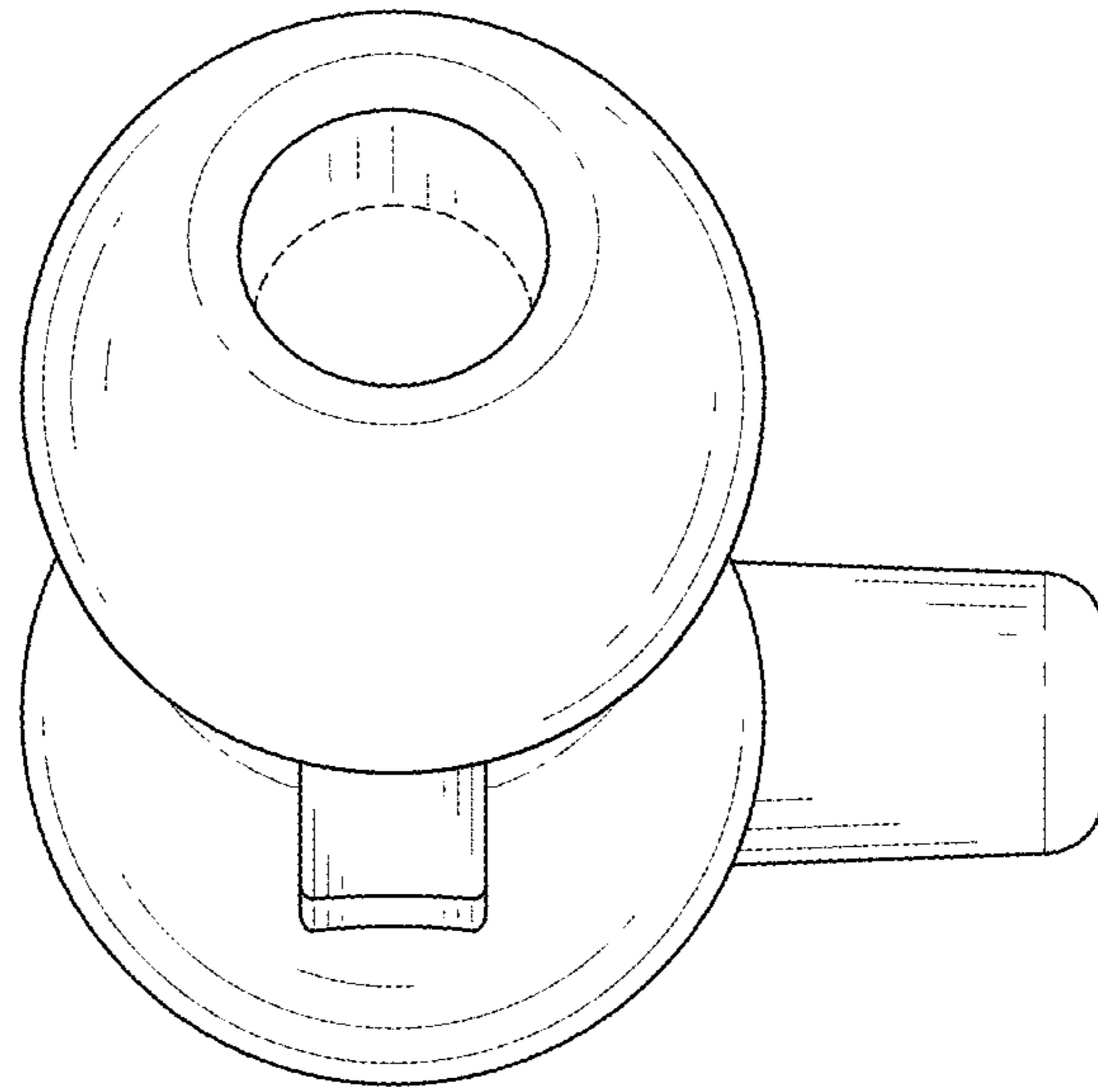


FIG. 7

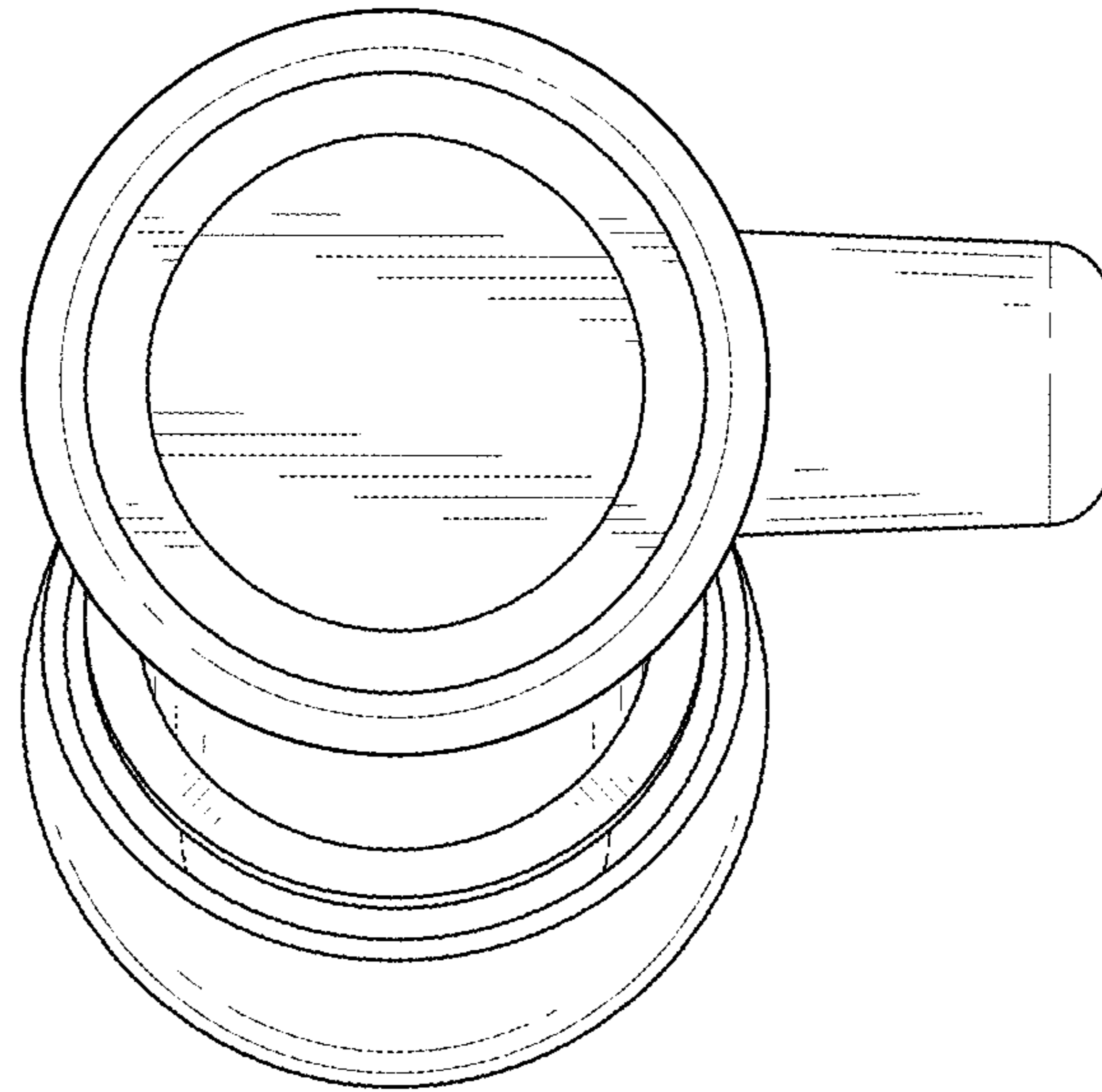


FIG. 8