



US00D870706S

(12) **United States Design Patent** (10) **Patent No.:** **US D870,706 S**  
**Lin** (45) **Date of Patent:** **\*\* Dec. 24, 2019**

- (54) **SCREEN PROTECTOR**
- (71) Applicant: **Chia-Ching Lin**, Taipei (TW)
- (72) Inventor: **Chia-Ching Lin**, Taipei (TW)
- (\*\*) Term: **15 Years**
- (21) Appl. No.: **29/659,694**
- (22) Filed: **Aug. 10, 2018**
- (51) **LOC (12) Cl.** ..... **14-03**
- (52) **U.S. Cl.**  
USPC ..... **D14/217**
- (58) **Field of Classification Search**  
USPC ..... D14/217, 250, 251, 253, 341, 318, 240  
CPC ..... A45C 11/00; A45C 2011/002  
See application file for complete search history.

(56) **References Cited**

**U.S. PATENT DOCUMENTS**

D746,265 S *	12/2015	Colby	.....	D14/217
D772,199 S *	11/2016	Igarashi	.....	D14/217
D804,462 S *	12/2017	Lamb	.....	D14/250
D804,463 S *	12/2017	Lamb	.....	D14/250
D817,945 S *	5/2018	Wadsworth	.....	D14/250

D828,335 S \* 9/2018 Lin ..... D14/217

\* cited by examiner

*Primary Examiner* — Khawaja Anwar

(74) *Attorney, Agent, or Firm* — Li & Cai Intellectual Property (USA) Office

(57) **CLAIM**

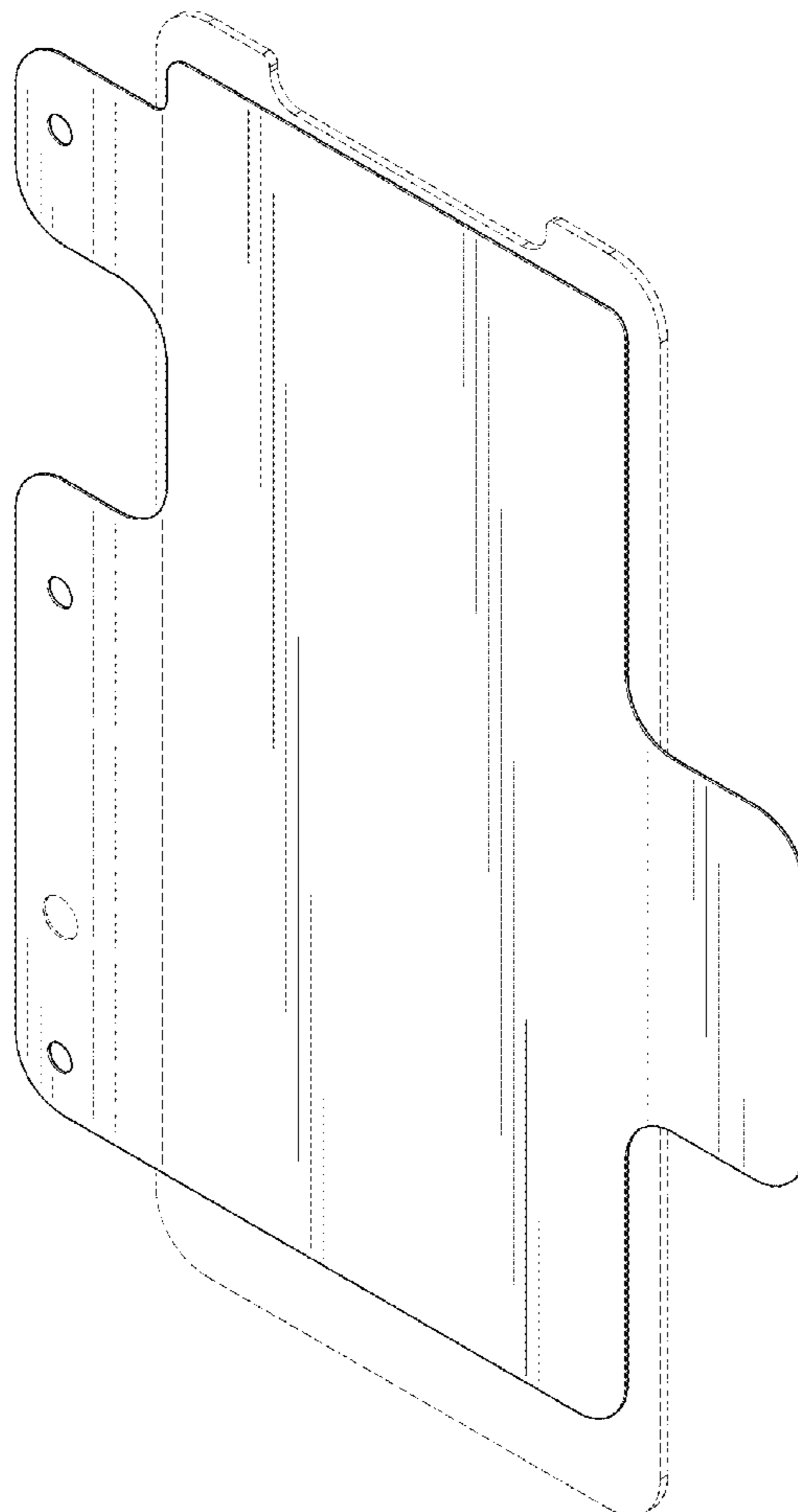
The ornamental design for a screen protector, as shown and described.

**DESCRIPTION**

FIG. 1 is a front perspective view of a screen protector showing my new design;  
 FIG. 2 is a front elevational view thereof;  
 FIG. 3 is a rear elevational view thereof;  
 FIG. 4 is a left elevational side view thereof;  
 FIG. 5 is a right elevational side view thereof;  
 FIG. 6 is a top plan view thereof;  
 FIG. 7 is a bottom plan view thereof; and  
 FIG. 8 is a rear perspective view thereof.

The broken lines depict portions of the screen protector in which the design is embodied that form no part of the claimed design.

**1 Claim, 6 Drawing Sheets**



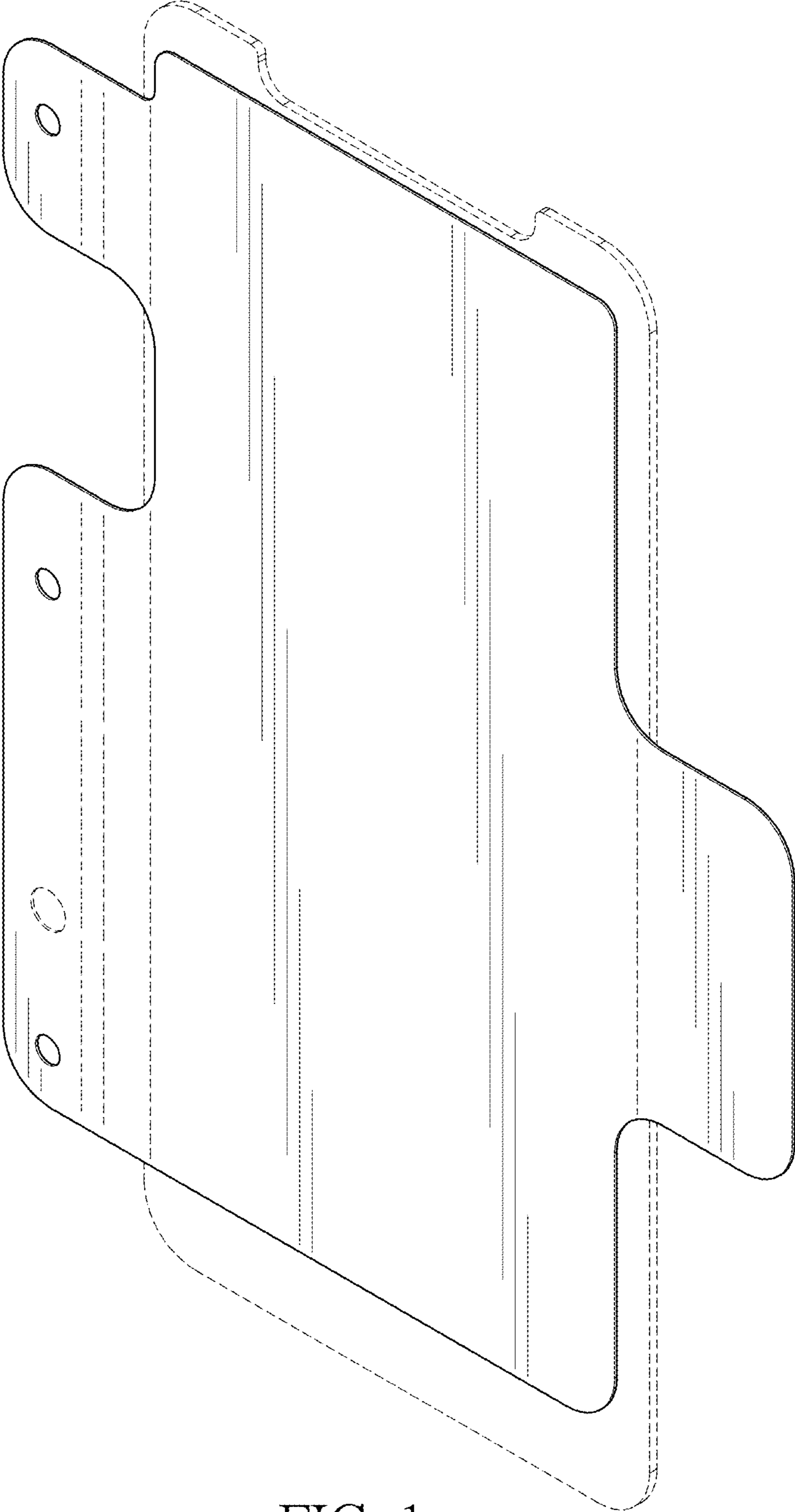


FIG. 1

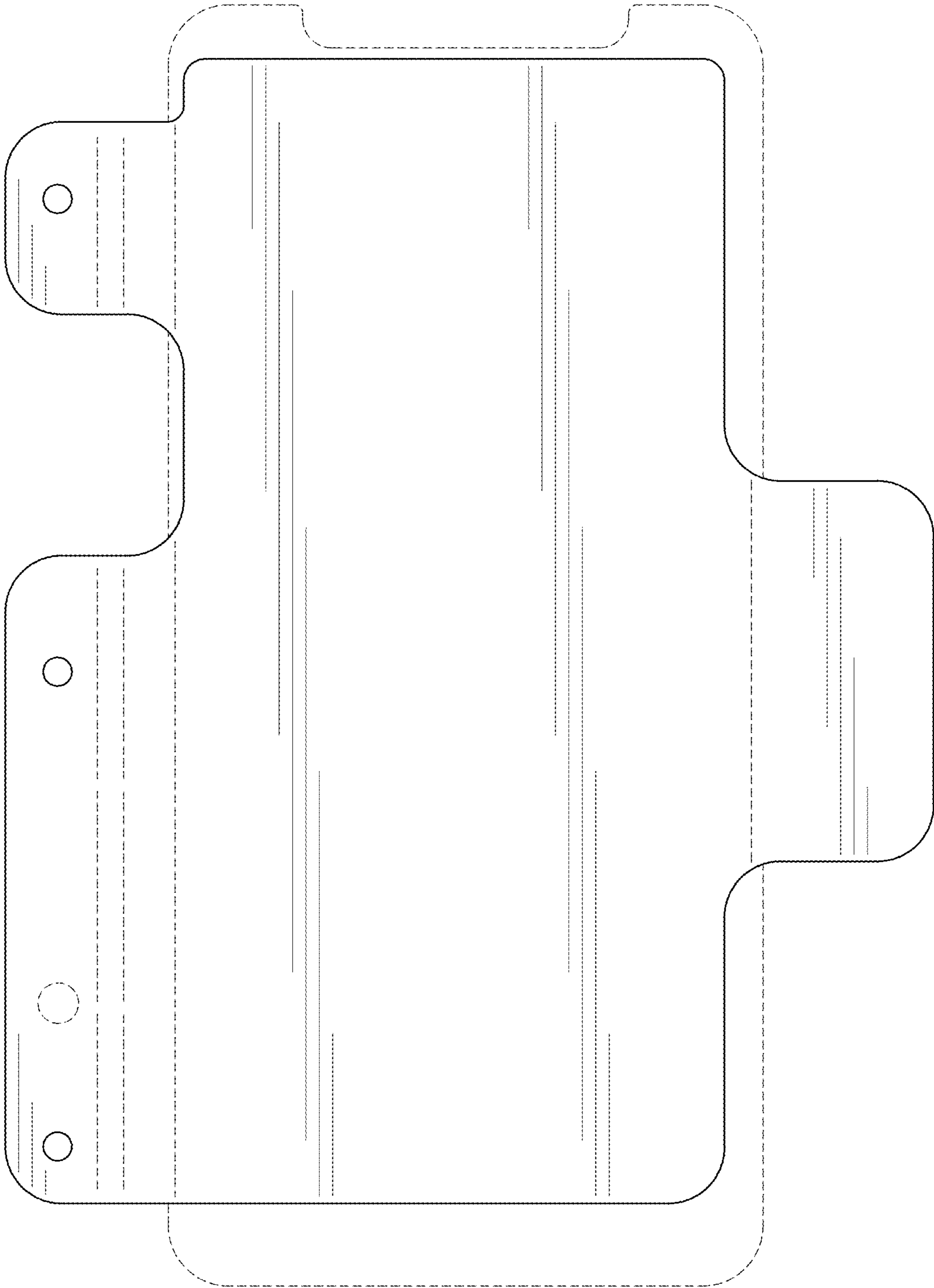


FIG. 2

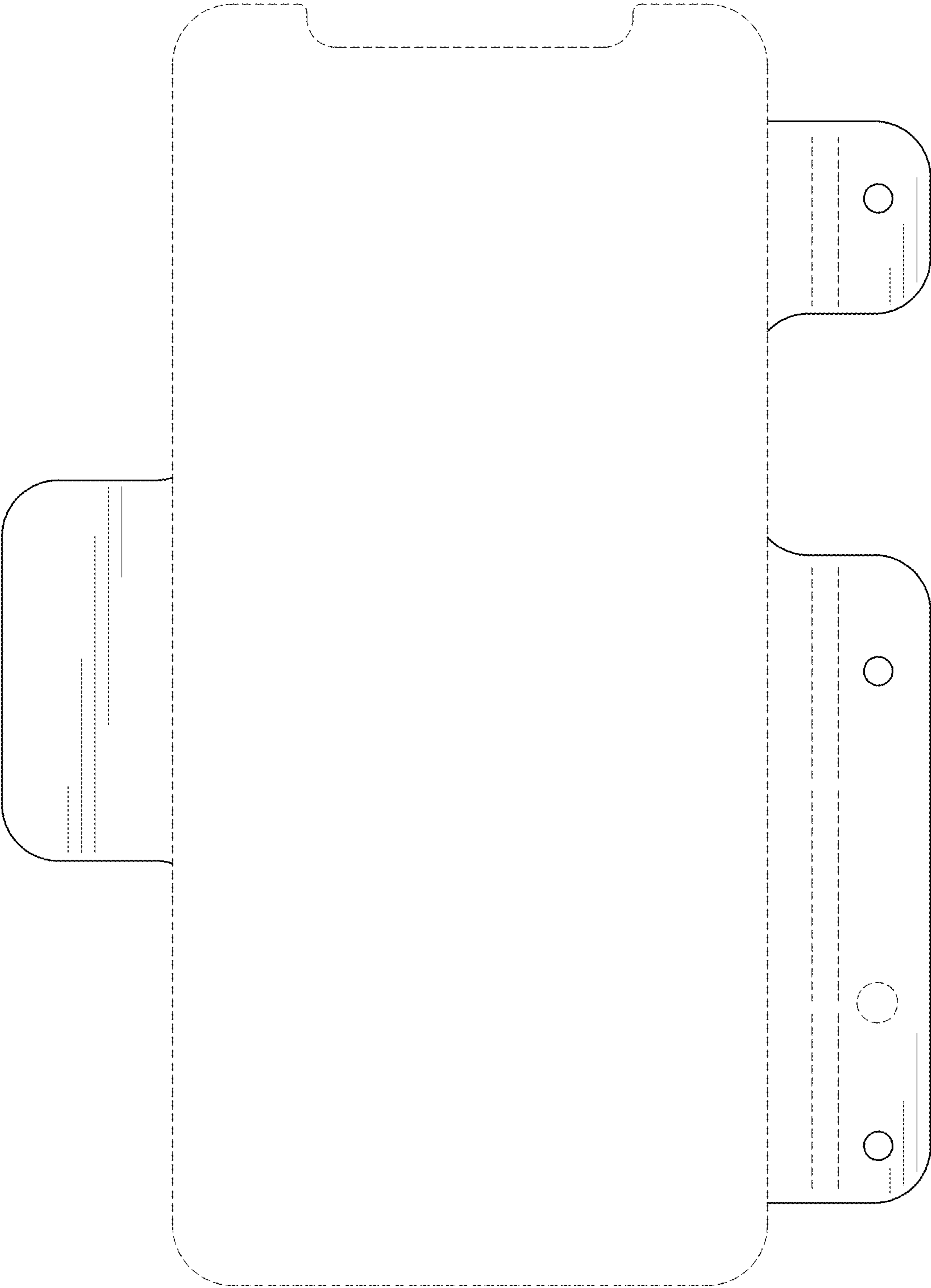


FIG. 3

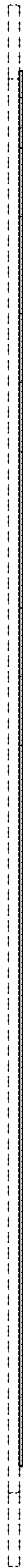


FIG. 4



FIG. 5

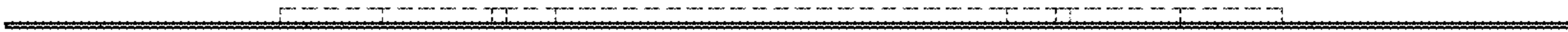


FIG. 6

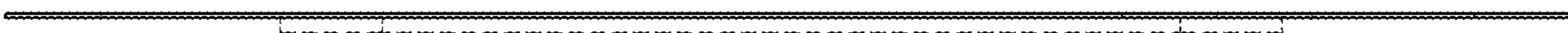


FIG. 7

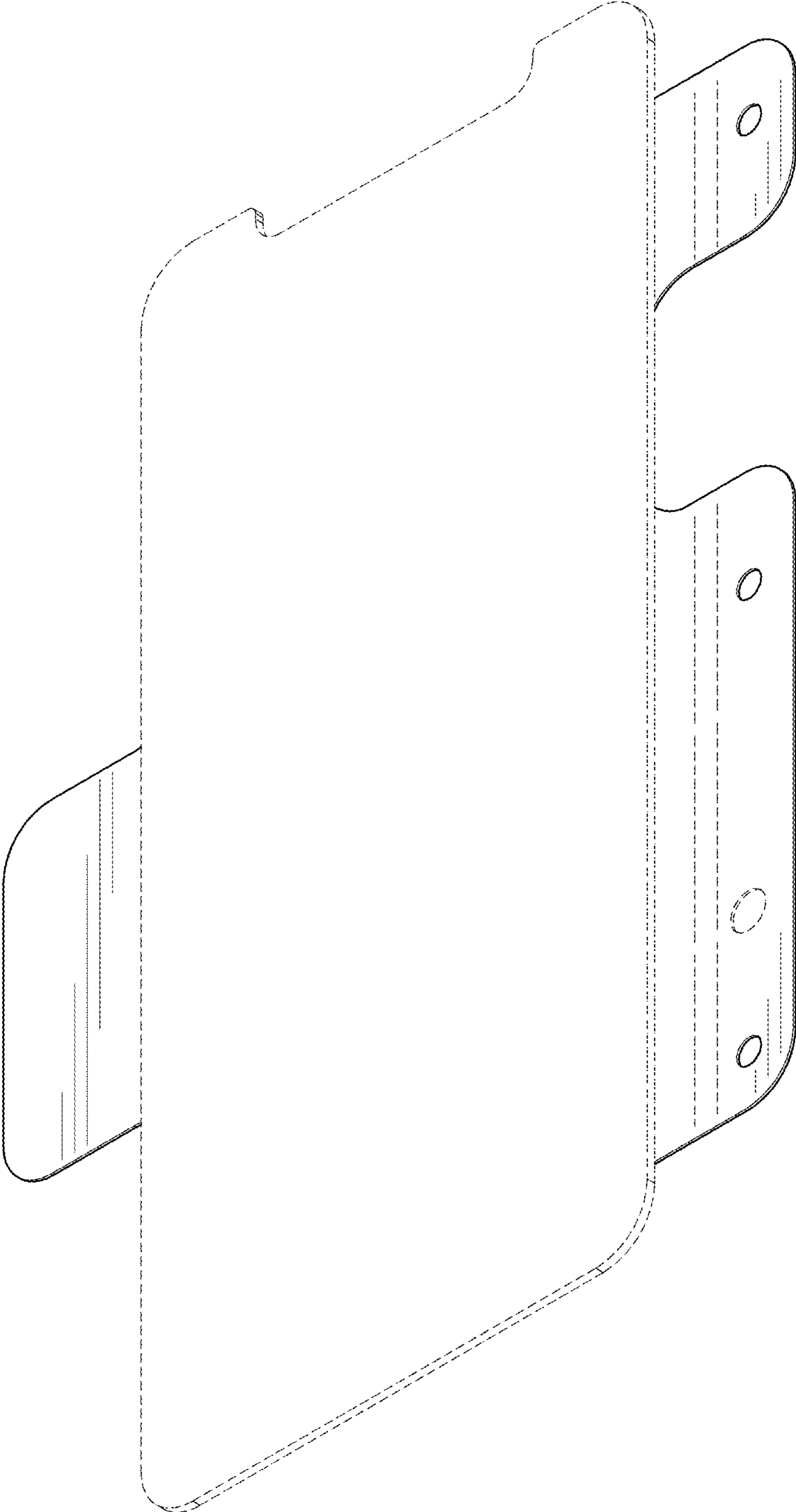


FIG. 8