



US00D870705S

(12) **United States Design Patent**
Lee et al.

(10) **Patent No.:** **US D870,705 S**
(45) **Date of Patent:** **** Dec. 24, 2019**

(54) **SPEAKER**

- (71) Applicant: **LG ELECTRONICS INC.**, Seoul (KR)
- (72) Inventors: **Sangho Lee**, Seoul (KR); **Sooyoung Park**, Seoul (KR)
- (73) Assignee: **LG Electronics Inc.**, Seoul (KR)
- (**) Term: **15 Years**
- (21) Appl. No.: **35/505,832**
- (22) Filed: **Apr. 5, 2018**
- (80) **Hague Agreement Data**
Int. Filing Date: **Apr. 5, 2018**
Int. Reg. No.: **DM/101544**
Int. Reg. Date: **Apr. 5, 2018**
Int. Reg. Pub. Date: **Oct. 5, 2018**

(30) **Foreign Application Priority Data**

- Oct. 10, 2017 (KR) 30-2017-0046729
- (51) **LOC (12) Cl.** **14-01**
- (52) **U.S. Cl.**
USPC **D14/216; D14/211**
- (58) **Field of Classification Search**
USPC D14/204, 205, 206, 210-216, 221, 239, D14/249, 265, 209.1, 203.8, 253, 447, D14/192, 223, 224, 199, 372, 225, 226; D21/513, 516; D26/93; D29/112
CPC . B60R 11/0217; B60R 11/0223; H04R 1/023; H04R 1/025; H04R 1/323; H04R 5/02; H04R 19/02; H04R 2400/00; H04R 2400/07; H04R 2400/11; G06F 1/16
See application file for complete search history.

(56) **References Cited**

U.S. PATENT DOCUMENTS

- D647,242 S * 10/2011 Staples D26/93
 - D711,352 S * 8/2014 Szymanski D14/216
 - D711,353 S * 8/2014 Szymanski D14/216
- (Continued)

FOREIGN PATENT DOCUMENTS

- JP D1629063 * 4/2019
 - WO D090467-001 * 10/2016
- (Continued)

OTHER PUBLICATIONS

LED Mini Bluetooth Speaker, announced 2019 [online], [retrieved Jul. 16, 2019]. Available from Internet, URL: <<https://www.aliexpress.com/item/LED-Mini-Bluetooth-Speaker-TF-USB-FM-Music-Loudspeakers-Hand-Free-for-LG-G3-Cat-6/32897313639.html>> (Year: 2019).*

(Continued)

Primary Examiner — T Chase Nelson
Assistant Examiner — Dana K Weiland
(74) *Attorney, Agent, or Firm* — Birch, Stewart, Kolasch & Birch, LLP

(57) **CLAIM**

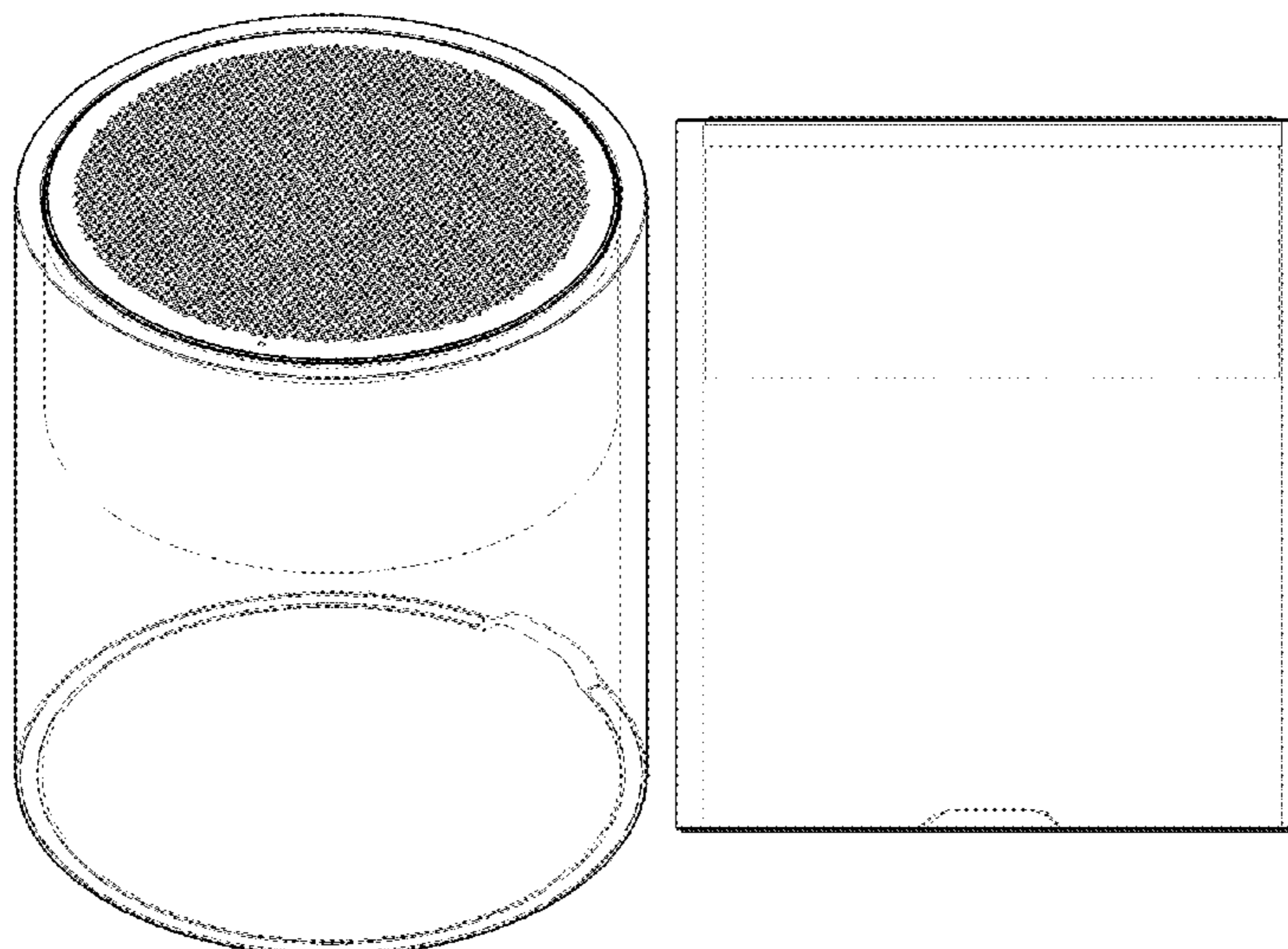
The ornamental design for a speaker, as shown and described.

DESCRIPTION

- 1. Speaker
- 1.1 : Perspective
- 1.2 : Front
- 1.3 : Back
- 1.4 : Left
- 1.5 : Right
- 1.6 : Top
- 1.7 : Bottom
- 1.8 : Reference

Reproduction 1.8 is a reference view showing a state of use in which the speaker is combined with a stand. The broken lines indicating portions of the speaker and showing of a stand in reproductions 1.7 and 1.8 form no part of the claimed design.

1 Claim, 8 Drawing Sheets



(56)

References Cited

U.S. PATENT DOCUMENTS

8,931,192 B2 * 1/2015 Acworth F21S 6/002
 40/554
 D739,070 S * 9/2015 Wilson D26/104
 D743,377 S * 11/2015 Mackiewicz D14/216
 D779,705 S * 2/2017 Starck D26/93
 D784,271 S * 4/2017 Burke D13/168
 D792,374 S * 7/2017 Kim D14/204
 D817,922 S * 5/2018 Hong D14/210
 D817,923 S * 5/2018 Hong D14/211
 D819,596 S * 6/2018 Sun D14/211
 D843,418 S * 3/2019 Demin D14/496
 D847,115 S * 4/2019 Li D14/204

FOREIGN PATENT DOCUMENTS

WO D100659-001 * 10/2018
 WO D100660-001 * 10/2018
 WO D101544-001 * 10/2018

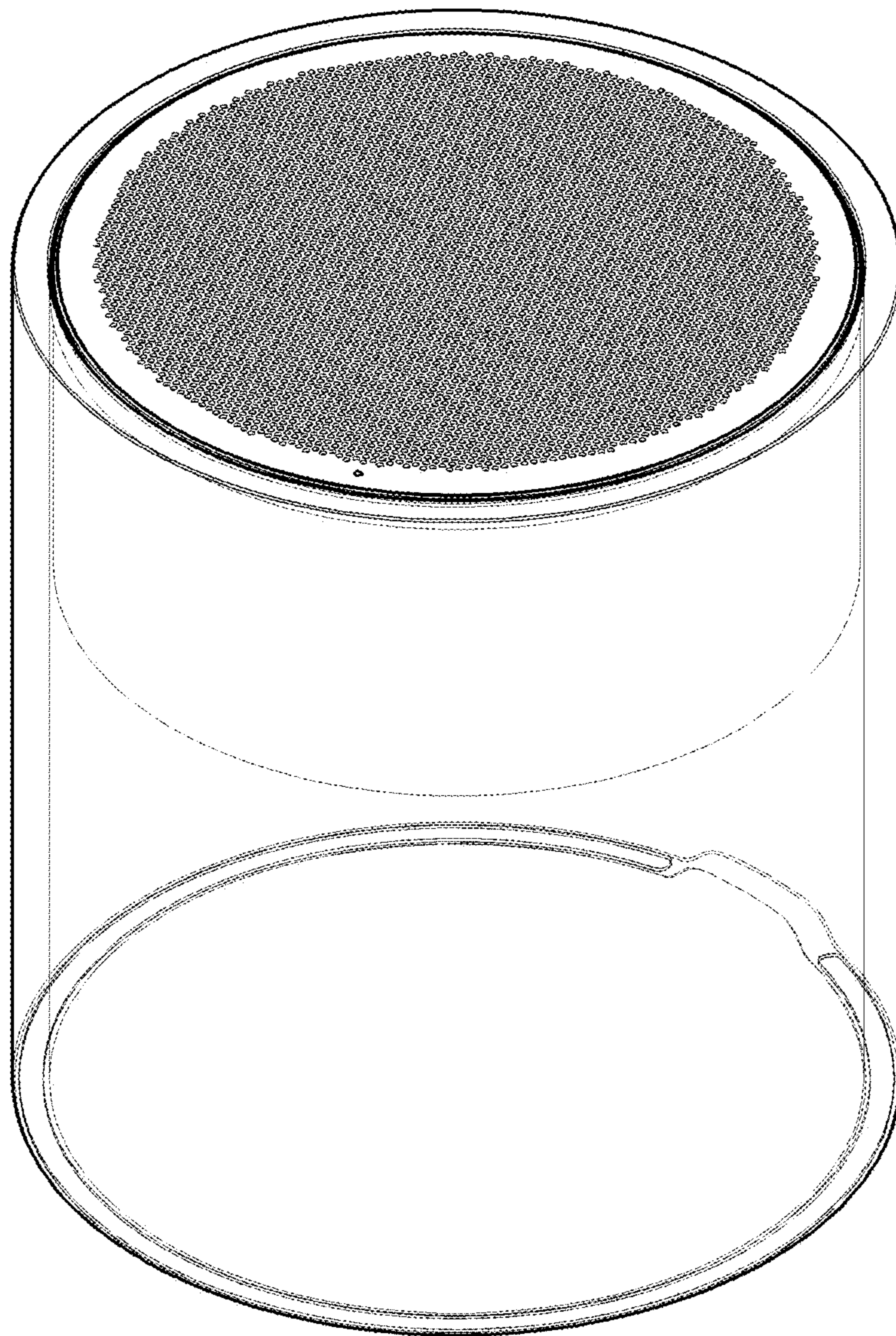
OTHER PUBLICATIONS

TWS Speaker Bluetooth Twin Mini Stereo speakers, announced 2016 [online], [retrieved Jul. 16, 2019]. Available from Internet, URL: <<http://www.shiningsmart.com/tws-speaker-bluetooth-twin-mini-stereo-speakers-waterproof-transparent.html>> (Year: 2019).*

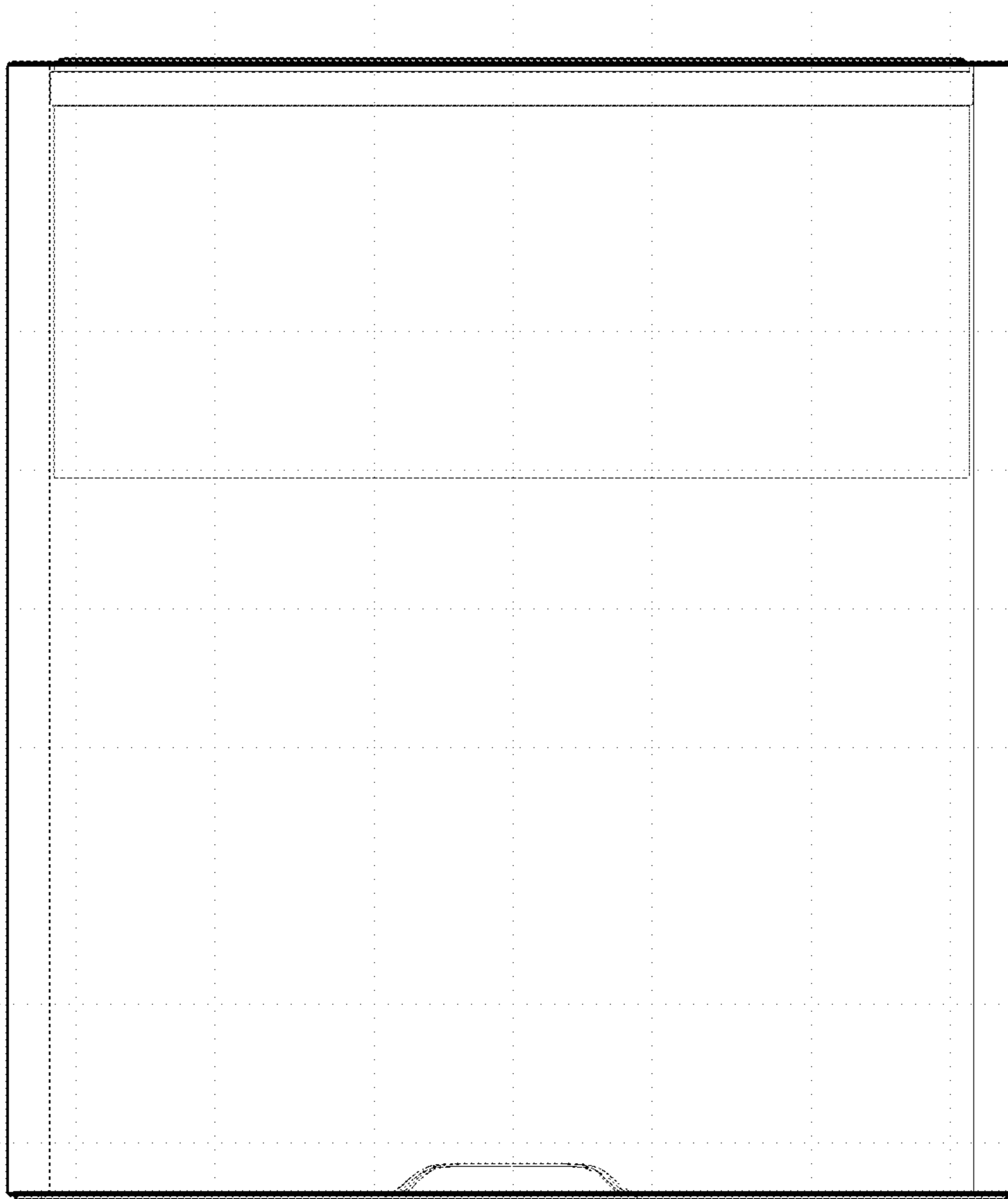
LG PH1 Portable Bluetooth Wireless 360° Speaker, announced Jan. 15, 2018 [online], [retrieved Jul. 16, 2019]. Available from Internet, URL: <<https://www.groupon.com/deals/gg-cm-new-lg-ph1-portable-bluetooth-speakers-led-mood-light-360-sound>> (Year: 2018).*

* cited by examiner

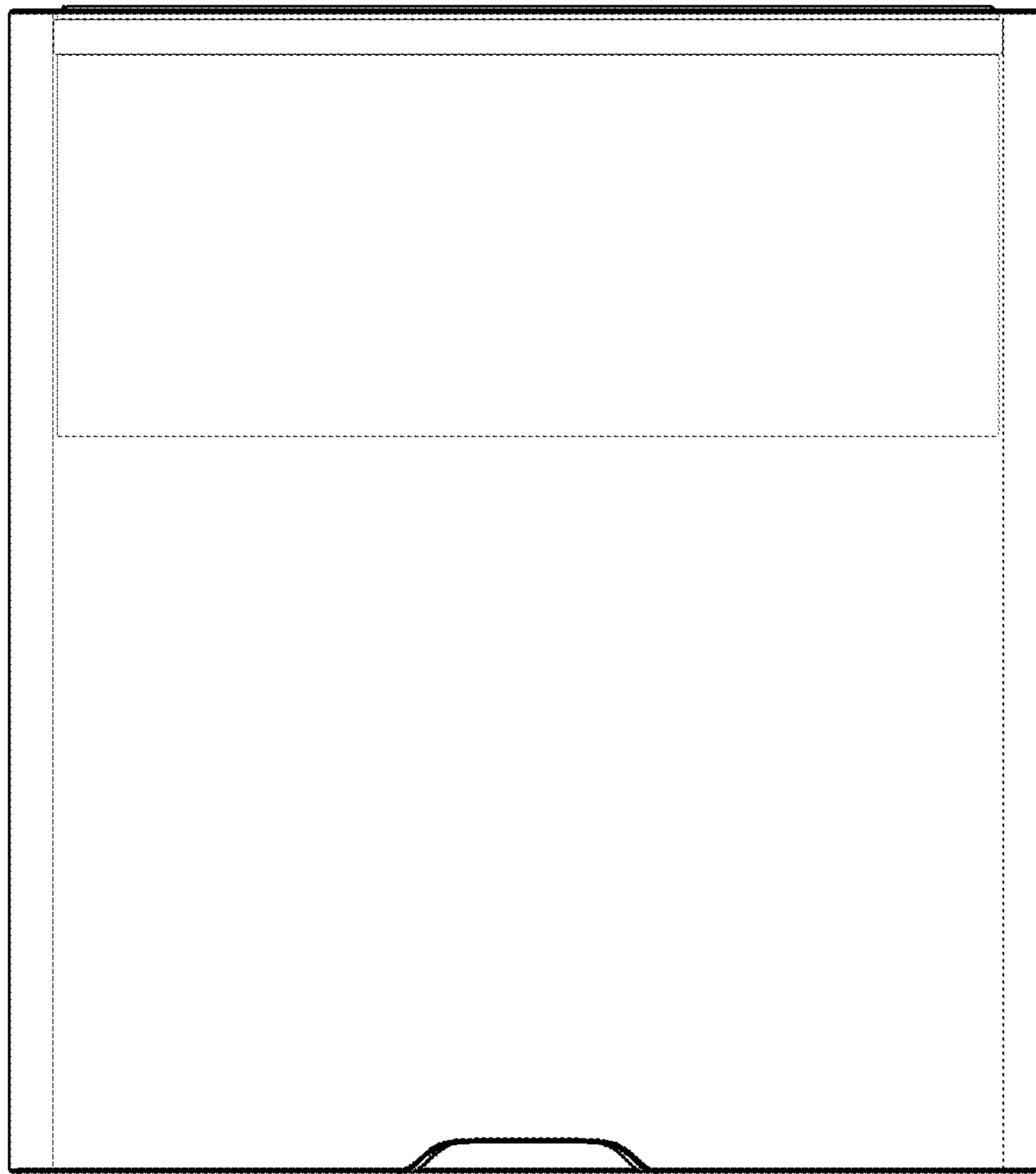
1.1



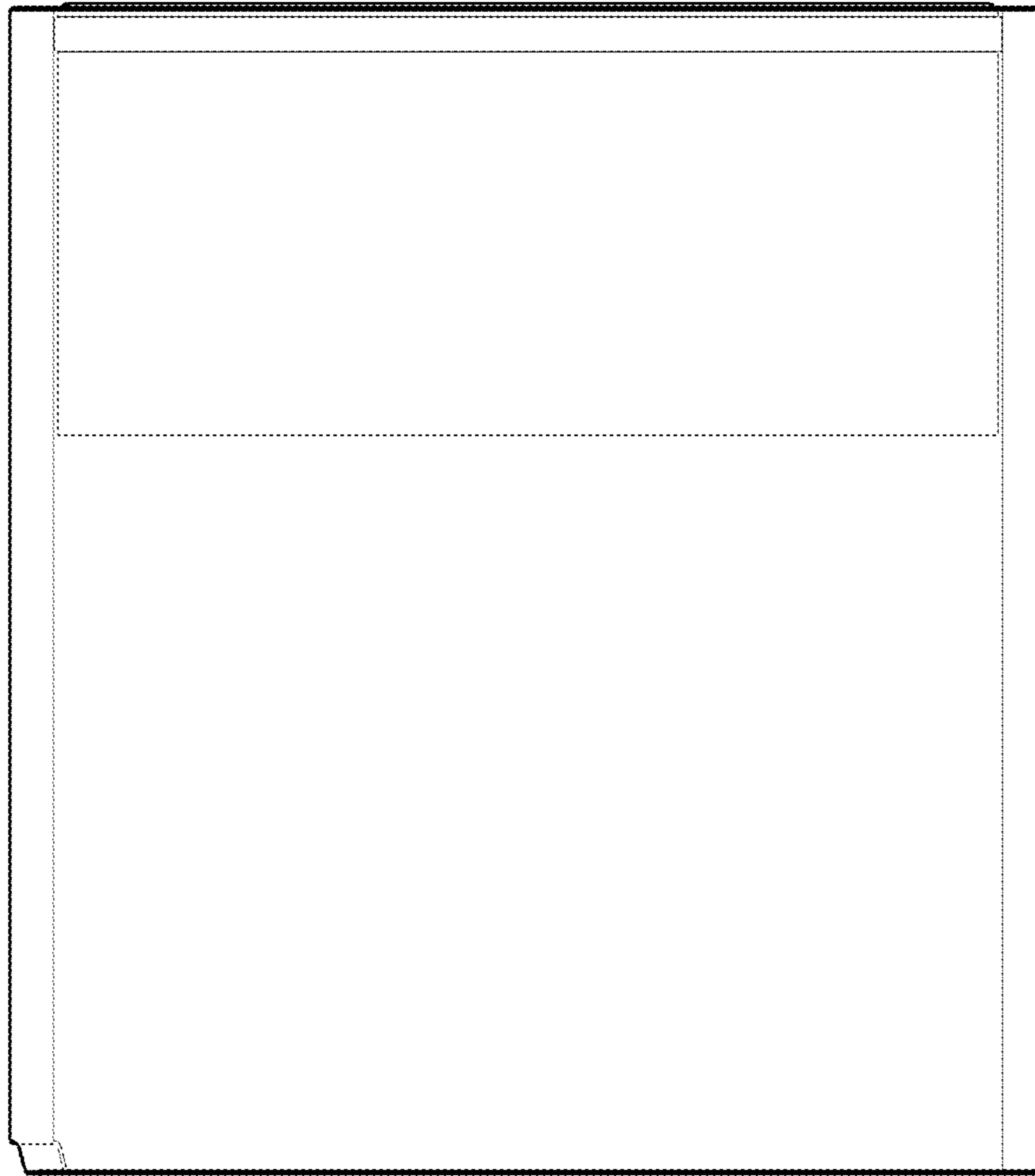
1.2



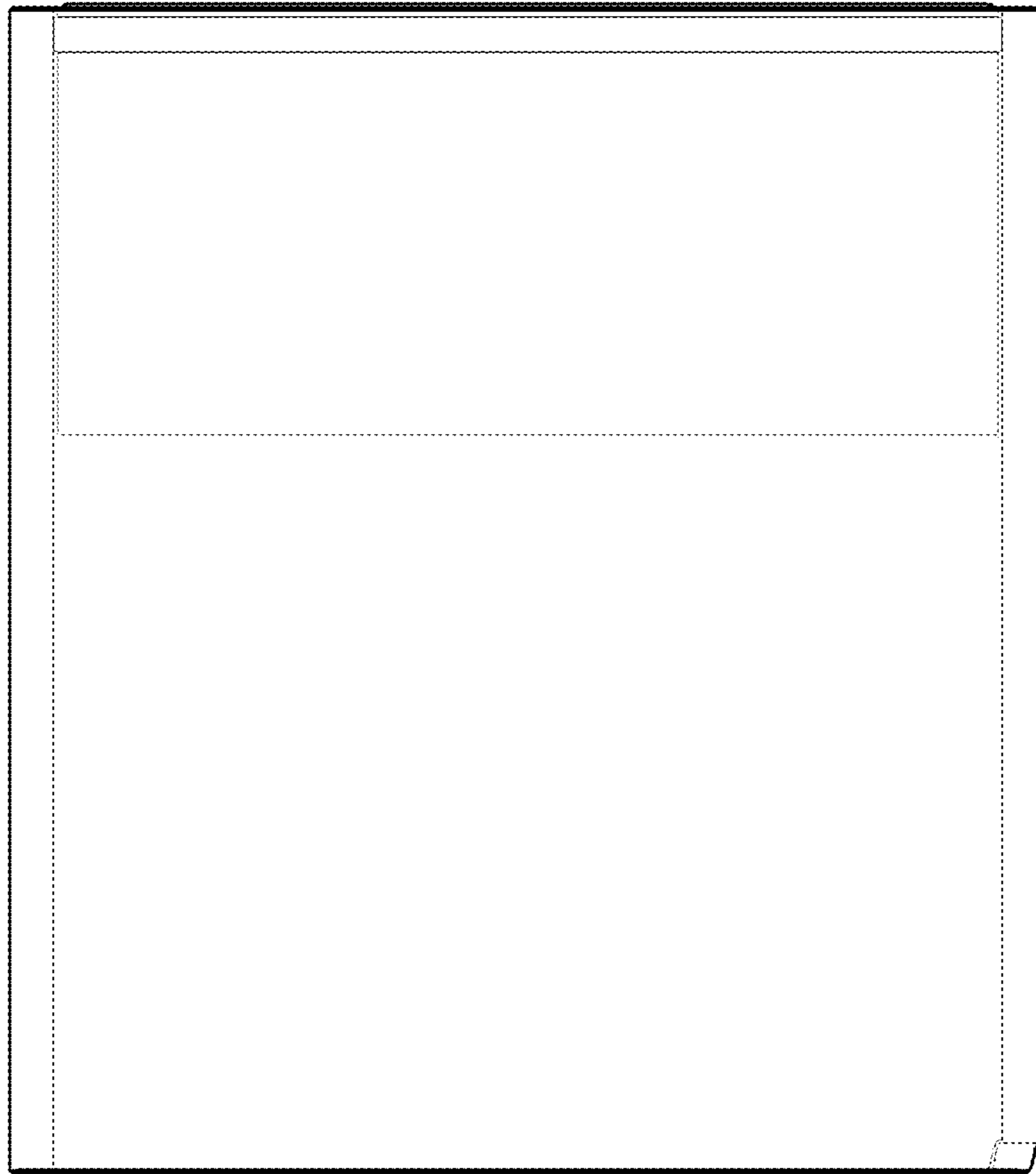
1.3



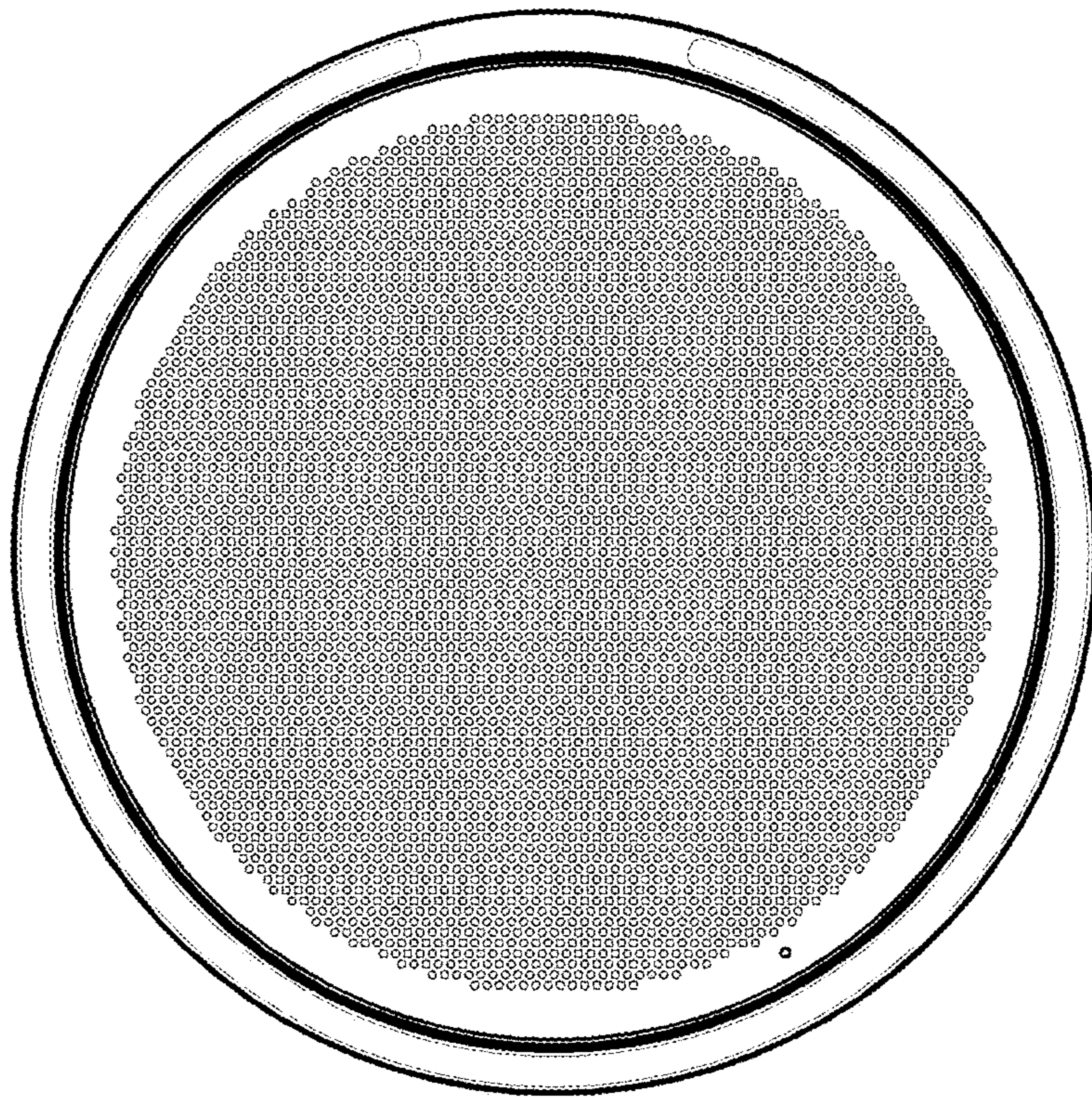
1.4



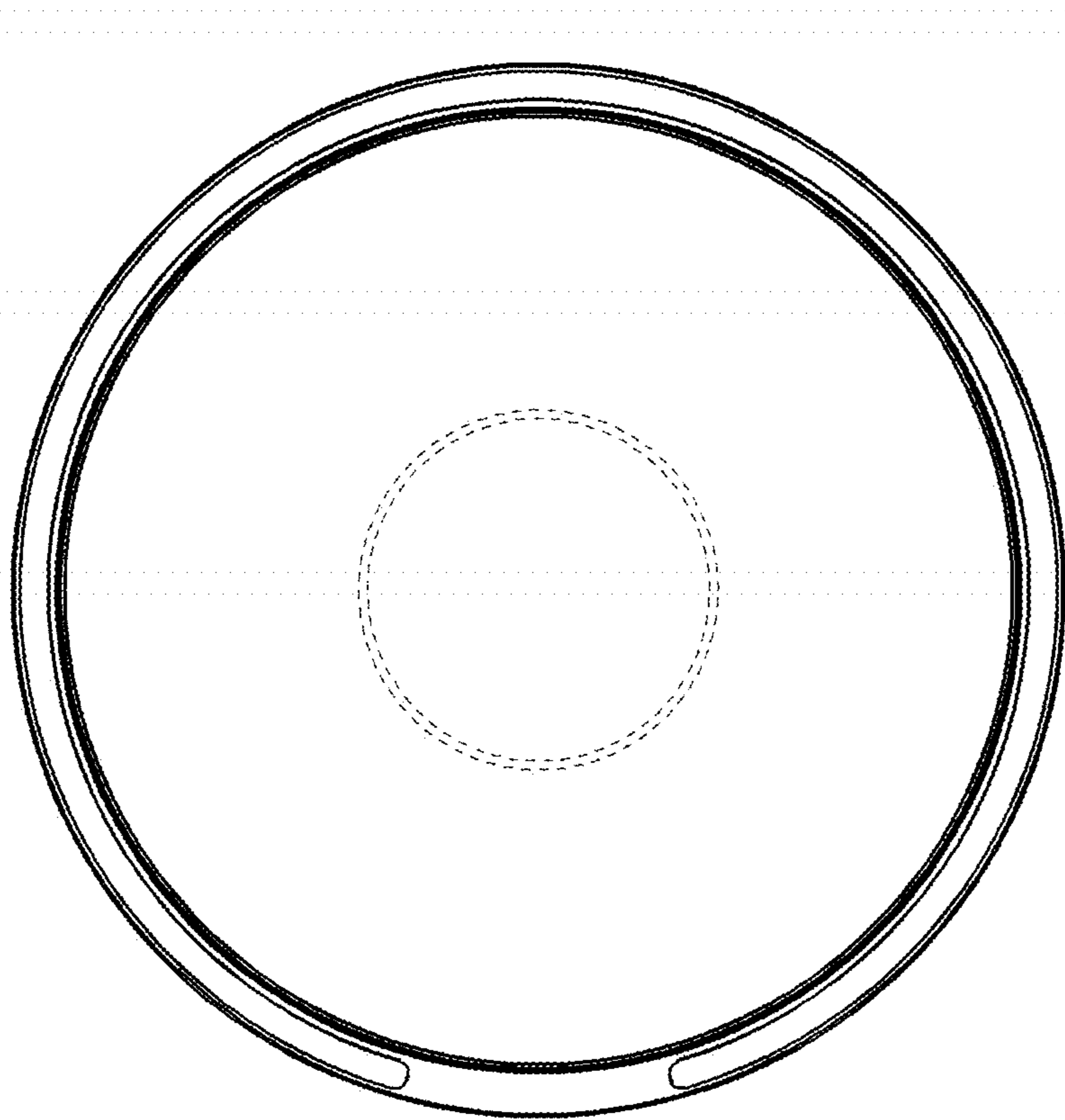
1.5



1.6



1.7



1.8

