



US00D870703S

(12) **United States Design Patent**
Yu et al.

(10) **Patent No.:** **US D870,703 S**

(45) **Date of Patent:** **** Dec. 24, 2019**

(54) **WIRELESS SPEAKER**

2400/00; H04R 2400/07; H04R 2499/11;
H04R 2499/13; H04R 2499/15; H04S
3/00; H04S 7/30

(71) Applicant: **Shenzhen Divoom Technology Co., LTD.**, Shenzhen, Guangdong (CN)

See application file for complete search history.

(72) Inventors: **Chaoliang Yu**, Guangdong (CN); **Wen Jian**, Guangdong (CN)

(56) **References Cited**

(73) Assignee: **Shenzhen Divoom Technology Co., Ltd.**, Shenzhen (CN)

U.S. PATENT DOCUMENTS

(**) Term: **15 Years**

D232,769 S *	9/1974	Au et al.	D14/194
D297,831 S *	9/1988	Hirose	D14/162
D540,298 S *	4/2007	Amid-Hozour	D14/188
D711,354 S *	8/2014	Florczak	D14/215
D743,937 S *	11/2015	Farr	D14/214
D752,541 S *	3/2016	Holzer	D14/204
D813,198 S *	3/2018	Lin	D14/214
D822,634 S *	7/2018	Zaihui	D14/204

(21) Appl. No.: **29/650,011**

(22) Filed: **Jun. 4, 2018**

* cited by examiner

(30) **Foreign Application Priority Data**

Apr. 18, 2018 (CN) 2018 3 0160478

Primary Examiner — Keli L Hill

(51) **LOC (12) Cl.** **14-01**

(74) *Attorney, Agent, or Firm* — Hahn Loeser & Parks LLP

(52) **U.S. Cl.**
USPC **D14/214**

(57) **CLAIM**

(58) **Field of Classification Search**
USPC D14/167, 168, 170–172, 188, 194–196,
D14/204, 209.1, 210–216, 219, 221, 222,
D14/224, 239, 496

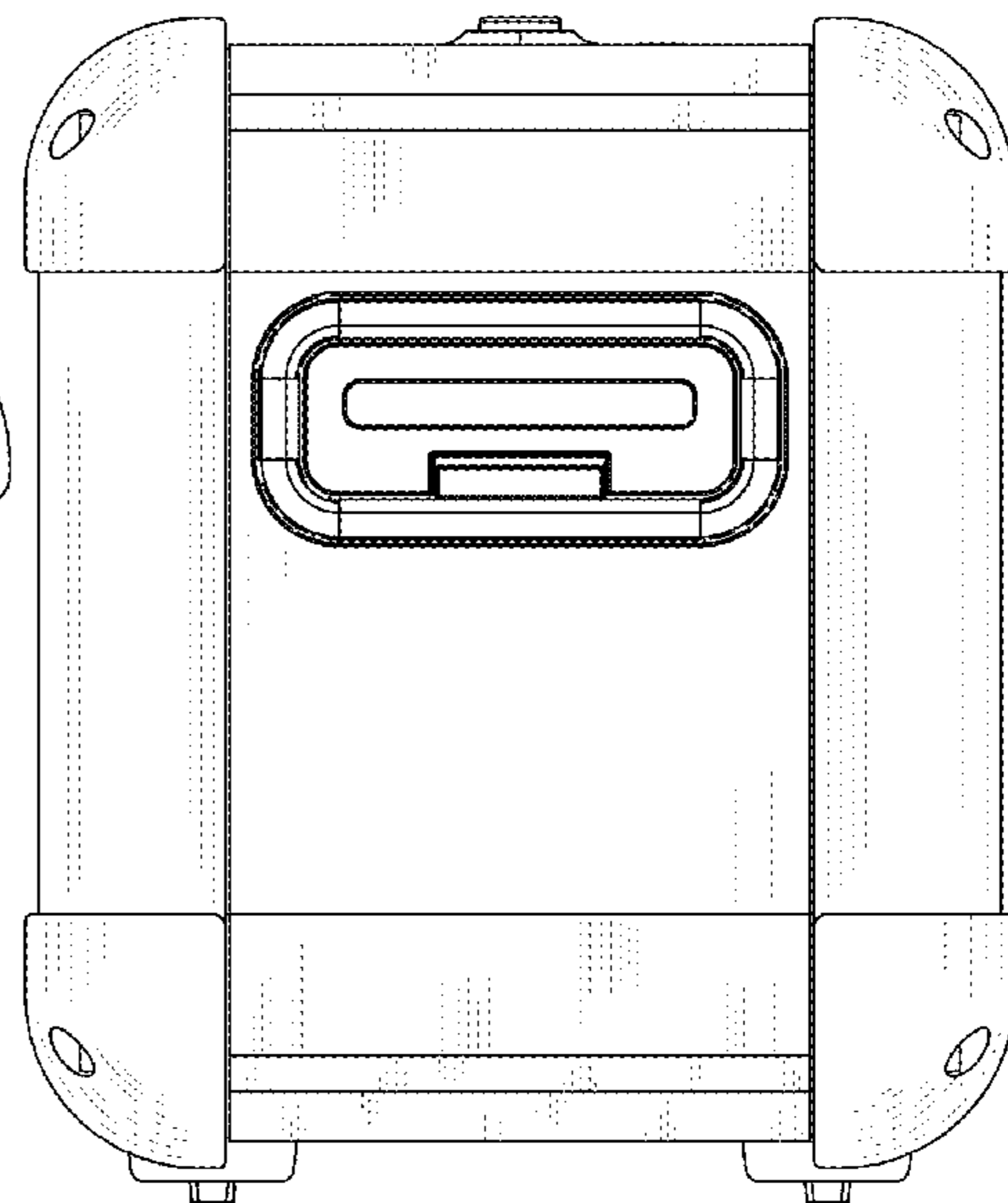
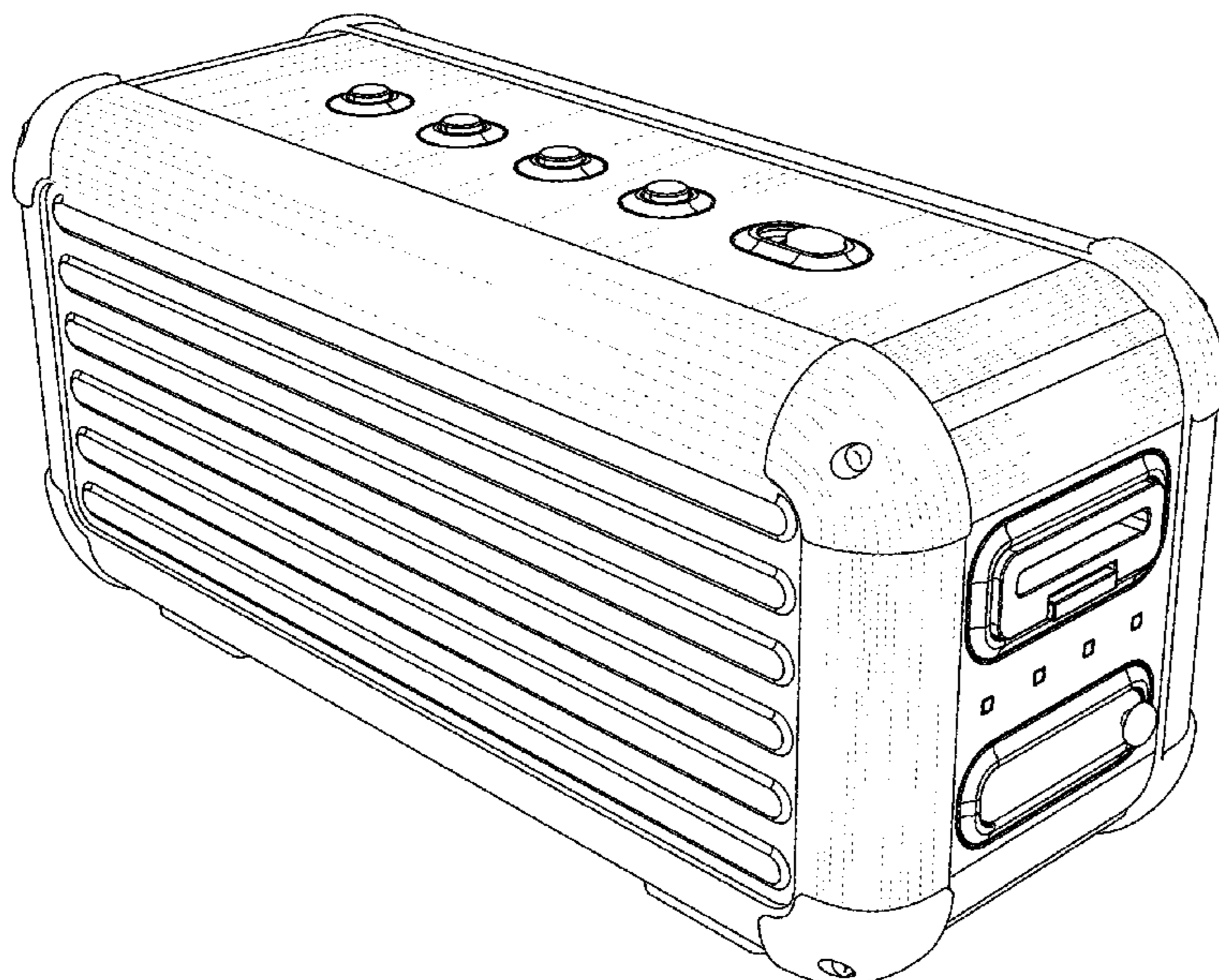
The ornamental design for a wireless speaker, as shown and described.

CPC B60R 11/0217; G06F 1/1688; G10K 9/22;
G10K 11/004; H03F 1/327; H04M 1/03;
H04M 1/035; H04N 5/642; H04N
21/4852; H04R 1/02; H04R 1/06; H04R
1/021; H04R 1/025; H04R 1/026; H04R
1/028; H04R 1/105; H04R 1/323; H04R
1/403; H04R 1/2803; H04R 1/2834;
H04R 5/02; H04R 7/20; H04R 9/06;
H04R 9/025; H04R 2201/021; H04R

DESCRIPTION

FIG. 1 is a perspective view of a wireless speaker showing our new design;
FIG. 2 is a front view thereof;
FIG. 3 is a back view thereof;
FIG. 4 is a left side view thereof;
FIG. 5 is a right side view thereof;
FIG. 6 is a top view thereof; and,
FIG. 7 is a bottom view thereof.

1 Claim, 7 Drawing Sheets



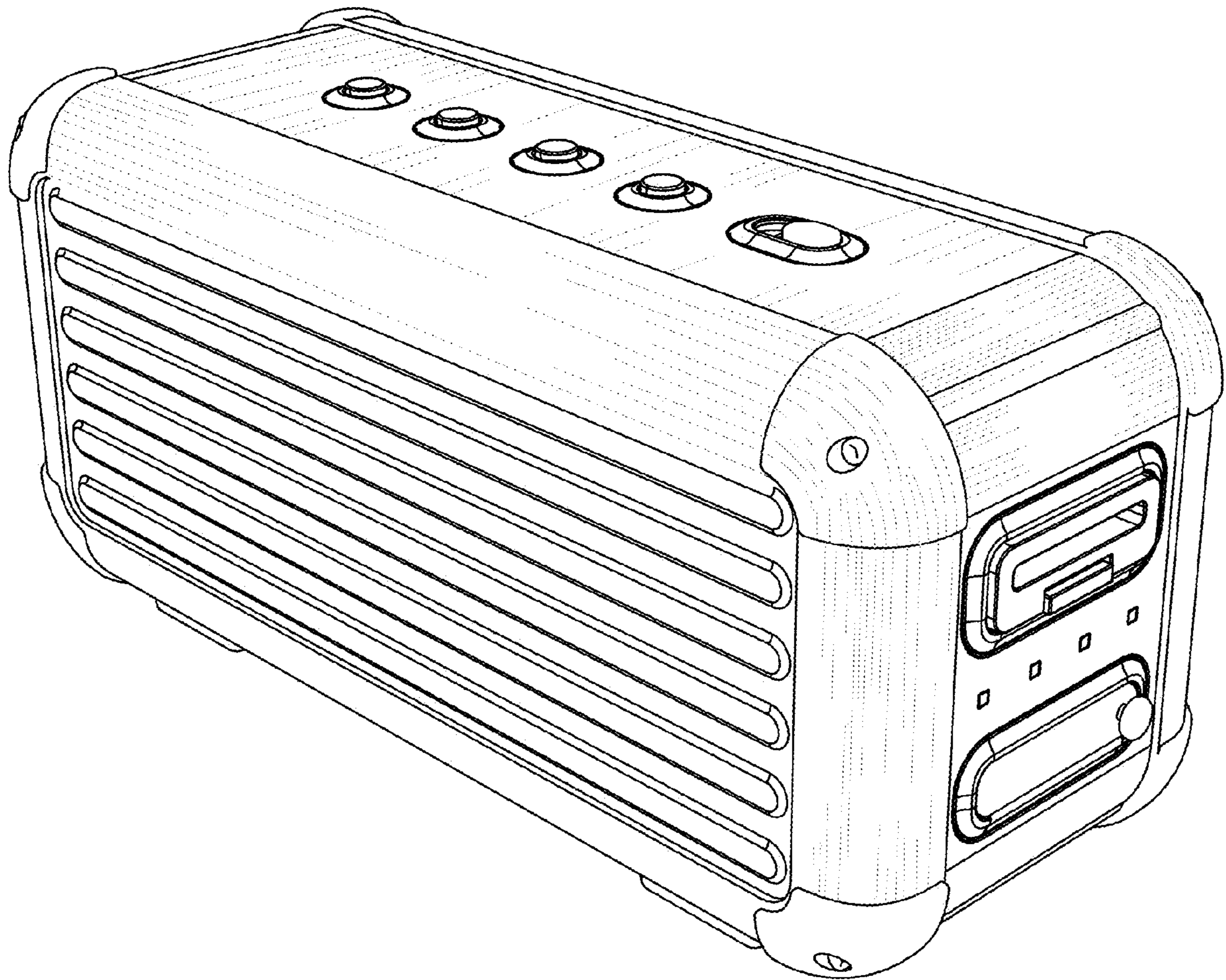


FIG.1

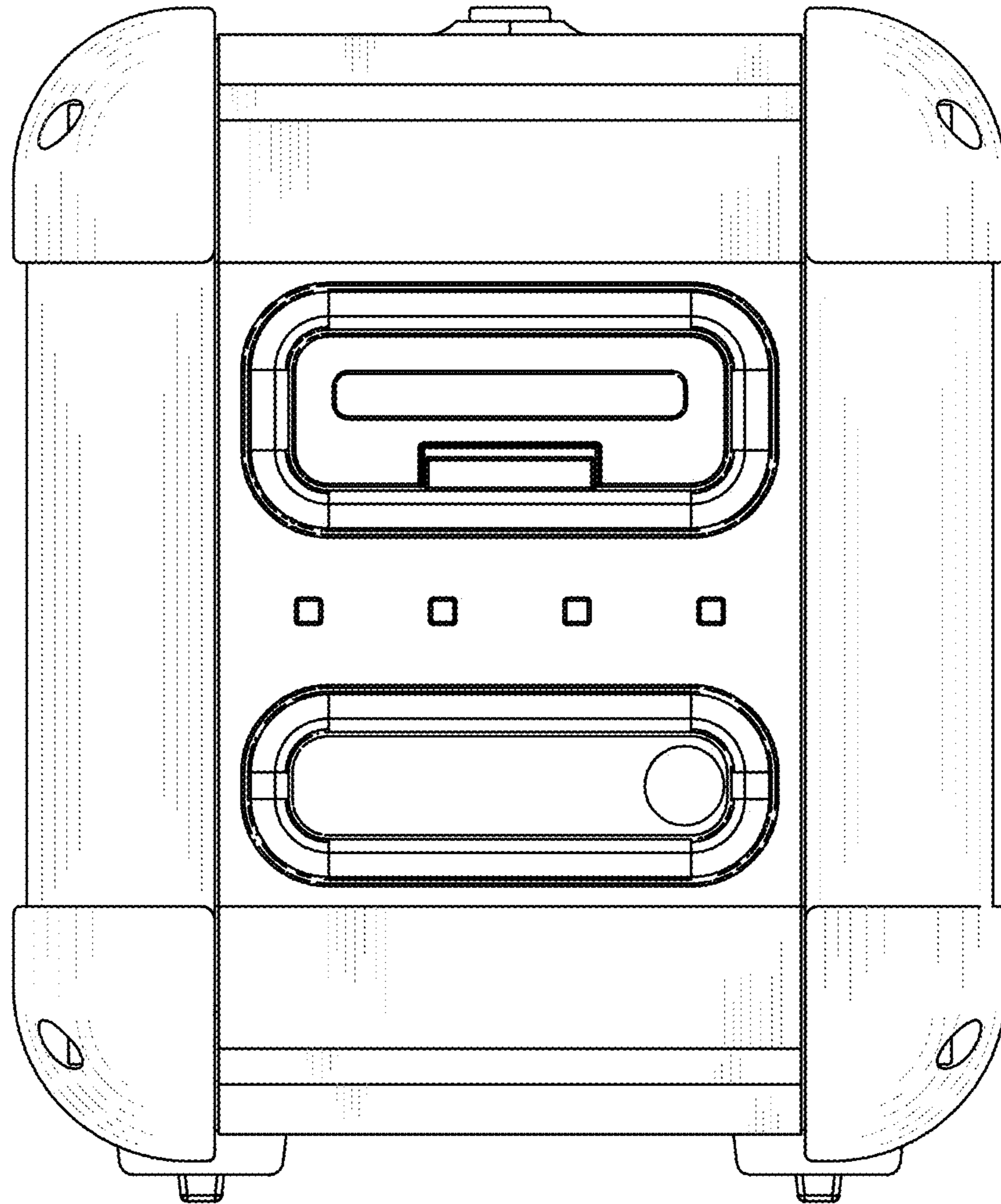


FIG.2

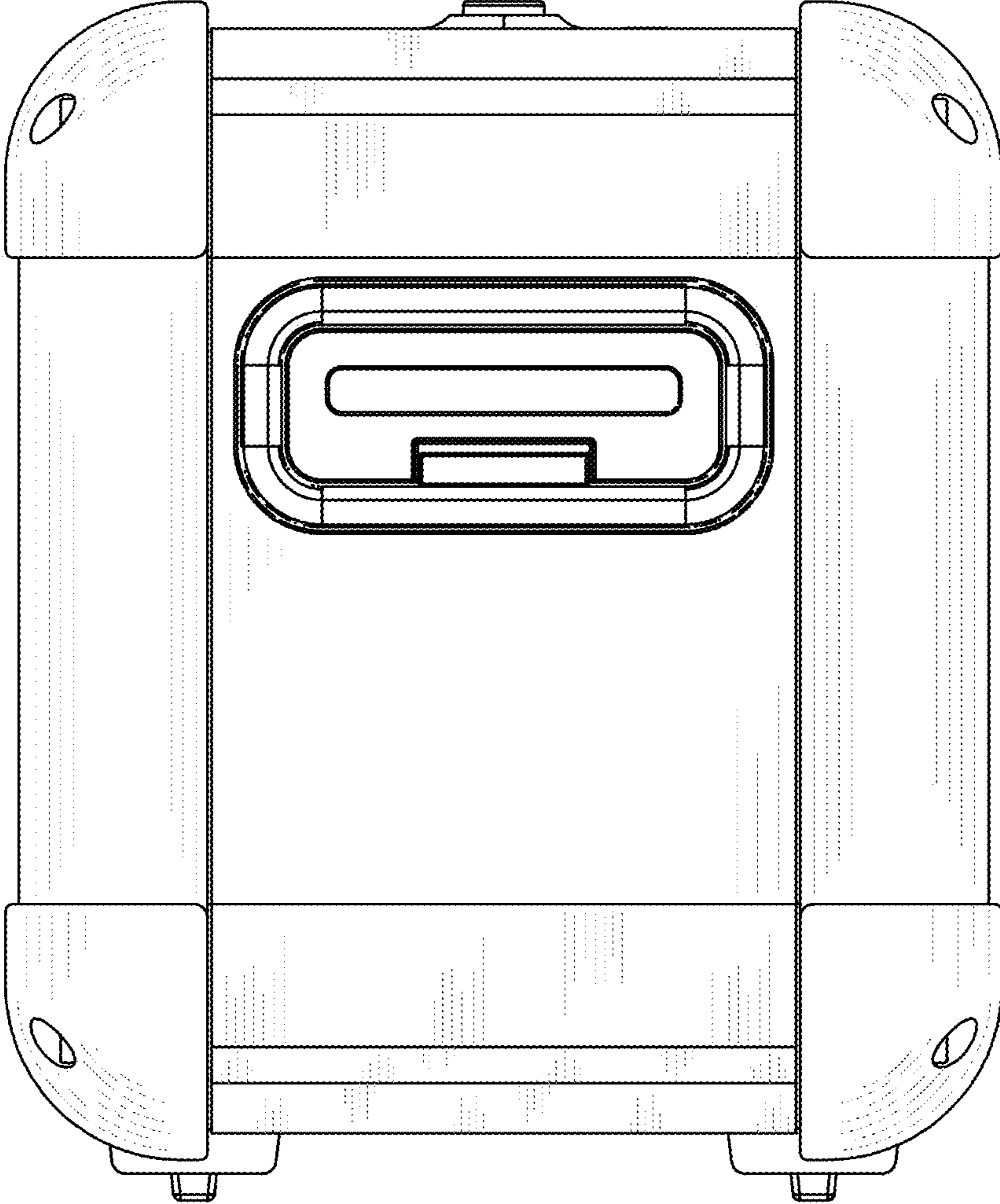


FIG.3

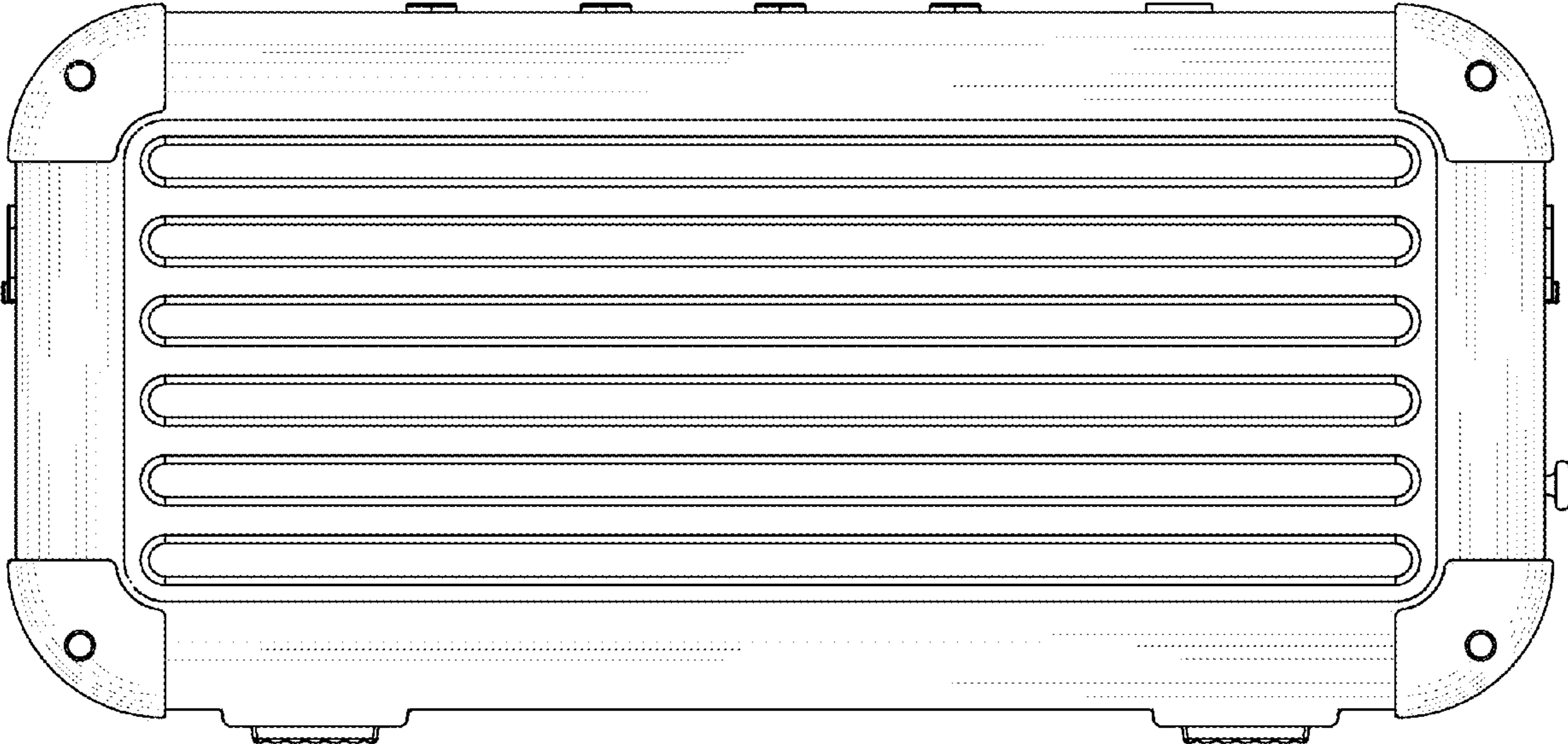


FIG.4

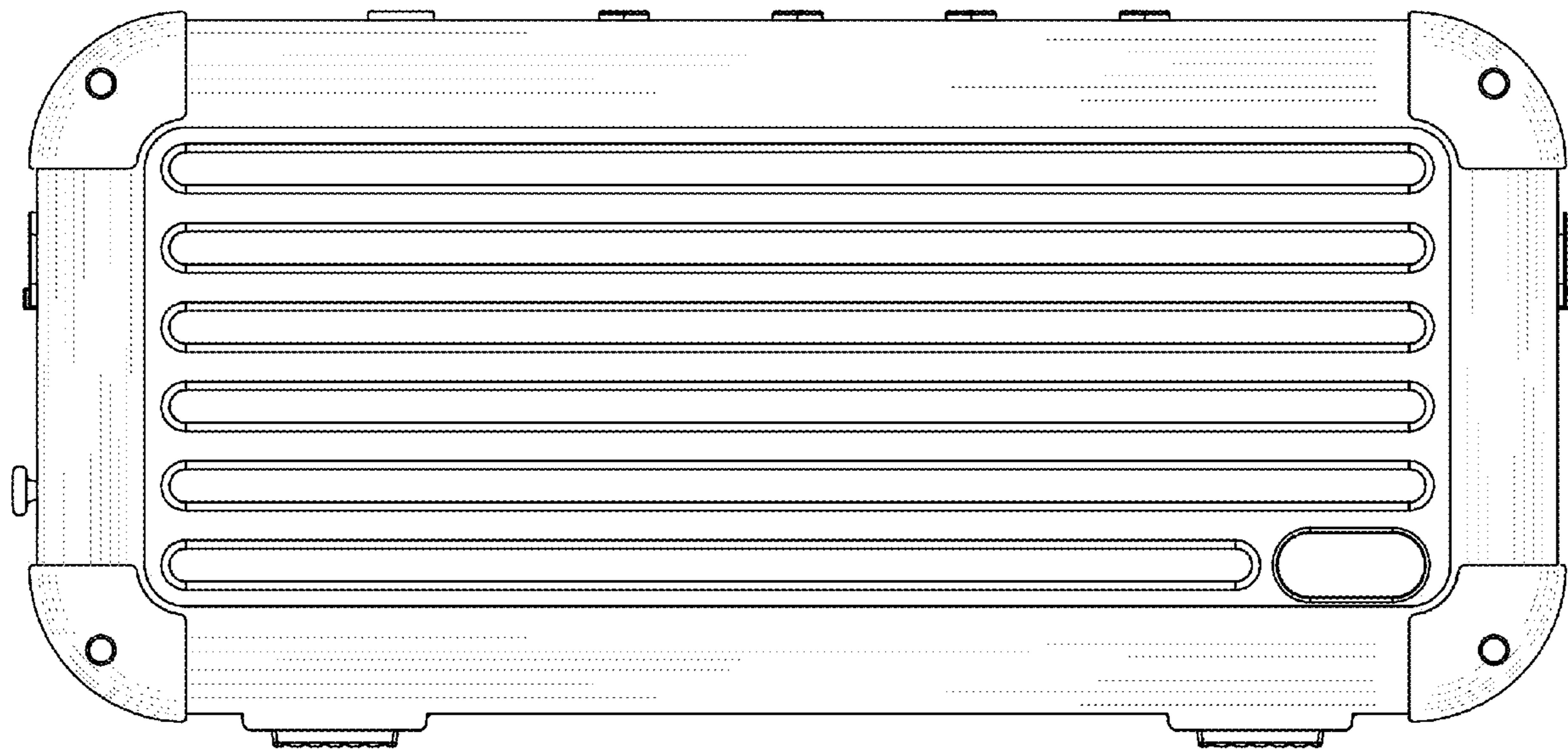


FIG.5

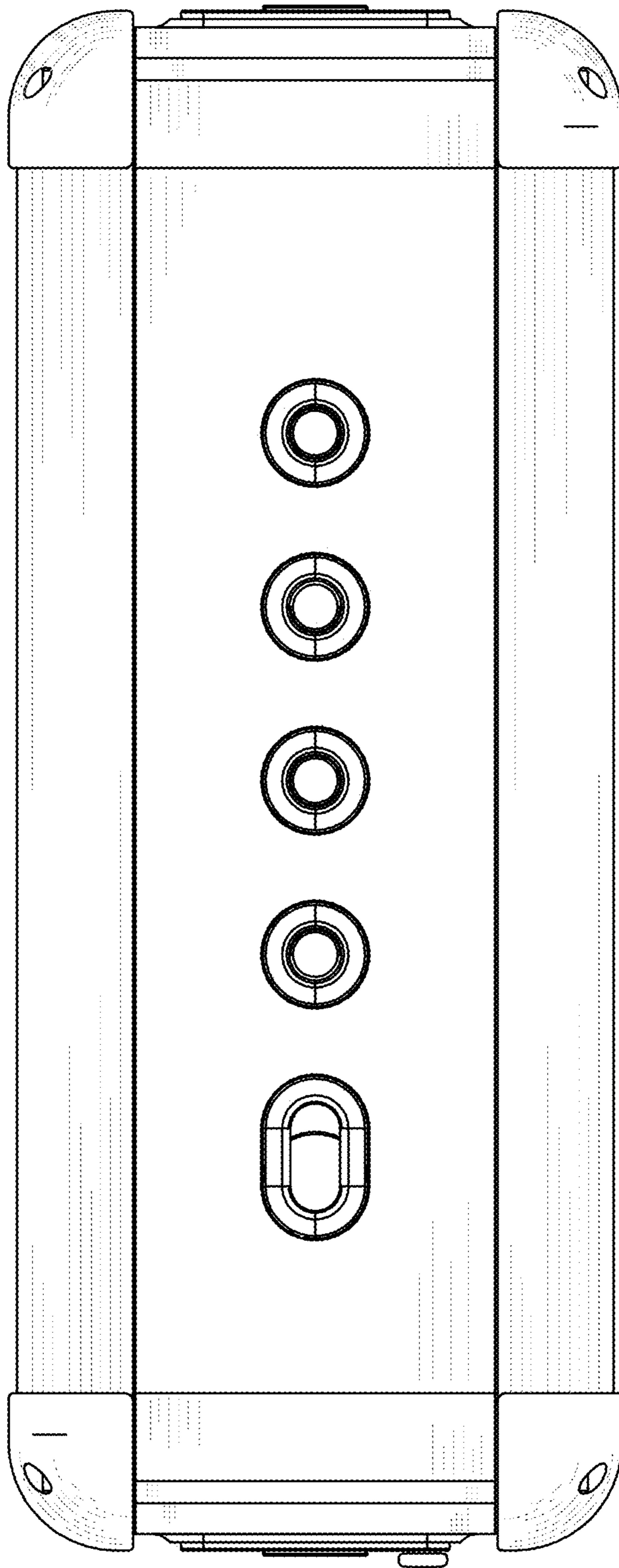


FIG.6

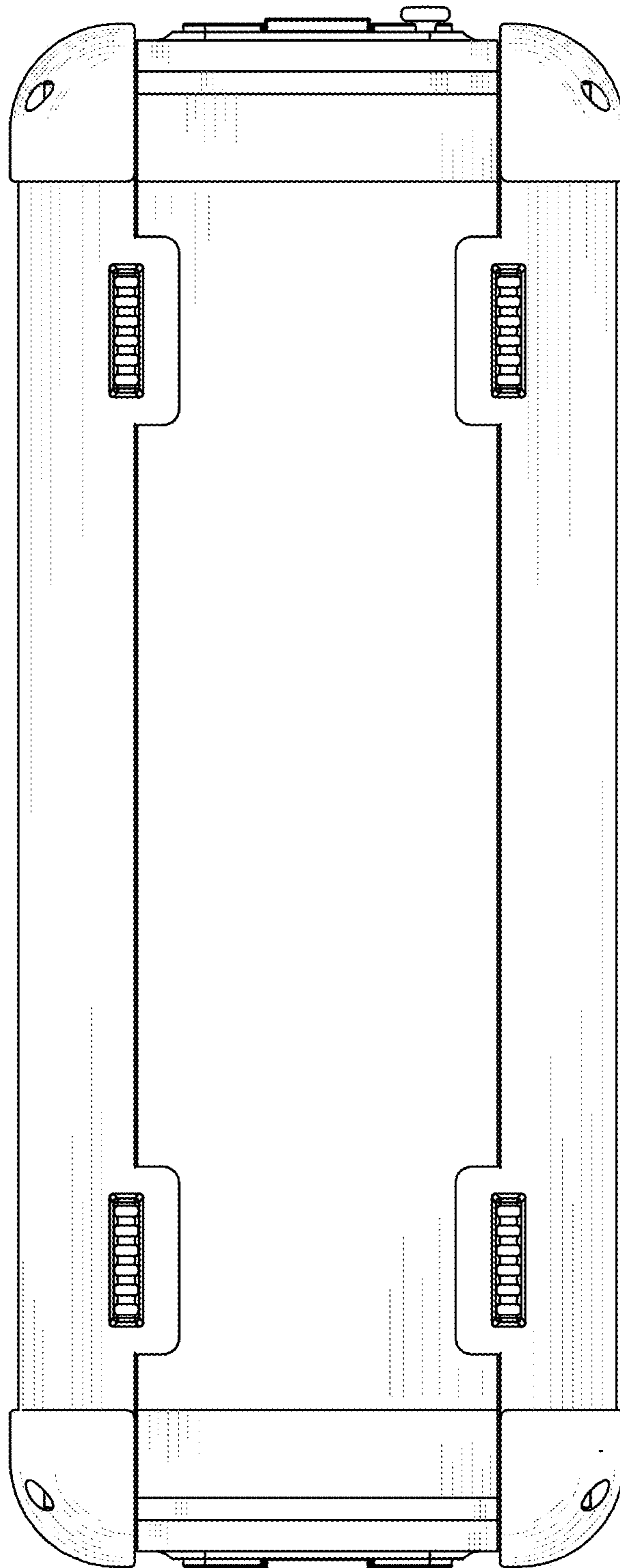


FIG. 7