



US00D870701S

(12) **United States Design Patent** (10) **Patent No.:** **US D870,701 S**  
**Lee et al.** (45) **Date of Patent:** **\*\* \*Dec. 24, 2019**

(54) **SPEAKER**

(71) Applicant: **LG ELECTRONICS INC.**, Seoul (KR)

(72) Inventors: **Sangho Lee**, Seoul (KR); **Sooyoung Park**, Seoul (KR)

(73) Assignee: **LG Electronics Inc.**, Seoul (KR)

(\*) Notice: This patent is subject to a terminal disclaimer.

(\*\*) Term: **15 Years**

(21) Appl. No.: **35/505,811**

(22) Filed: **Apr. 5, 2018**

(80) **Hague Agreement Data**

Int. Filing Date: **Apr. 5, 2018**

Int. Reg. No.: **DM/100660**

Int. Reg. Date: **Apr. 5, 2018**

Int. Reg. Pub. Date: **Oct. 5, 2018**

(30) **Foreign Application Priority Data**

Oct. 10, 2017 (KR) ..... 30-2017-0046732

(51) **LOC (12) Cl.** ..... **14-01**

(52) **U.S. Cl.**  
USPC ..... **D14/211**; D14/216

(58) **Field of Classification Search**

USPC ..... D14/204, 205, 206, 210–216, 221, 239,  
D14/249, 265, 209.1, 203.8, 253, 447,  
D14/192, 223, 224, 199, 372, 225, 226;  
D21/513, 516; D26/93; D29/112

CPC . B60R 11/0217; B60R 11/0223; H04R 1/023;  
H04R 1/025; H04R 1/323; H04R 5/02;  
H04R 19/02; H04R 2400/00; H04R  
2400/07; H04R 2400/11; G06F 1/16

See application file for complete search history.

(56) **References Cited**

U.S. PATENT DOCUMENTS

D647,242 S \* 10/2011 Staples ..... D26/93  
D711,352 S \* 8/2014 Szymanski ..... D14/216  
D711,353 S \* 8/2014 Szymanski ..... D14/216  
8,931,192 B2 \* 1/2015 Acworth ..... F21S 6/002  
40/554  
D739,070 S \* 9/2015 Wilson ..... D26/104  
(Continued)

FOREIGN PATENT DOCUMENTS

JP D1629063 \* 4/2019  
WO D090467-001 \* 10/2016  
(Continued)

OTHER PUBLICATIONS

LED Mini Bluetooth Speaker, announced 2019 [online], [retrieved Jul. 16, 2019]. Available from Internet, URL: <<https://www.aliexpress.com/item/LED-Mini-Bluetooth-Speaker-TF-USB-FM-Music-Loudspeakers-Hand-Free-for-LG-G3-Cat-6/32897313639.html>> (Year: 2019).\*

(Continued)

*Primary Examiner* — T Chase Nelson

*Assistant Examiner* — Dana K Weiland

(74) *Attorney, Agent, or Firm* — Birch, Stewart, Kolasch & Birch, LLP

(57) **CLAIM**

The ornamental design for a speaker, as shown and described.

**DESCRIPTION**

1. Speaker

**1.1** is a perspective view of a speaker showing the new design;

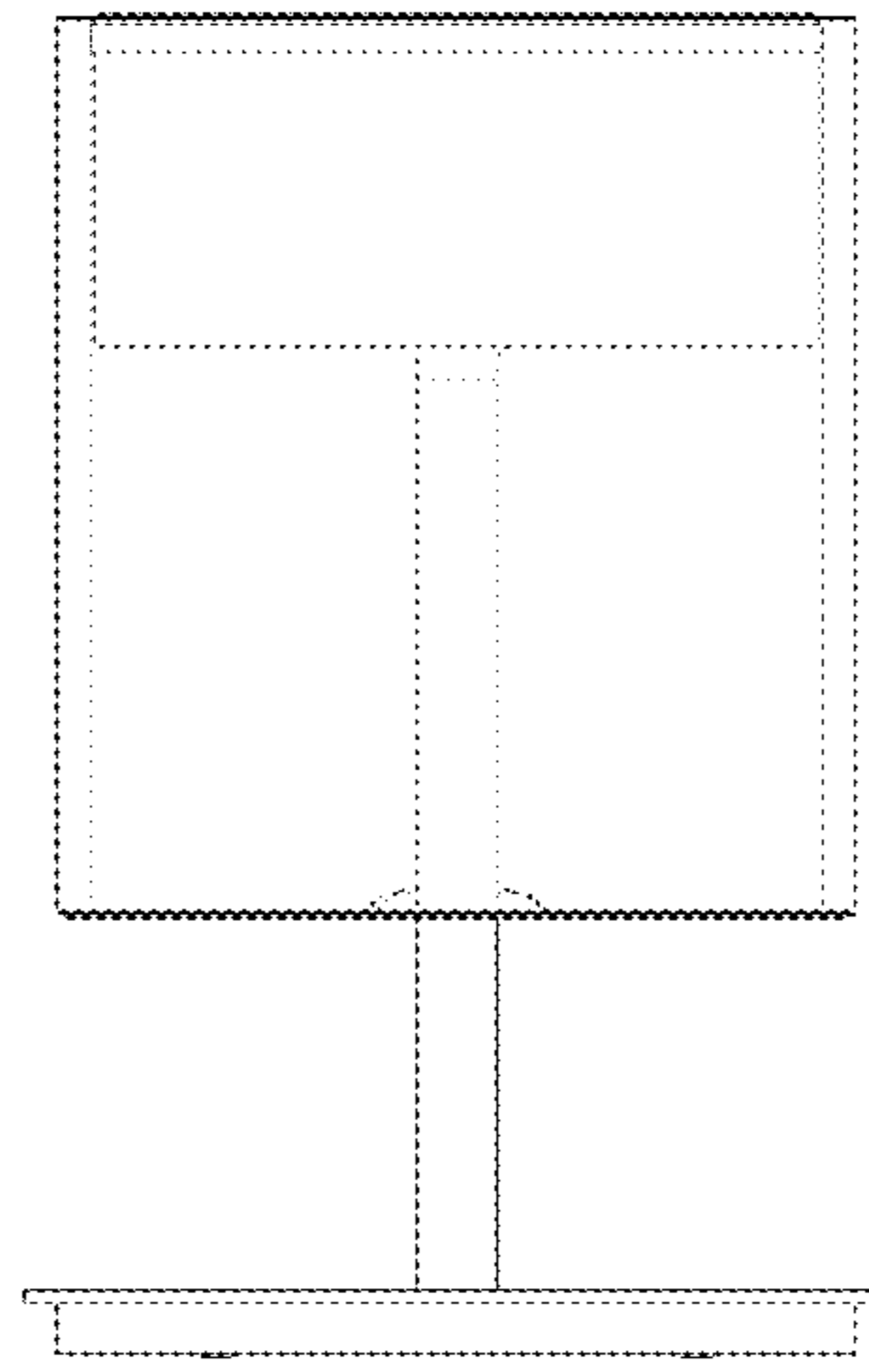
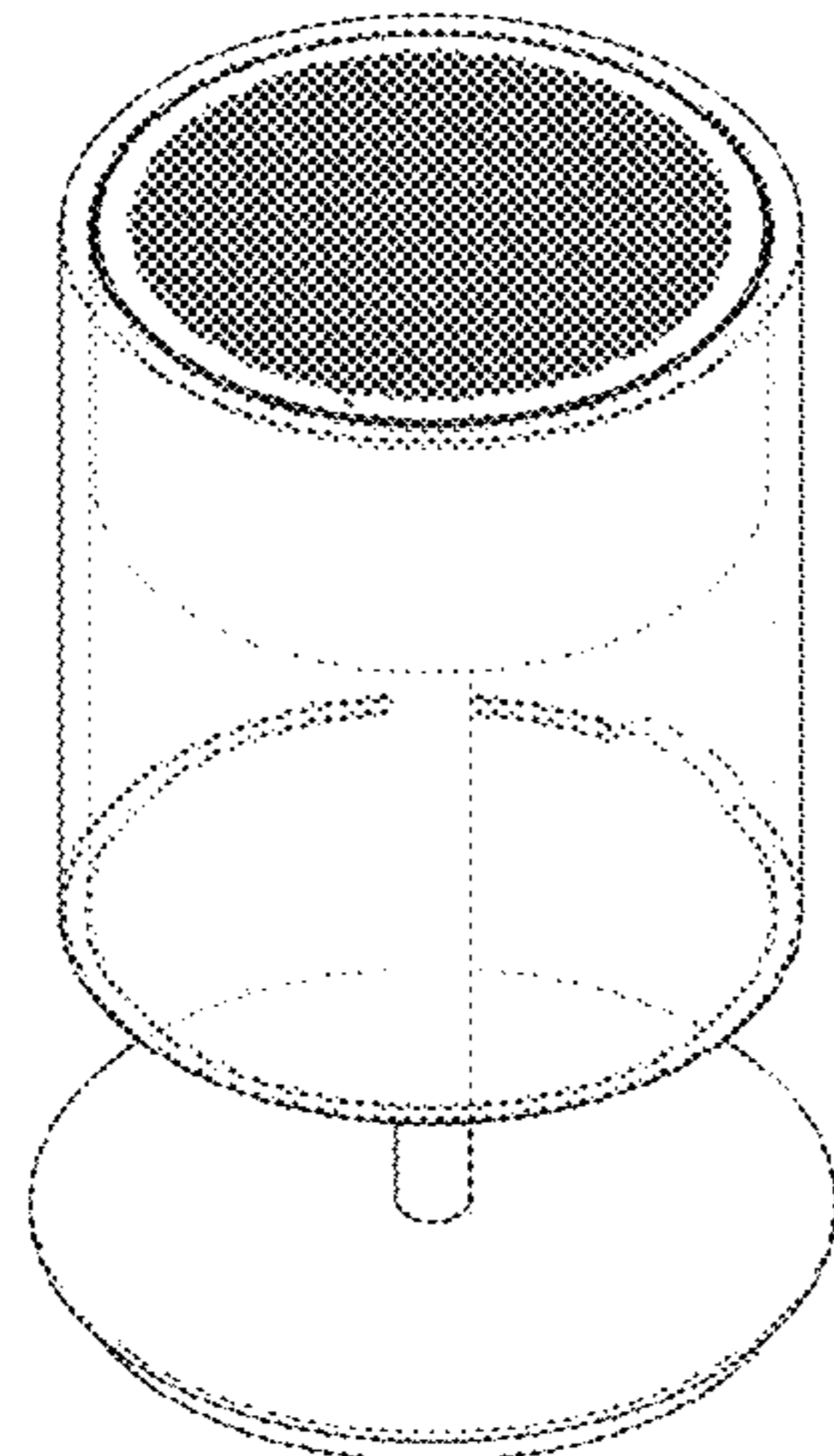
**1.2** is a front view thereof;

**1.3** is a back view thereof;

**1.4** is a left side view thereof;

**1.5** is a right side view thereof;

(Continued)



1.6 is an enlarged top view thereof; and  
1.7 is an enlarged bottom view thereof.

D843,418 S \* 3/2019 Demin ..... D14/496  
D847,115 S \* 4/2019 Li ..... D14/204  
D851,323 S \* 6/2019 Barber ..... D26/93

**1 Claim, 7 Drawing Sheets**

FOREIGN PATENT DOCUMENTS

(56) **References Cited**

WO D100660-001 \* 2/2018  
WO D100659-001 \* 10/2018  
WO D101544-001 \* 10/2018

U.S. PATENT DOCUMENTS

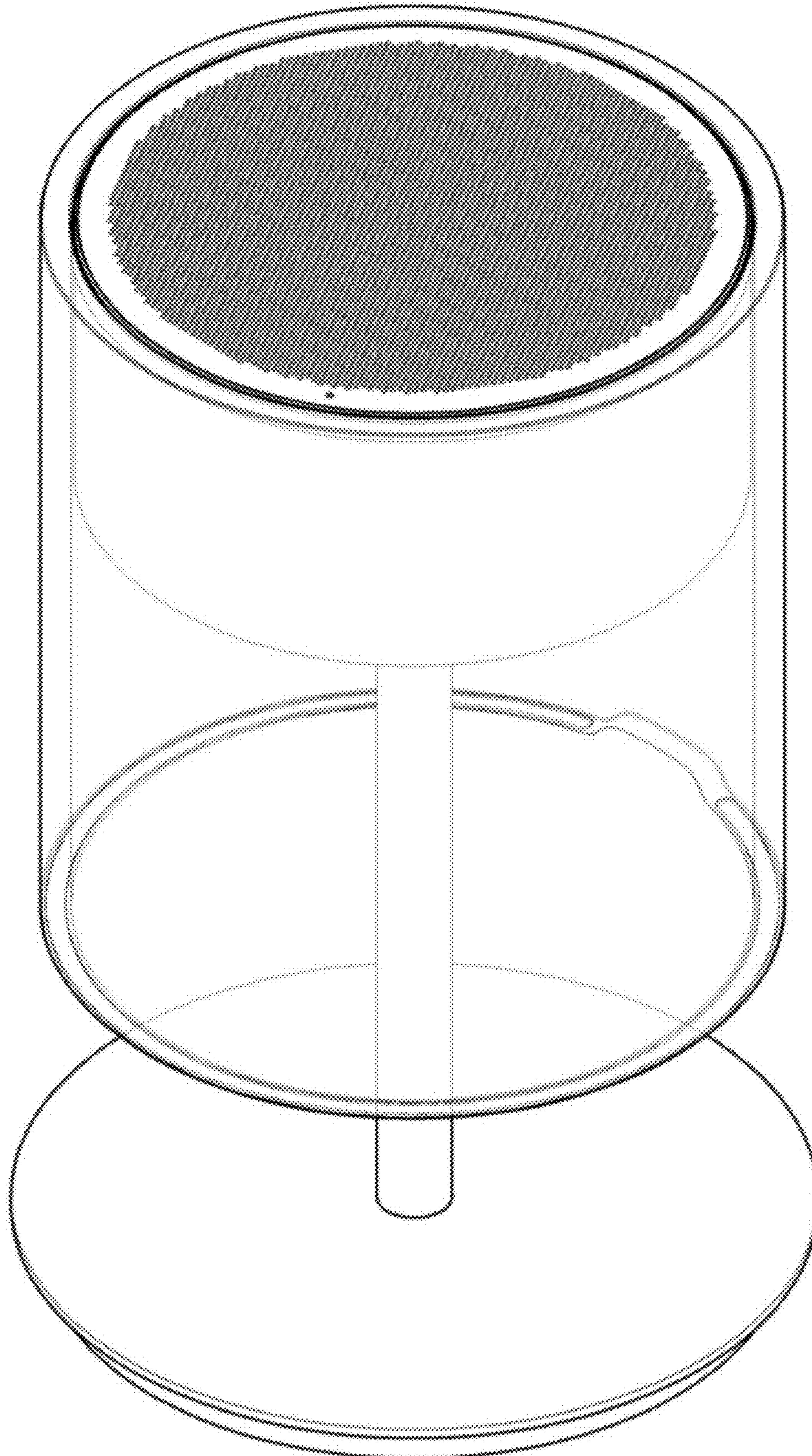
D766,823 S \* 9/2016 Wahl ..... D13/108  
D779,705 S \* 2/2017 Starck ..... D26/93  
D780,982 S \* 3/2017 Starck ..... D26/93  
D783,000 S \* 4/2017 Koo ..... D14/209.1  
D784,271 S \* 4/2017 Burke ..... D13/168  
D792,374 S \* 7/2017 Kim ..... D14/204  
D793,996 S \* 8/2017 Katz ..... D14/224  
D817,922 S \* 5/2018 Hong ..... D14/210  
D817,923 S \* 5/2018 Hong ..... D14/211  
D819,596 S \* 6/2018 Sun ..... D14/211  
D831,878 S \* 10/2018 Reybier ..... D26/93  
D836,608 S \* 12/2018 Kim ..... D14/216

OTHER PUBLICATIONS

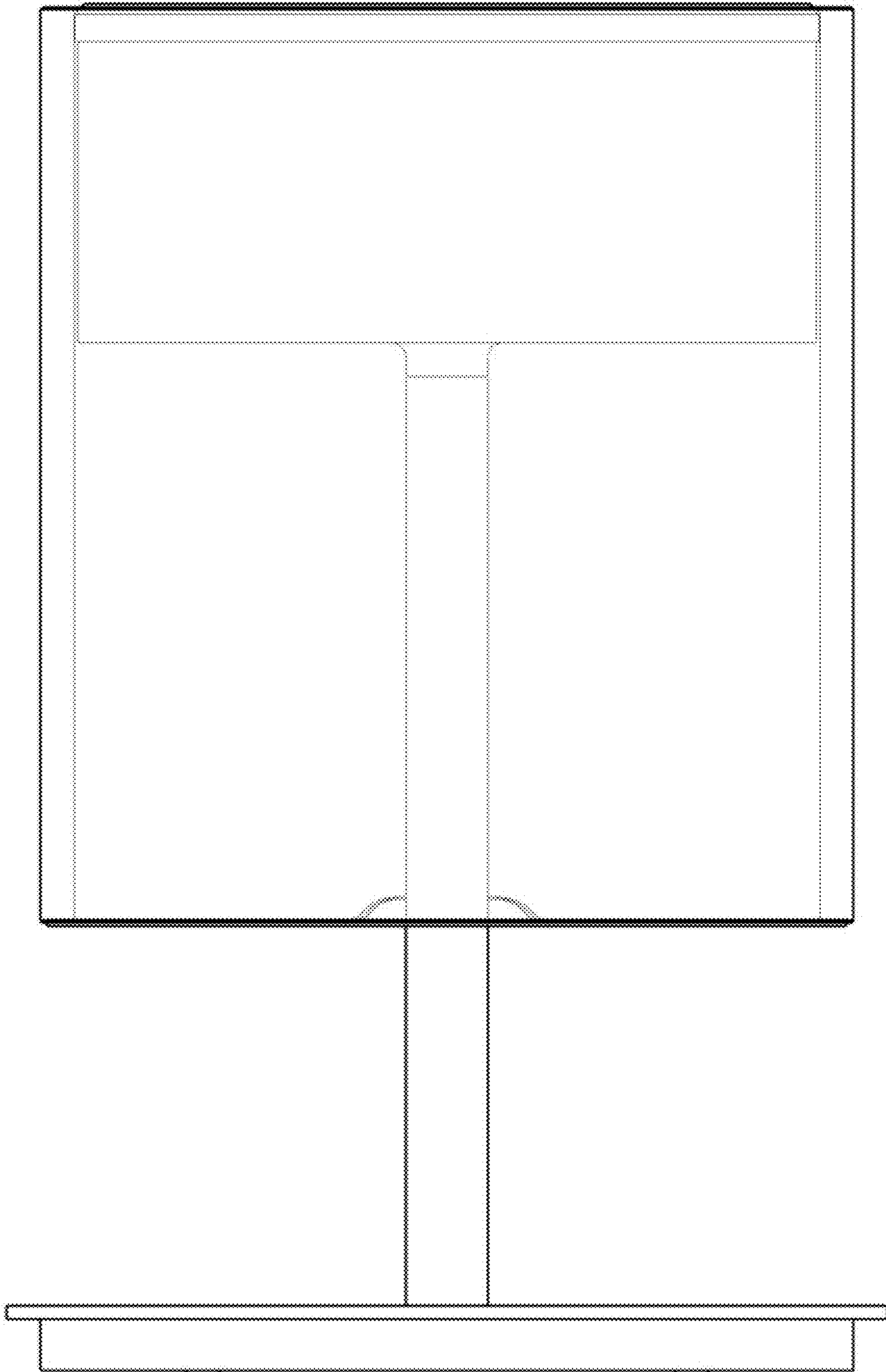
TWS Speaker Bluetooth Twin Mini Stereo speakers, announced 2016 [online], [retrieved Jul. 16, 2019]. Available from Internet, URL: <<http://www.shiningsmart.com/tws-speaker-bluetooth-twin-mini-stereo-speakers-waterproof-transparent.html>> (Year: 2019).\*  
LG PH1 Portable Bluetooth Wireless 360° Speaker, announced Jan. 15, 2018 [online], [retrieved Jul. 16, 2019]. Available from Internet, URL: <<https://www.groupon.com/deals/gg-cm-new-lg-ph1-portable-bluetooth-speakers-led-mood-light-360-sound>> (Year: 2018).\*

\* cited by examiner

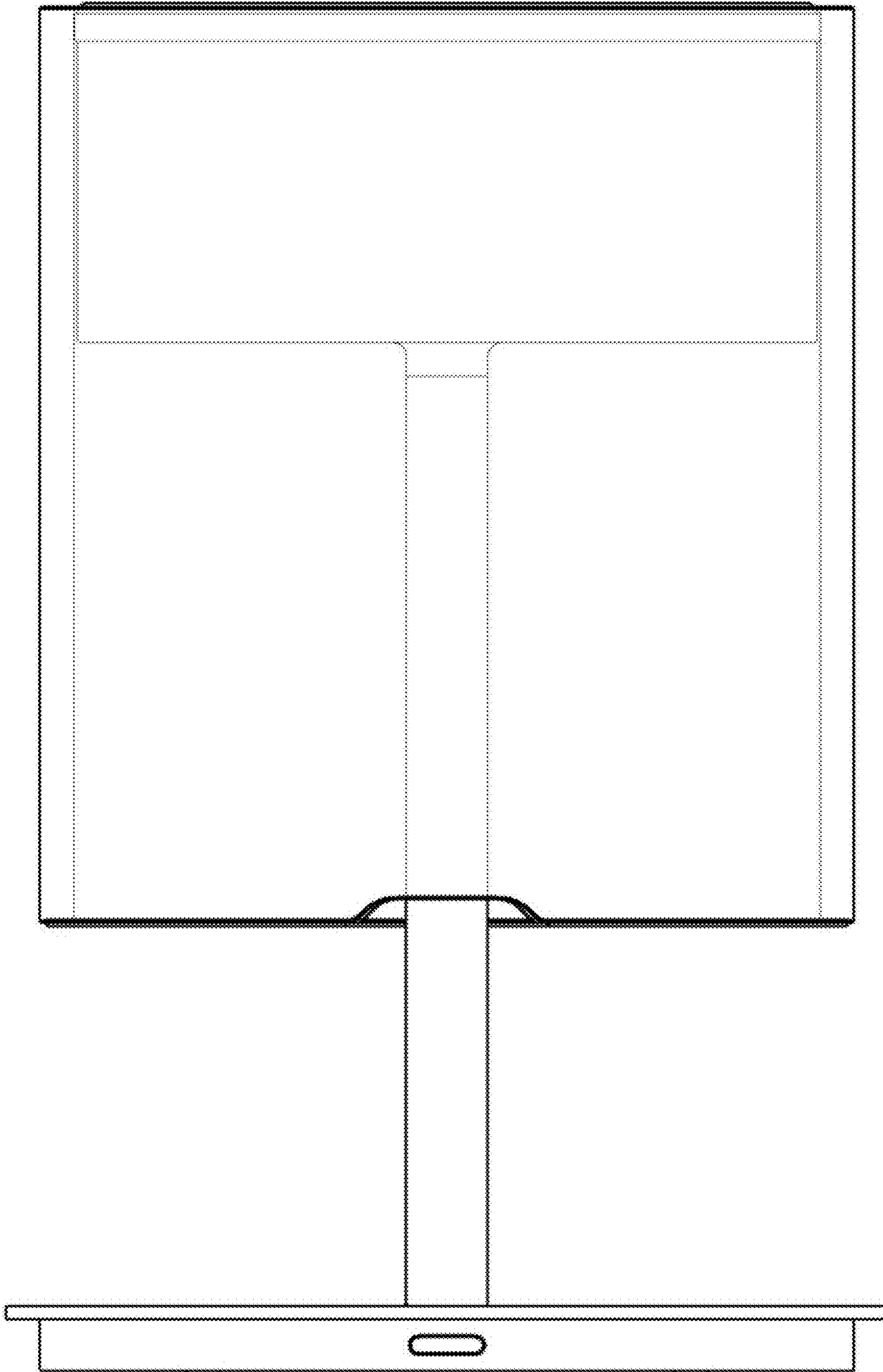
1.1



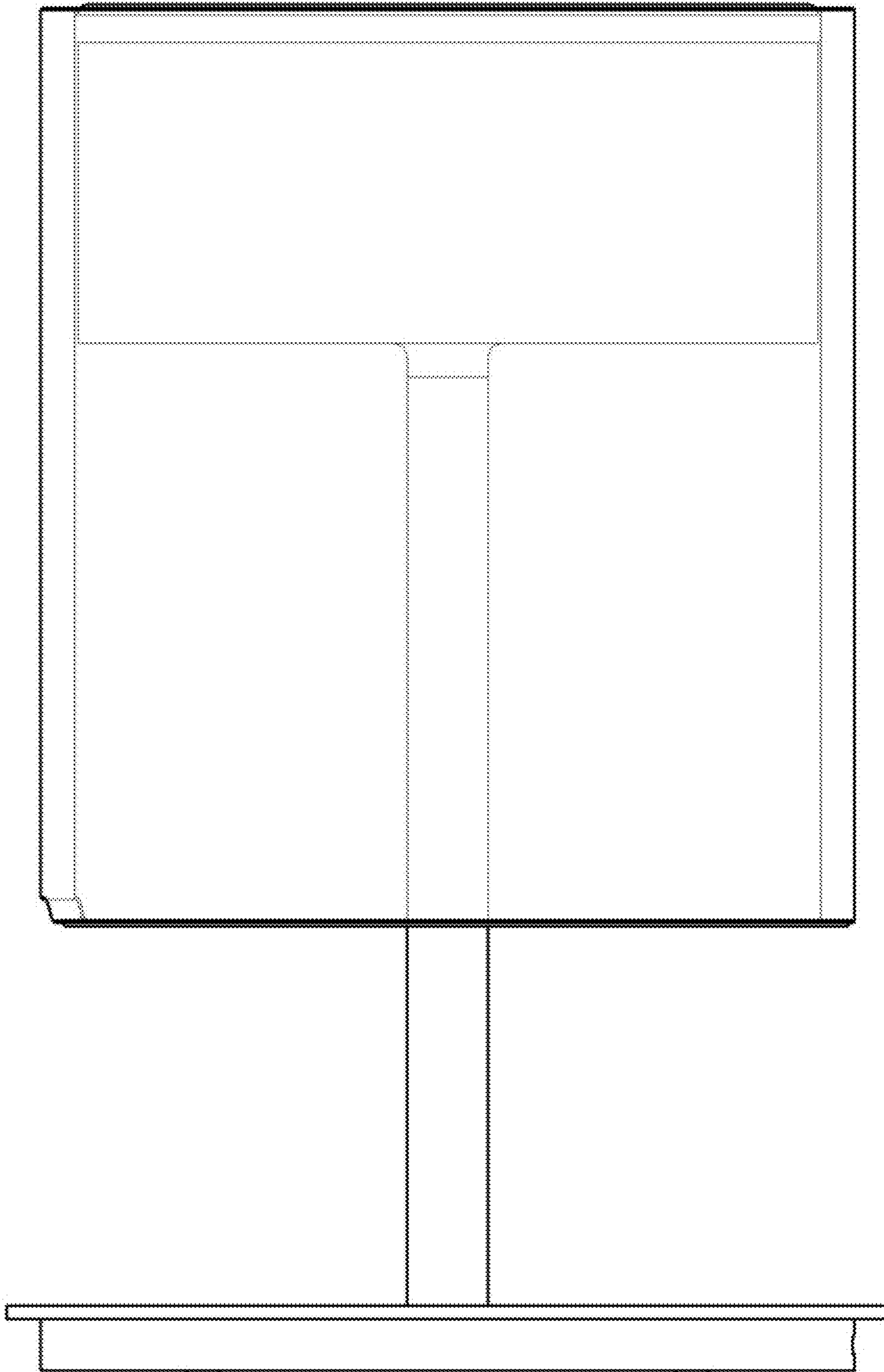
1.2



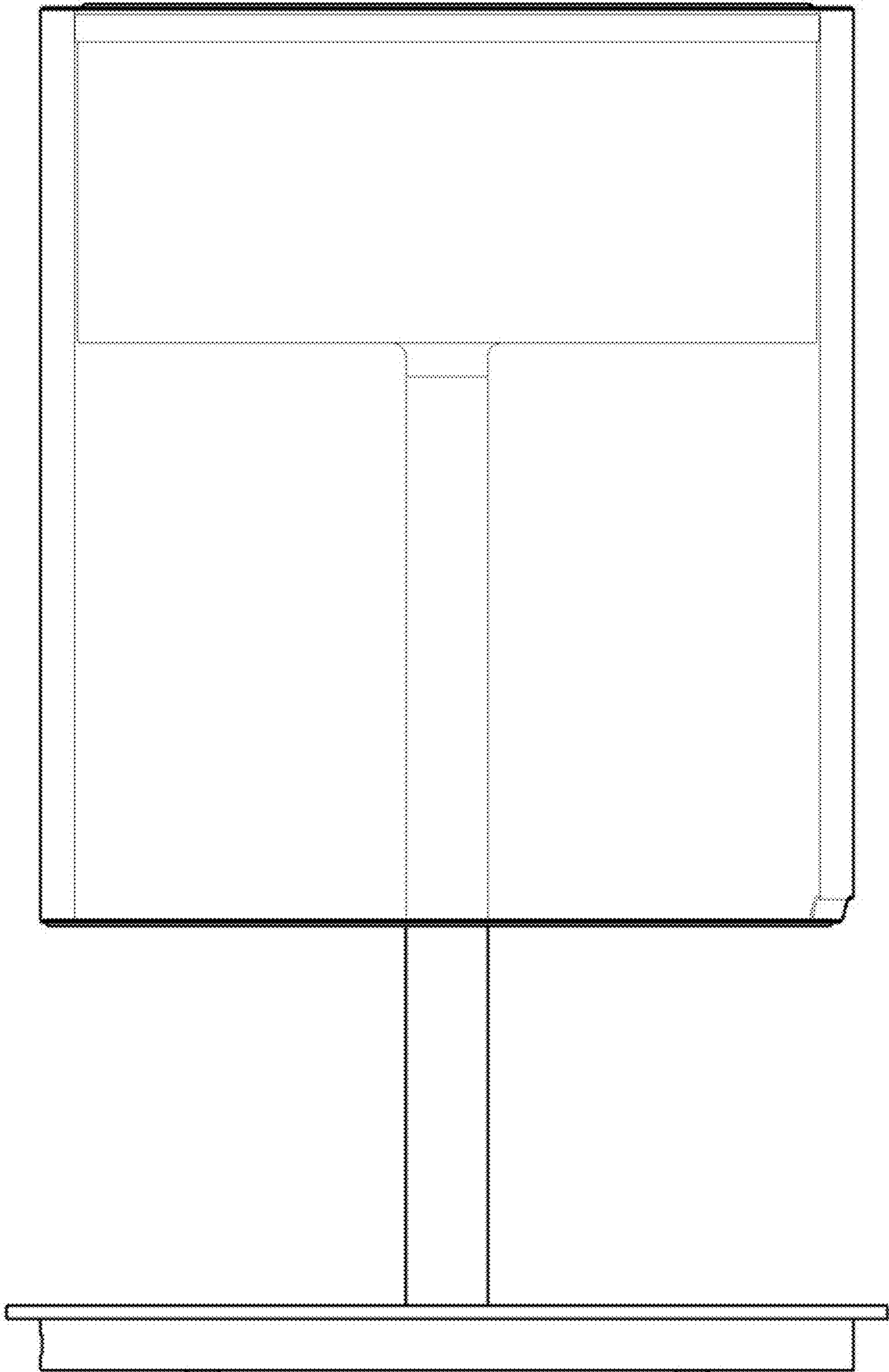
1.3



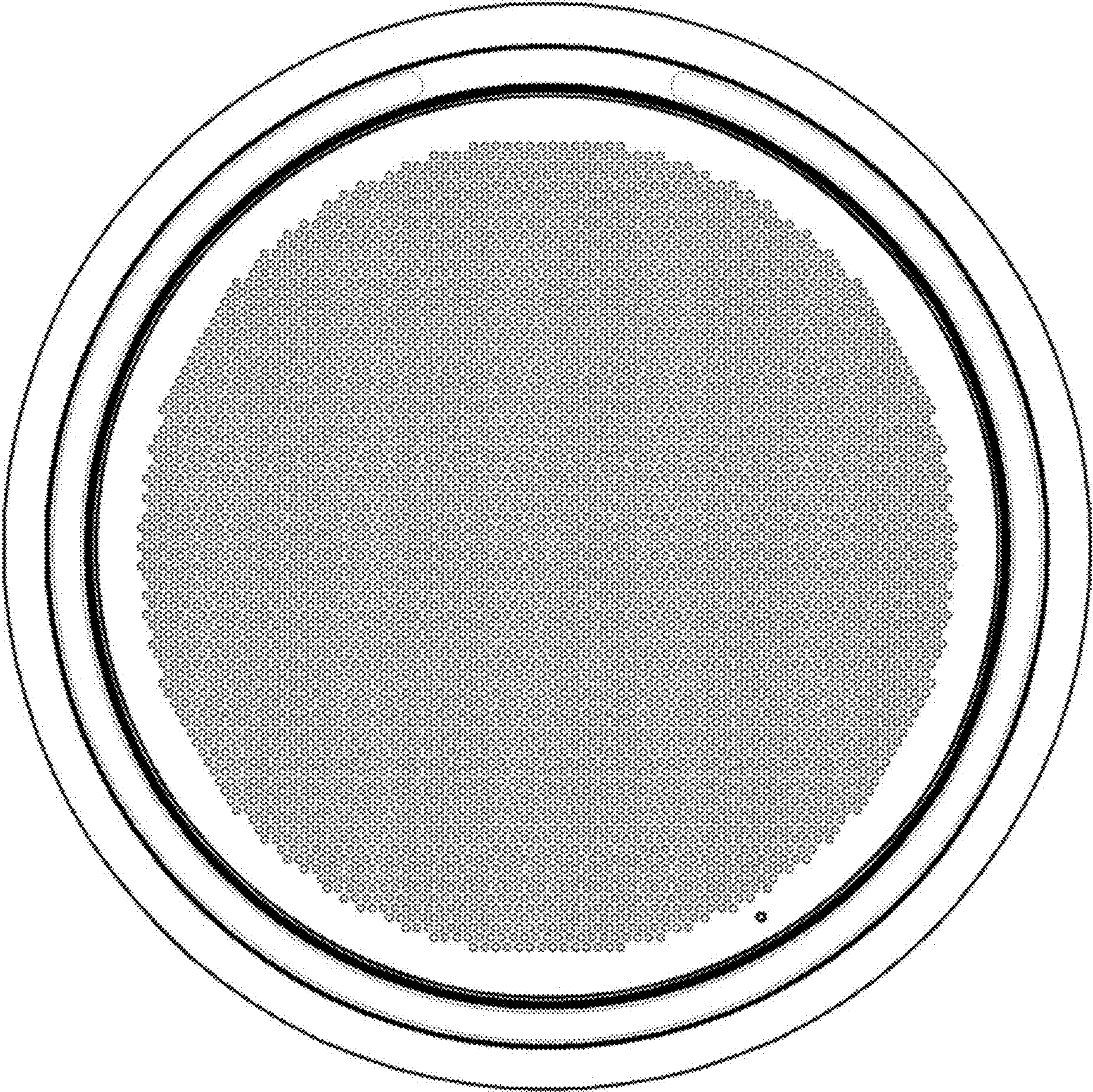
1.4



1.5



1.6





1.7

