

US00D870697S

(12) **United States Design Patent**  
**Guo et al.**

(10) **Patent No.:** **US D870,697 S**

(45) **Date of Patent:** **\*\* Dec. 24, 2019**

(54) **BLUETOOTH HEADSET**

(71) Applicant: **Wei Zhang, Qu (CN)**

(72) Inventors: **Shaoan Guo, Changchun (CN); Wei Zhang, Sichuan Province (CN)**

(\*\*) Term: **15 Years**

(21) Appl. No.: **29/612,408**

(22) Filed: **Aug. 1, 2017**

(51) **LOC (12) Cl.** ..... **14-01**

(52) **U.S. Cl.**

USPC ..... **D14/206**; D14/223; D14/205

(58) **Field of Classification Search**

USPC ..... D14/204, 205, 206, 223, 224, 225, 249, D14/372, 433, 138 R, 188, 192, 172, D14/203.1, 191, 496; D29/112; D28/41; D2/875; D24/174, 173, 106; D8/330, D8/341; D13/118, 108, 119

CPC ..... H04R 25/02; H04R 25/00; H04R 1/10; H04R 1/1016; H04R 1/105; H04R 1/1083; H04R 1/02; H04R 1/1041; H04R 1/28; H04R 5/033; H04R 2420/07; H04R 2430/00; H04R 2430/01

See application file for complete search history.

(56) **References Cited**

**U.S. PATENT DOCUMENTS**

D180,694 S	*	7/1957	Norris	.....	D14/192
D431,030 S	*	9/2000	Yoon	.....	D14/142
D469,081 S	*	1/2003	Perszyk	.....	D14/205
D490,399 S	*	5/2004	Kamo	.....	D14/206
D511,156 S	*	11/2005	Eroma	.....	D14/205
D518,473 S	*	4/2006	Gwee	.....	D14/205
D521,492 S	*	5/2006	Ham	.....	D14/205
D529,020 S	*	9/2006	Nazar	.....	D14/205
D535,975 S	*	1/2007	Brennwald	.....	D14/206
D539,266 S	*	3/2007	Bentley	.....	D14/205
D541,787 S	*	5/2007	Ma	.....	D14/205

D603,372 S	*	11/2009	Bentley	.....	D14/206
D611,933 S	*	3/2010	Burnham	.....	D14/223
D625,297 S	*	10/2010	Tseng	.....	D14/223
D651,197 S	*	12/2011	Birger	.....	D14/223
D671,915 S	*	12/2012	Birger	.....	D14/206
D681,002 S	*	4/2013	Ham	.....	D14/205
D681,003 S	*	4/2013	Ham	.....	D14/206
RE44,672 E	*	12/2013	Yang	.....	D14/206
RE45,056 E	*	8/2014	Yang	.....	D14/206
D735,340 S	*	7/2015	Meinertz	.....	D24/174
D746,260 S	*	12/2015	Goransson	.....	D14/206
D784,291 S	*	4/2017	Paterson	.....	D14/206
D793,360 S	*	8/2017	Birger	.....	D14/206
D797,076 S	*	9/2017	Zhang	.....	D14/206

(Continued)

**FOREIGN PATENT DOCUMENTS**

CN	302916942	*	8/2014
CN	303492453	*	12/2015

(Continued)

*Primary Examiner* — T Chase Nelson

*Assistant Examiner* — Mary Claire Ramirez

(74) *Attorney, Agent, or Firm* — Erson IP (Nelson IP)

(57) **CLAIM**

The ornamental design for a bluetooth headset, as shown and described.

**DESCRIPTION**

FIG. 1 is a front view of a bluetooth headset showing the new design;

FIG. 2 is a back view thereof;

FIG. 3 is a left side view thereof;

FIG. 4 is a right side view thereof;

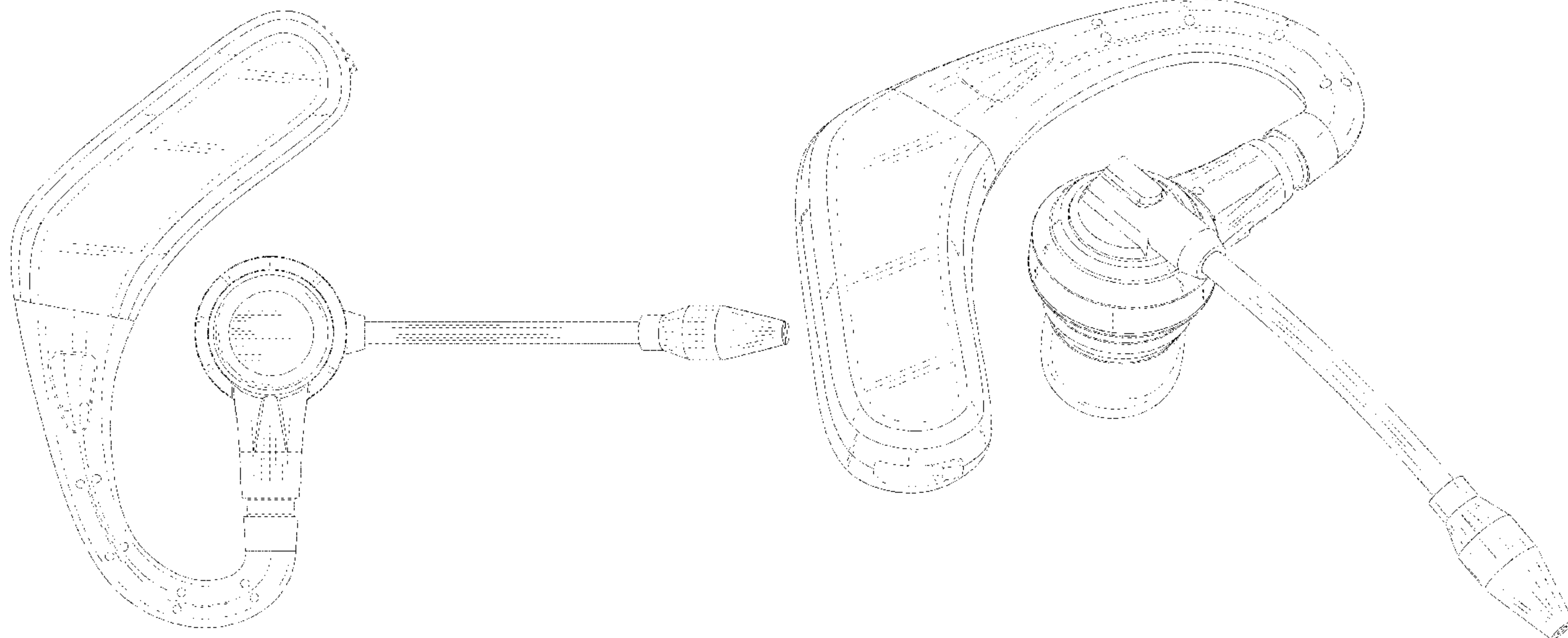
FIG. 5 is a top plan view thereof;

FIG. 6 is a bottom plan view thereof; and,

FIG. 7 is a top, front perspective view thereof.

The broken lines in the drawings depict parts of the bluetooth headset that form no part of the claimed design.

**1 Claim, 7 Drawing Sheets**



(56)

**References Cited**

U.S. PATENT DOCUMENTS

D800,692 S \* 10/2017 Tan ..... D14/206  
D801,536 S \* 10/2017 Meinertz ..... D24/174  
D804,035 S \* 11/2017 Gabathuler ..... D24/174  
D806,251 S \* 12/2017 Lockenwitz ..... D24/174  
D812,040 S \* 3/2018 Yan ..... D14/206  
D825,764 S \* 8/2018 Gajstut ..... D24/174  
D830,337 S \* 10/2018 Yan ..... D14/206  
2011/0091059 A1\* 4/2011 Sacha ..... H04R 25/50  
381/321  
2013/0322646 A1\* 12/2013 Davie ..... H04R 1/1041  
381/74  
2015/0078599 A1\* 3/2015 Sundberg ..... H04R 25/554  
381/315

FOREIGN PATENT DOCUMENTS

CN 303738671 \* 7/2016  
CN 303841028 \* 9/2016  
CN 303948908 \* 3/2017  
CN 304088651 \* 3/2017  
CN 304265624 \* 10/2017  
CN 304314028 \* 10/2017  
CN 304536094 \* 3/2018  
CN 304731761 \* 7/2018

\* cited by examiner

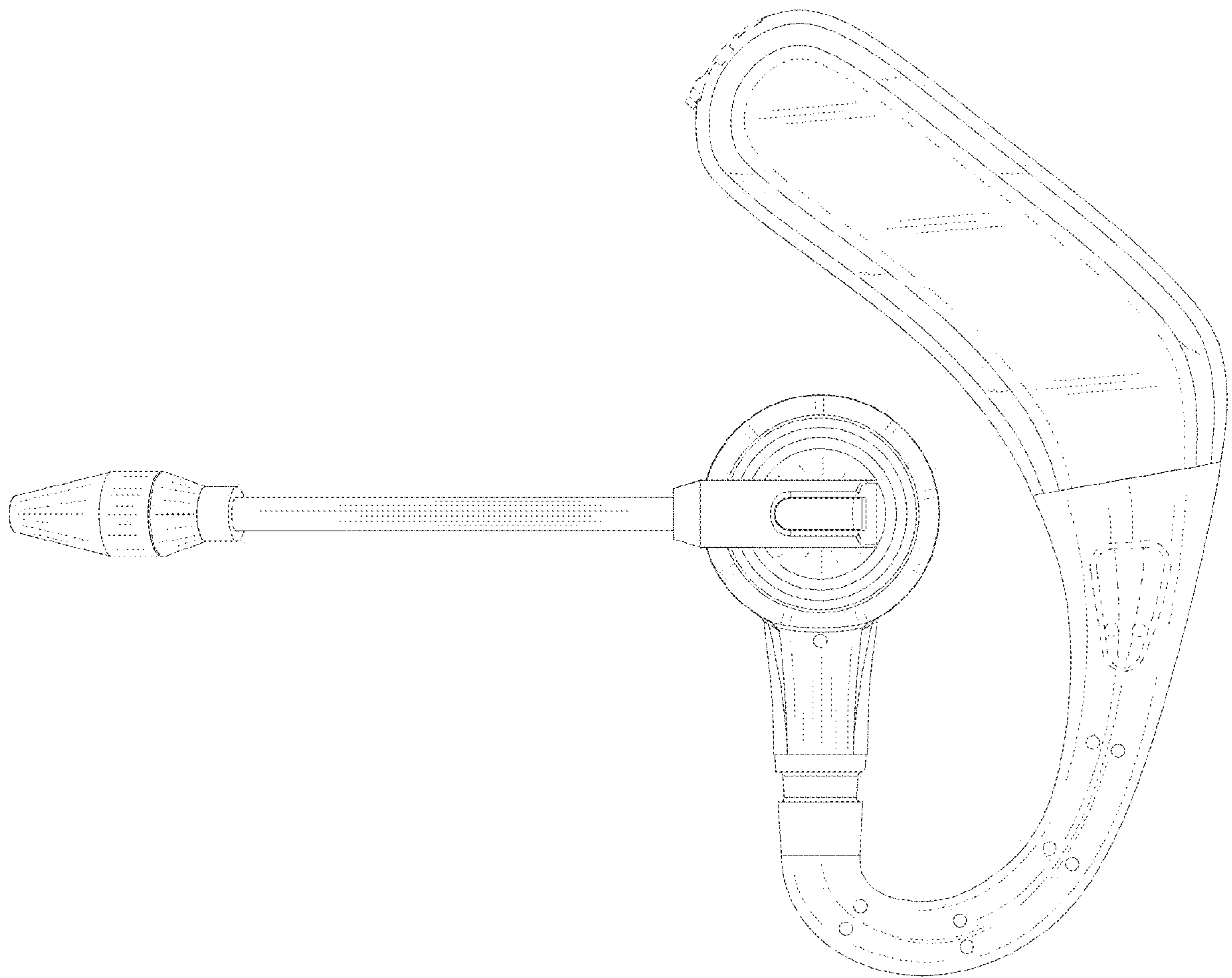


Fig. 1

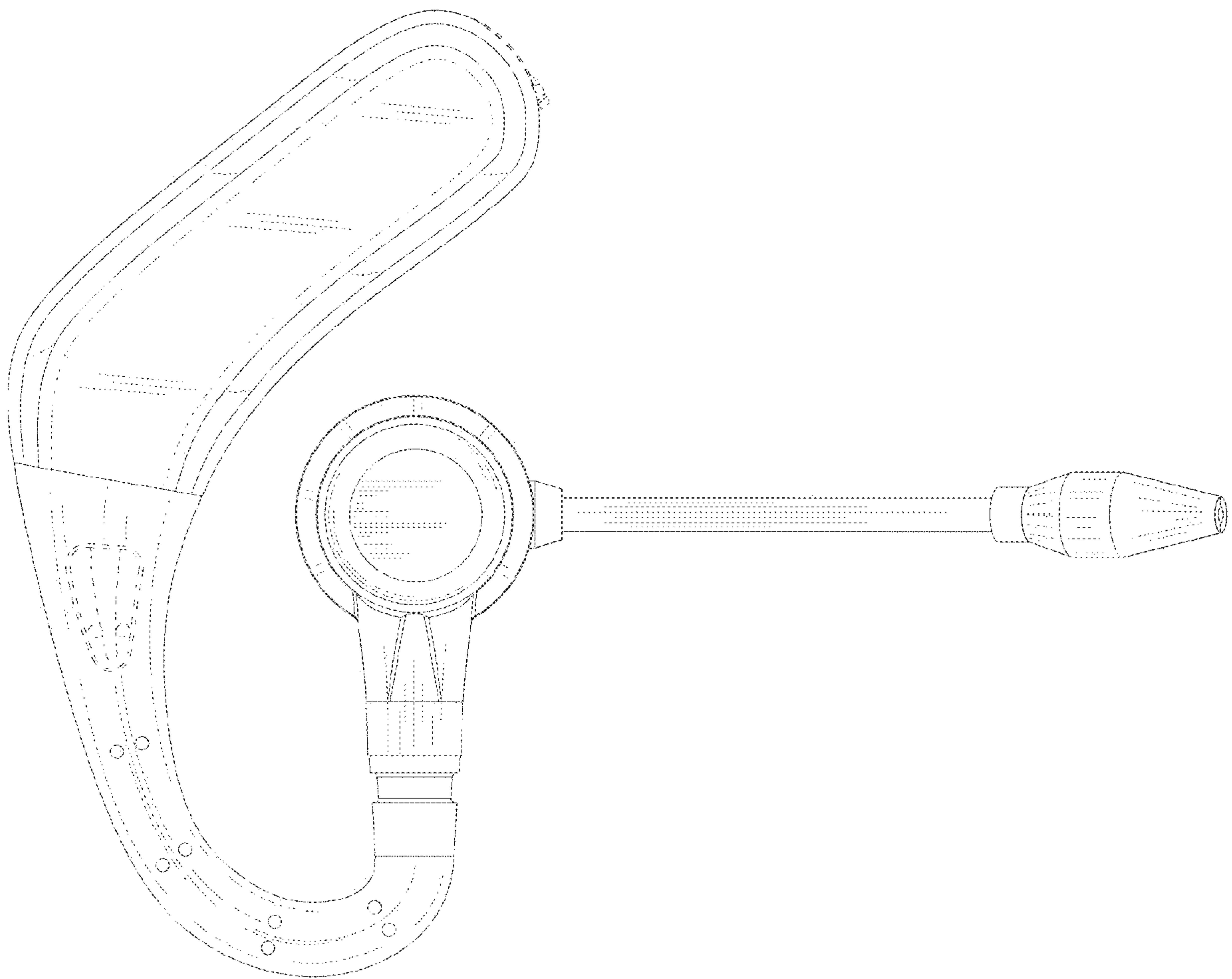


Fig. 2

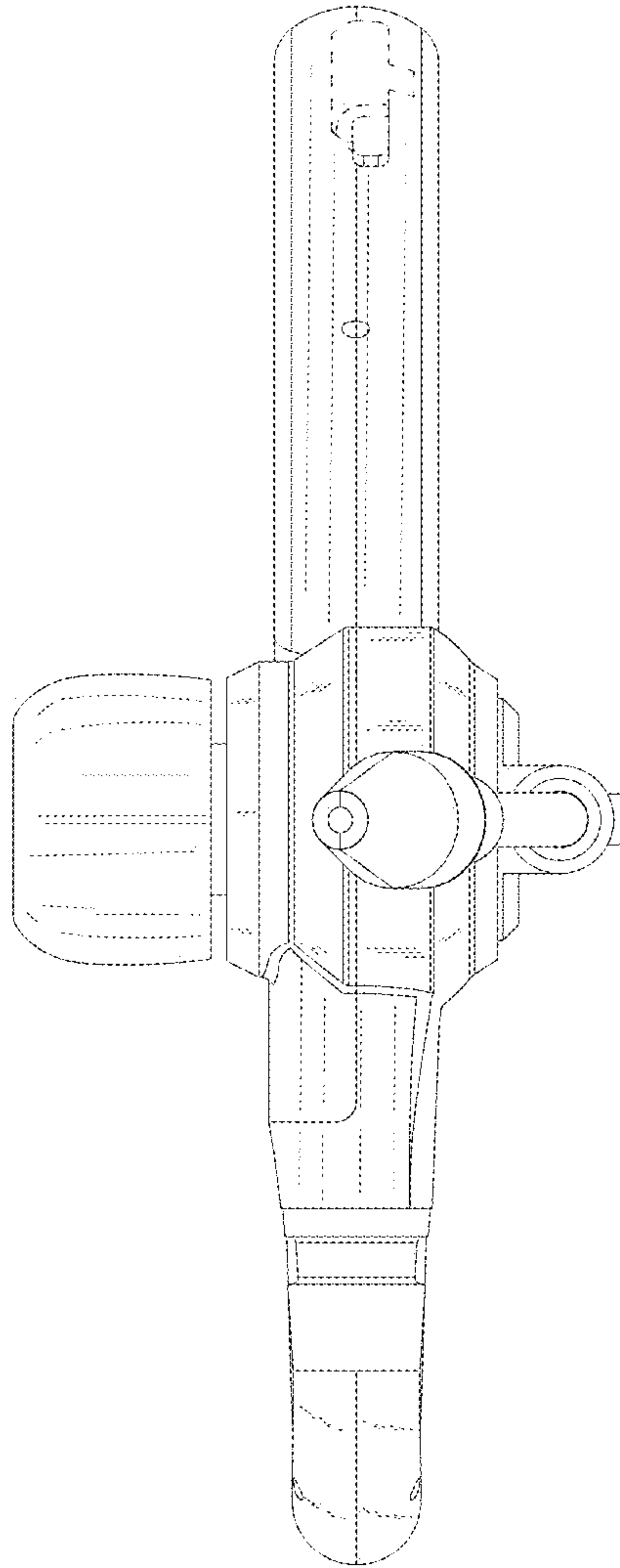


Fig. 3

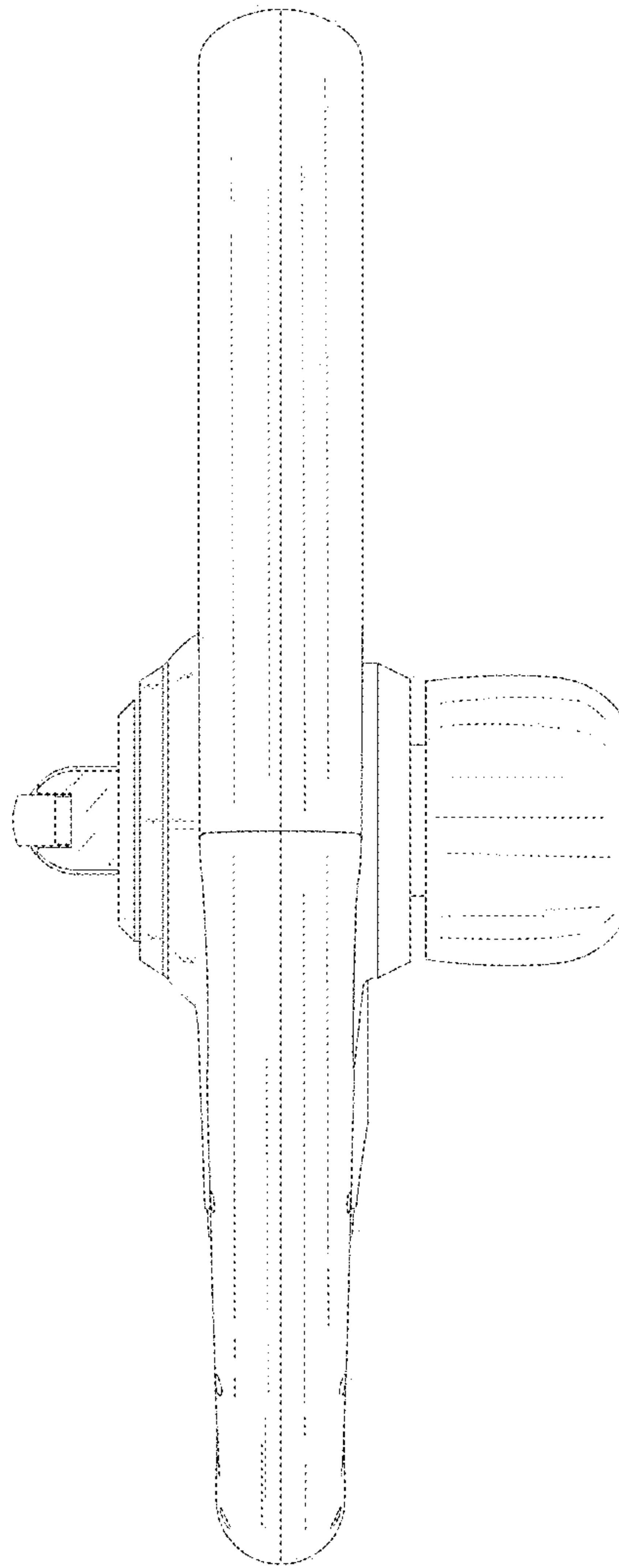


Fig. 4



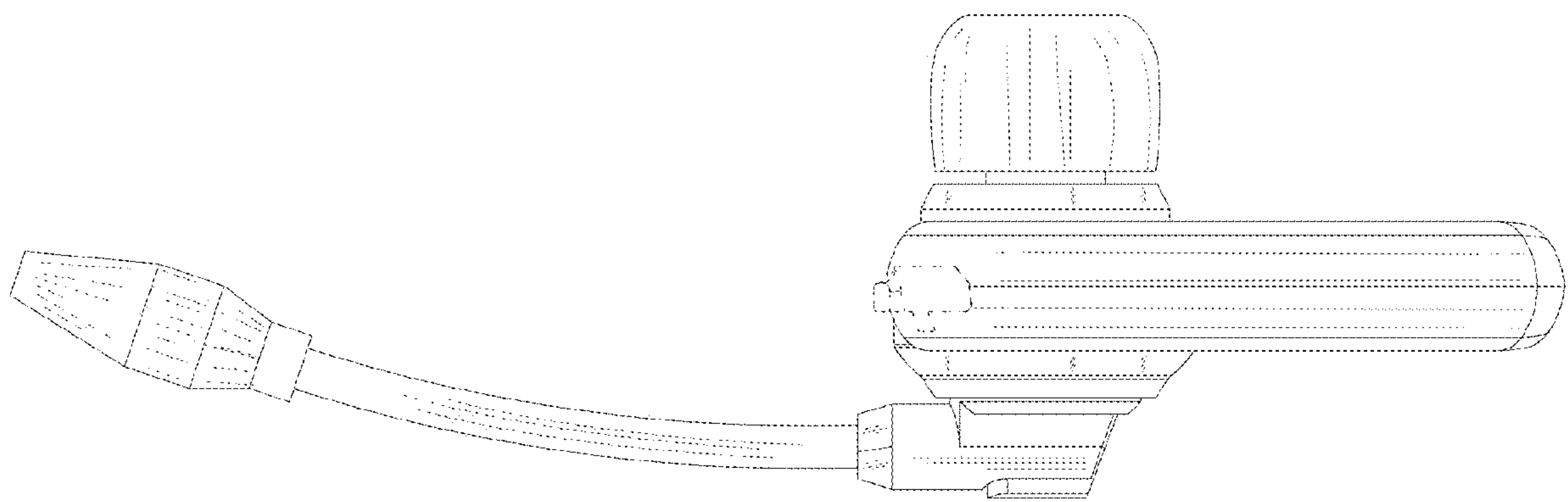


Fig. 5

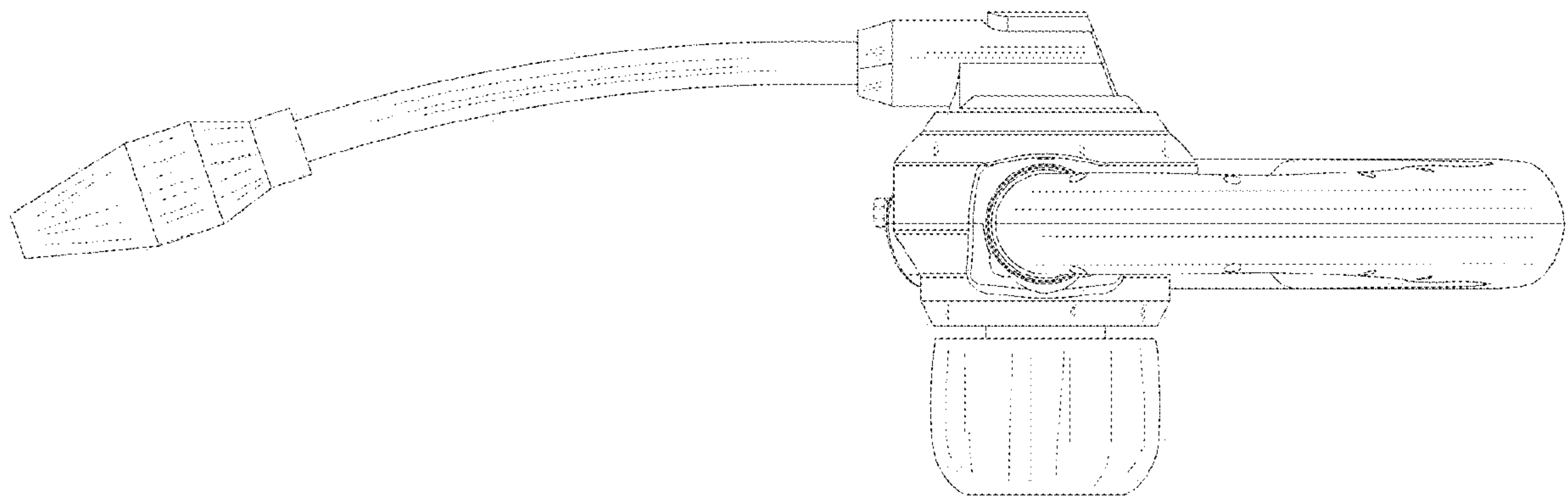


Fig. 6



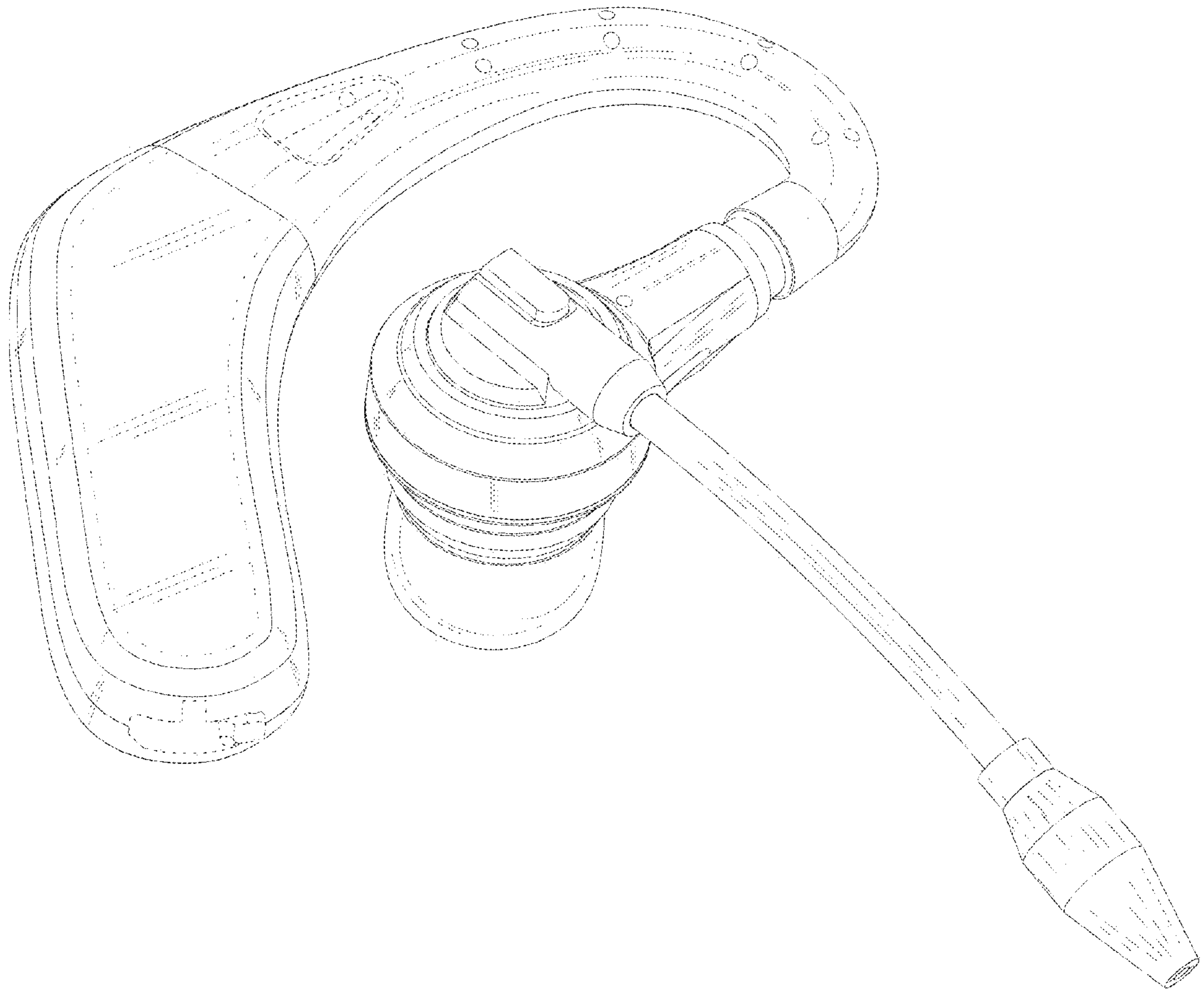


Fig. 7