



US00D870693S

(12) **United States Design Patent** (10) **Patent No.:** **US D870,693 S**
Yan (45) **Date of Patent:** **** Dec. 24, 2019**

(54) **MUSIC ALARM CLOCK**

(71) Applicant: **Jianhui Yan**, Jiangxi (CN)

(72) Inventor: **Jianhui Yan**, Jiangxi (CN)

(**) Term: **15 Years**

(21) Appl. No.: **29/697,154**

(22) Filed: **Jul. 4, 2019**

(51) **LOC (12) Cl.** **14-01**

(52) **U.S. Cl.**
USPC **D14/171**

(58) **Field of Classification Search**
USPC D14/170-172, 203.1; D10/2, 15
CPC . H04B 1/06; H04B 1/08; H04B 1/086; G04G
9/00
See application file for complete search history.

(56) **References Cited**

U.S. PATENT DOCUMENTS

- D187,557 S * 3/1960 Reinecke D14/170
- 3,743,370 A * 7/1973 Lindsay H04B 1/08
312/7.1
- 4,001,830 A * 1/1977 Ishimaru H01Q 1/243
343/702
- D250,175 S * 11/1978 Sklaroff D10/15
- D252,498 S * 7/1979 Terada D10/15
- D274,191 S * 6/1984 Aoijs D10/15
- D277,556 S * 2/1985 Pappas D10/15
- D297,712 S * 9/1988 Rittenhouse D10/15
- D406,535 S * 3/1999 Hargrove, III D10/15
- D408,297 S * 4/1999 Hargrove, III D10/1
- D437,238 S * 2/2001 Sell D10/15
- D495,004 S * 8/2004 Yuen D10/2
- D556,185 S * 11/2007 Motoishi D10/2
- D587,239 S * 2/2009 Raisanen D14/188
- D600,569 S * 9/2009 Sadler D10/15
- D618,252 S * 6/2010 Bradford D14/203.1
- D694,127 S * 11/2013 Hsu D10/15
- D700,528 S * 3/2014 Joseph D10/15
- D736,186 S * 8/2015 Kauppila D14/225

- D773,941 S * 12/2016 Holzer D10/22
- D779,341 S * 2/2017 Poandl D10/2
- D779,455 S * 2/2017 Balcerzak D14/172
- D795,216 S * 8/2017 Poandl D14/170
- D836,005 S * 12/2018 Lu D10/2
- D842,129 S * 3/2019 Yang D10/15

OTHER PUBLICATIONS

Anjank Small Alarm Clock Radio | posted at amazon.com Oct. 2018 (with customer photo-review Dec. 2018) [online]. © 1996-2019, Amazon.com, Inc [retrieved Sep. 3, 2019] from Internet: <https://www.amazon.com/dp/B07JPM1TX6/ref=psdc_2563847011_t1_B07VK5HMDX> (Year: 2018).*

AC003 Clock-Set the Alarm | posted at youtube.com by Johnny Tung Jul. 30, 2018 [online]. [retrieved Sep. 3, 2019] from Internet: <https://www.youtube.com/watch?v=IWqIJ3JbAr4> (Year: 2018).*

* cited by examiner

Primary Examiner — Sandra S Snapp
Assistant Examiner — Katherine Glennon
(74) *Attorney, Agent, or Firm* — HYIP

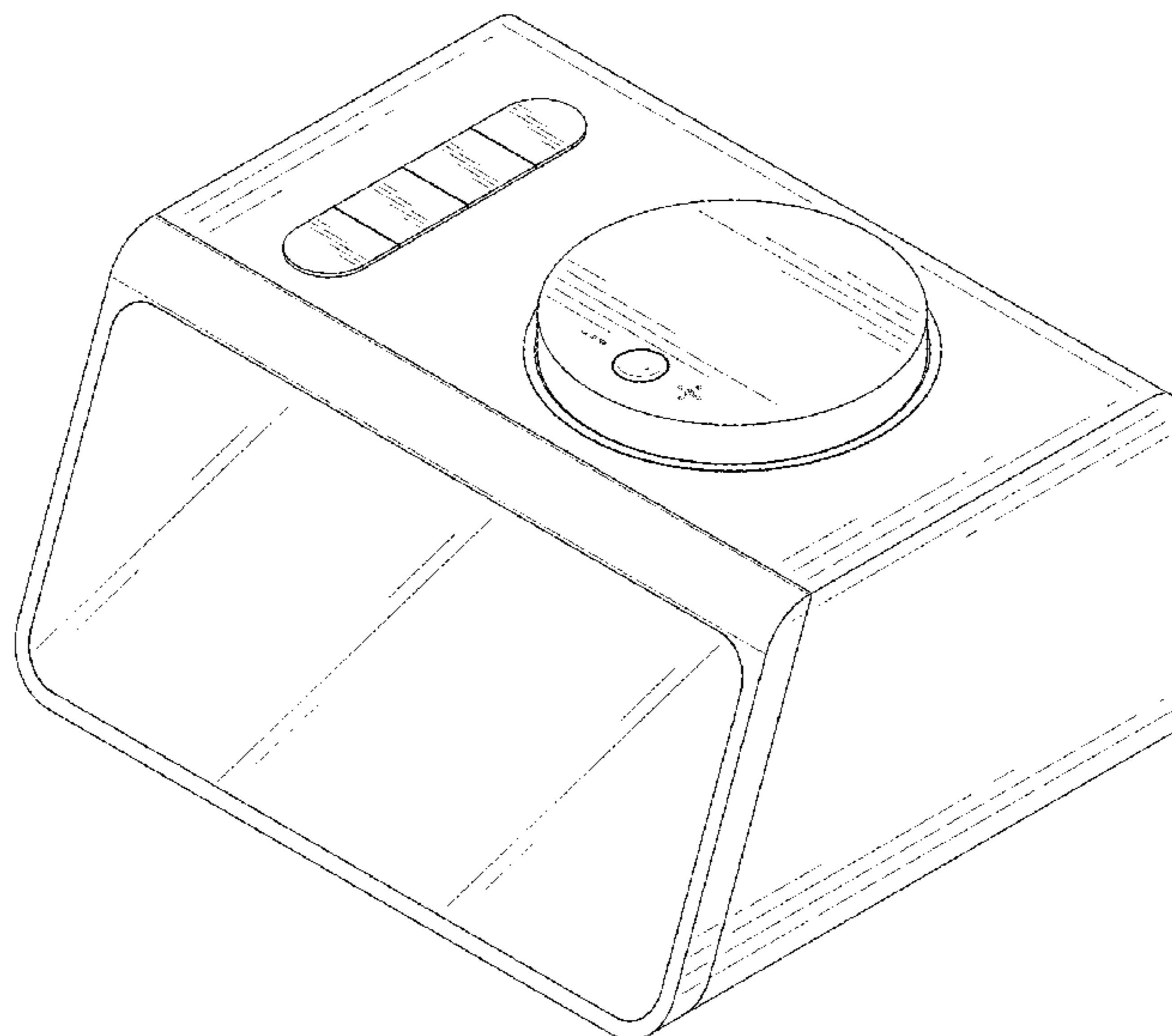
(57) **CLAIM**

The ornamental design for a music alarm clock, as shown and described.

DESCRIPTION

FIG. 1 is a front perspective view of a music alarm clock showing my new design;
FIG. 2 is a back perspective view thereof;
FIG. 3 is a front view thereof;
FIG. 4 is a back view thereof;
FIG. 5 is a left side view thereof;
FIG. 6 is a right side view thereof;
FIG. 7 is a top view thereof; and,
FIG. 8 is a bottom view thereof.
The broken lines in the figures illustrate portions of the music alarm clock that form no part of the claimed design.

1 Claim, 8 Drawing Sheets



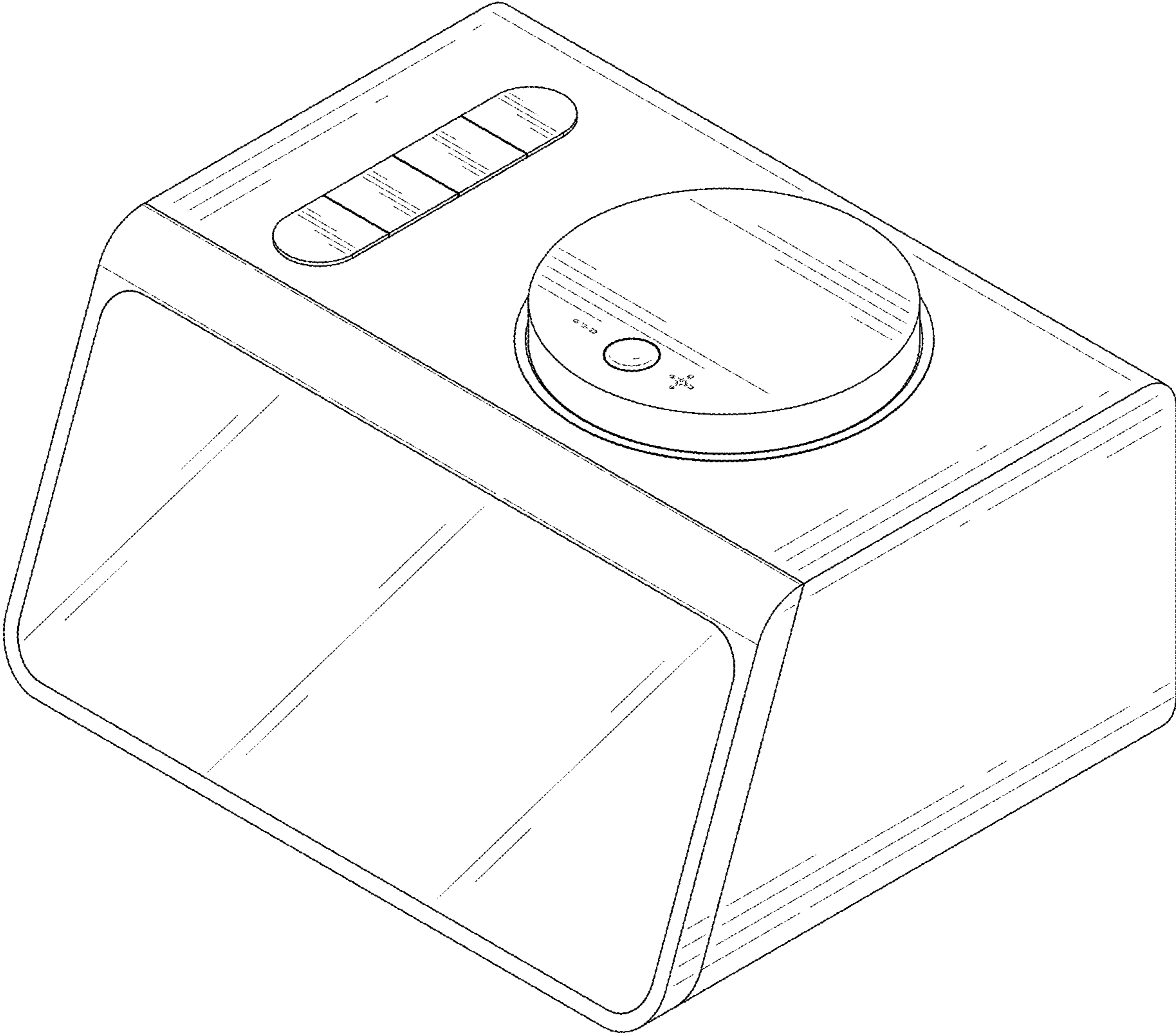


FIG. 1

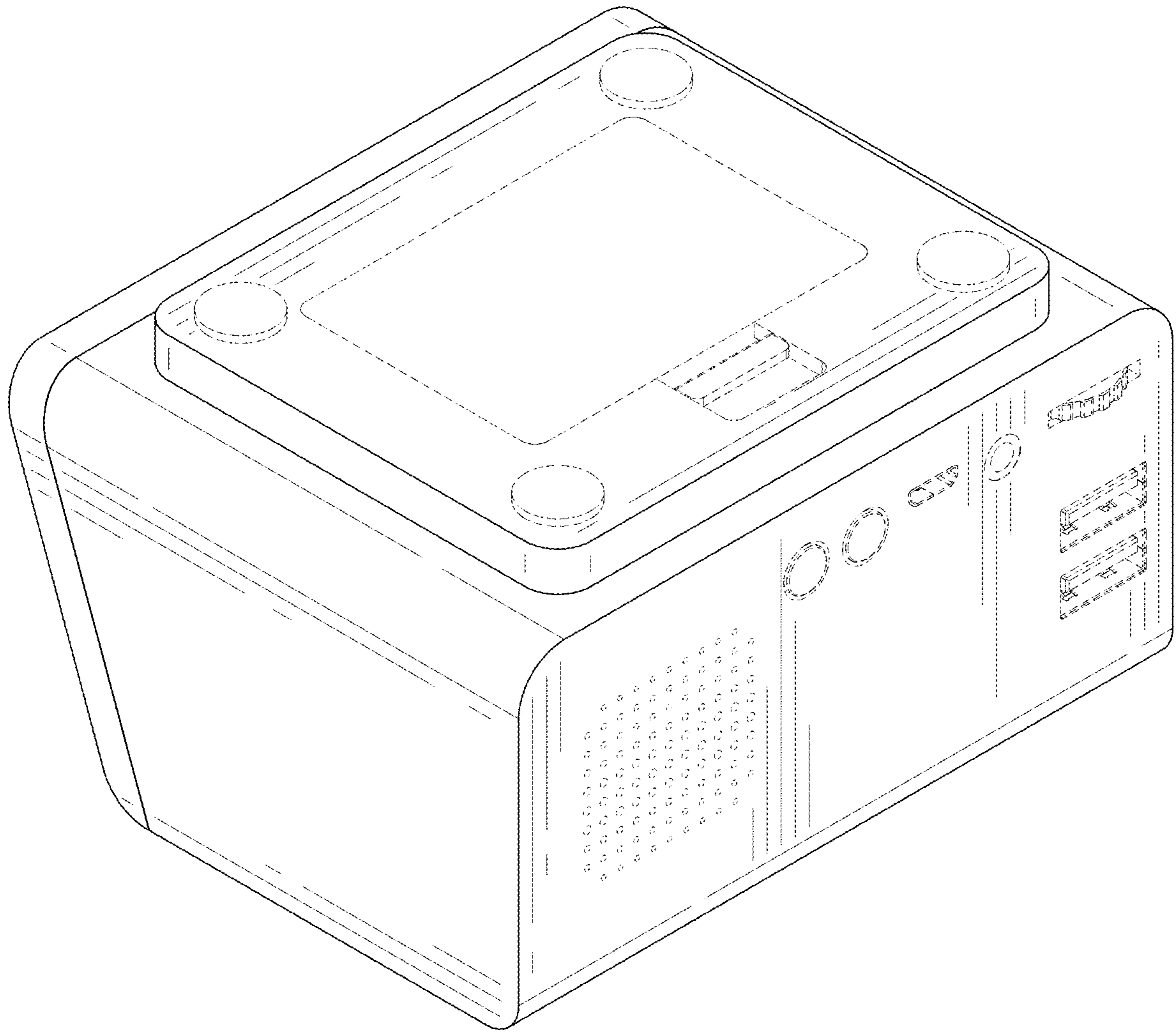


FIG. 2

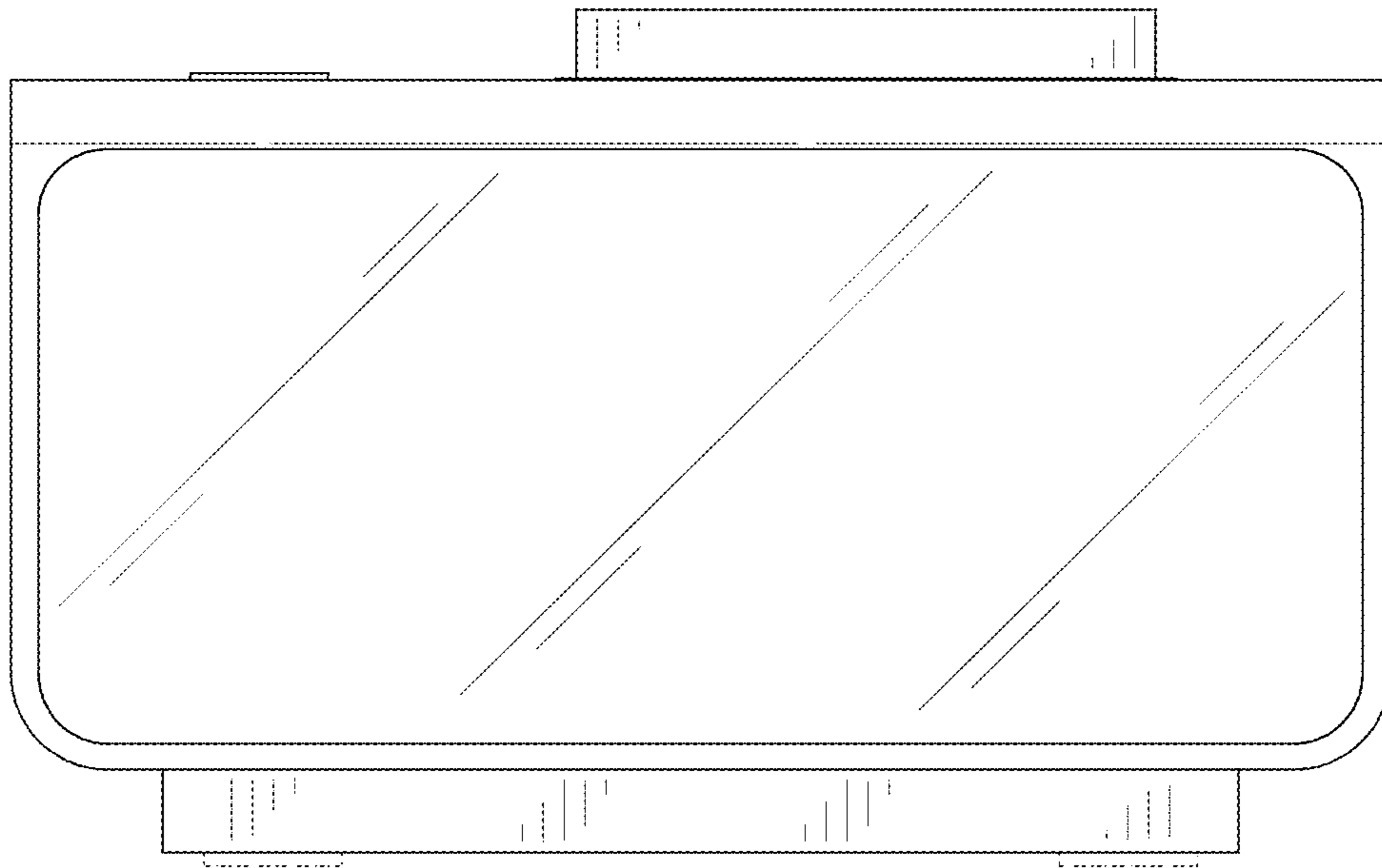


FIG. 3

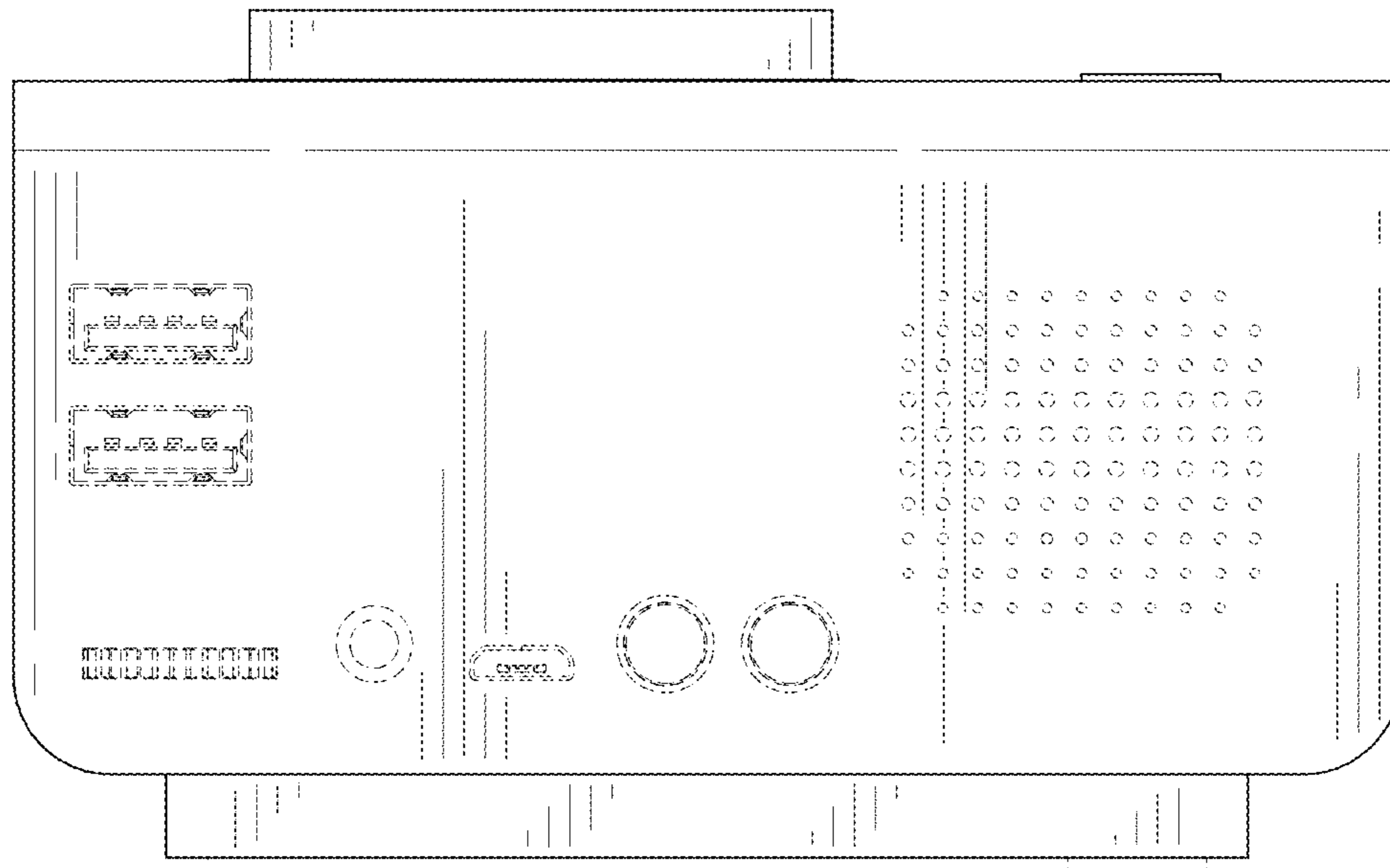


FIG. 4

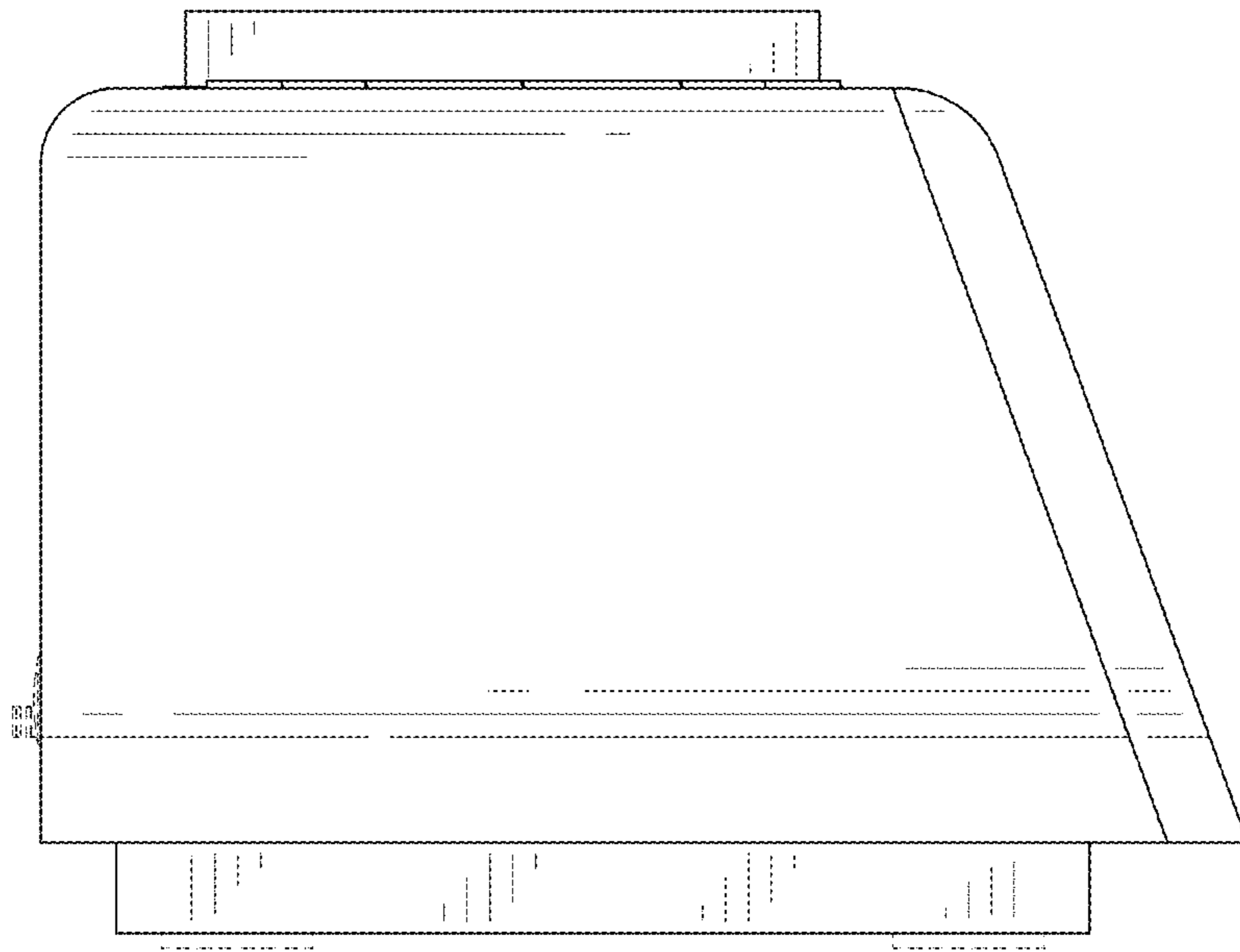


FIG. 5

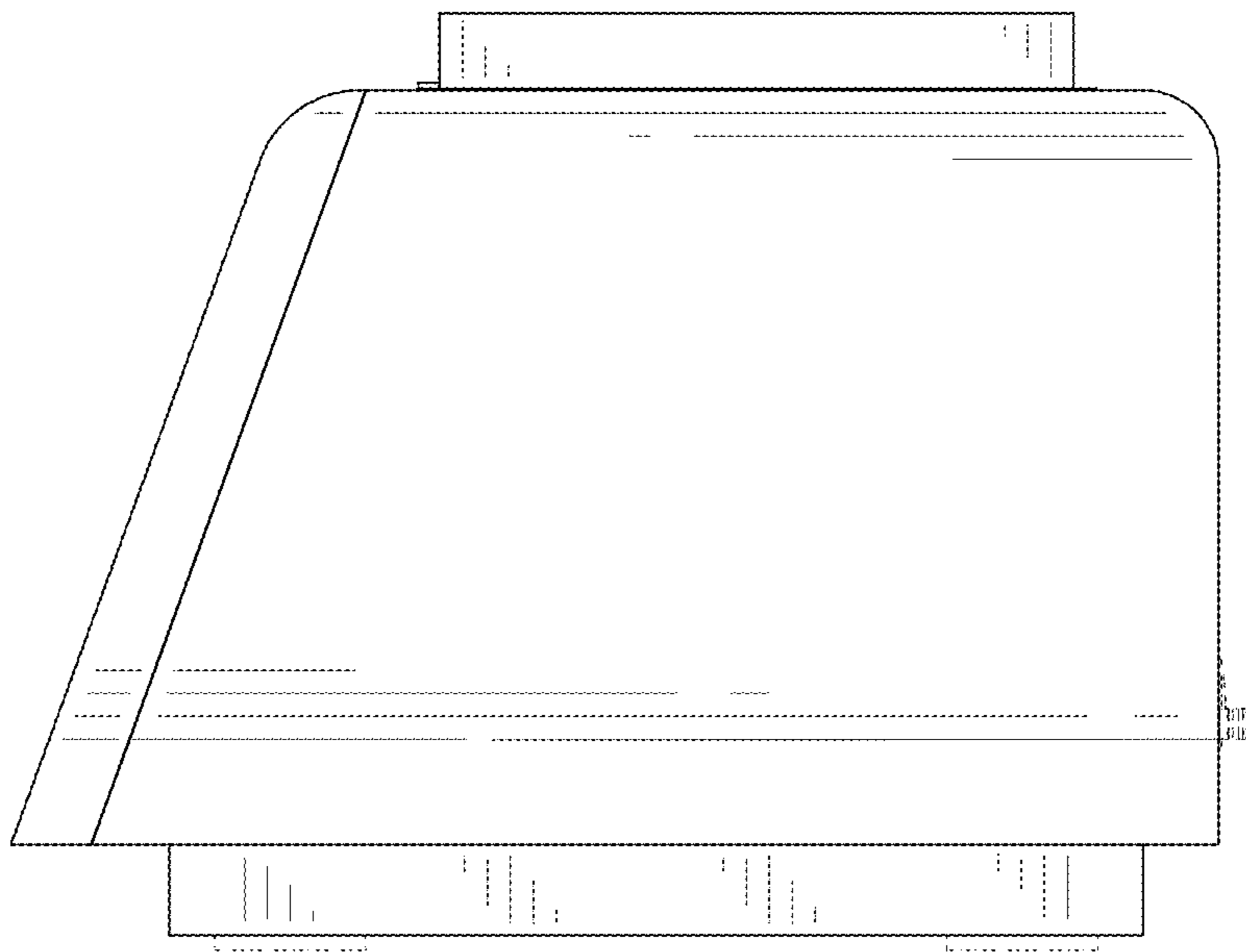


FIG. 6

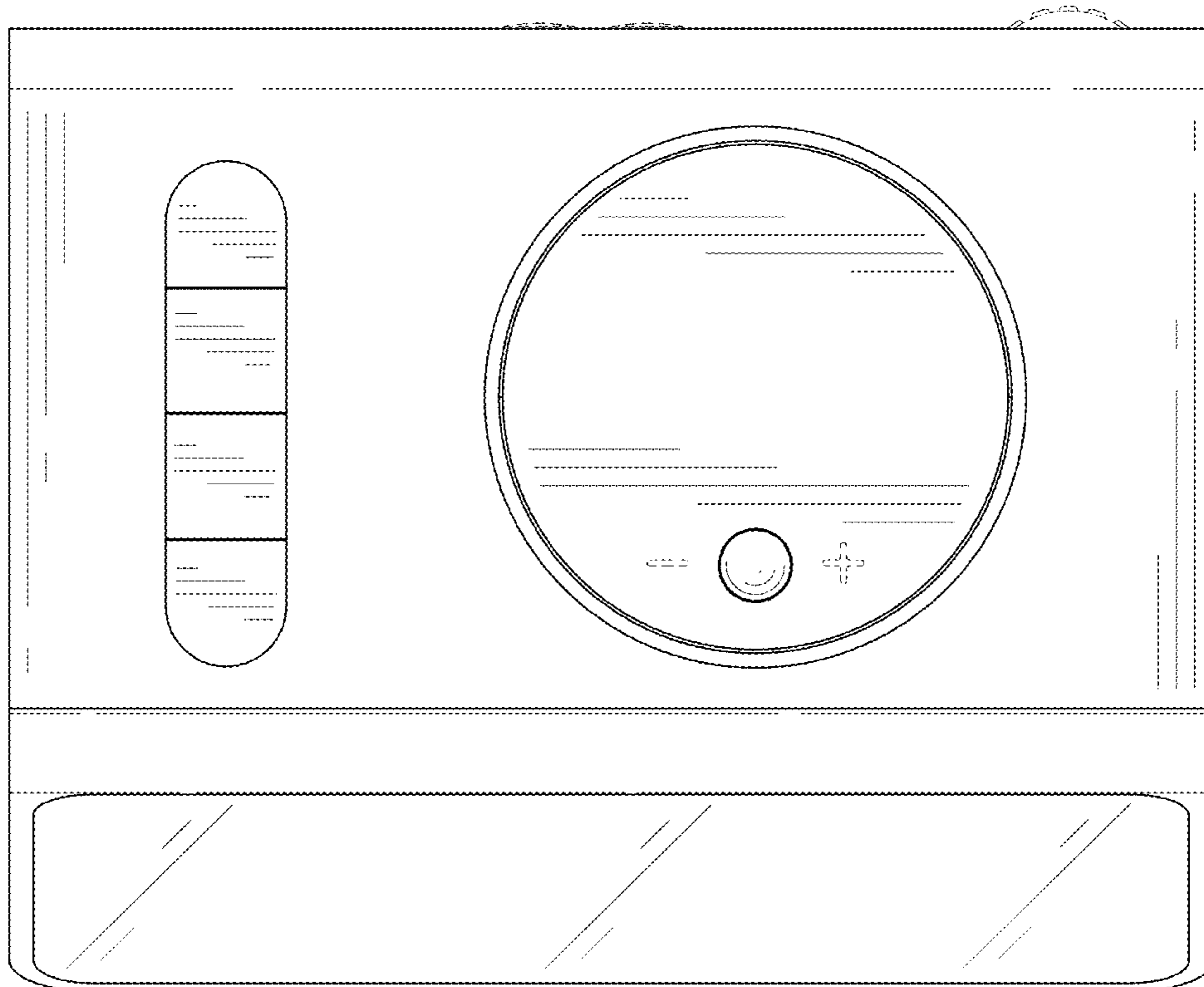


FIG. 7

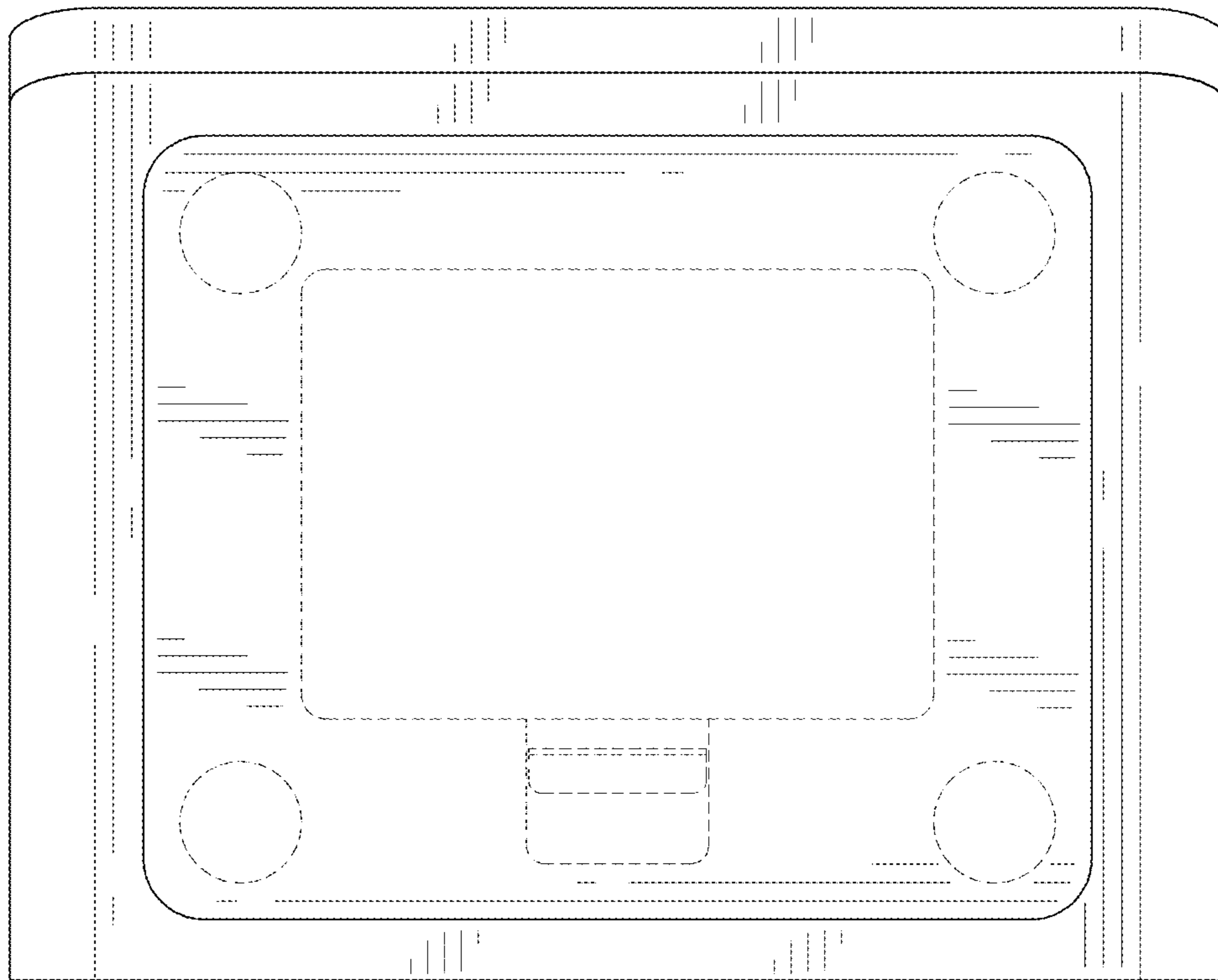


FIG. 8