



US00D870692S

(12) **United States Design Patent** (10) **Patent No.:** **US D870,692 S**
Yang et al. (45) **Date of Patent:** **** Dec. 24, 2019**

(54) **AUDIO PLAYER**

FOREIGN PATENT DOCUMENTS

(71) Applicant: **LG ELECTRONICS INC.**, Seoul (KR)

WO D096844-001 * 12/2017
WO D100383-003 * 8/2018

(72) Inventors: **Heesu Yang**, Seoul (KR); **Woosuk Park**, Seoul (KR); **Junghyun Min**, Seoul (KR); **Gangho Woo**, Seoul (KR); **JunKi Kim**, Seoul (KR)

OTHER PUBLICATIONS

CJ45 LG XBOOM 720W Hi-Fi Entertainment System with Bluetooth® Connectivity, announced 2017 [online], [retrieved Nov. 2018]. Available from Internet, URL: <https://www.lg.com/us/home-audio/lg-CJ45-mini-shelf>(Year: 2017).*

(73) Assignee: **LG ELECTRONICS INC.**, Seoul (KR)

Primary Examiner — T Chase Nelson

(**) Term: **15 Years**

Assistant Examiner — Dana K Weiland

(21) Appl. No.: **35/504,174**

(74) *Attorney, Agent, or Firm* — Birch, Stewart, Kolasch & Birch, LLP

(22) Filed: **Jun. 21, 2017**

(57) **CLAIM**

(80) **Hague Agreement Data**

Int. Filing Date: **Jun. 21, 2017**
Int. Reg. No.: **DM/096844**
Int. Reg. Date: **Jun. 21, 2017**
Int. Reg. Pub. Date: **Dec. 22, 2017**

The ornamental design for an audio player, as shown and described.

DESCRIPTION

(30) **Foreign Application Priority Data**

Dec. 22, 2016 (KR) 30-2016-0062666

The patent or application file contains at least one drawing executed in color. Copies of this patent or patent application publication with color drawing(s) will be provided by the Office upon request and payment of the necessary fee.

(51) **LOC (12) Cl.** **14-01**

(52) **U.S. Cl.**
USPC **D14/168; D14/172**

(58) **Field of Classification Search**
USPC D14/162, 167–169, 172, 175, 179, 188, D14/194–198, 204, 209.1, 214, 215, 217, D14/257, 265, 299, 496; D21/516
(Continued)

- 1. Audio player
- 1.1 : Perspective
- 1.2 : Front
- 1.3 : Back
- 1.4 : Left
- 1.5 : Right
- 1.6 : Top
- 1.7 : Bottom

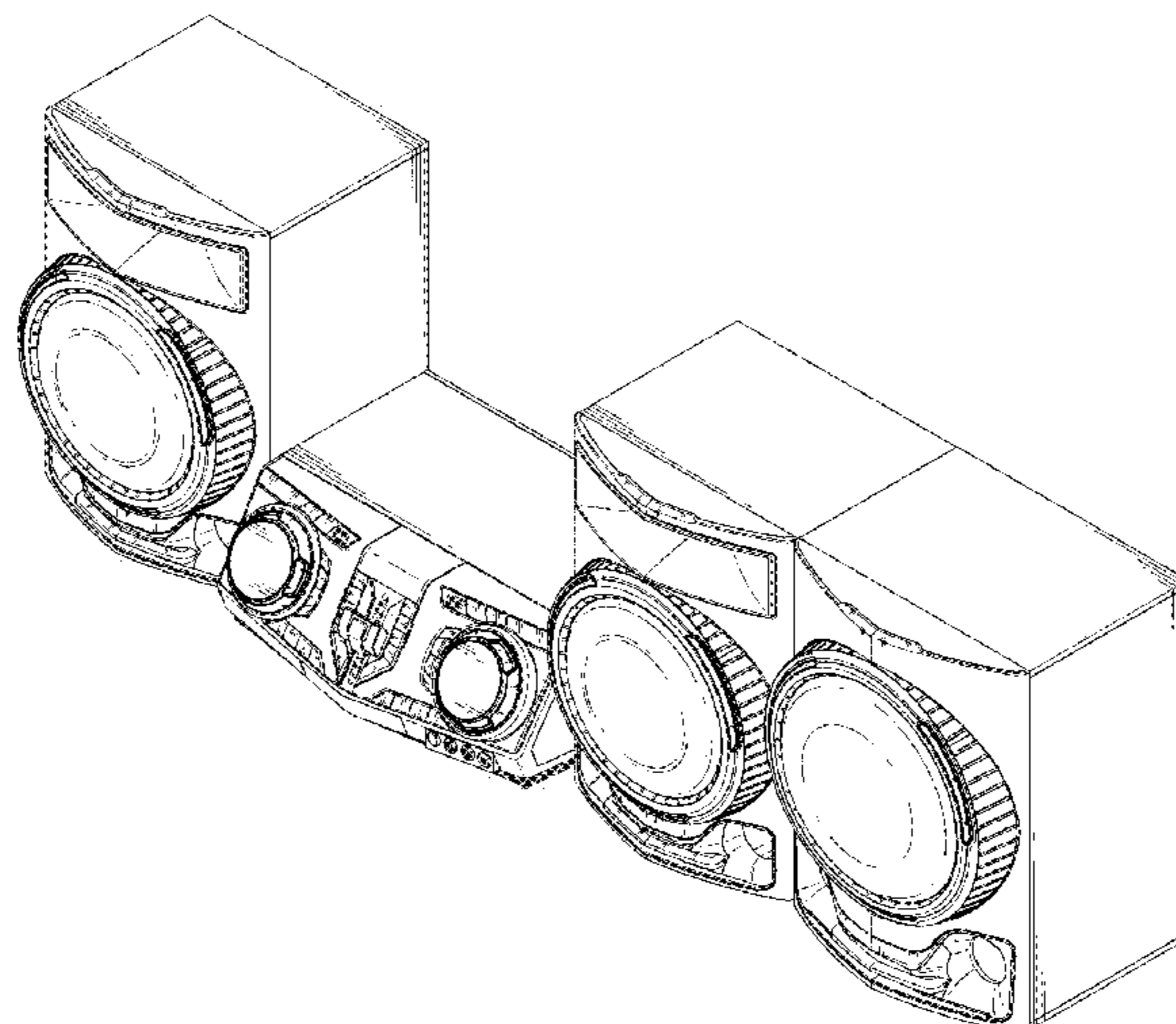
(56) **References Cited**

U.S. PATENT DOCUMENTS

D430,136 S * 8/2000 Hattori D14/168
D571,347 S * 6/2008 Masul D14/168
(Continued)

The broken lines shown in the figures depict portions of the audio player that form no part of the claimed design. The portions of the audio player shown in the color yellow form no part of the claimed design.

1 Claim, 7 Drawing Sheets
(5 of 7 Drawing Sheet(s) Filed in Color)



(58) **Field of Classification Search**

CPC ... H04R 1/02; H04R 1/28; H04R 9/06; H05K
5/00; G10K 11/00

See application file for complete search history.

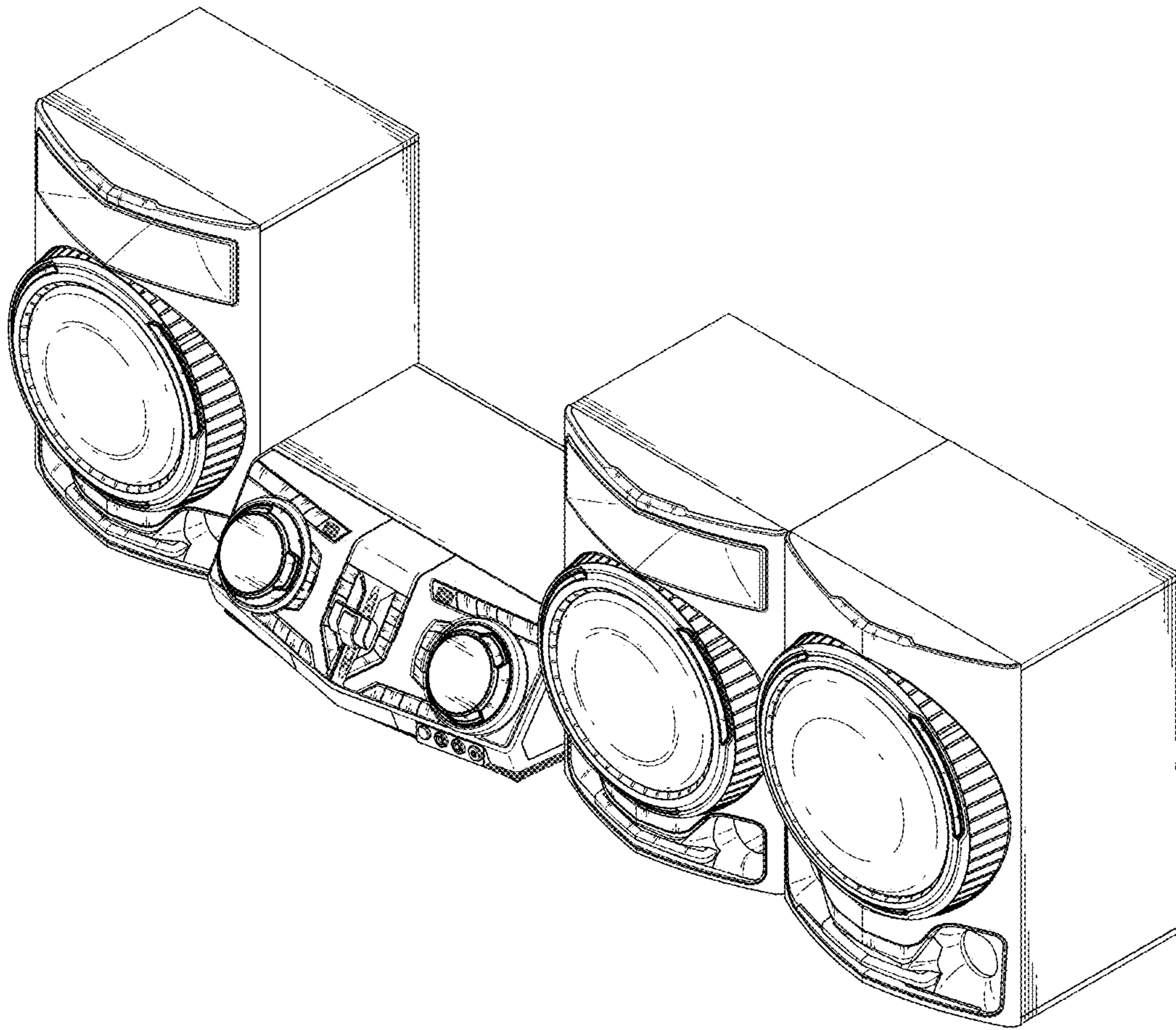
(56) **References Cited**

U.S. PATENT DOCUMENTS

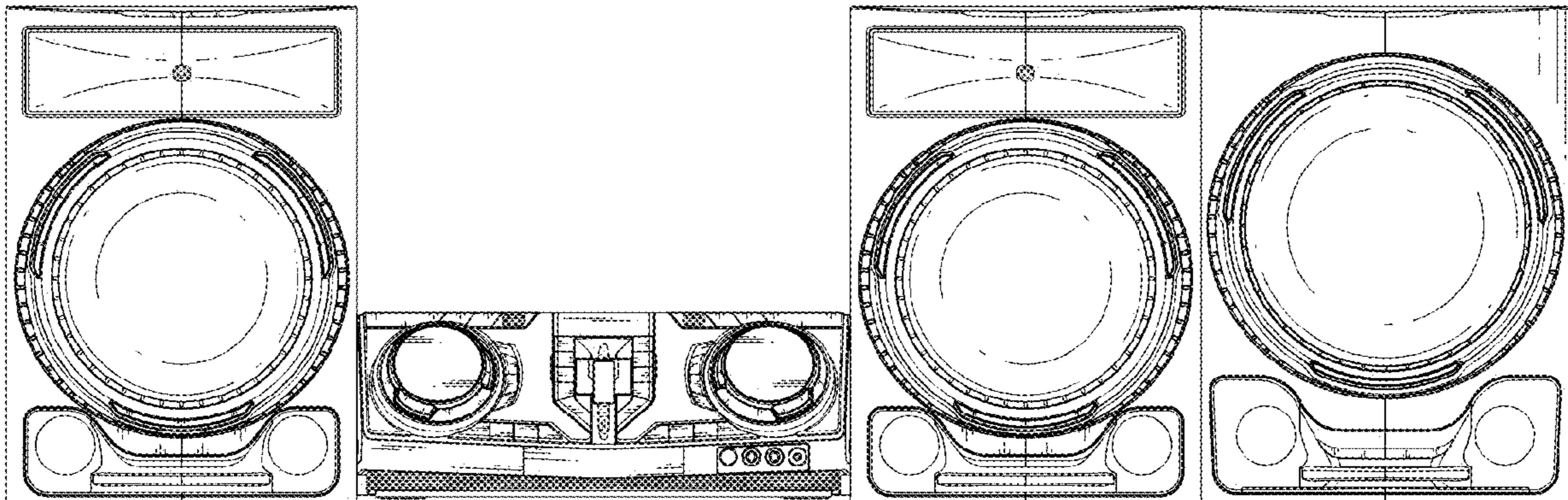
D592,634 S *	5/2009	Reevers, Jr.	D14/162
D627,329 S *	11/2010	Ryu	D14/168
D628,553 S *	12/2010	Cho	D14/168
D678,240 S *	3/2013	Park	D14/172
D715,762 S *	10/2014	Chong	D14/195
8,935,356 B2 *	1/2015	Sano	G11B 27/034 709/205
D754,097 S *	4/2016	Pineau	D14/204
D759,631 S *	6/2016	Espinosa	D14/215
D775,107 S *	12/2016	Green	D14/221
D777,704 S *	1/2017	Helwig	D14/215
D777,705 S *	1/2017	Wang	D14/215
D777,706 S *	1/2017	Wang	D14/215
D826,903 S *	8/2018	Yang	D14/210
D836,601 S *	12/2018	Yang	D14/209.1
D843,346 S *	3/2019	Kim	D14/205
D859,351 S *	9/2019	Park	D14/172
D863,358 S *	10/2019	Park	D14/500

* cited by examiner

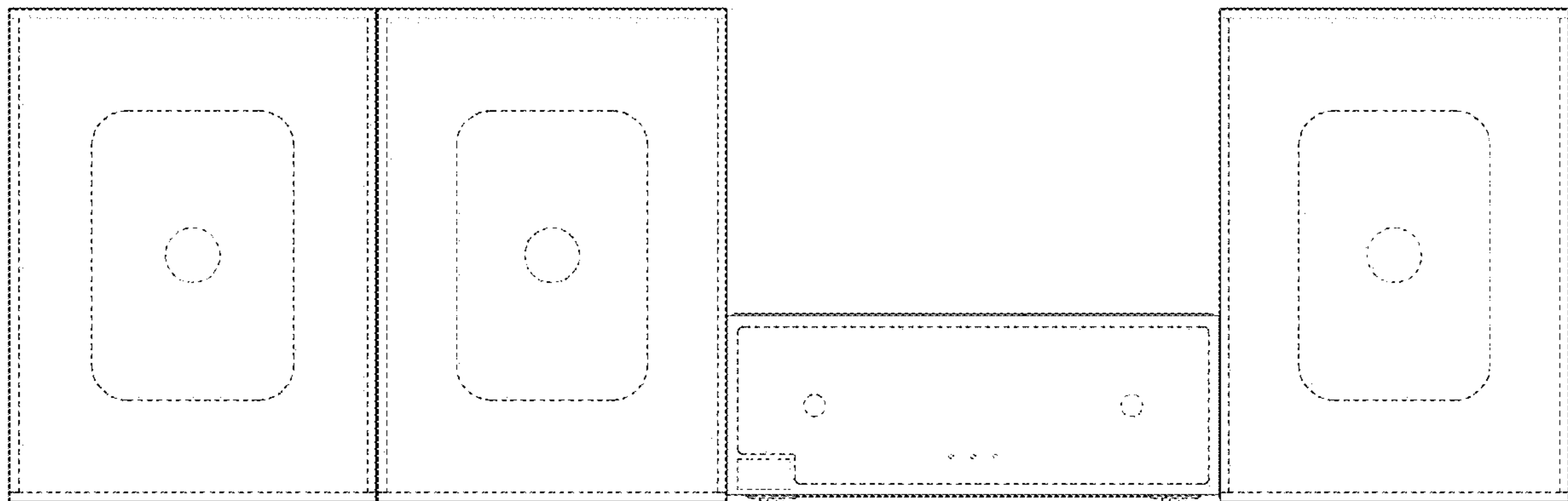
1.1



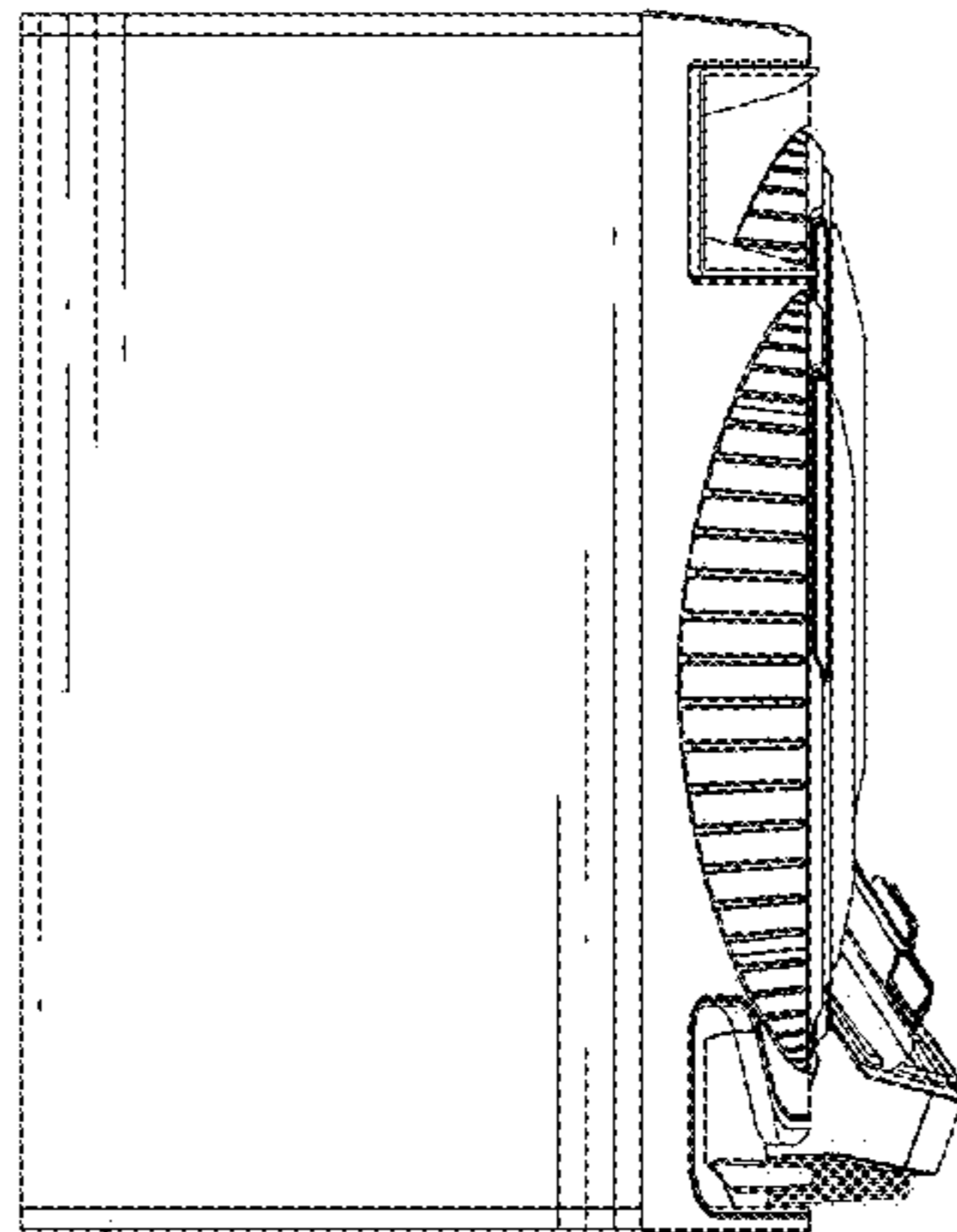
1.2



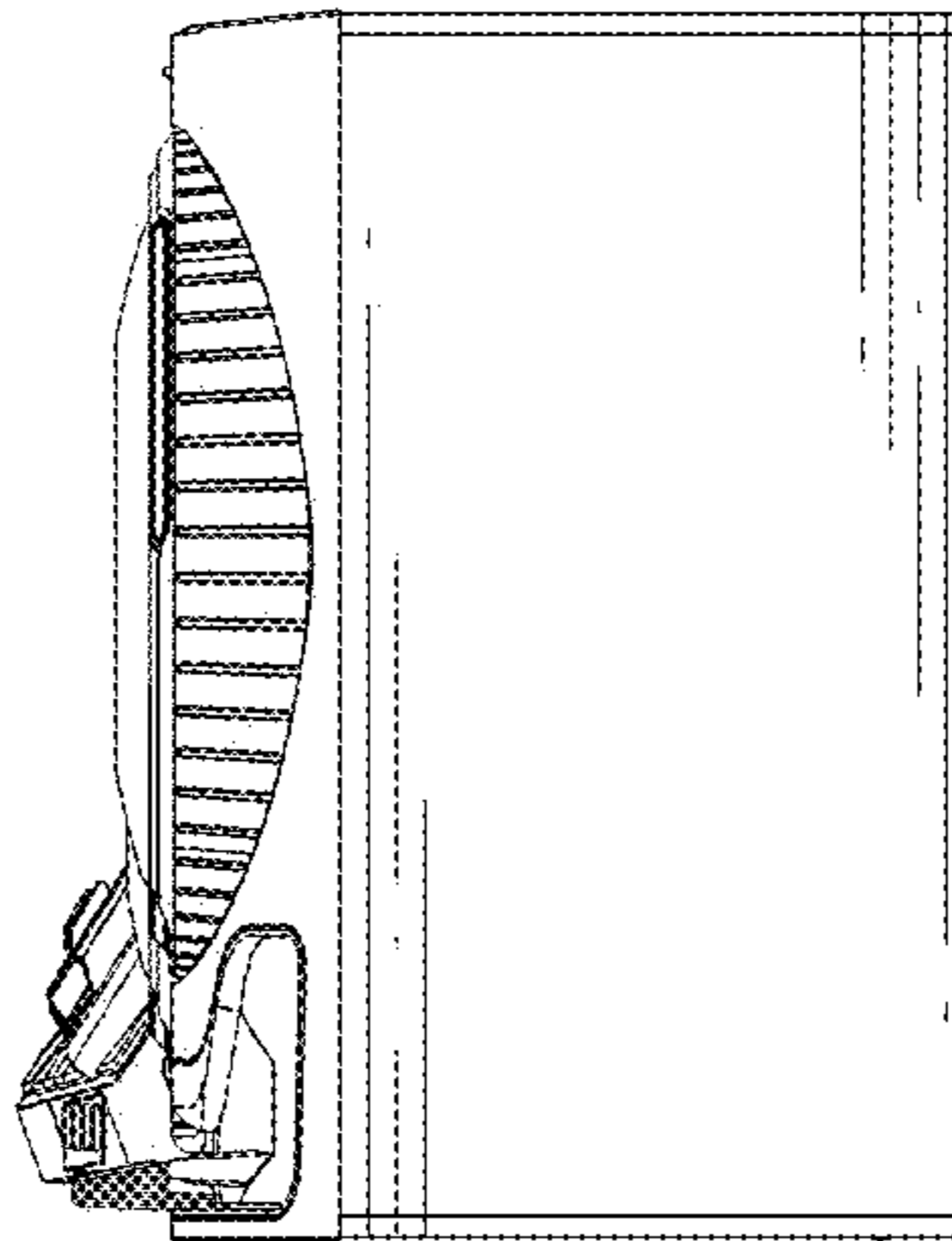
1.3



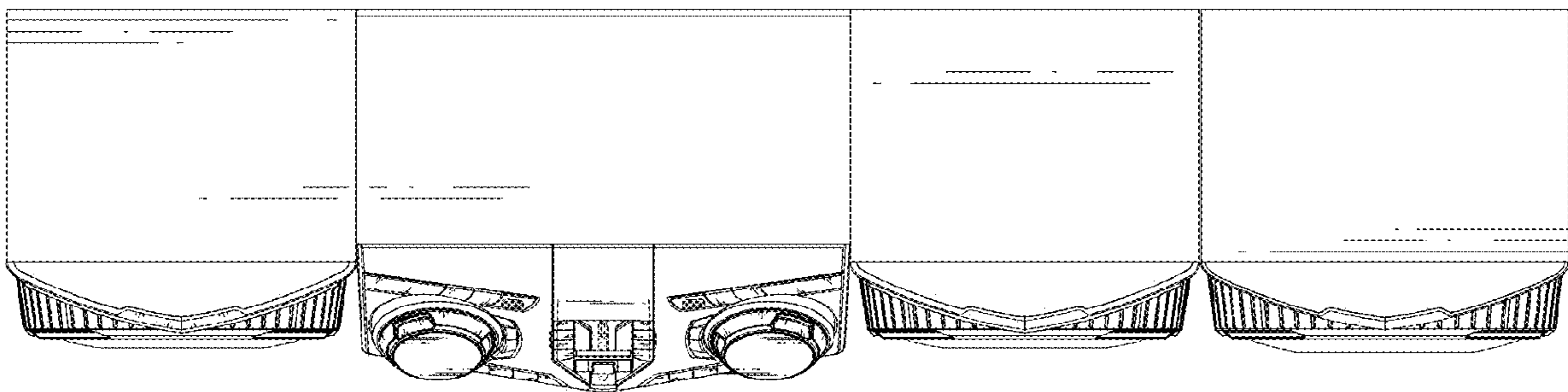
1.4



1.5



1.6



1.7

