



US00D870690S

(12) **United States Design Patent** (10) **Patent No.:** **US D870,690 S**
Xiao et al. (45) **Date of Patent:** **** Dec. 24, 2019**

(54) **MOBILE PHONE**
(71) Applicant: **Beijing Xiaomi Mobile Software Co., Ltd.**, Beijing (CN)
(72) Inventors: **Yanlin Xiao**, Beijing (CN); **De Liu**, Beijing (CN); **He Shan**, Beijing (CN)
(73) Assignee: **BEIJING XIAOMI MOBILE SOFTWARE CO., LTD.**, Beijing (CN)

D717,265 S * 11/2014 Zhao D14/138 G
D756,948 S * 5/2016 Kim D14/138 G
D756,949 S * 5/2016 Kim D14/138 G
D761,225 S * 7/2016 Poulin D14/138 G
D761,226 S * 7/2016 Poulin D14/138 G
D792,366 S * 7/2017 Zhang D14/138 G
D799,476 S * 10/2017 Sakatsume D14/341
D806,705 S * 1/2018 Akana D14/341
D807,317 S * 1/2018 Yang D14/138 G
D808,917 S * 1/2018 Lee D14/138 G

(Continued)

(**) Term: **15 Years**

OTHER PUBLICATIONS

(21) Appl. No.: **29/621,764**

Xiaomi Mi Mix 2: It filters its possible design, posted Mar. 22, 2017, [retrieved Aug. 26, 2018]. Retrieved from Internet, <URL: http://www.gsmarena.com/samsung_galaxy_c7-8046.php >.*

(22) Filed: **Oct. 11, 2017**

(Continued)

(51) **LOC (12) Cl.** **14-03**

(52) **U.S. Cl.**

USPC **D14/138 R**; D14/341

(58) **Field of Classification Search**

USPC D14/341-347, 125-134, 137, 138 R, D14/138 AA, 138 AB, 138 C, 138 G, 147, D14/203.1, 203.3, 203.4, 203.7, 218, 247, D14/248, 332, 336, 371, 374-377, 388, D14/389, 315-318, 420, 426, 429, 440, D14/448, 450, 489, 492, 496; D6/300-310; D10/50, 65, 98, 104.1; D16/241; D18/4.6, 6; D20/10, 19, 39; D21/329, 330

CPC . A63H 33/3016; G06F 1/1613; G06F 1/1641; G06F 1/1643; G06F 1/1647; G06F 3/04883; G06F 3/0486; G06F 3/04847; G06F 3/04845; G06F 3/0484; G06F 3/04817; H05K 5/0004; H05K 5/0017; H05K 5/02; H05K 5/0217; H04M 1/0279; H04M 1/0281; H04M 1/0283; H04N 13/0459

See application file for complete search history.

Primary Examiner — Barbara Fox

Assistant Examiner — Kristin E Reed

(74) *Attorney, Agent, or Firm* — Amster, Rothstein & Ebenstein LLP

(57)

CLAIM

The ornamental design for a mobile phone, as shown and described.

DESCRIPTION

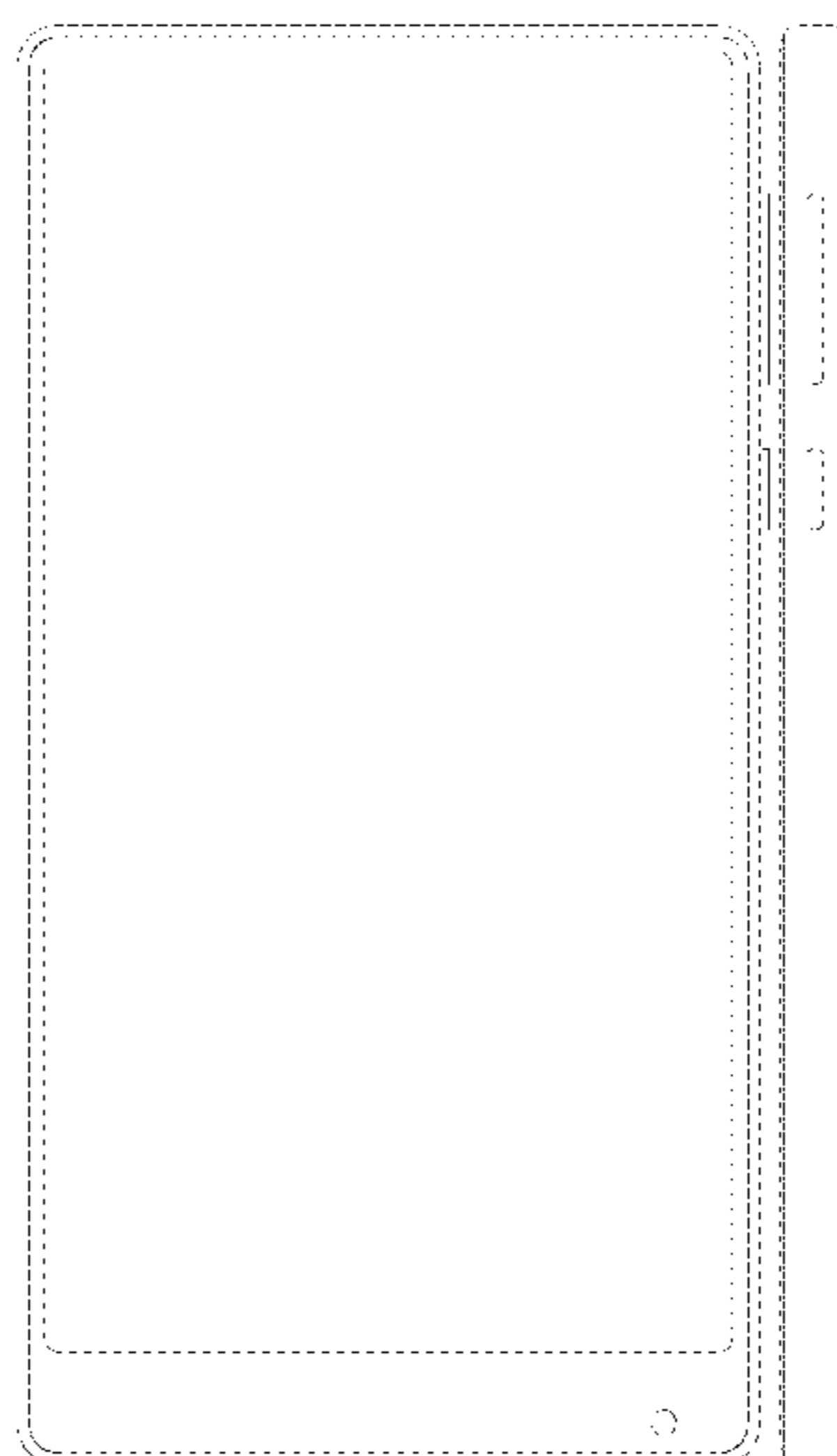
FIG. 1 is a front view of a mobile phone of the new design; FIG. 2 is a back view of the mobile phone; FIG. 3 is a left view of the mobile phone; FIG. 4 is a right view of the mobile phone; FIG. 5 is a top view of the mobile phone; FIG. 6 is a bottom view of the mobile phone; FIG. 7 is a perspective view of the mobile phone; and, FIG. 8 is another perspective view of the mobile phone.

1 Claim, 8 Drawing Sheets

(56) **References Cited**

U.S. PATENT DOCUMENTS

D684,571 S * 6/2013 Akana D14/341
D708,608 S * 7/2014 Sugiyama D14/341



(56)

References Cited

U.S. PATENT DOCUMENTS

D822,017 S * 7/2018 Noh D14/341

OTHER PUBLICATIONS

Xiaomi Redmi 4 4G Smartphone—Gray 2GB RAM 16GB ROM, posted as early as Nov. 29, 2016, [retrieved Aug. 26, 2018]. Retrieved from Internet, <URL: https://www.gearbest.com/cell-phones/pp_569347.html >.*

A look at Microsoft's unreleased 'all screen' Lumia Windows phone, posted Oct. 9, 2017, [retrieved Aug. 26, 2018]. Retrieved from Internet, <URL: <https://www.windowscentral.com/microsofts-canceled-all-screen-lumia-handset> >.*

Nokia N9 Unlocked GSM Phone with 64 GB Internal Memory-International Version (Black), posted as early as Jan. 3, 2012, [retrieved Aug. 26, 2018]. Retrieved from Internet, <URL: <https://www.amazon.com/Nokia-Unlocked-Internal-Memory-International-Version/dp/B005Z32UI2> >.*

* cited by examiner

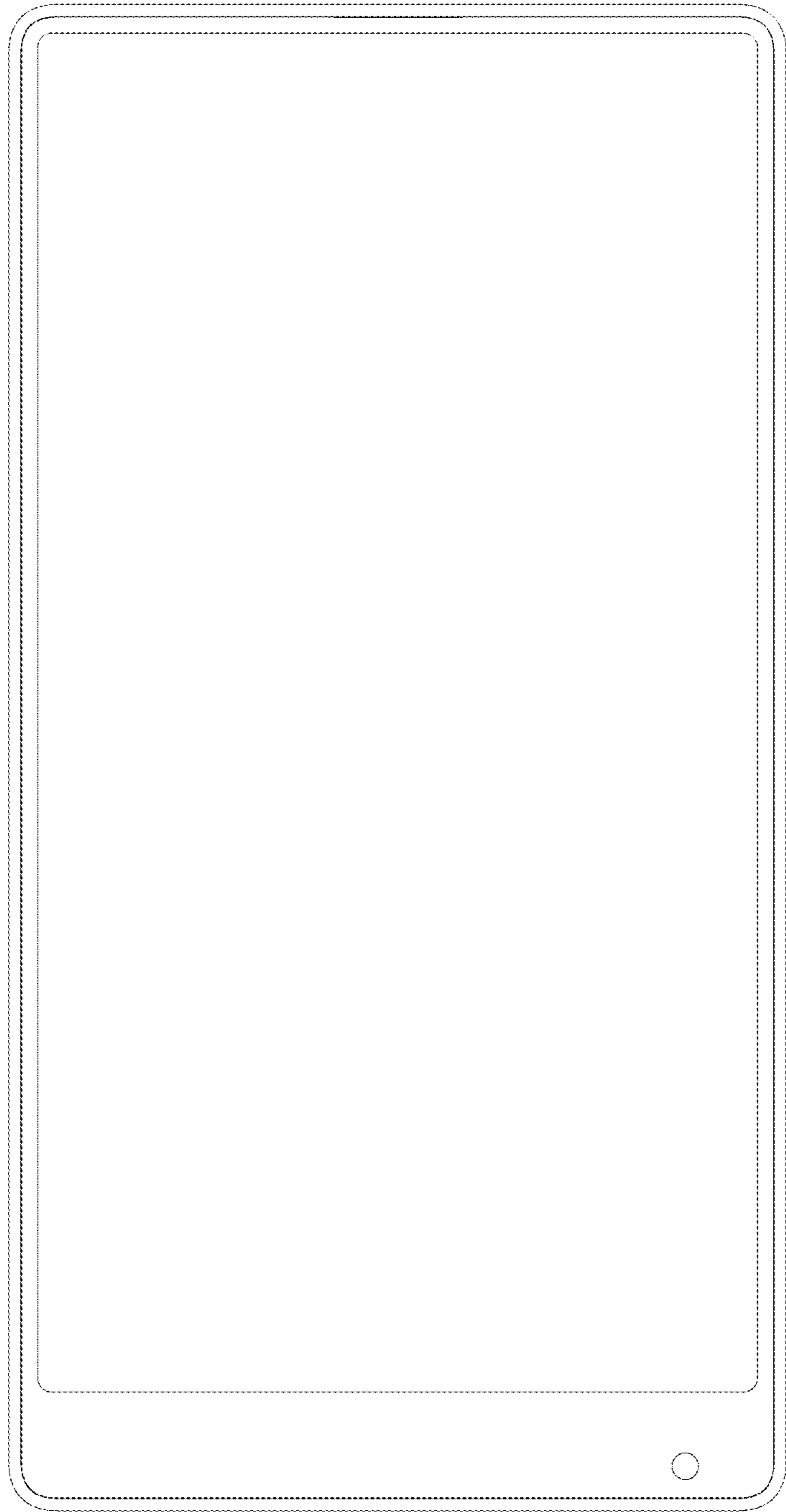


Fig. 1

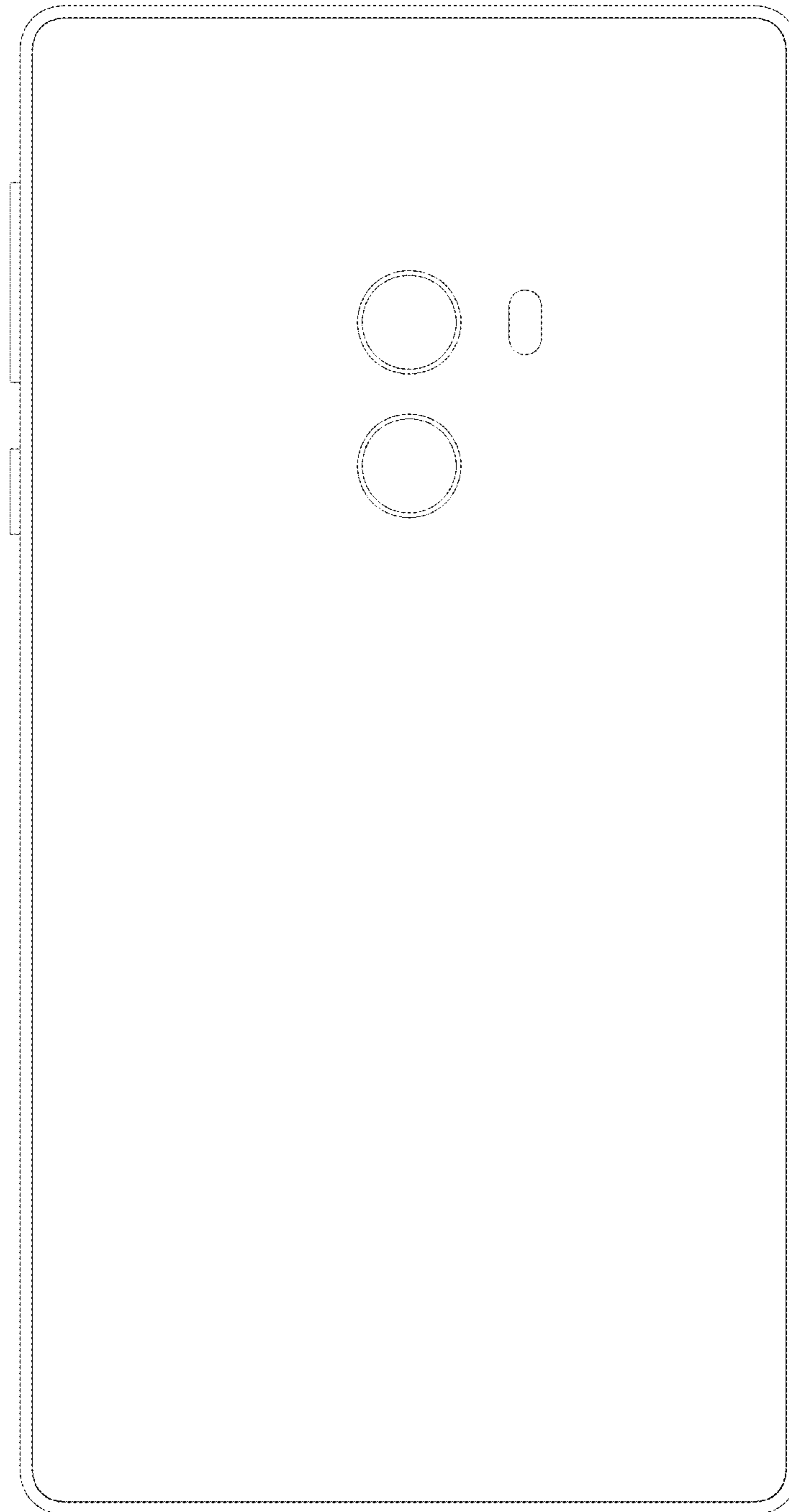


Fig.2

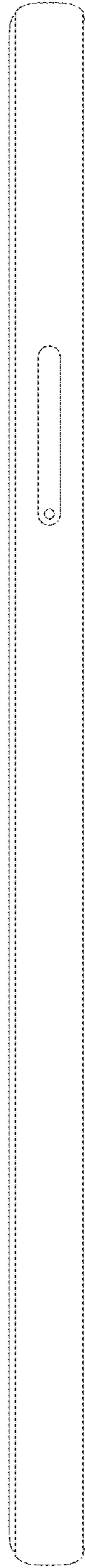


Fig.3

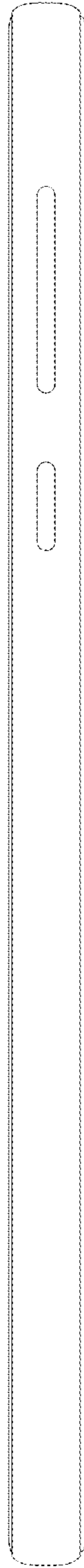


Fig.4



Fig.5

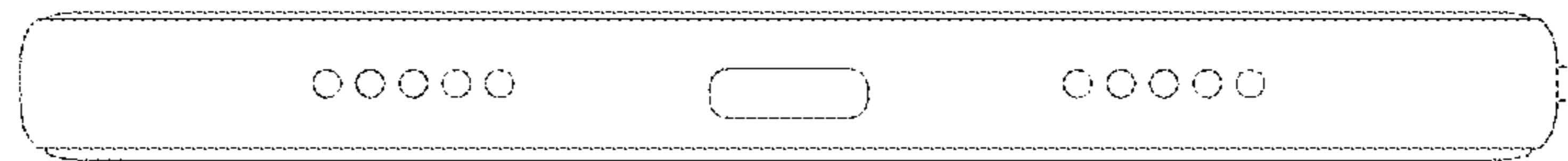


Fig.6

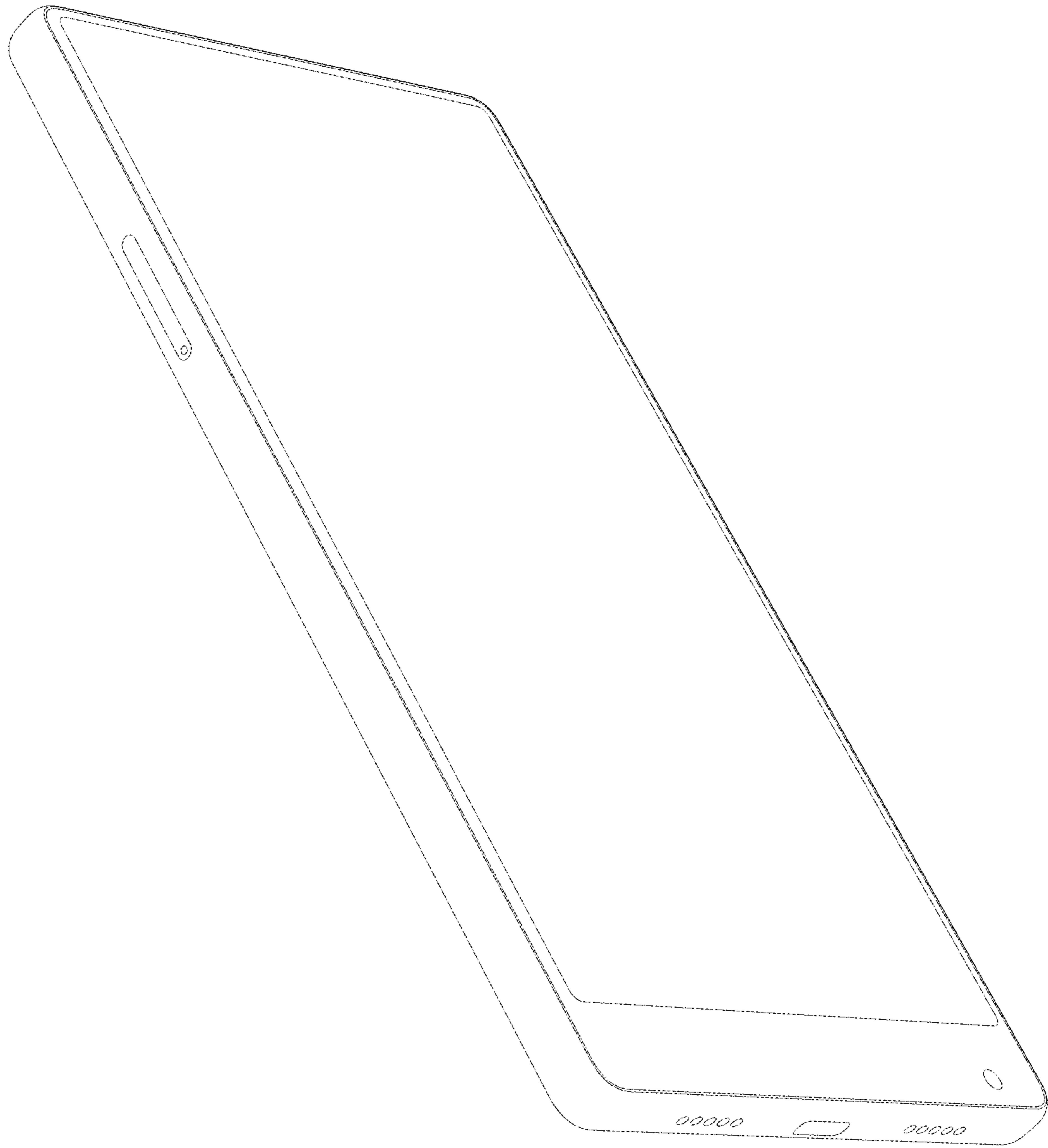


Fig. 7

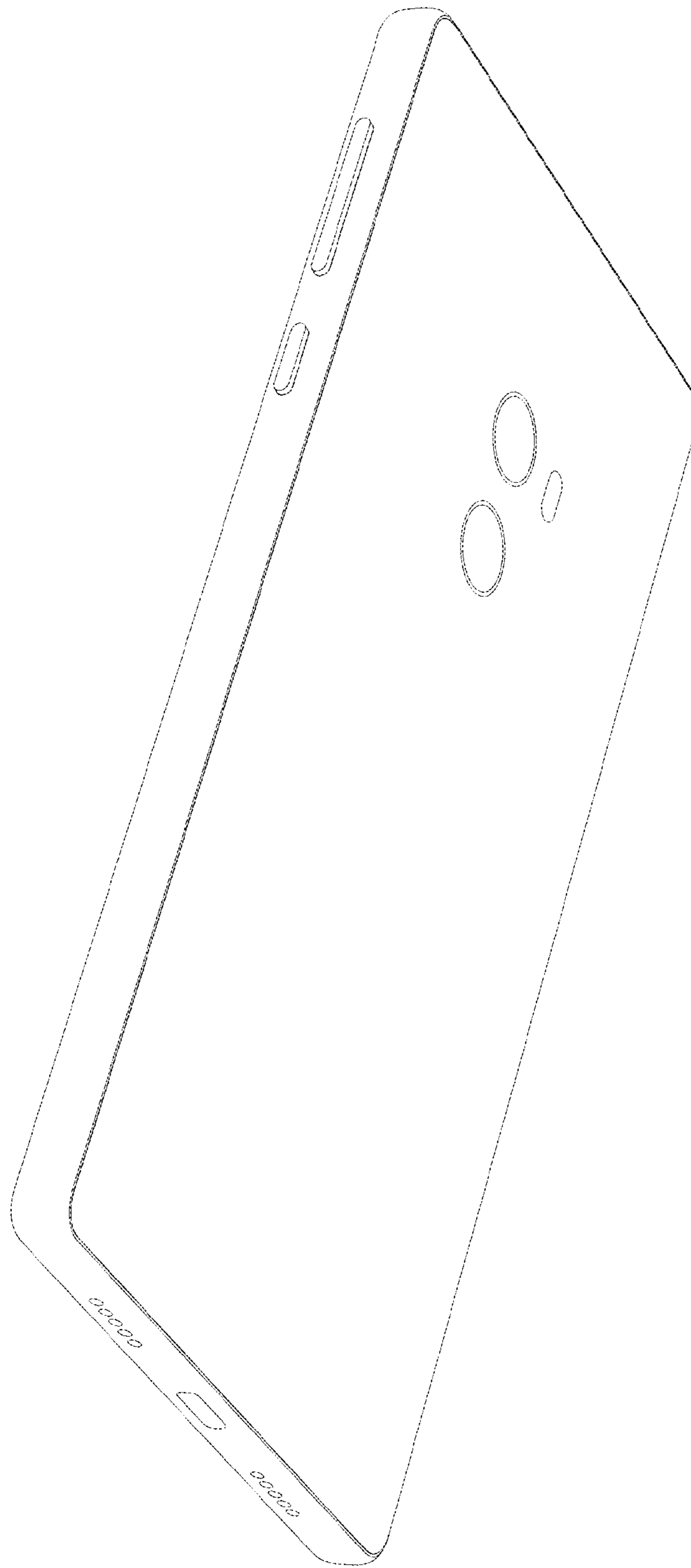


Fig.8