



US00D870677S

(12) **United States Design Patent** (10) **Patent No.:** **US D870,677 S**
Gupta et al. (45) **Date of Patent:** **** Dec. 24, 2019**

(54) **PRESSURE SWITCH**
(71) Applicant: **WIKA Alexander Wiegand SE & Co.**
KG, Klingenberg/Main (DE)

D857,538 S * 8/2019 Rodriguez D10/103
D863,087 S * 10/2019 Henrich D10/96
2014/0298920 A1* 10/2014 Fukano G01F 1/588
73/861.12

(72) Inventors: **Umang Gupta**, Ghaziabad (IN);
Sandra Geske, Woerth am Main (DE);
Ulrich Demuth, Erbach (DE)

FOREIGN PATENT DOCUMENTS

EM 006271896 * 3/2019

(73) Assignee: **WIKA Alexander Wiegand SE & Co.**
KG, Klingenberg/Main (DE)

OTHER PUBLICATIONS

INDFOS Pressure Switch IPS—100, dated Oct. 5, 2016, [online],
[site visited Oct. 21, 2019]. Available from Internet, URL:<https://www.amazon.in/dp/B01M1NKMT> (Year: 2016).*

(**) Term: **15 Years**

(Continued)

(21) Appl. No.: **29/673,787**

Primary Examiner — Angela J Lee

(22) Filed: **Dec. 18, 2018**

Assistant Examiner — Shawn T Gingrich

(51) **LOC (12) Cl.** **13-03**

(74) *Attorney, Agent, or Firm* — Muncy, Geissler, Olds &
Lowe, P.C.

(52) **U.S. Cl.**

USPC **D13/158**

(58) **Field of Classification Search**

USPC D13/110, 118, 123, 133, 154, 158–161,
D13/173, 178, 184, 199; D10/40, 75, 78,
D10/85, 96

(57) **CLAIM**

The ornamental design for a pressure switch, as shown and
described.

CPC G01F 1/58; G01L 7/10; G01L 9/00; G01L
19/12; G08B 21/00; H01H 9/16; H01H
35/24; H01H 35/26; H01H 35/36

DESCRIPTION

See application file for complete search history.

FIG. 1 is a front perspective view of a pressure switch
according to the present invention.

(56) **References Cited**

U.S. PATENT DOCUMENTS

D401,562 S * 11/1998 Brass D13/165
D455,362 S * 4/2002 Okuyama D10/96
D479,203 S * 9/2003 Korematsu D13/158
D485,810 S * 1/2004 Fiocchi D13/184
D497,145 S * 10/2004 Seo D13/158
D559,195 S * 1/2008 Tamaoki D13/158
D559,708 S * 1/2008 Michael D10/40
D785,572 S * 5/2017 Abraham D13/152
D810,700 S * 2/2018 Jenkins D13/162
D826,154 S * 8/2018 Ceravalo D13/110

FIG. 2 is a front view of the pressure switch of FIG. 1.

FIG. 3 is a rear view of the pressure switch of FIG. 1.

FIG. 4 is a left side view of the pressure switch of FIG. 1.

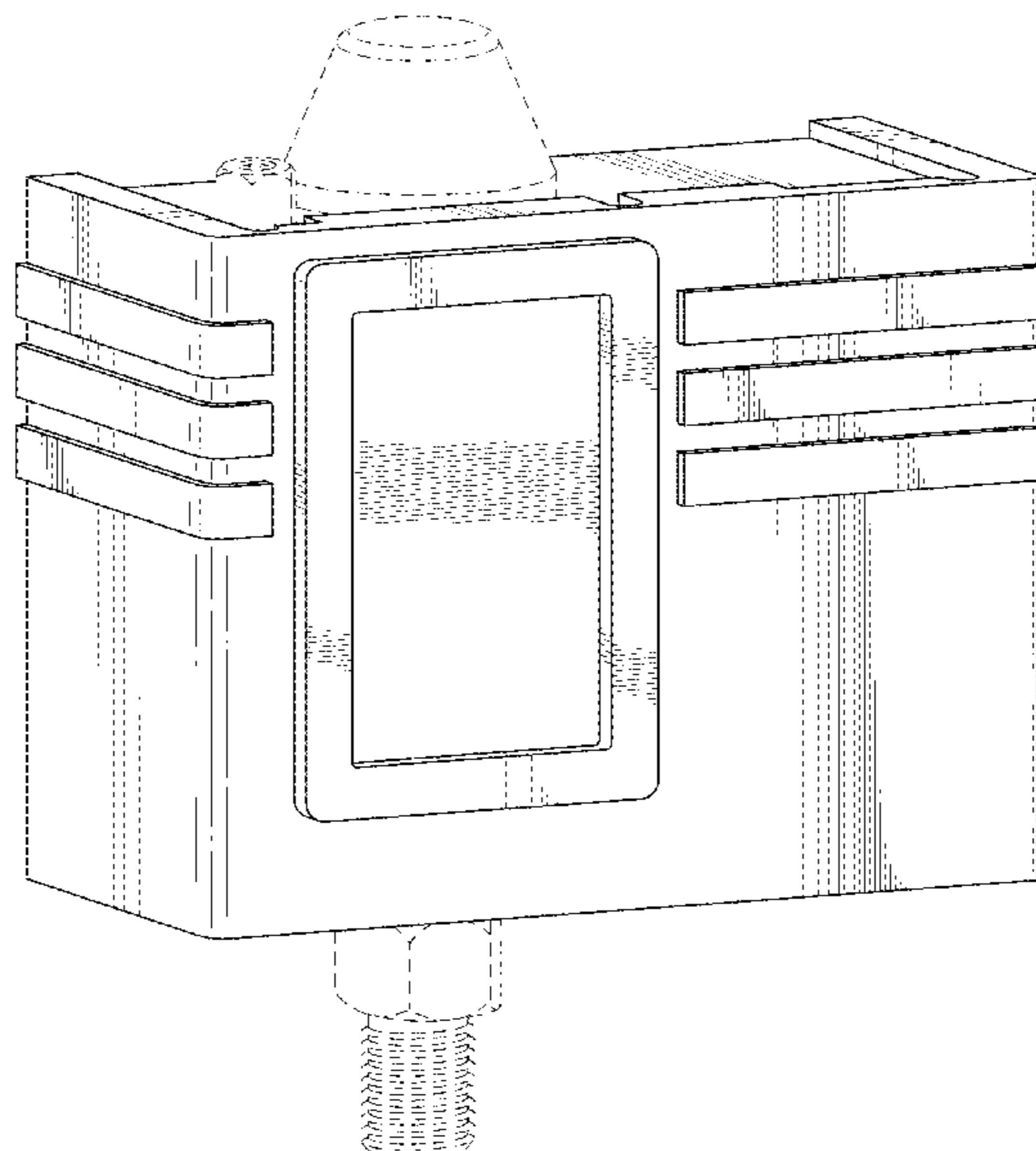
FIG. 5 is a right side view of the pressure switch of FIG. 1.

FIG. 6 is a top view of the pressure switch of FIG. 1; and,

FIG. 7 is a bottom view of the pressure switch of FIG. 1.

The dashed lines illustrate environment that does not form a
part of the present invention, and no claim is made to the
material illustrated with dashed lines.

1 Claim, 7 Drawing Sheets



(56)

References Cited

OTHER PUBLICATIONS

INDFOS Pressure Switch IPS—400, dated Oct. 5, 2016, [online], [site visited Oct. 21, 2019]. Available from Internet, URL:<https://www.amazon.in/PRESSURE-SWITCH-IPS-Adjustable-Differential/dp/B01M10LCDN> (Year: 2016).*

Danfoss KP36 Pressure Switch, dated Feb. 26, 2018, [online], [site visited Oct. 21, 2019]. Available from Internet, URL:<https://www.amazon.in/Danfoss-060110866-KP36-Pressure-Switch/dp/B00QW2FMTE> (Year: 2018).*

Pressure Switch SNS-C110, dated Mar. 11, 2017, [online], [site visited Oct. 21, 2019]. Available from Internet, URL:<https://www.monotaro.sg/p/35118501/> (Year: 2017).*

* cited by examiner

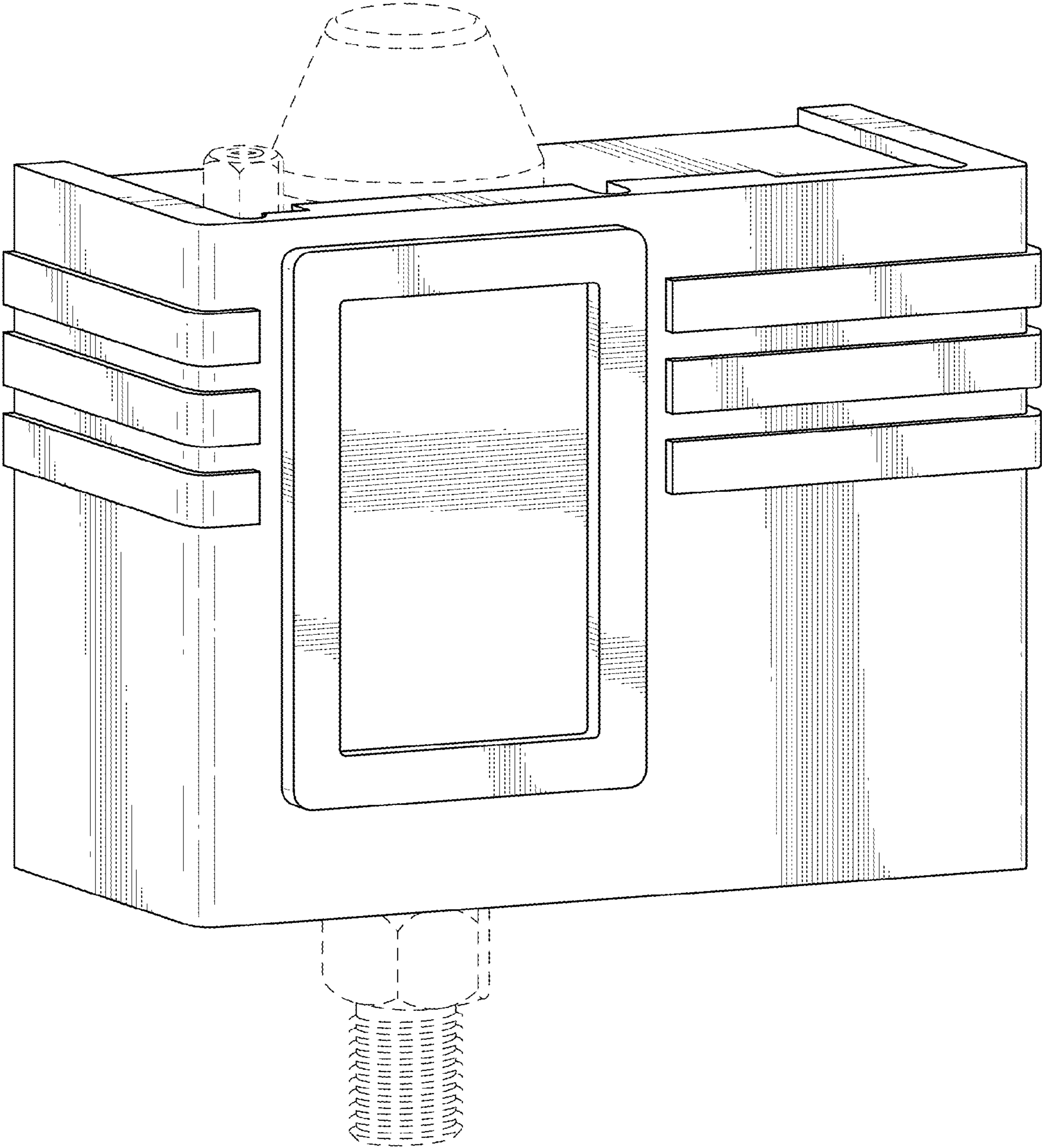


FIG.1

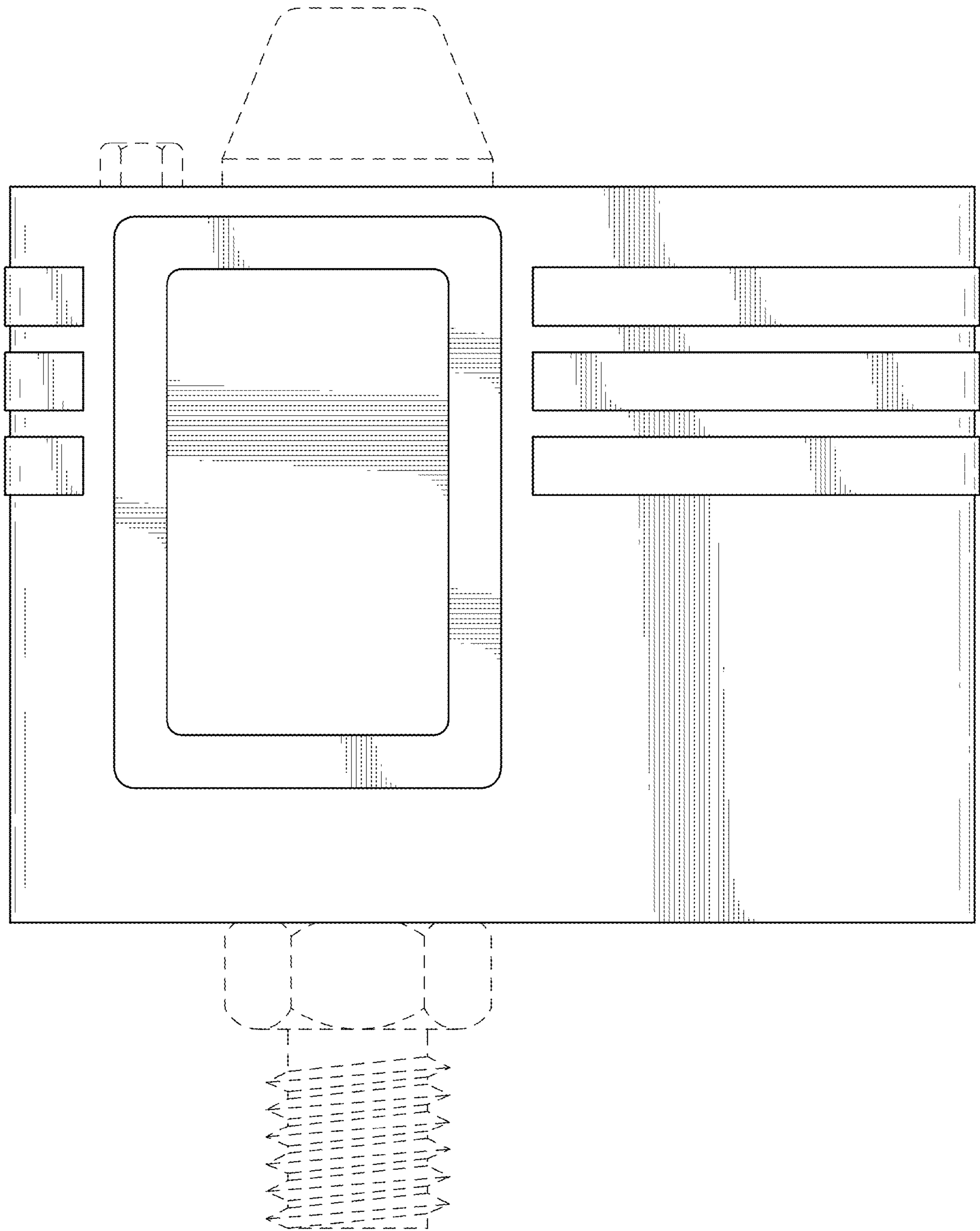


FIG.2

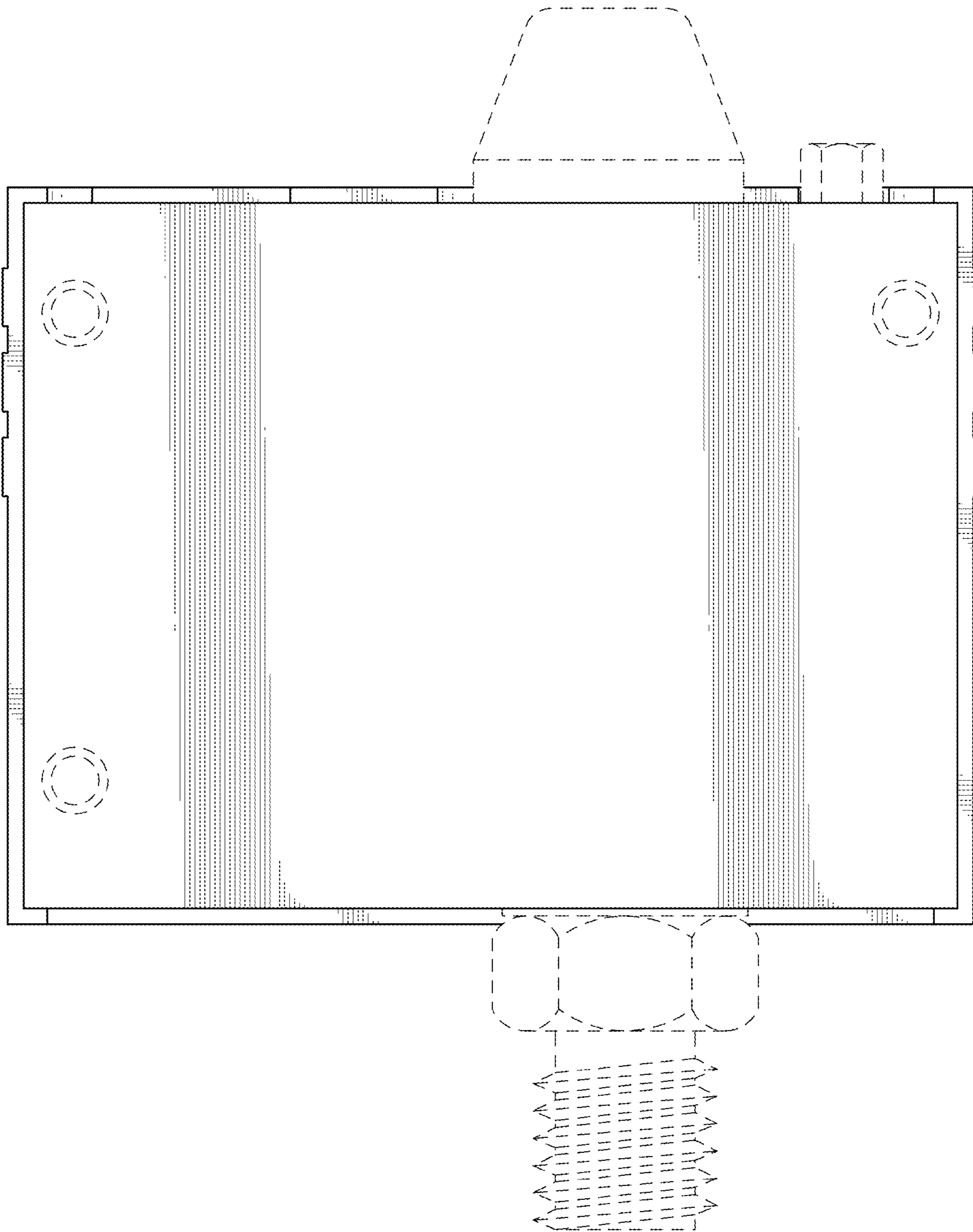


FIG.3

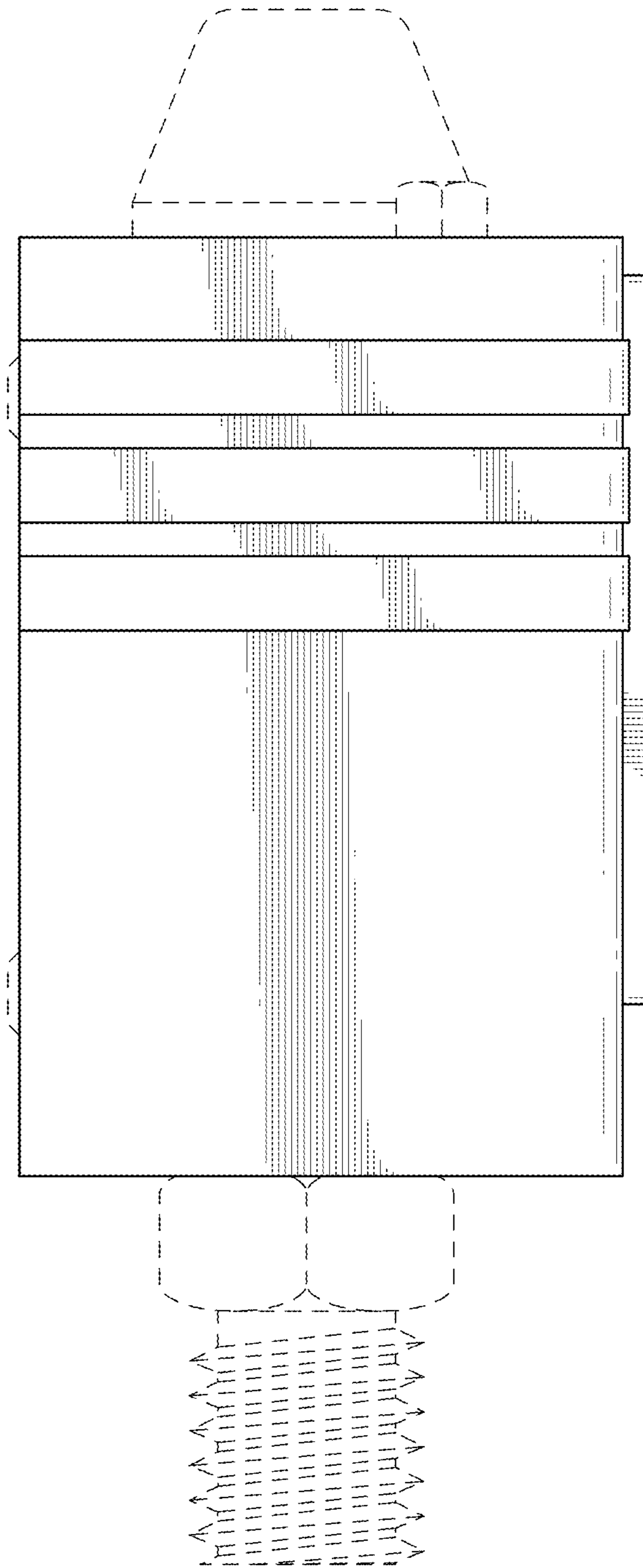


FIG.4

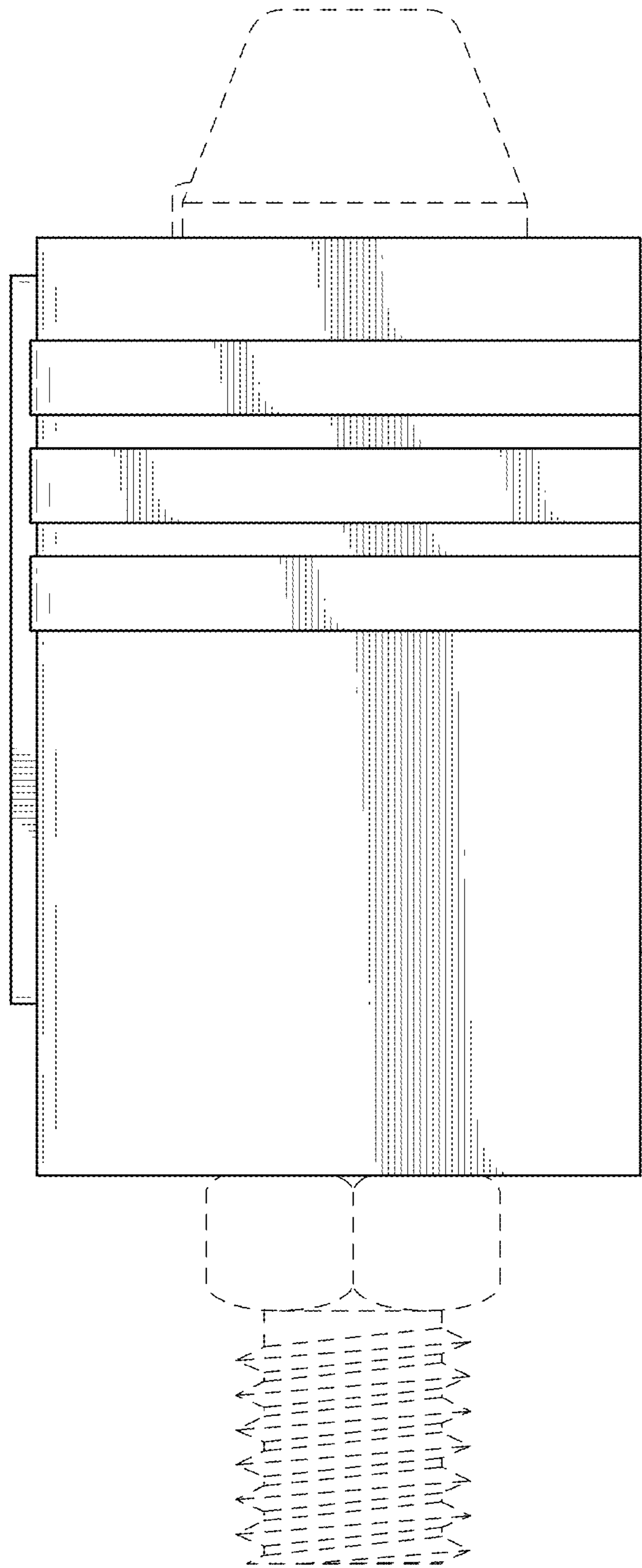


FIG.5

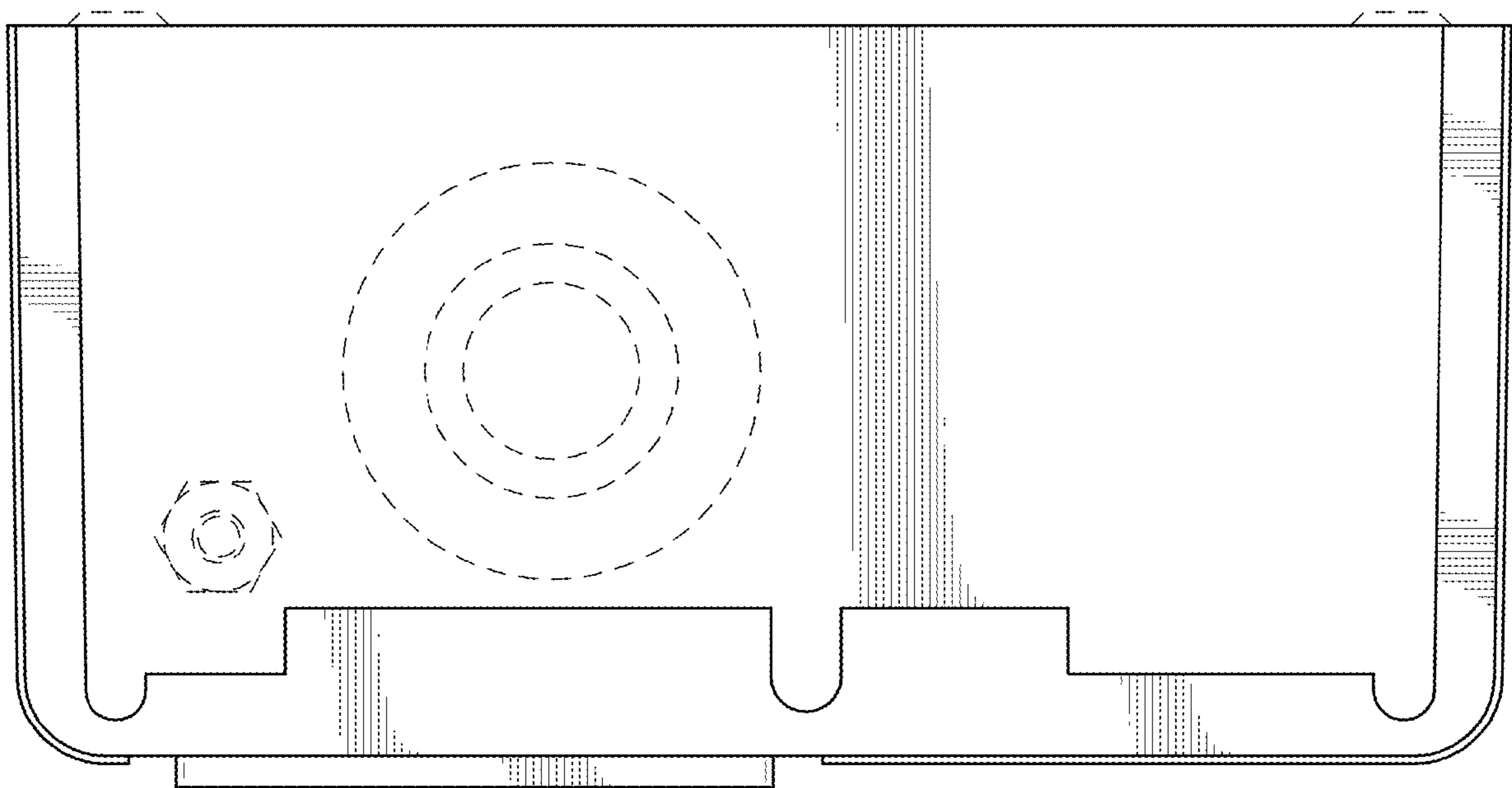


FIG.6

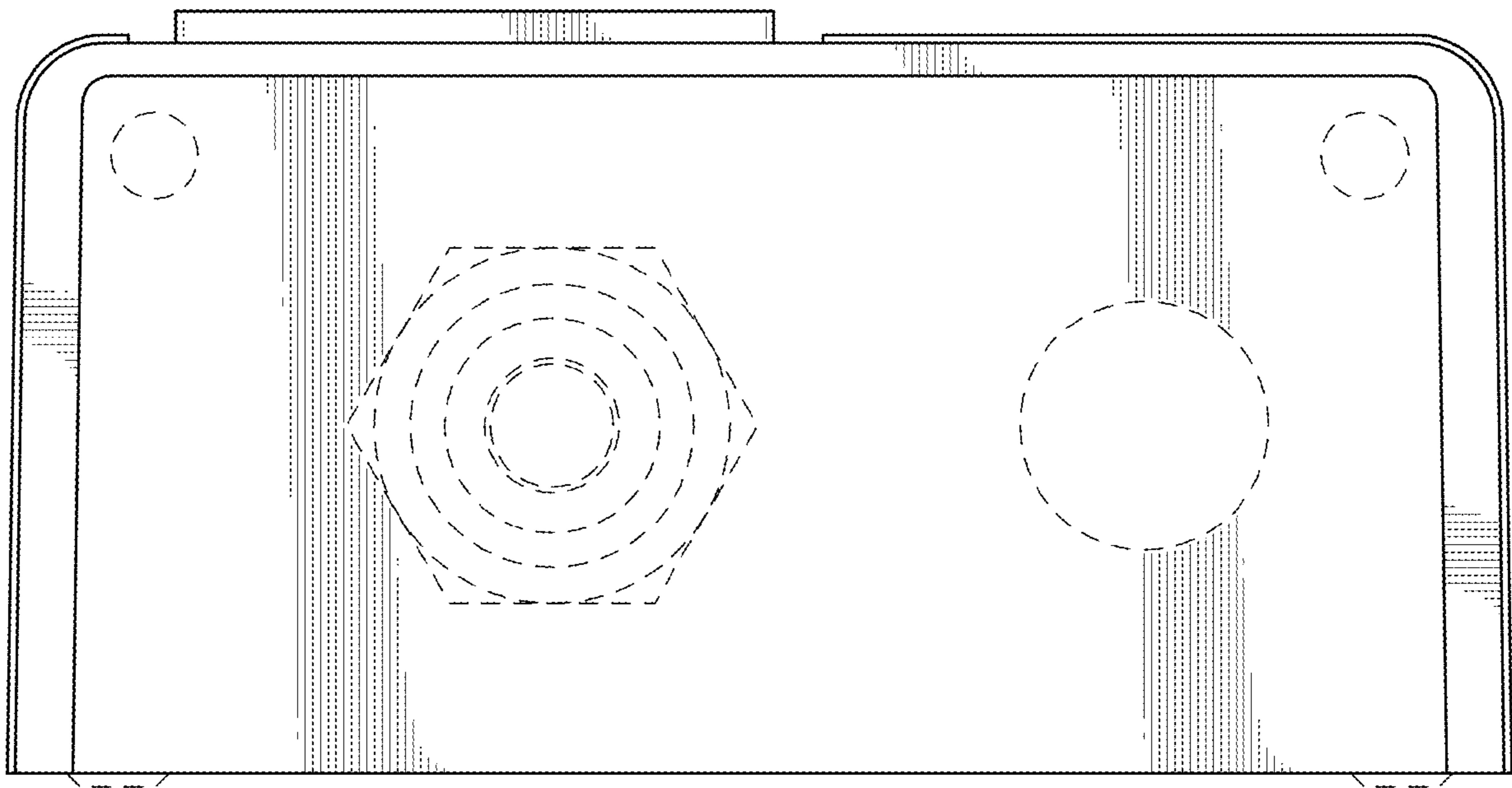


FIG.7