



US00D870673S

(12) **United States Design Patent**
Obata et al.

(10) **Patent No.:** **US D870,673 S**

(45) **Date of Patent:** **** Dec. 24, 2019**

(54) **CONNECTOR**

(57) **CLAIM**

(71) Applicant: **Japan Aviation Electronics Industry, Limited**, Tokyo (JP)

The ornamental design for a connector, as shown and described.

(72) Inventors: **Yusuke Obata**, Tokyo (JP); **Hiroaki Obikane**, Tokyo (JP); **Yuichiro Nakamura**, Tokyo (JP); **Masakazu Kuroiwa**, Tokyo (JP)

DESCRIPTION

(73) Assignee: **JAPAN AVIATION ELECTRONICS INDUSTRY, LIMITED**, Tokyo (JP)

FIG. 1 is a front elevational view of a connector showing a first embodiment of our new design;

(**) Term: **15 Years**

FIG. 2 is a rear elevational view thereof;

(21) Appl. No.: **29/637,377**

FIG. 3 is a right side elevational view thereof;

(22) Filed: **Feb. 16, 2018**

FIG. 4 is a left side elevational view thereof;

(30) **Foreign Application Priority Data**

FIG. 5 is a top plan view thereof;

Aug. 17, 2017 (JP) 2017-017640

FIG. 6 is a bottom plan view thereof;

Aug. 22, 2017 (JP) 2017-017930

FIG. 7 is a perspective view showing a front, top and right side thereof;

(Continued)

FIG. 8 is a perspective view showing a rear, bottom and left side thereof;

(51) **LOC (12) Cl.** **13-03**

(52) **U.S. Cl.**

FIG. 9 is a perspective view showing a front, right and bottom side thereof;

USPC **D13/147**

FIG. 10 is a perspective view showing a rear, left and top side thereof;

(58) **Field of Classification Search**

USPC D13/146, 147, 123, 133, 137.1-139.8, D13/154

FIG. 11 is a front elevational view of a connector showing a second embodiment of our new design;

(Continued)

FIG. 12 is a rear elevational view thereof;

(56) **References Cited**

U.S. PATENT DOCUMENTS

D316,081 S * 4/1991 Tsubokura D13/147

D334,013 S * 3/1993 Nagasaka D13/133

(Continued)

FIG. 13 is a right side elevational view thereof;

FIG. 14 is a left side elevational view thereof;

FIG. 15 is a top plan view thereof;

FIG. 16 is a bottom plan view thereof;

FIG. 17 is a perspective view showing a front, top and right side thereof;

FIG. 18 is a perspective view showing a rear, bottom and left side thereof;

FIG. 19 is a perspective view showing a front, right and bottom side thereof;

FIG. 20 is a perspective view showing a rear, left and top side thereof;

FIG. 21 is a front elevational view of a connector showing a third embodiment of our new design;

FIG. 22 is a rear elevational view thereof;

FIG. 23 is a right side elevational view thereof;

(Continued)

Primary Examiner — Bridget L Eland

(74) *Attorney, Agent, or Firm* — Manabu Kanesaka

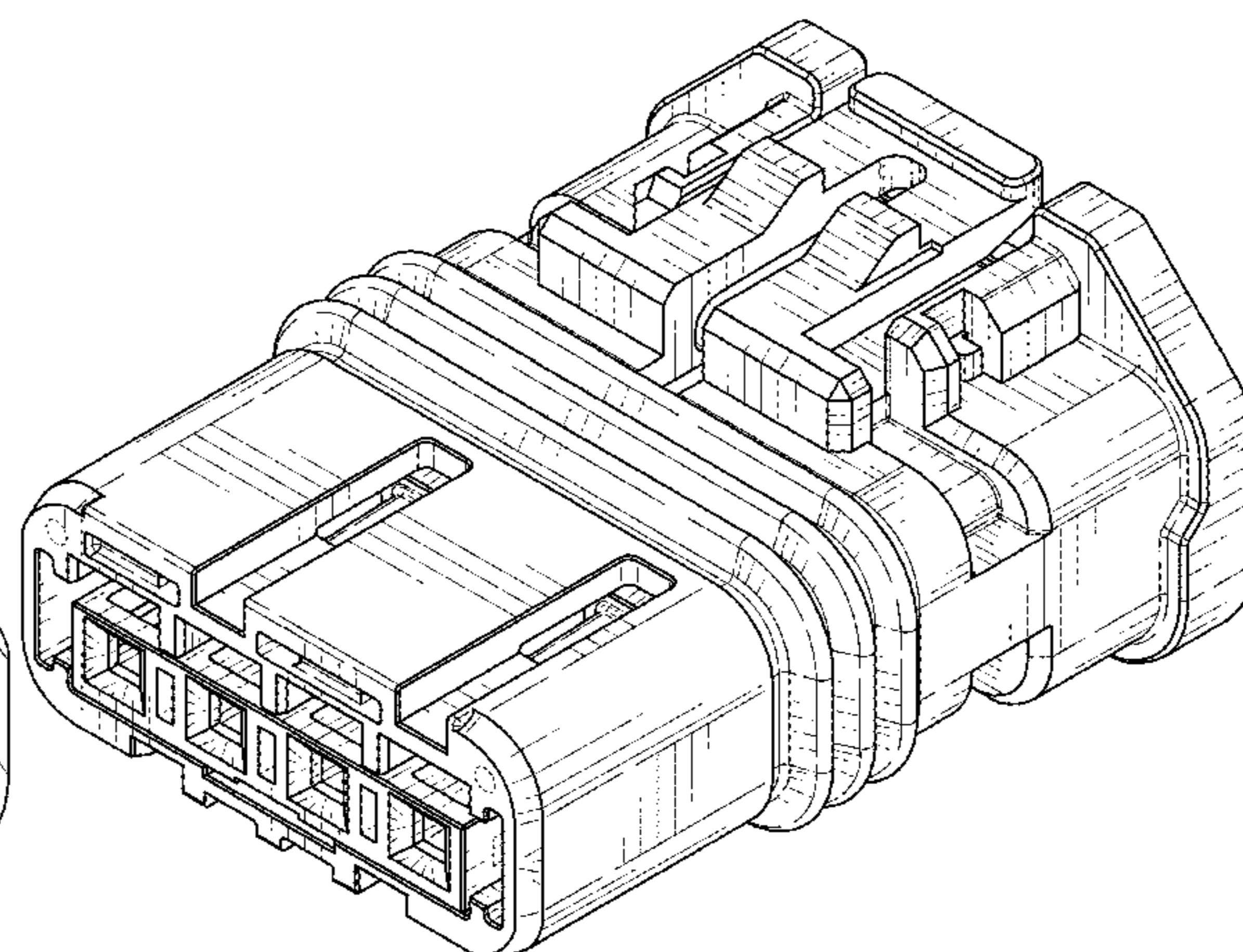
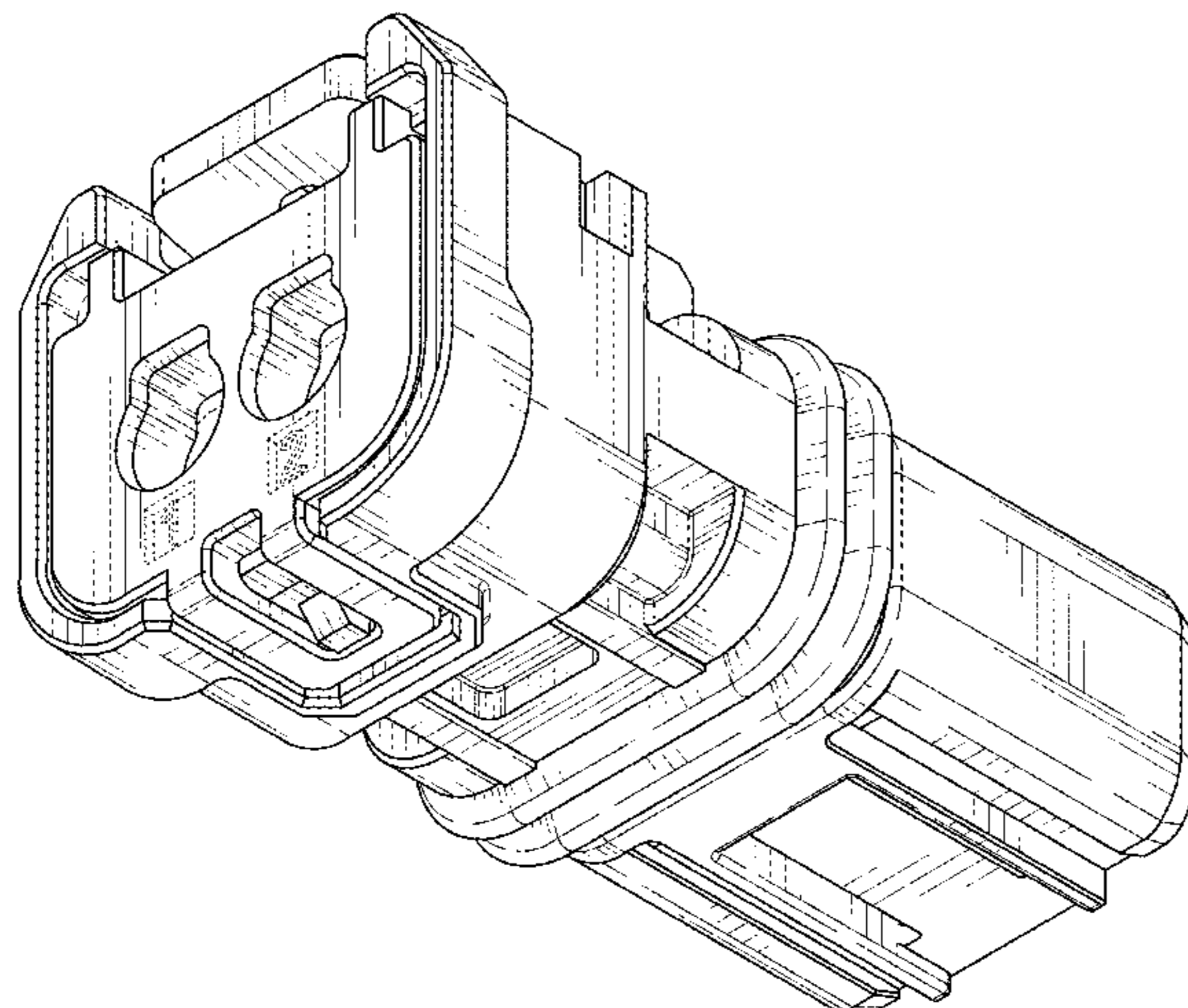


FIG. 24 is a left side elevational view thereof;
 FIG. 25 is a top plan view thereof;
 FIG. 26 is a bottom plan view thereof;
 FIG. 27 is a perspective view showing a front, top and right side thereof;
 FIG. 28 is a perspective view showing a rear, bottom and left side thereof;
 FIG. 29 is a perspective view showing a front, right and bottom side thereof;
 FIG. 30 is a perspective view showing a rear, left and top side thereof;
 FIG. 31 is a front elevational view of a connector showing a fourth embodiment of our new design;
 FIG. 32 is a rear elevational view thereof;
 FIG. 33 is a right side elevational view thereof;
 FIG. 34 is a left side elevational view thereof;
 FIG. 35 is a top plan view thereof;
 FIG. 36 is a bottom plan view thereof;
 FIG. 37 is a perspective view showing a front, top and right side thereof;
 FIG. 38 is a perspective view showing a rear, bottom and left side thereof;
 FIG. 39 is a perspective view showing a front, right and bottom side thereof; and,
 FIG. 40 is a perspective view showing a rear, left and top side thereof.

The broken line showing of the connector is for the purpose of illustrating portions of the article and forms no part of the claimed design.

1 Claim, 23 Drawing Sheets

(30) **Foreign Application Priority Data**

Dec. 18, 2017 (JP) 2017-028131
 Dec. 18, 2017 (JP) 2017-028132

(58) **Field of Classification Search**

CPC H01R 24/62; H01R 13/7039; H01R 27/00;
 H01R 2201/04; H01R 2201/16
 See application file for complete search history.

(56) **References Cited**

U.S. PATENT DOCUMENTS

D351,587 S *	10/1994	Puchammer	D13/133
D485,237 S *	1/2004	Hwang	D13/123
D485,238 S *	1/2004	Hwang	D13/123
D524,736 S *	7/2006	Morita	D13/133
D573,949 S *	7/2008	Taira	D13/133
D589,884 S *	4/2009	Arai	D13/133
D687,381 S *	8/2013	Yang	D13/133
D689,821 S *	9/2013	Yang	D13/133
D746,232 S *	12/2015	Chen	D13/133
D751,042 S *	3/2016	Ebisawa	D13/154
D798,237 S *	9/2017	Peng	D13/133

* cited by examiner

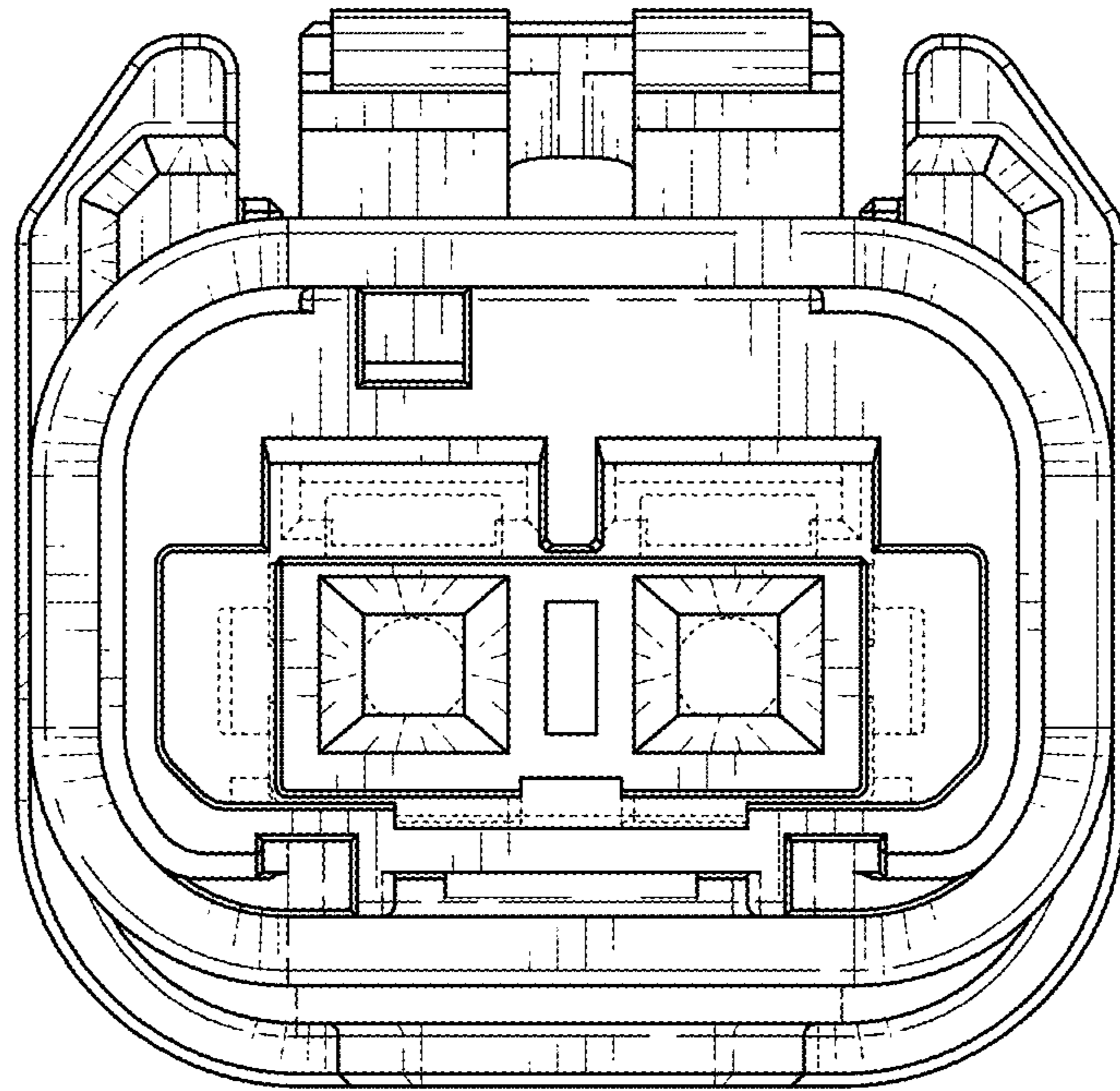


FIG. 1

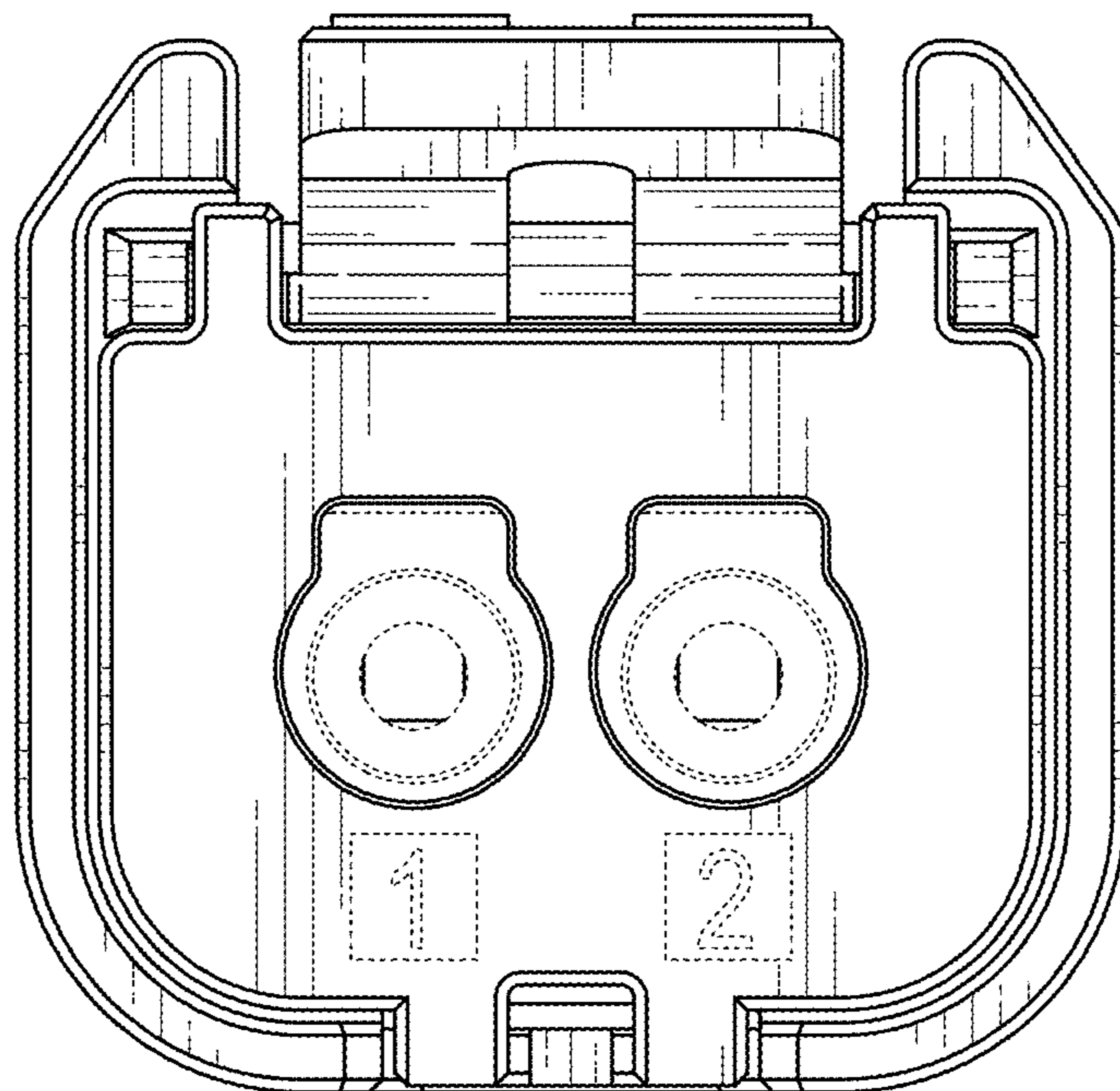


FIG. 2

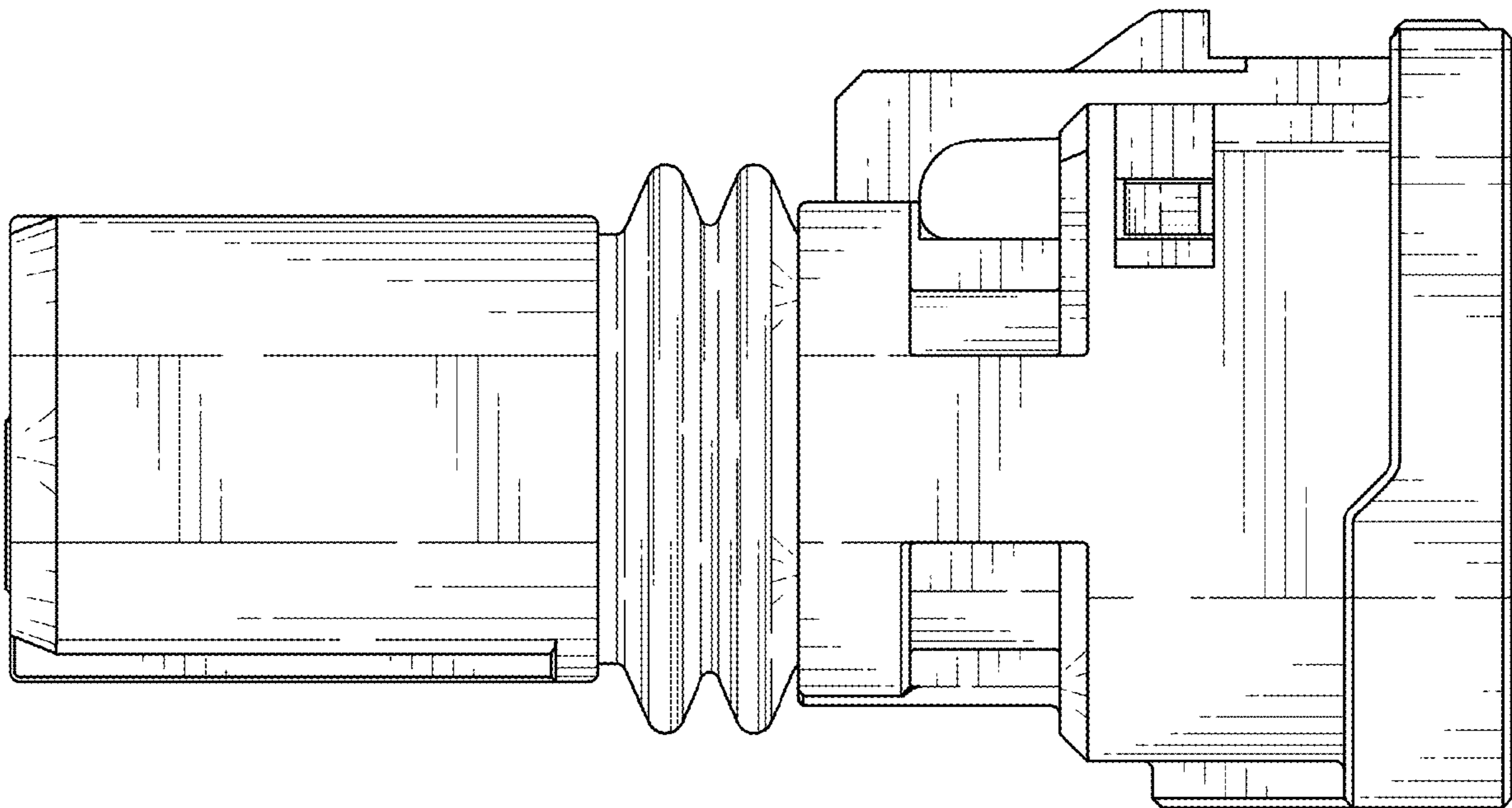


FIG. 3

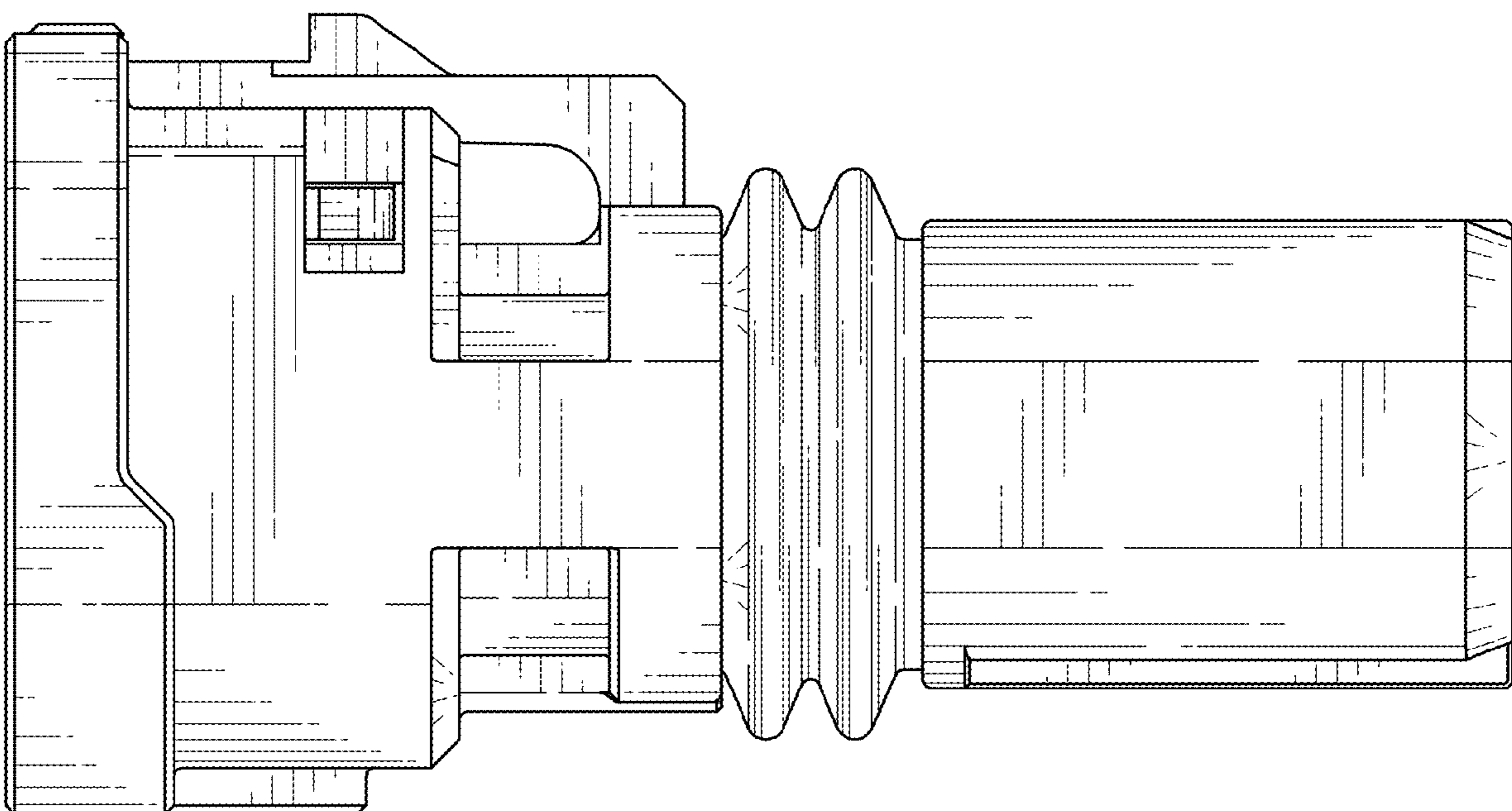


FIG. 4

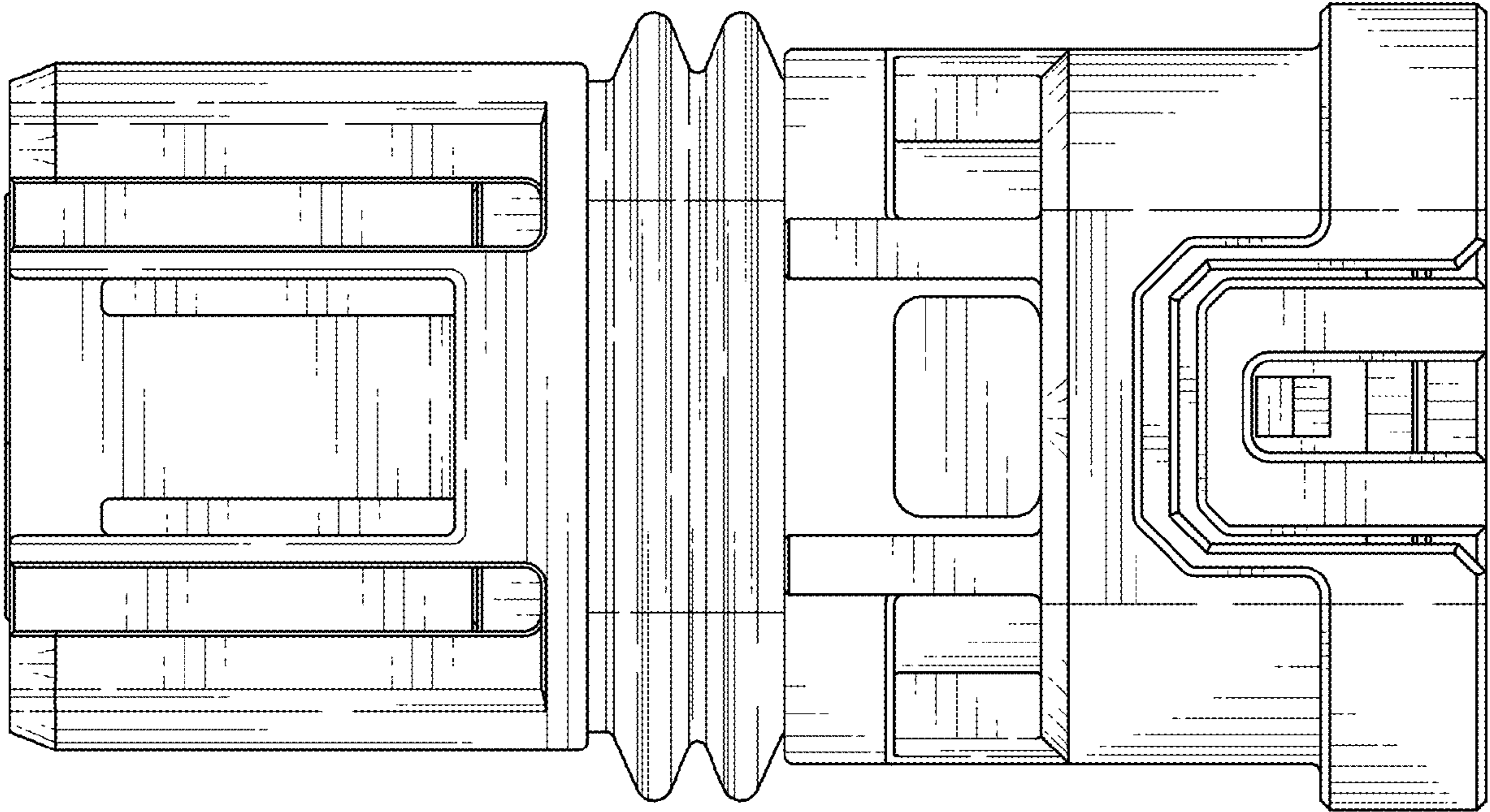


FIG. 6

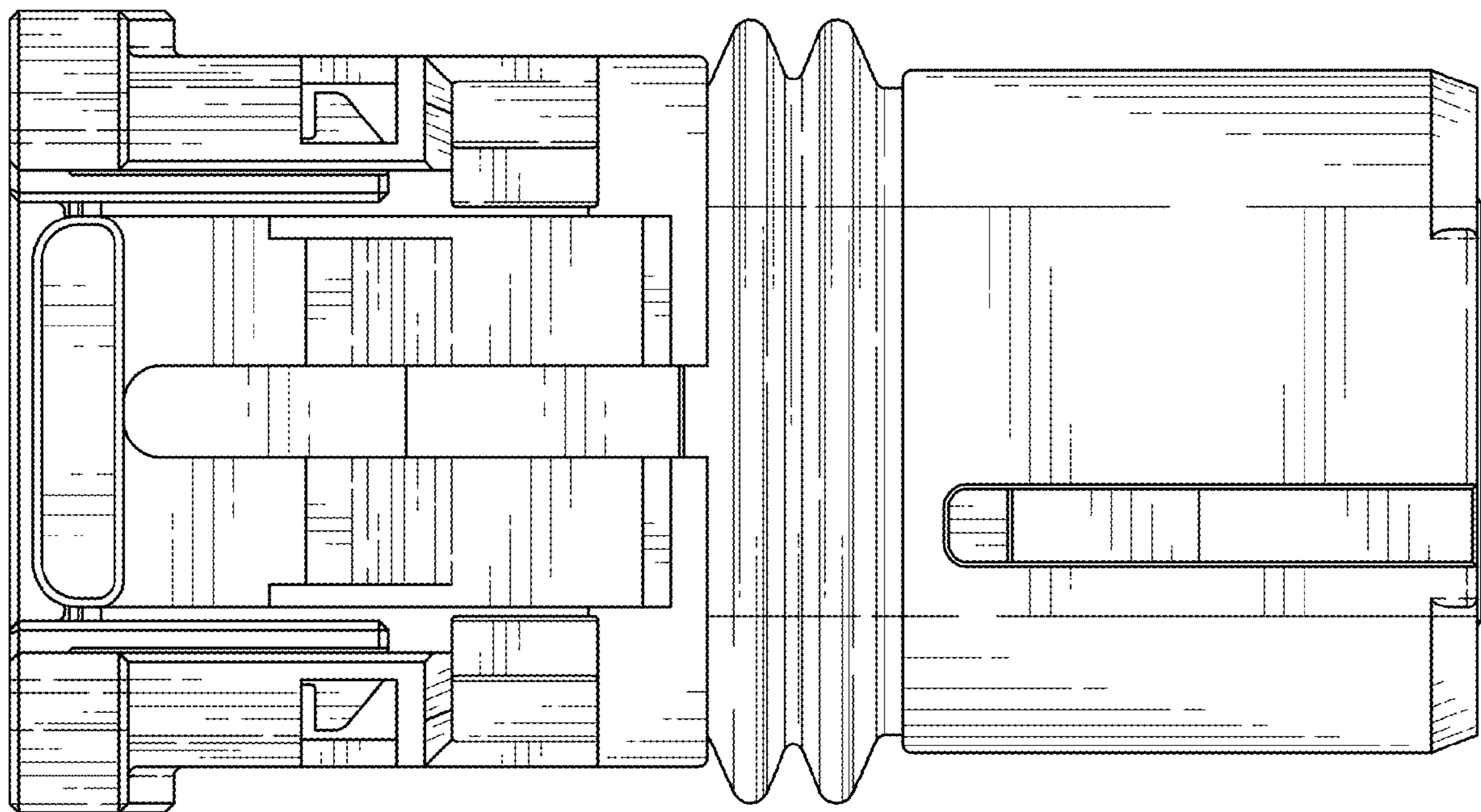


FIG. 5

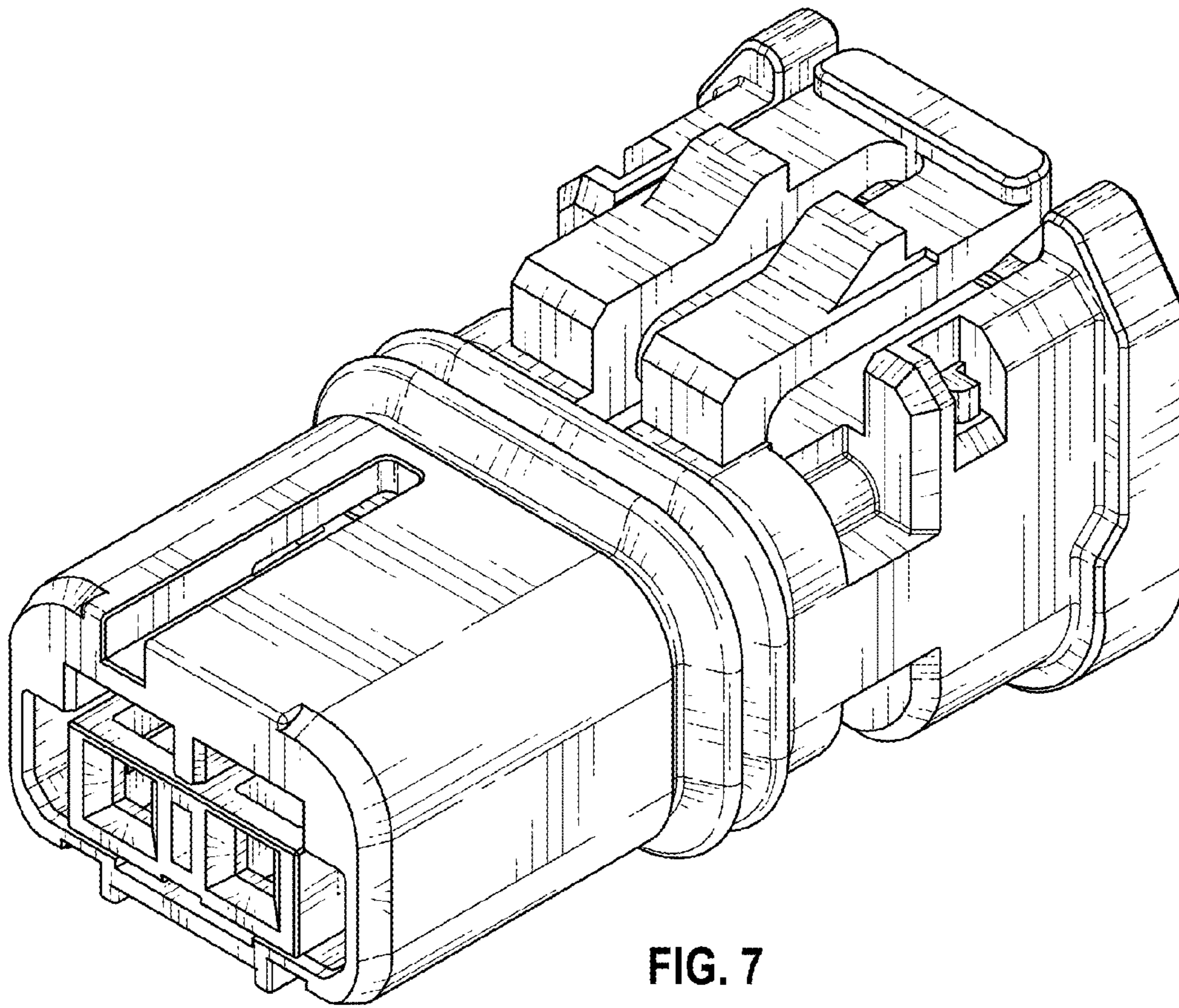


FIG. 7

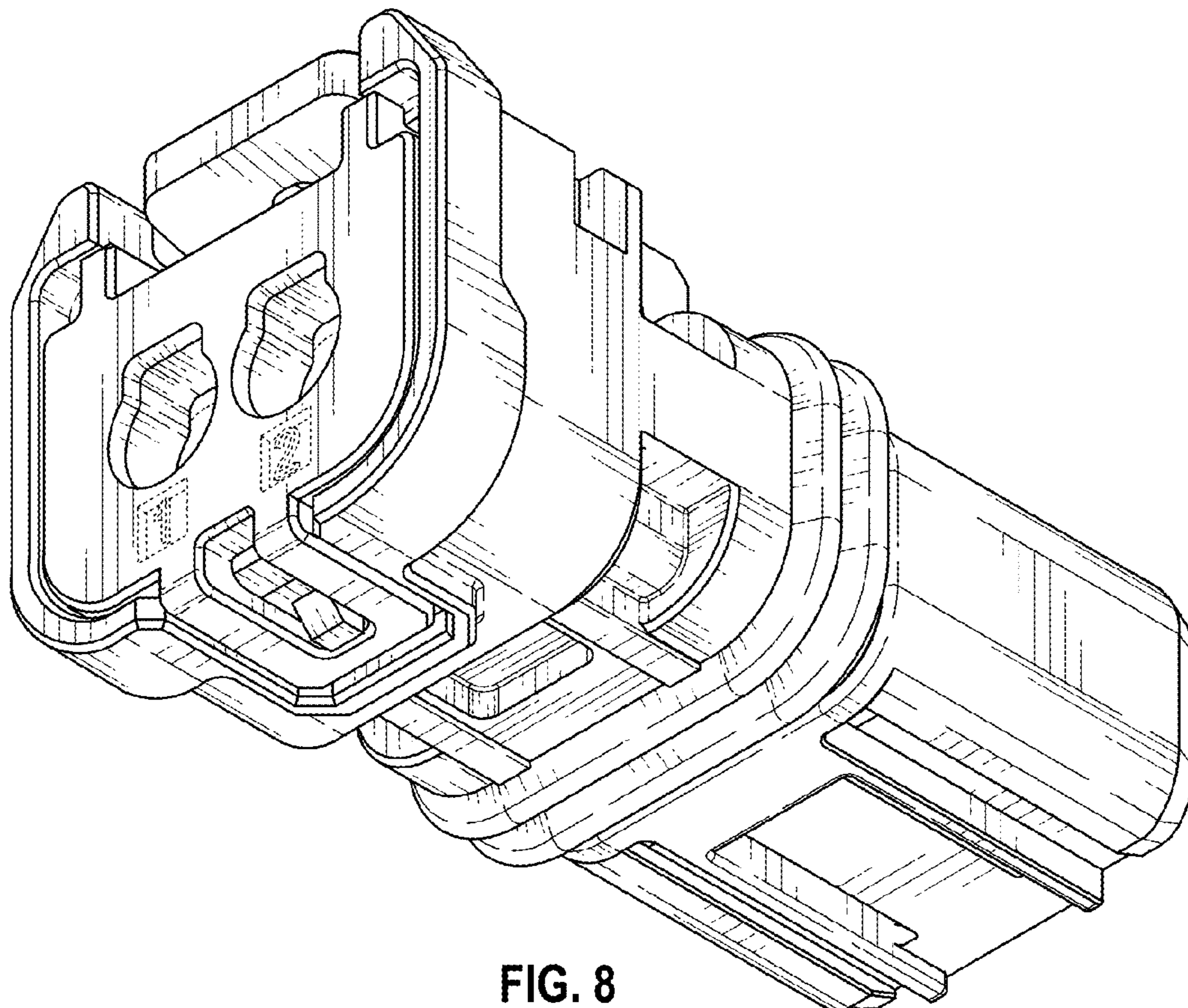


FIG. 8

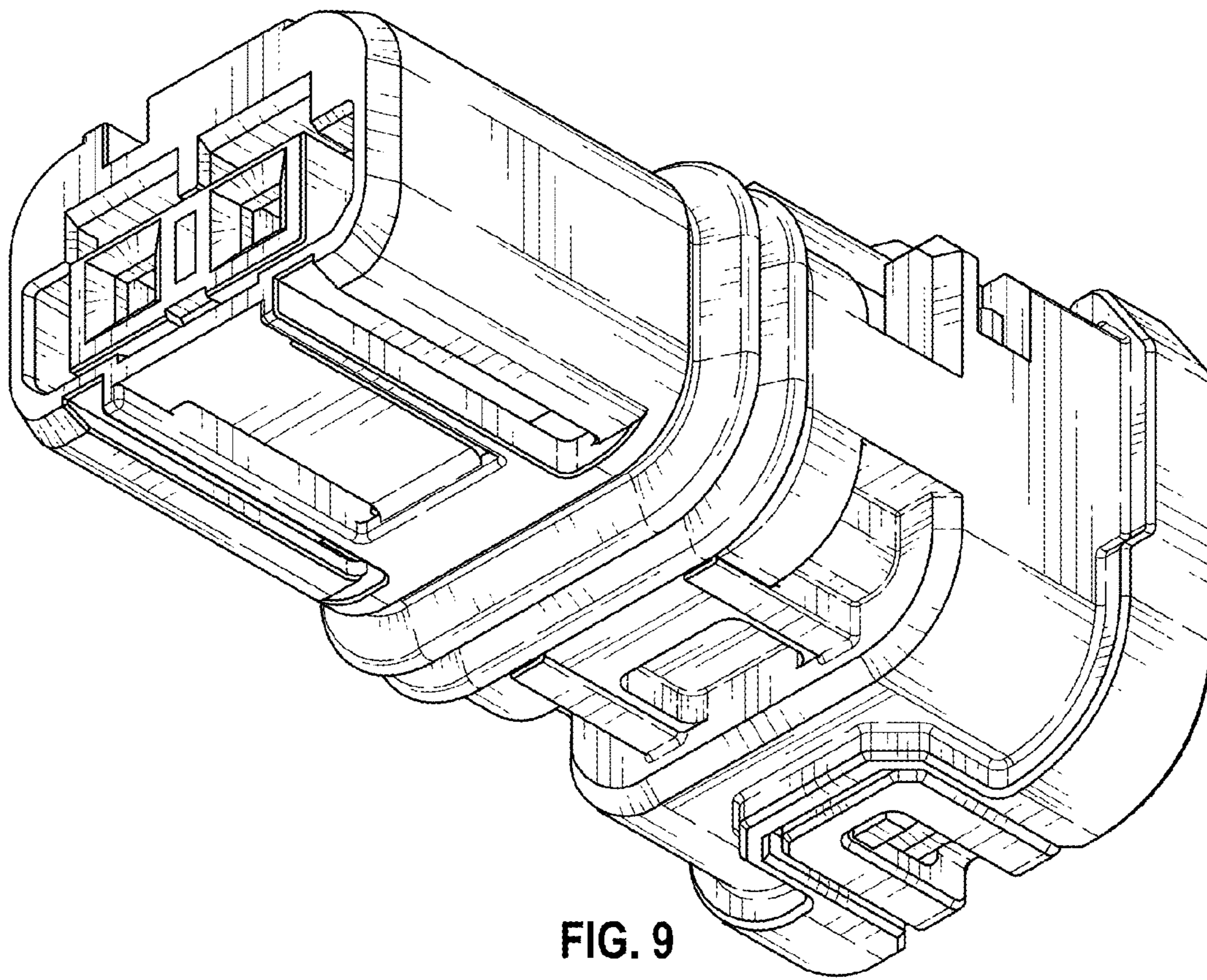


FIG. 9

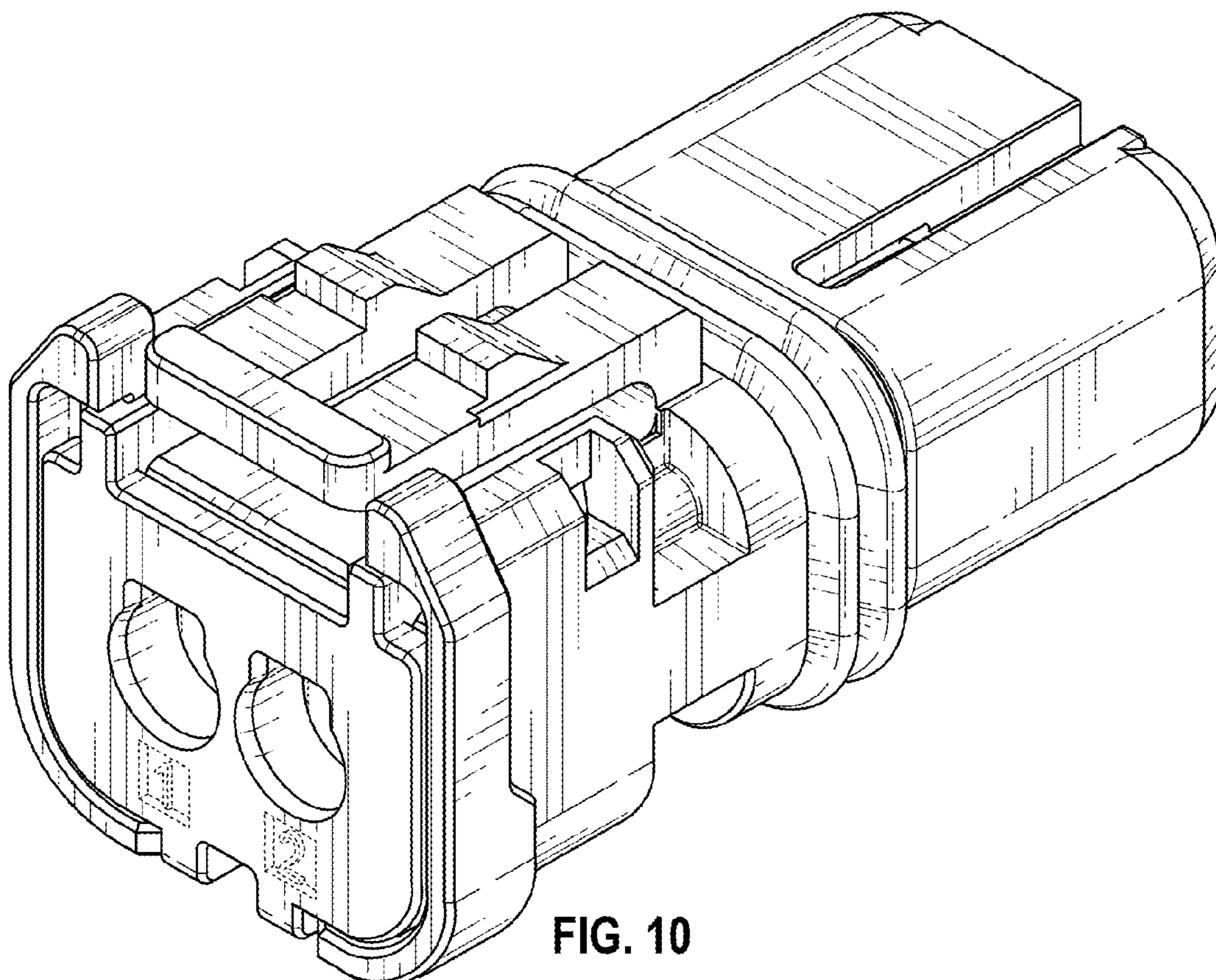


FIG. 10

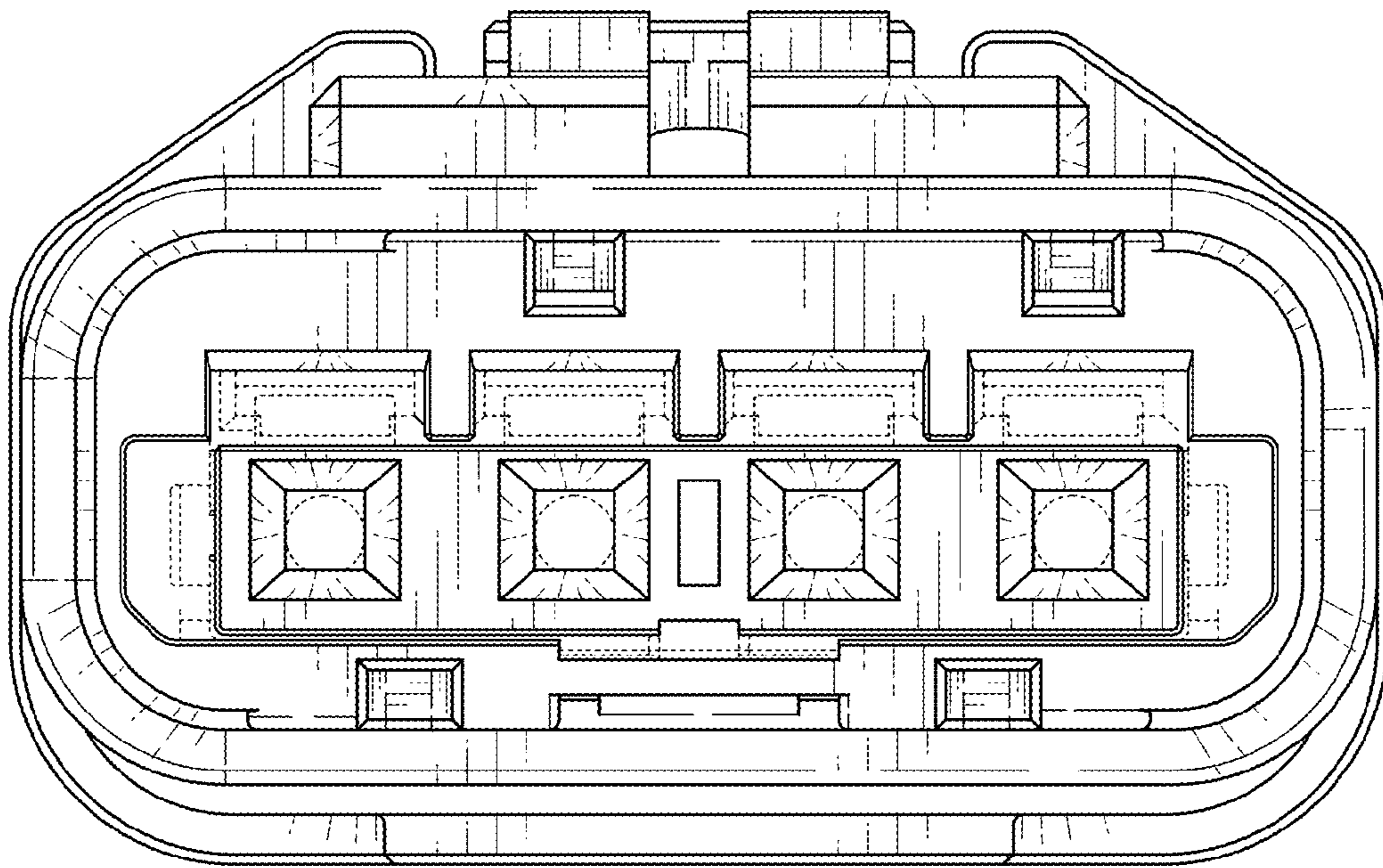


FIG. 11

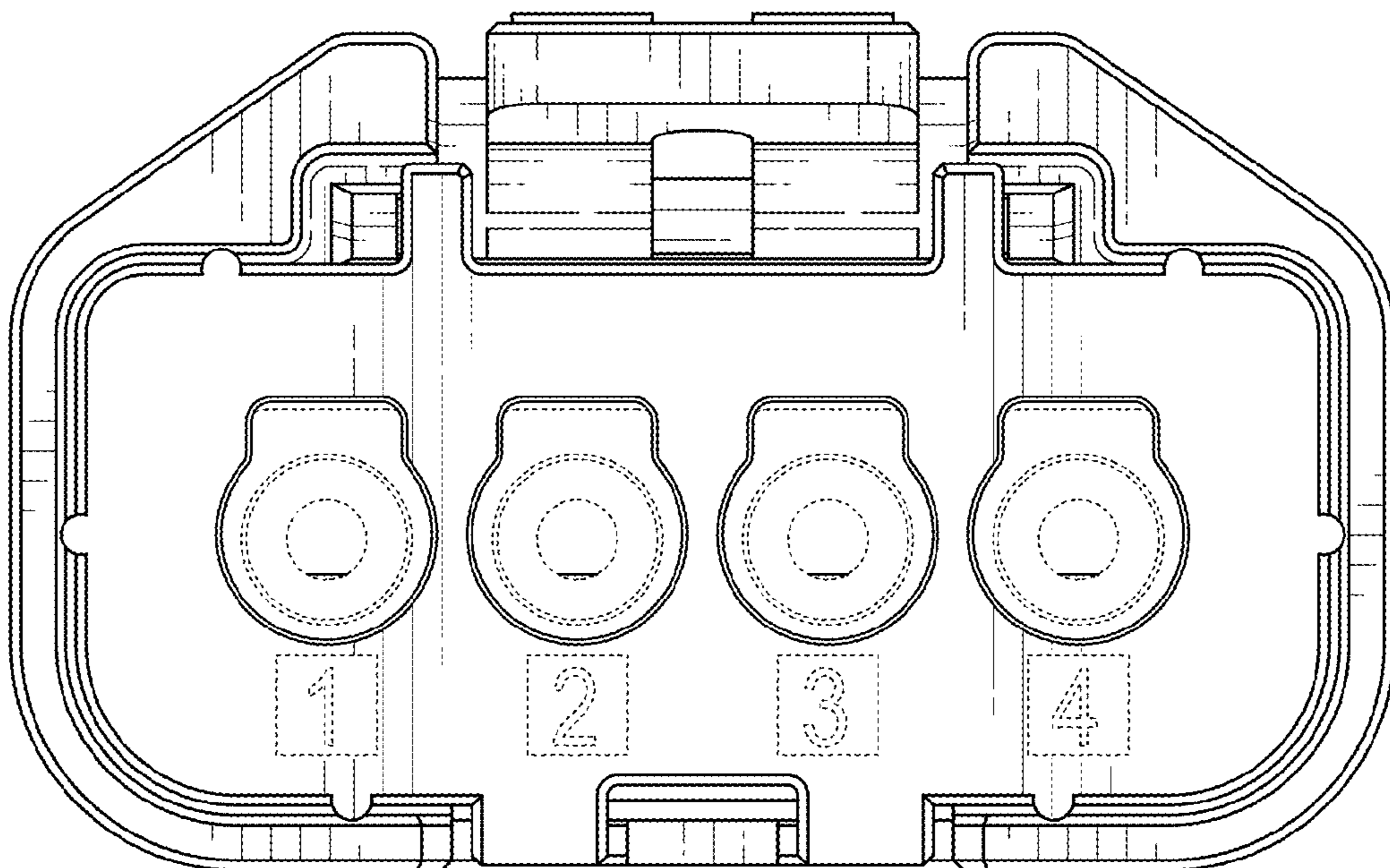


FIG. 12

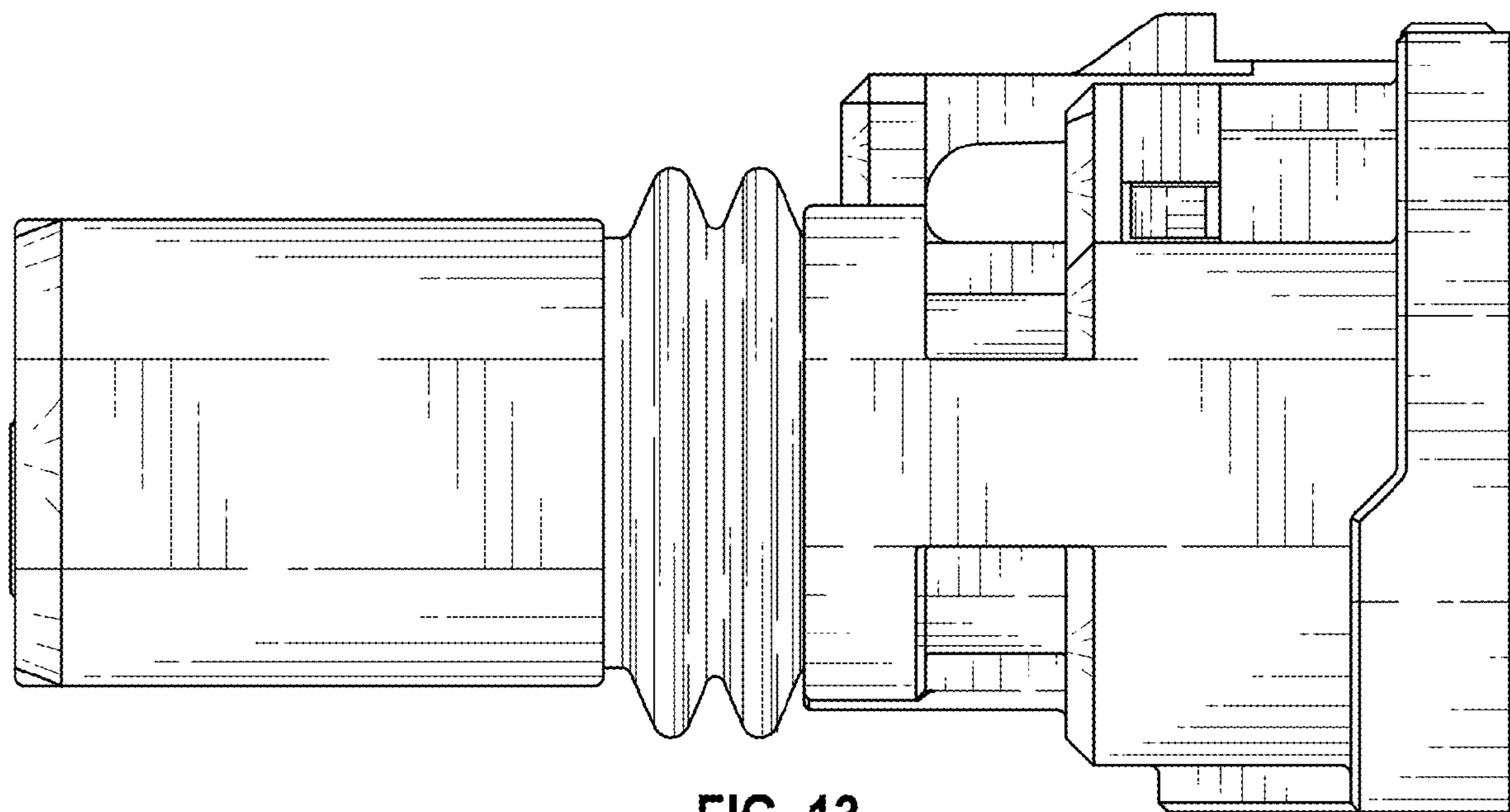


FIG. 13

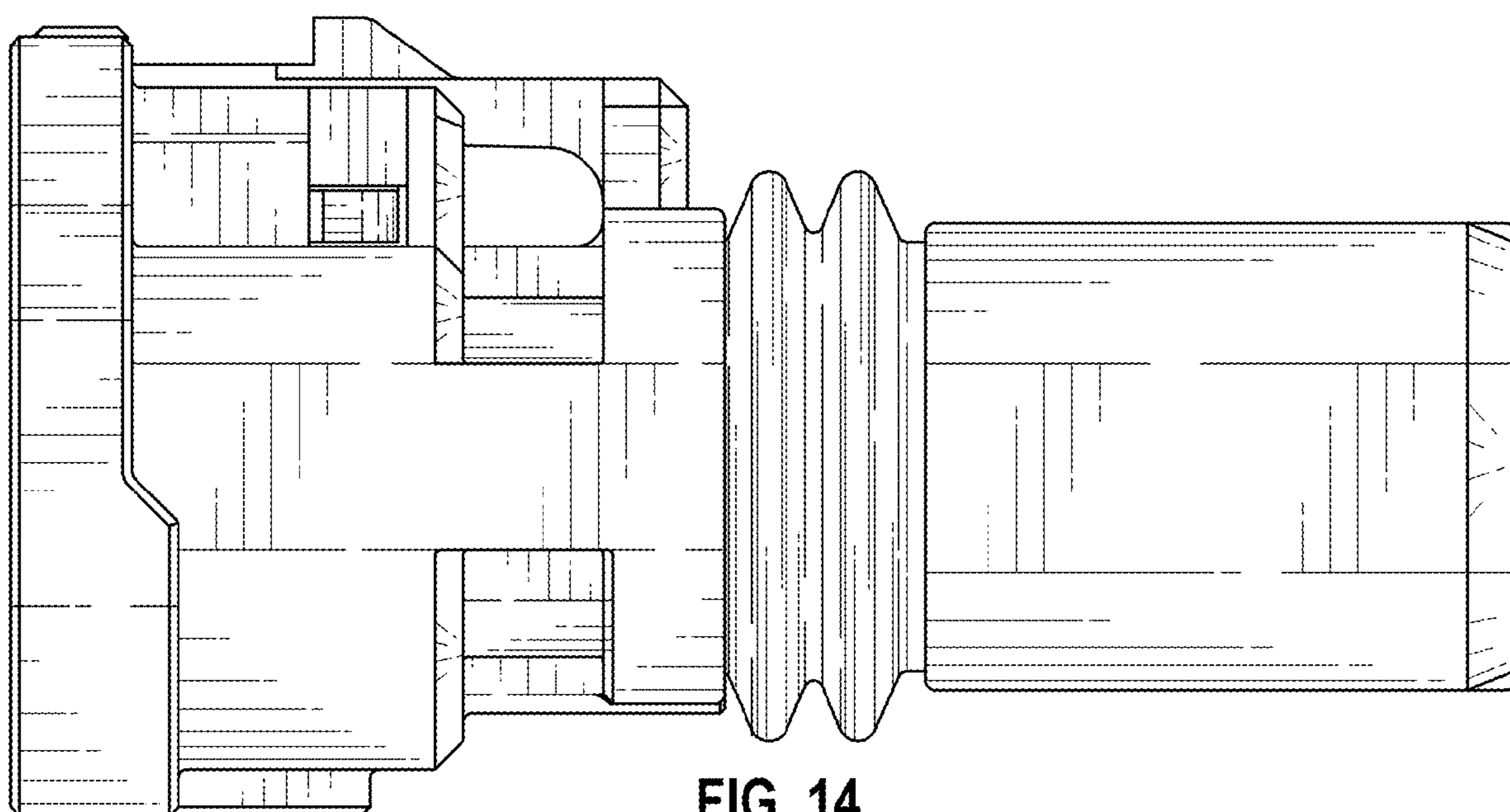


FIG. 14



FIG. 15

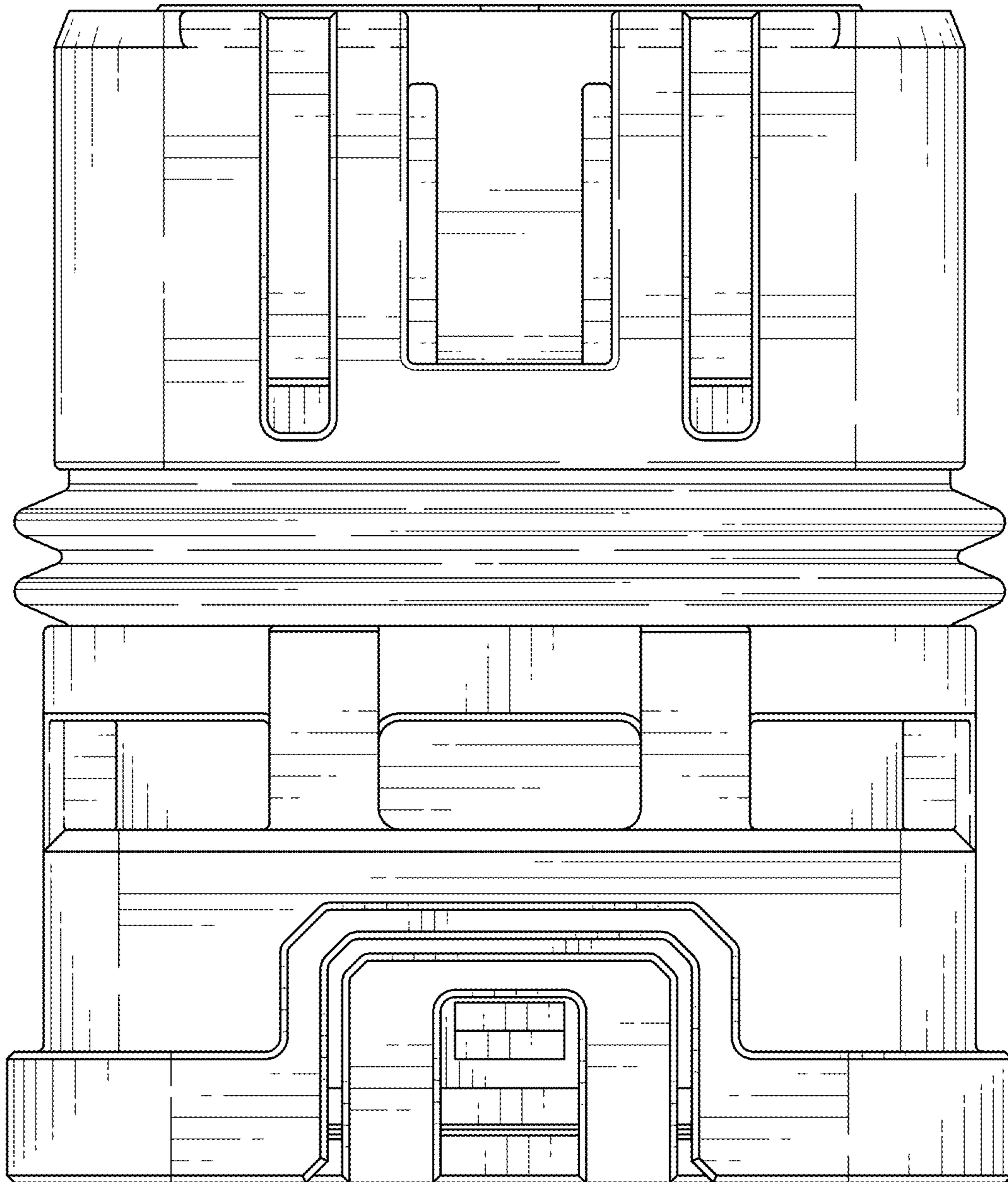


FIG. 16

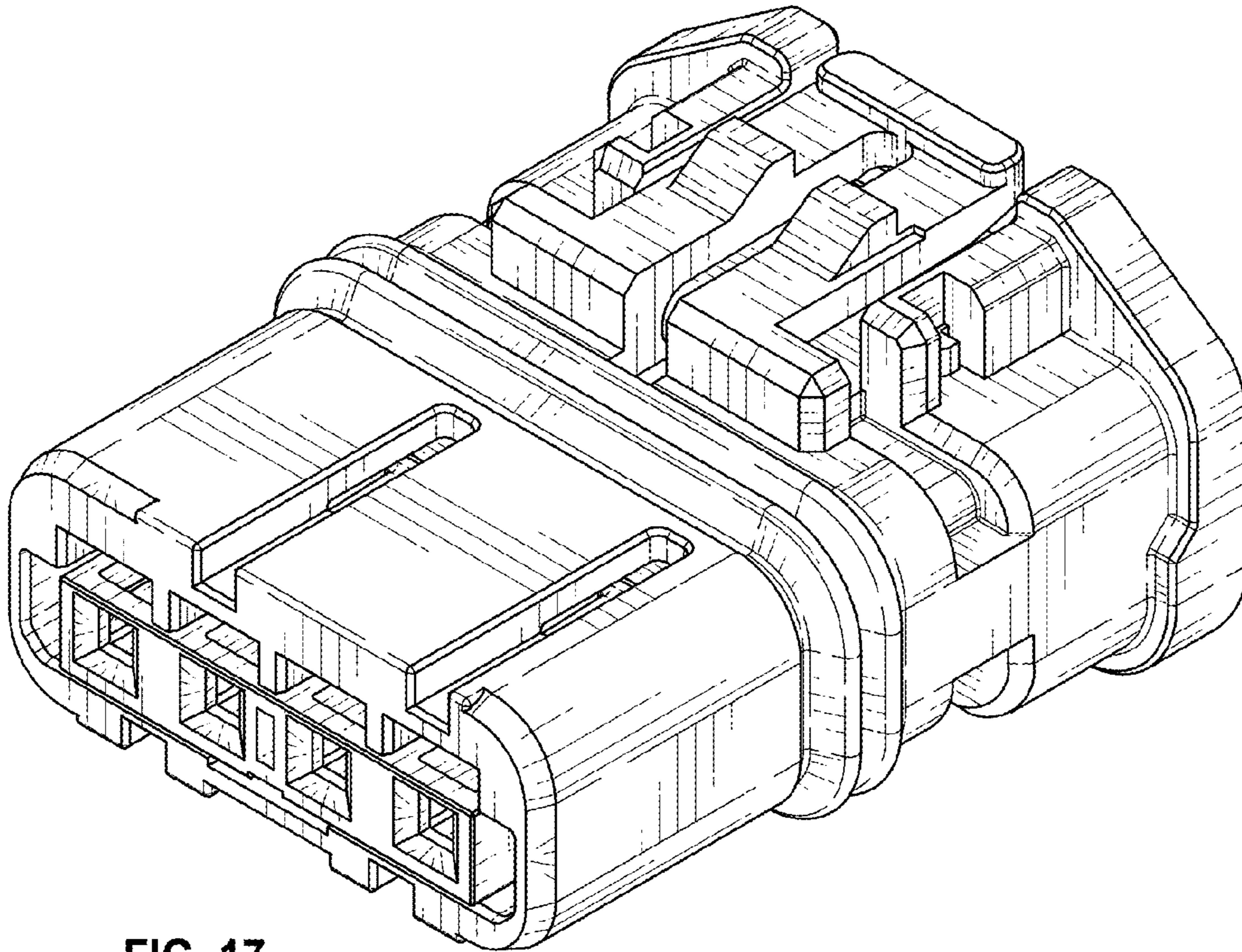


FIG. 17

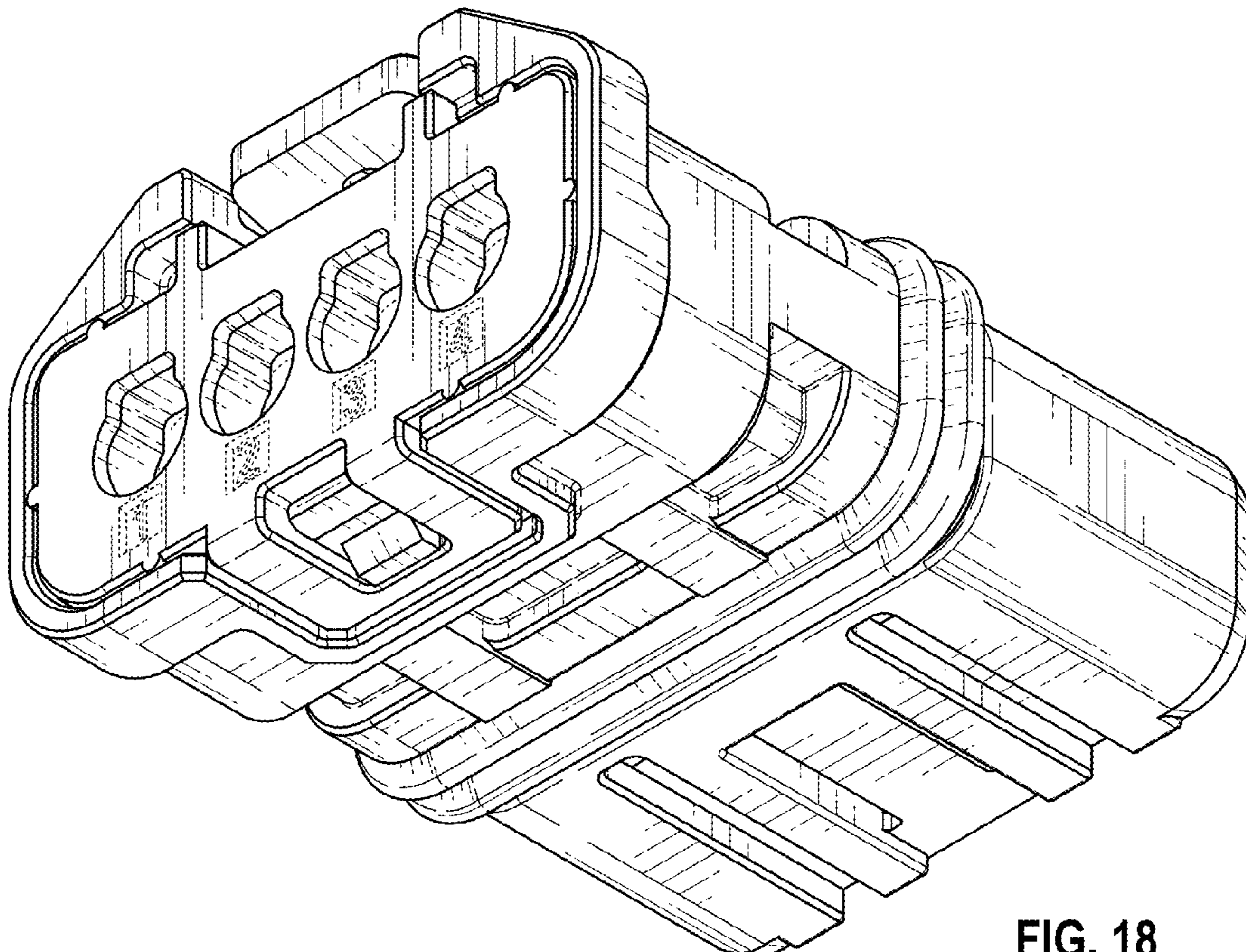


FIG. 18

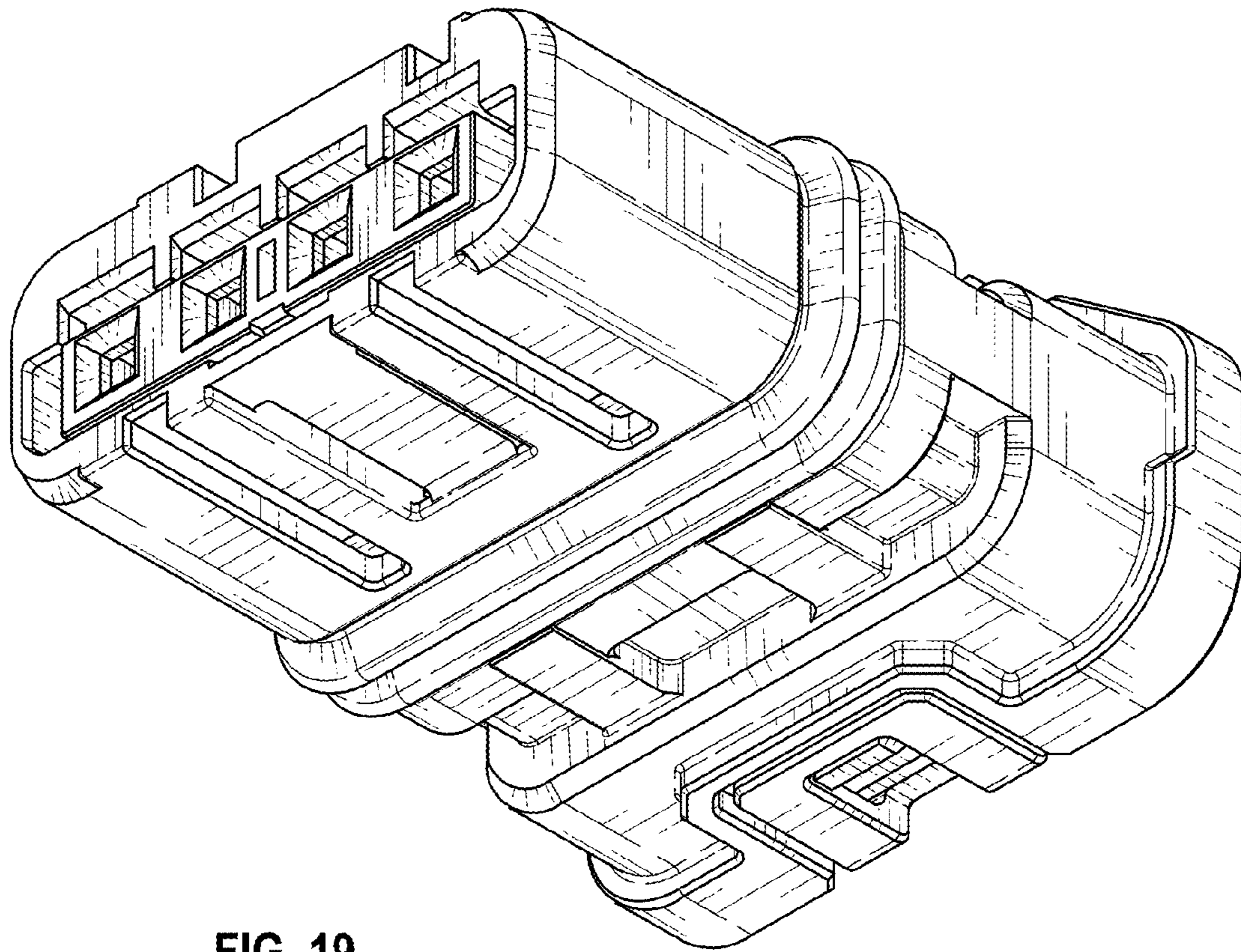


FIG. 19

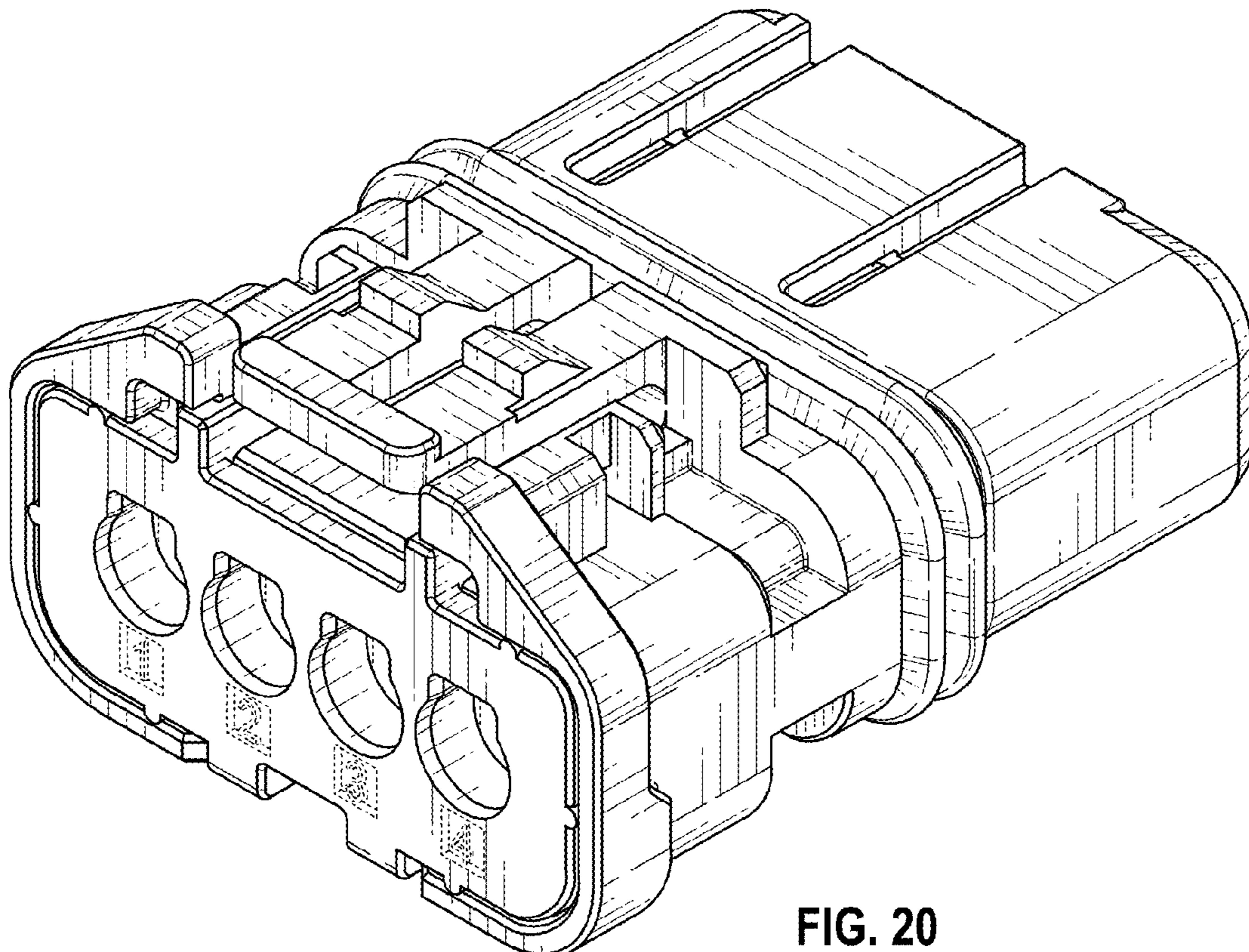


FIG. 20

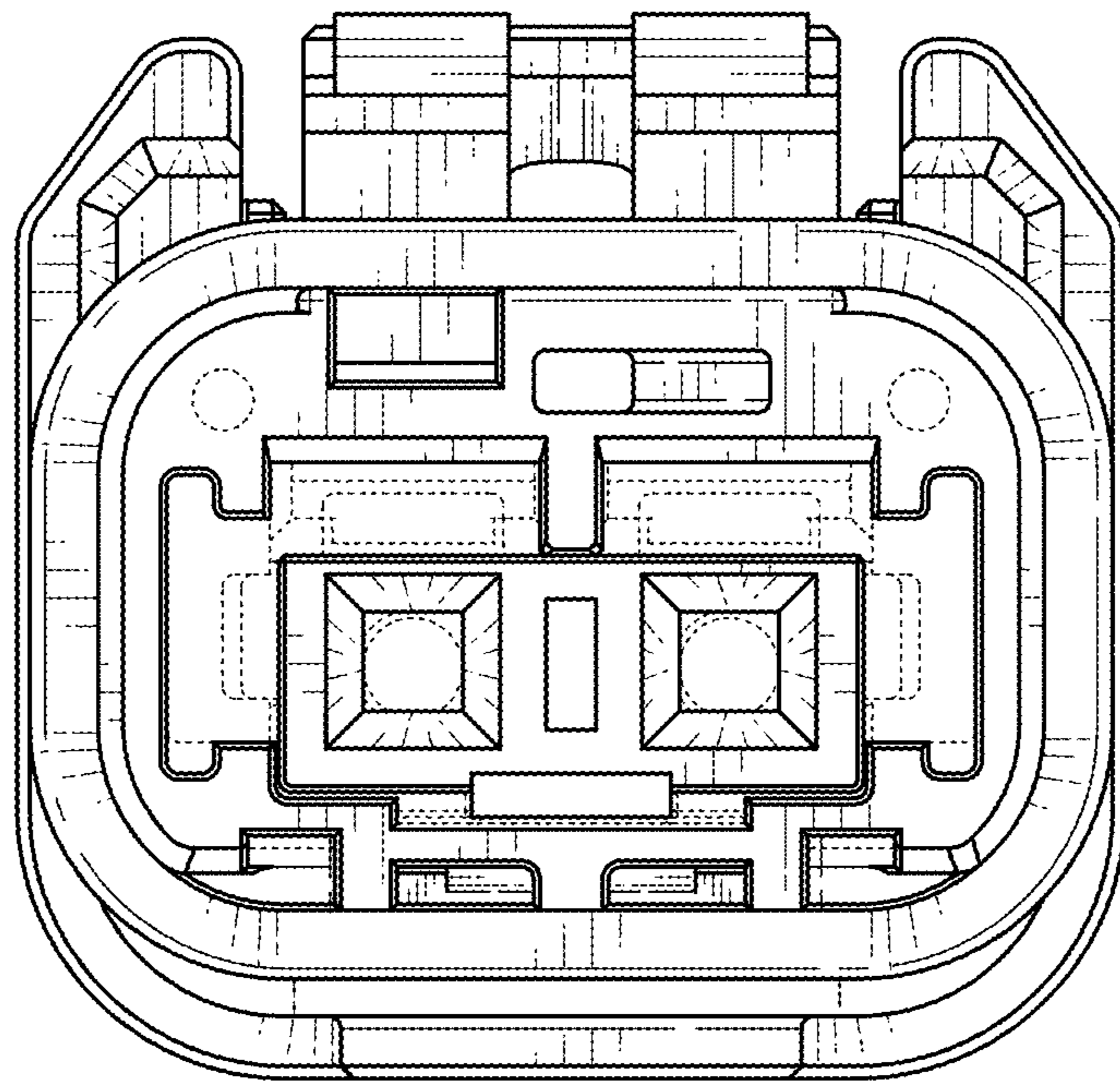


FIG. 21

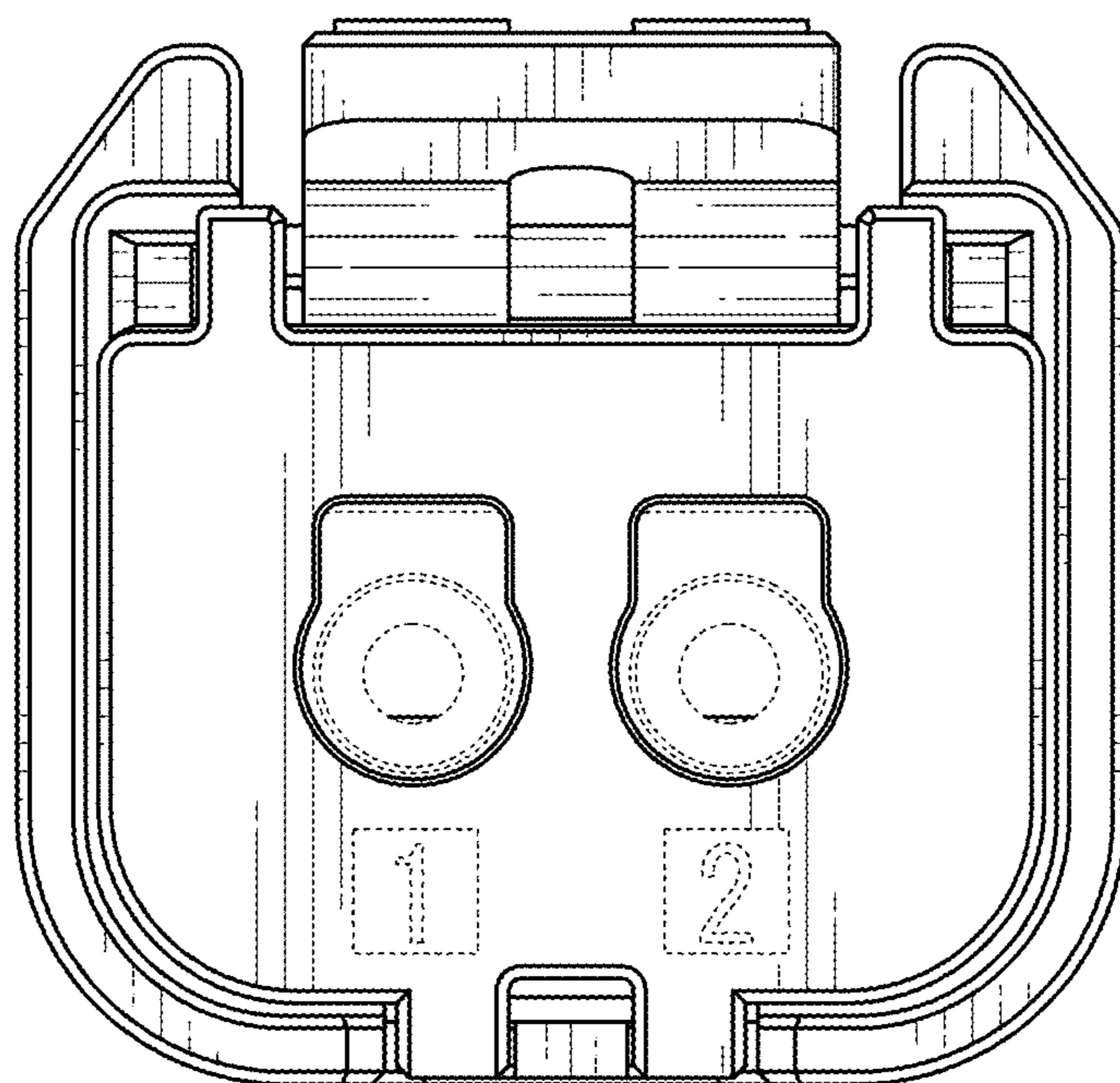


FIG. 22

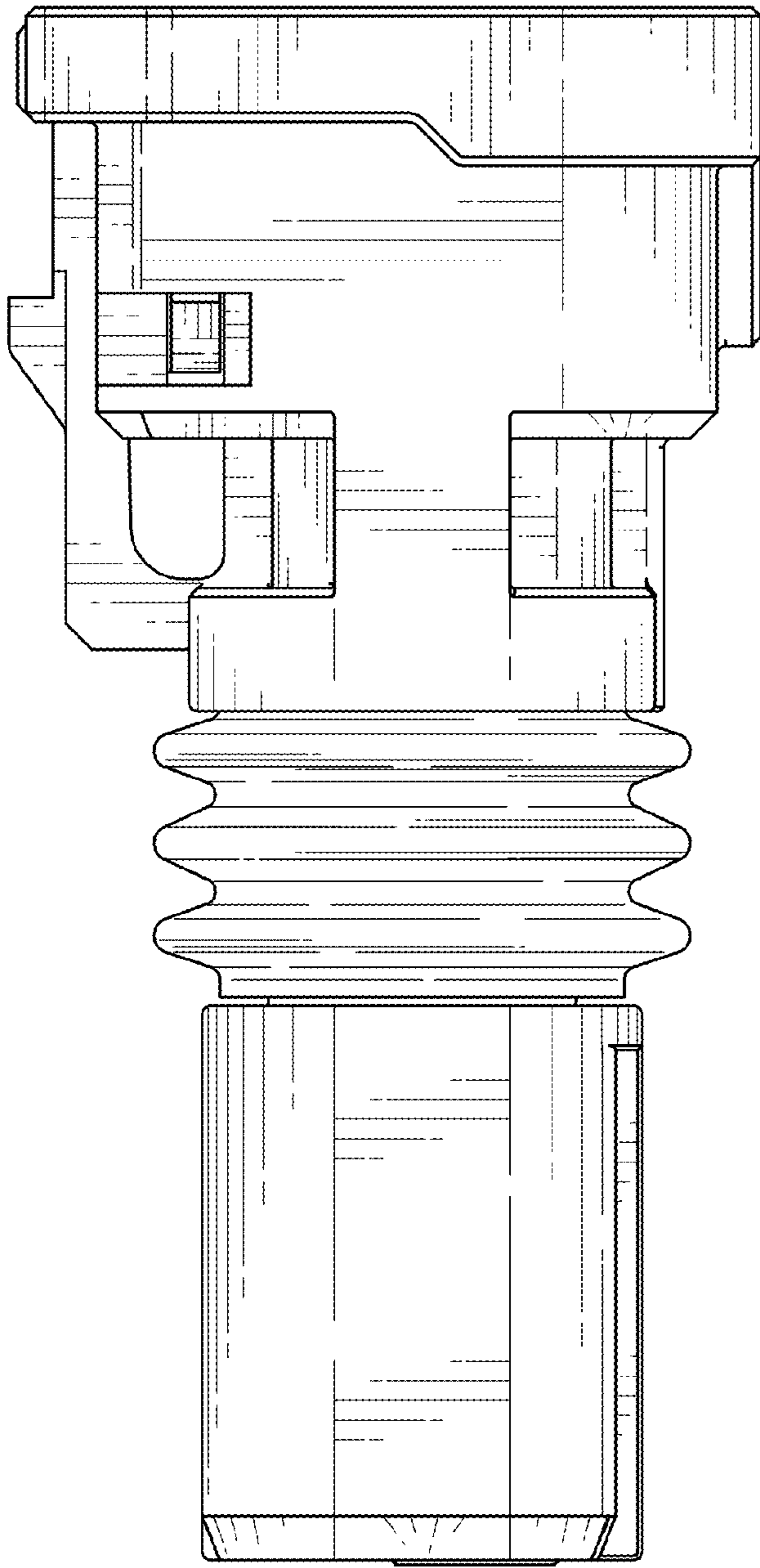


FIG. 23

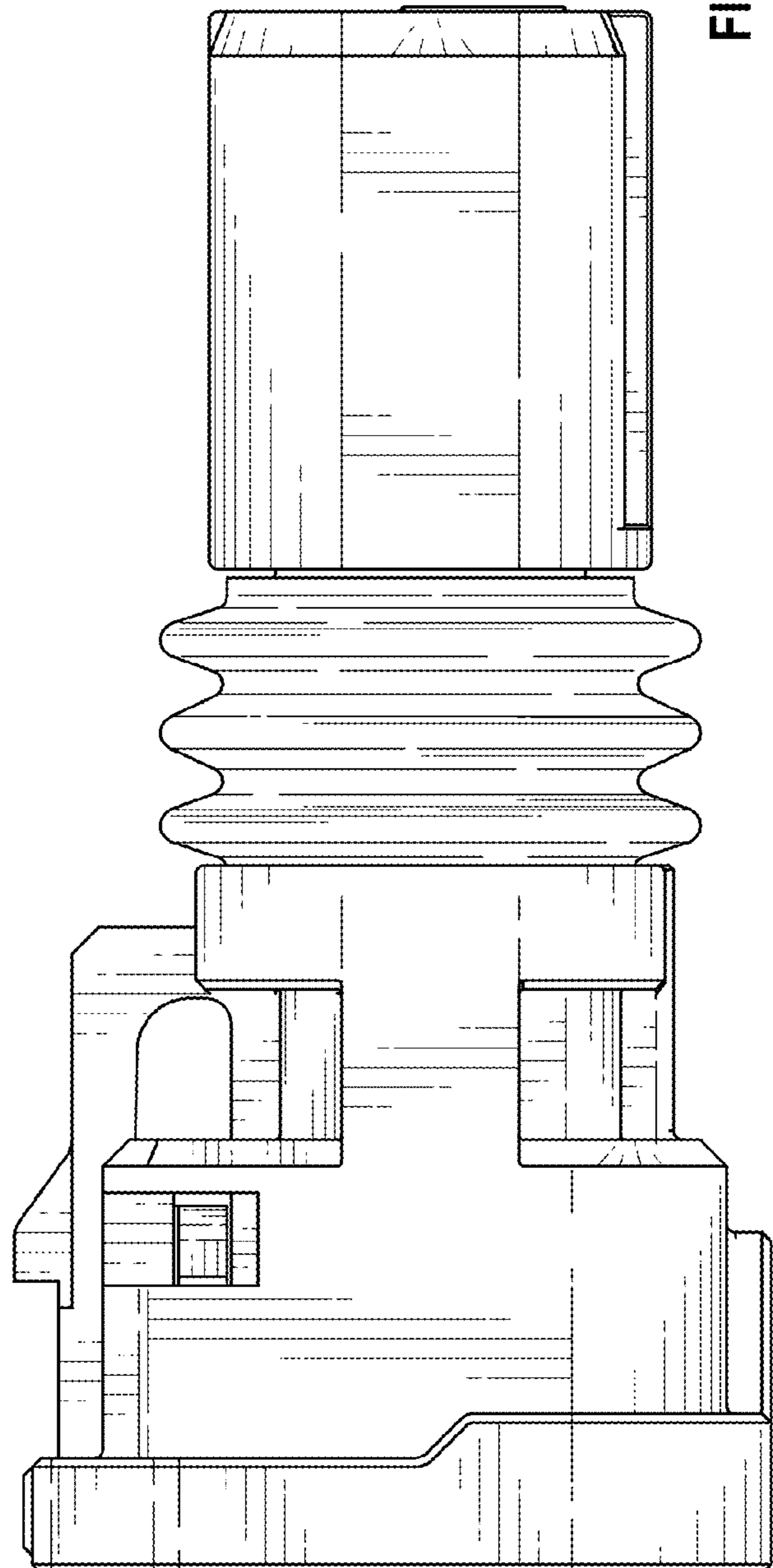


FIG. 24

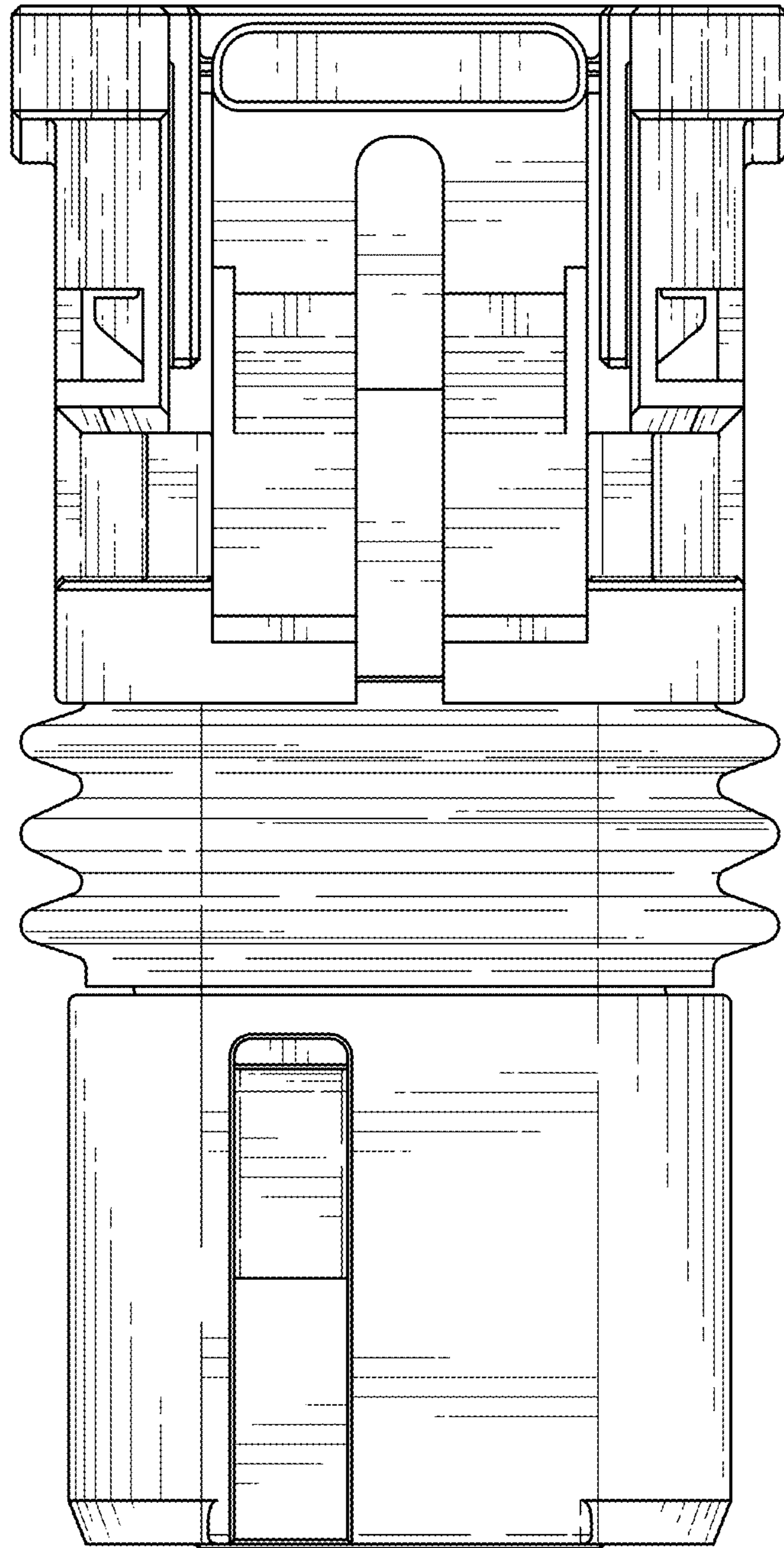


FIG. 25

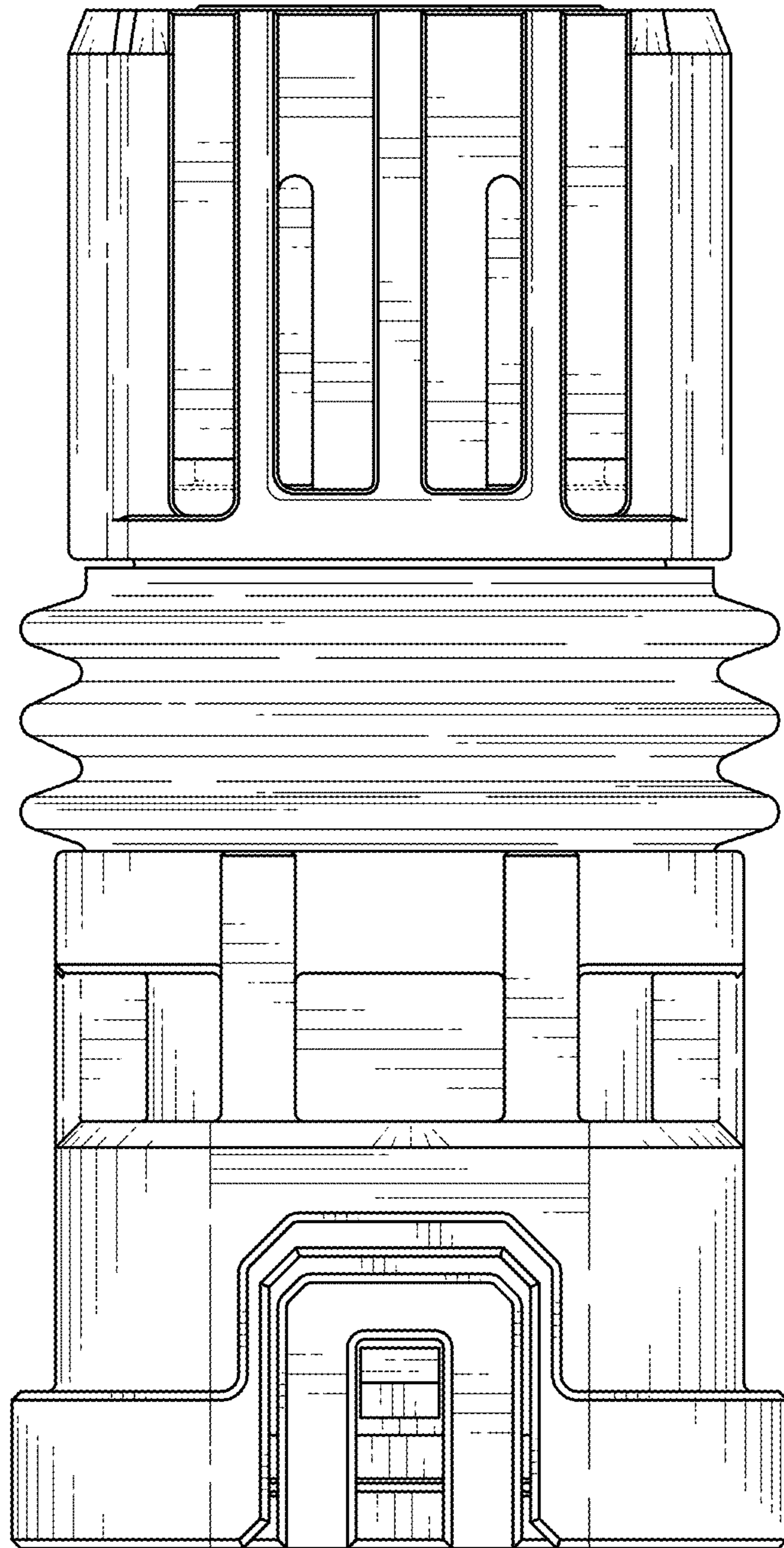


FIG. 26

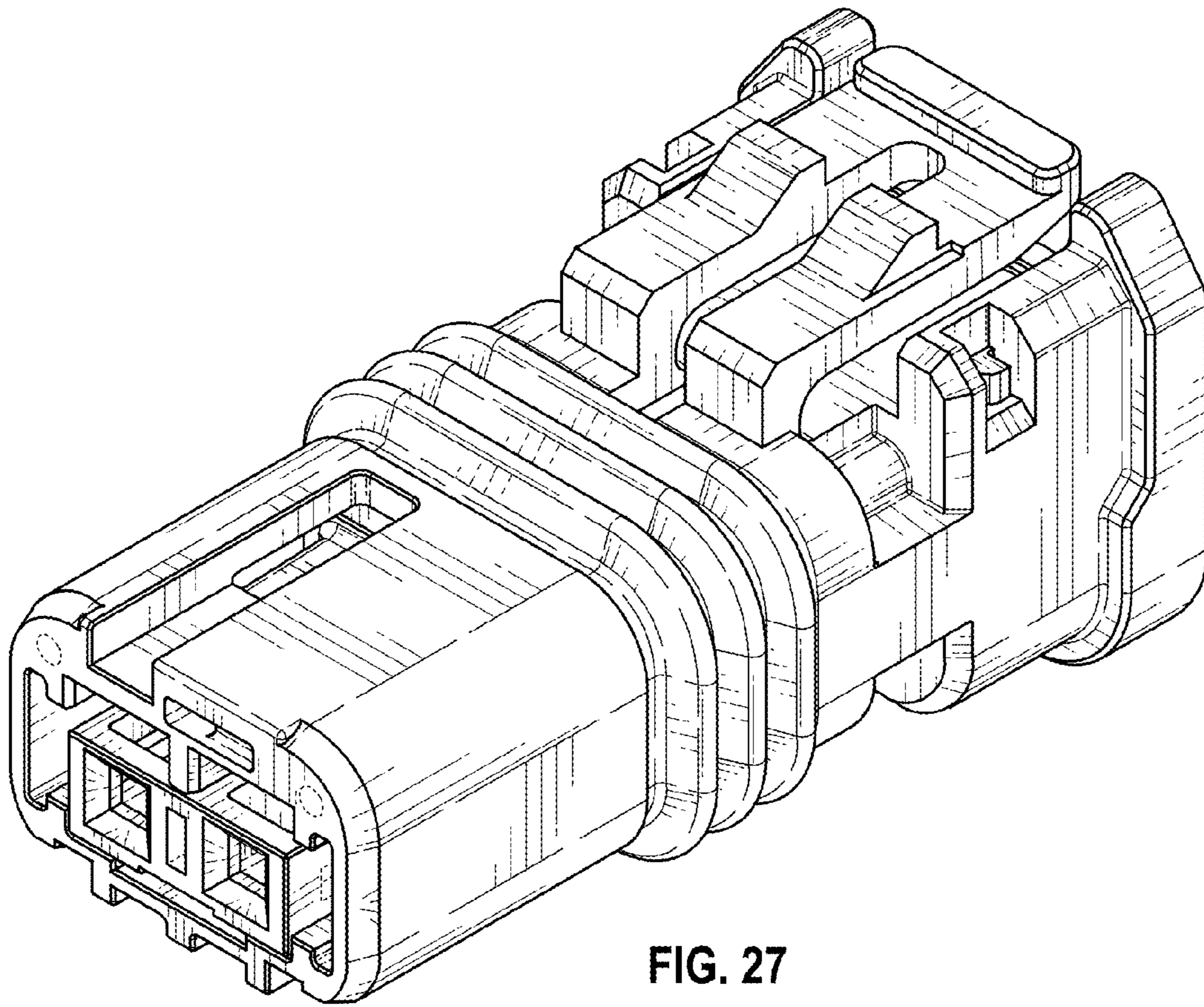


FIG. 27

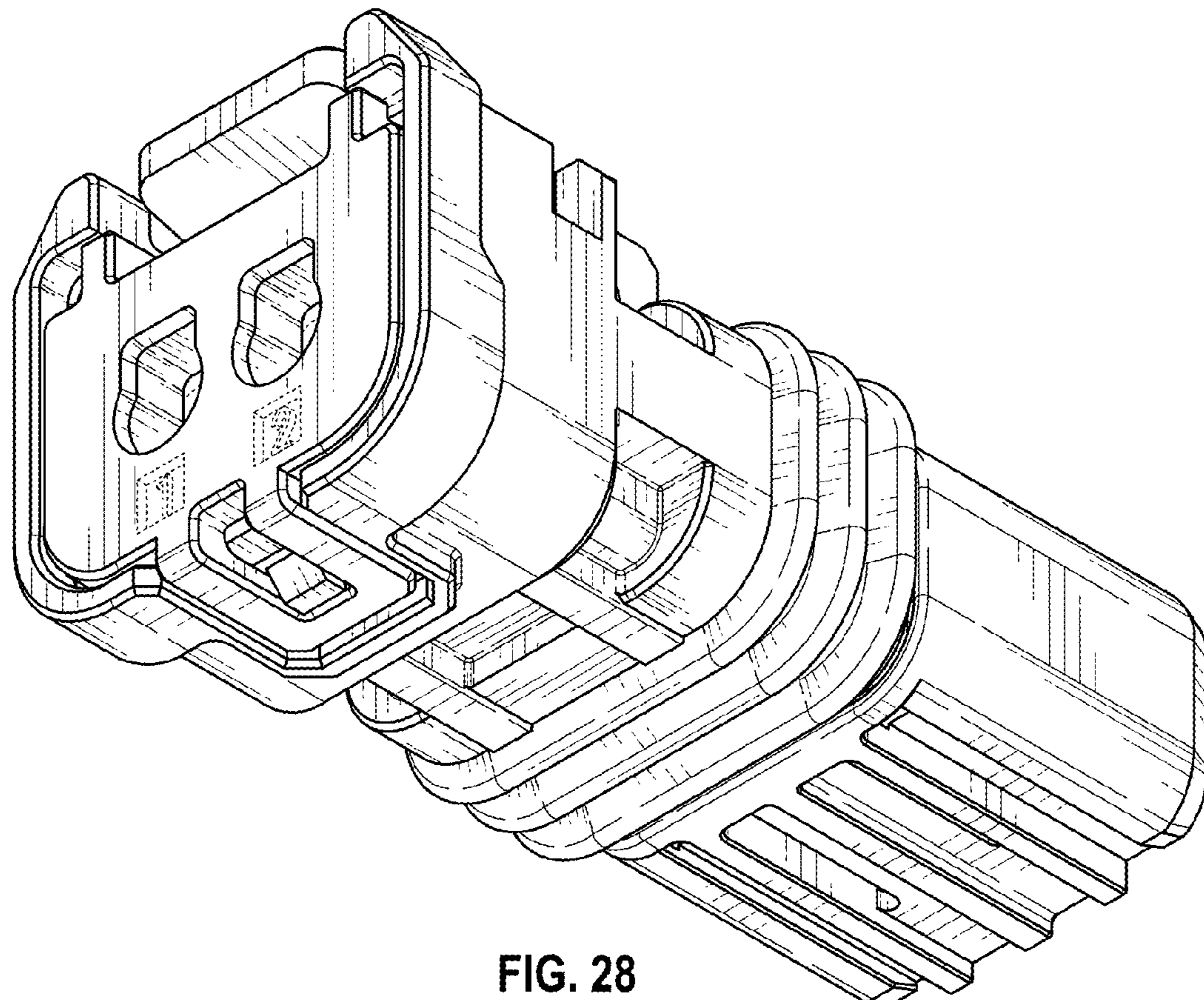


FIG. 28

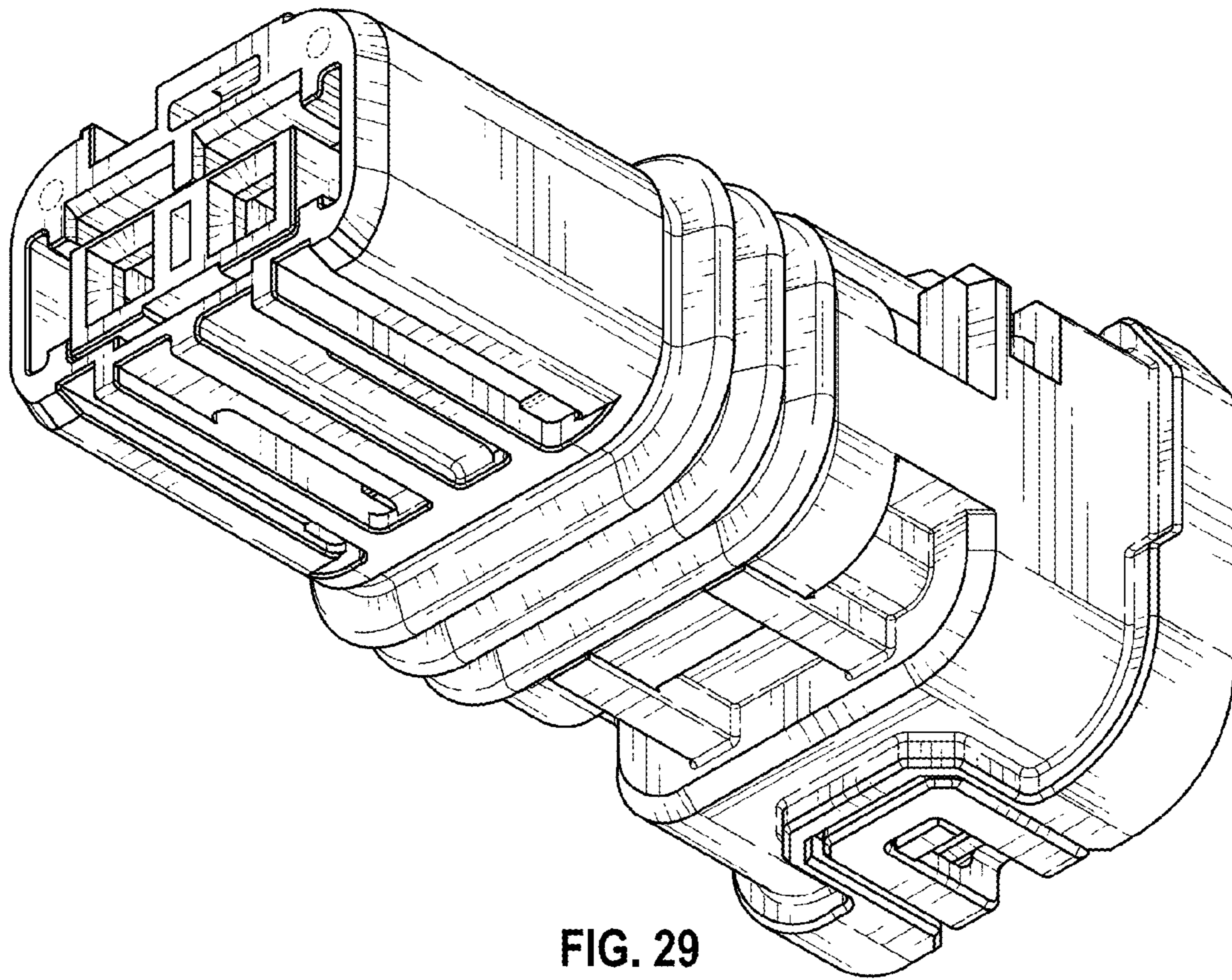


FIG. 29

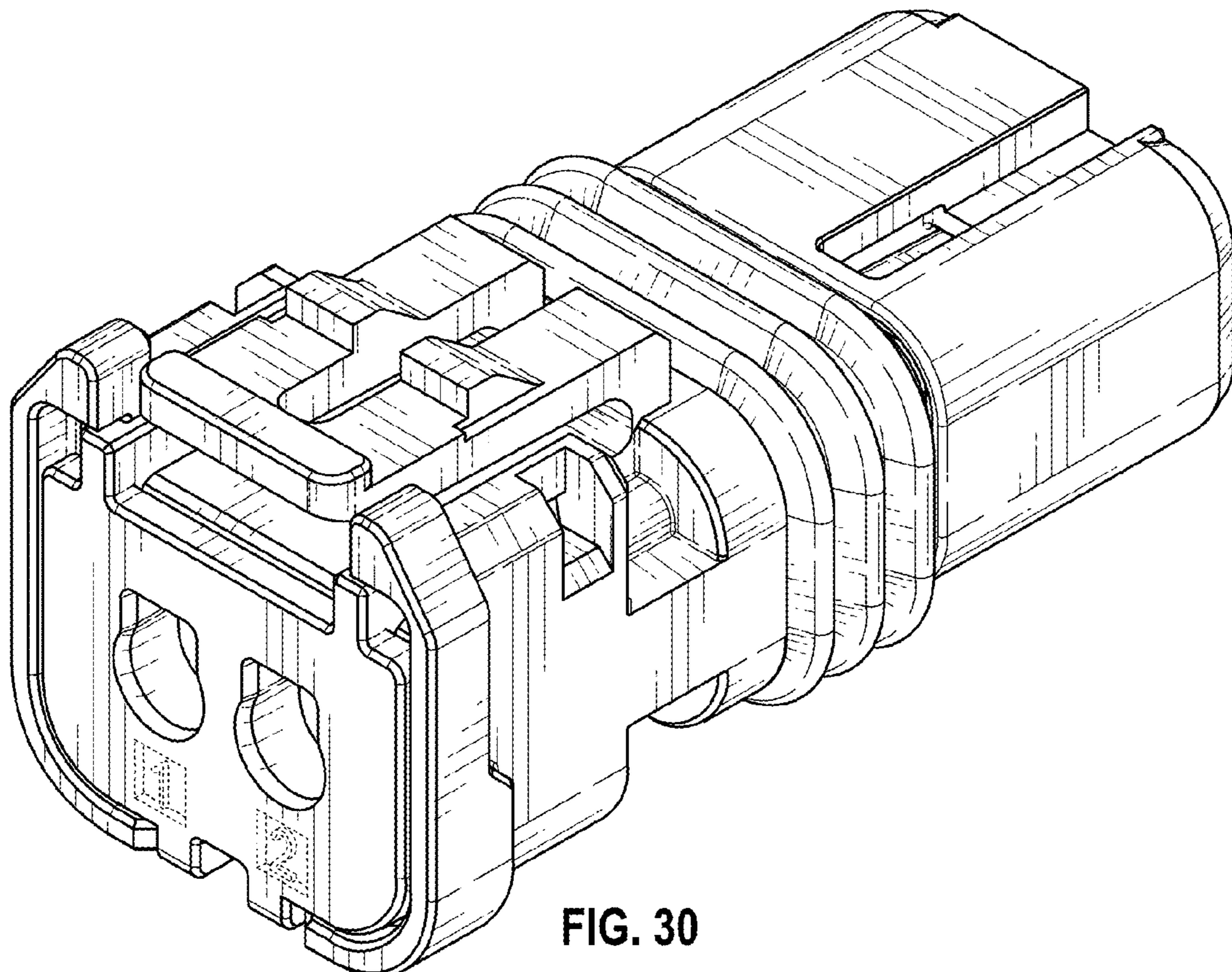


FIG. 30

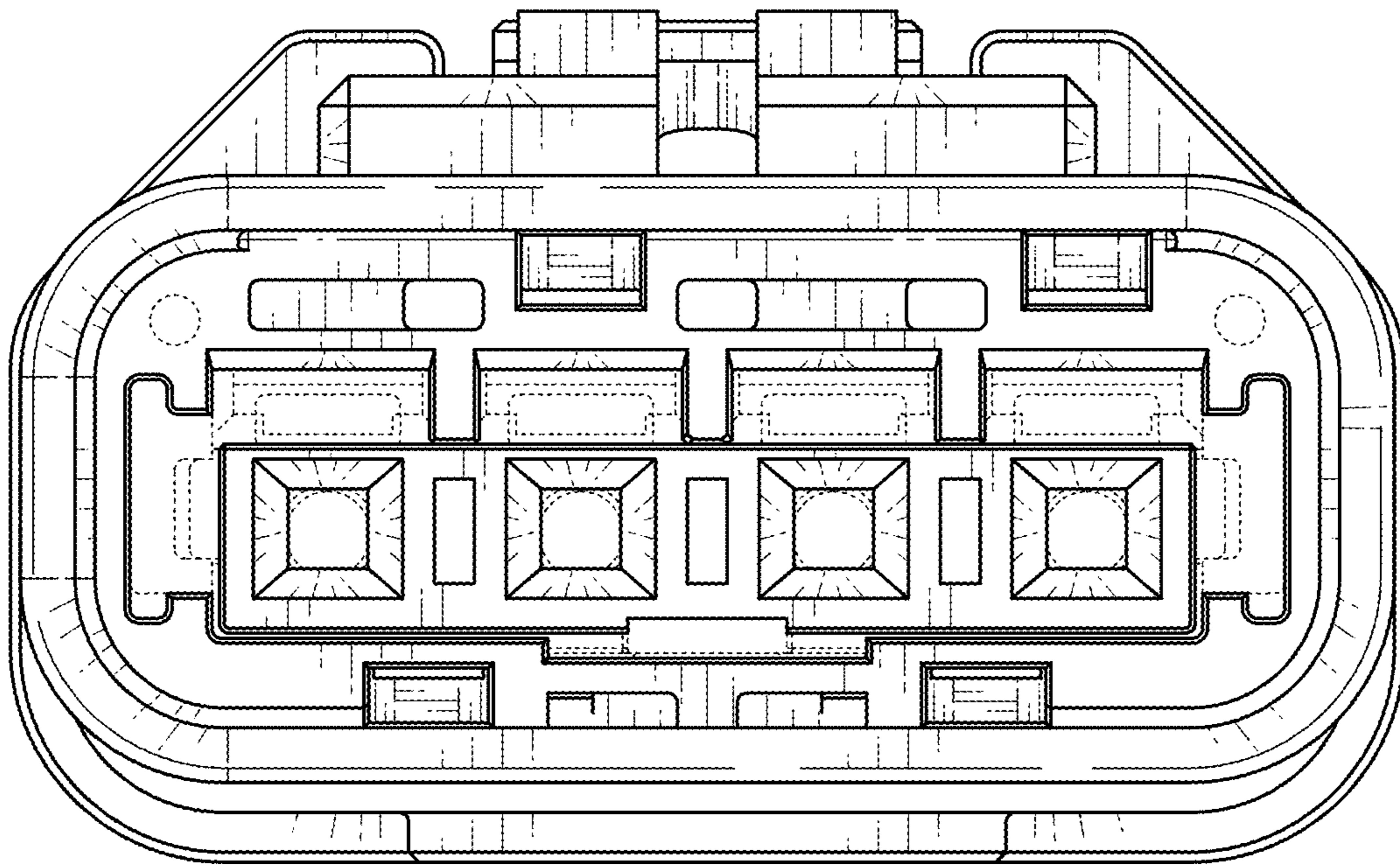


FIG. 31

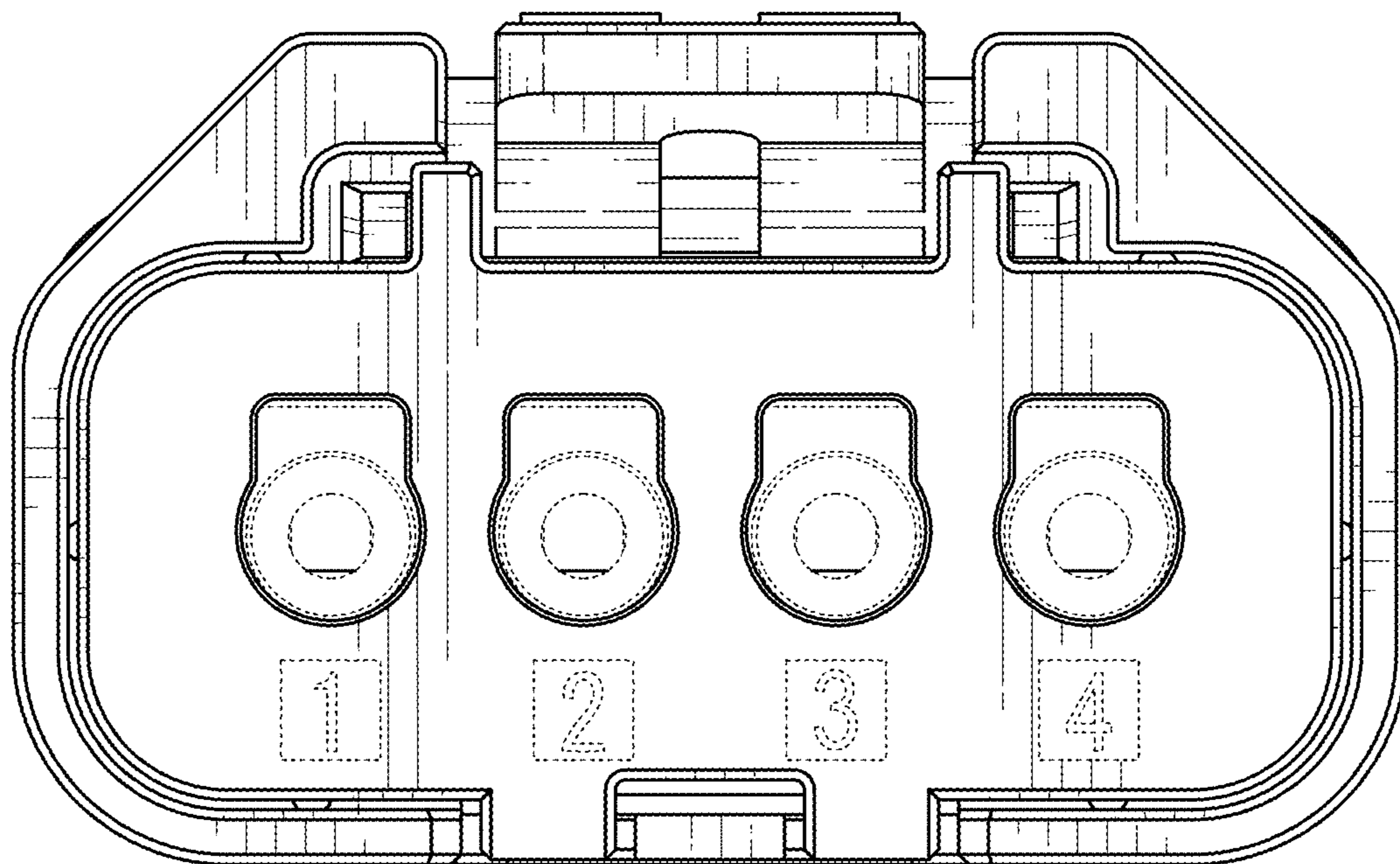


FIG. 32

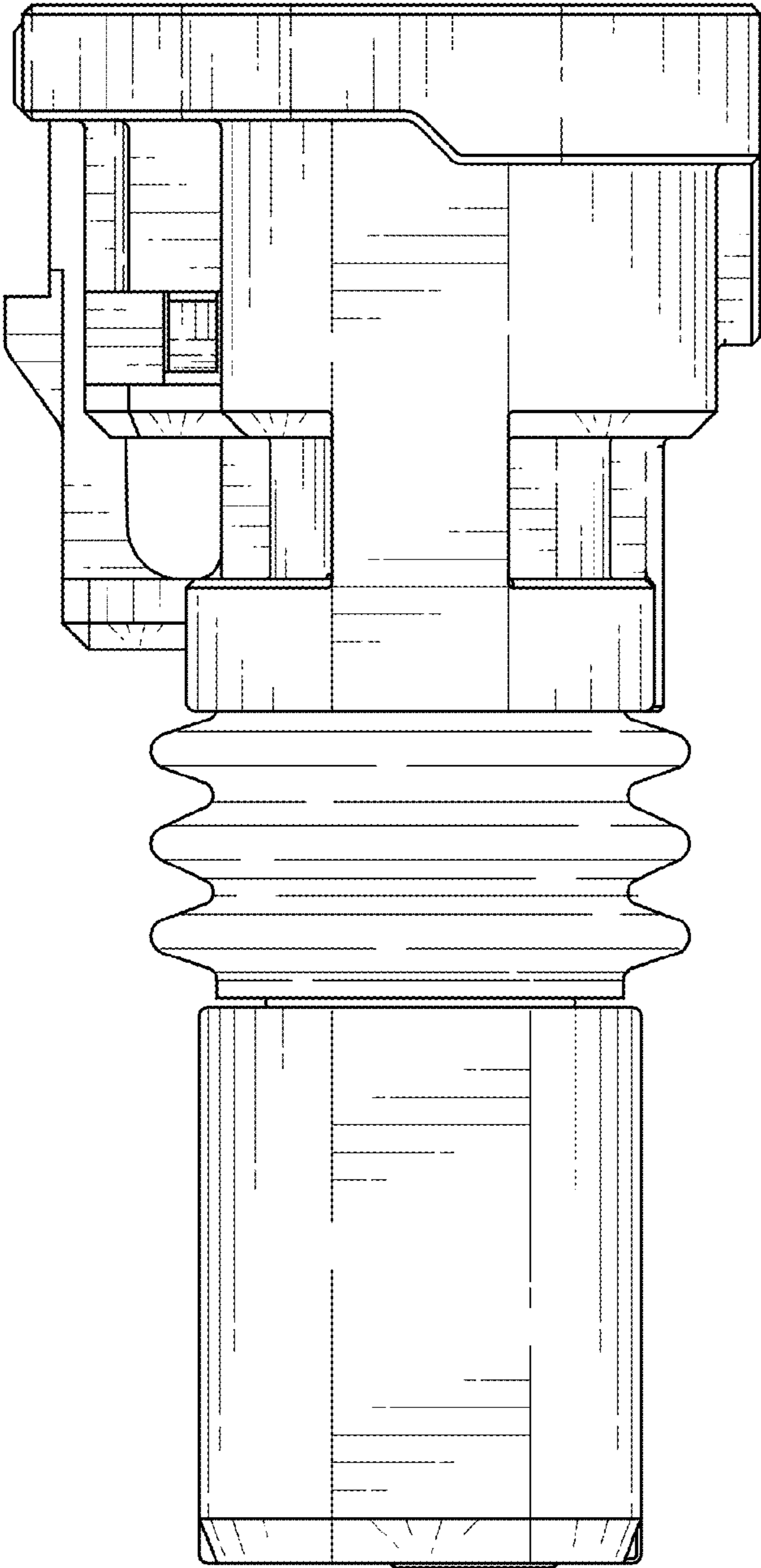


FIG. 33

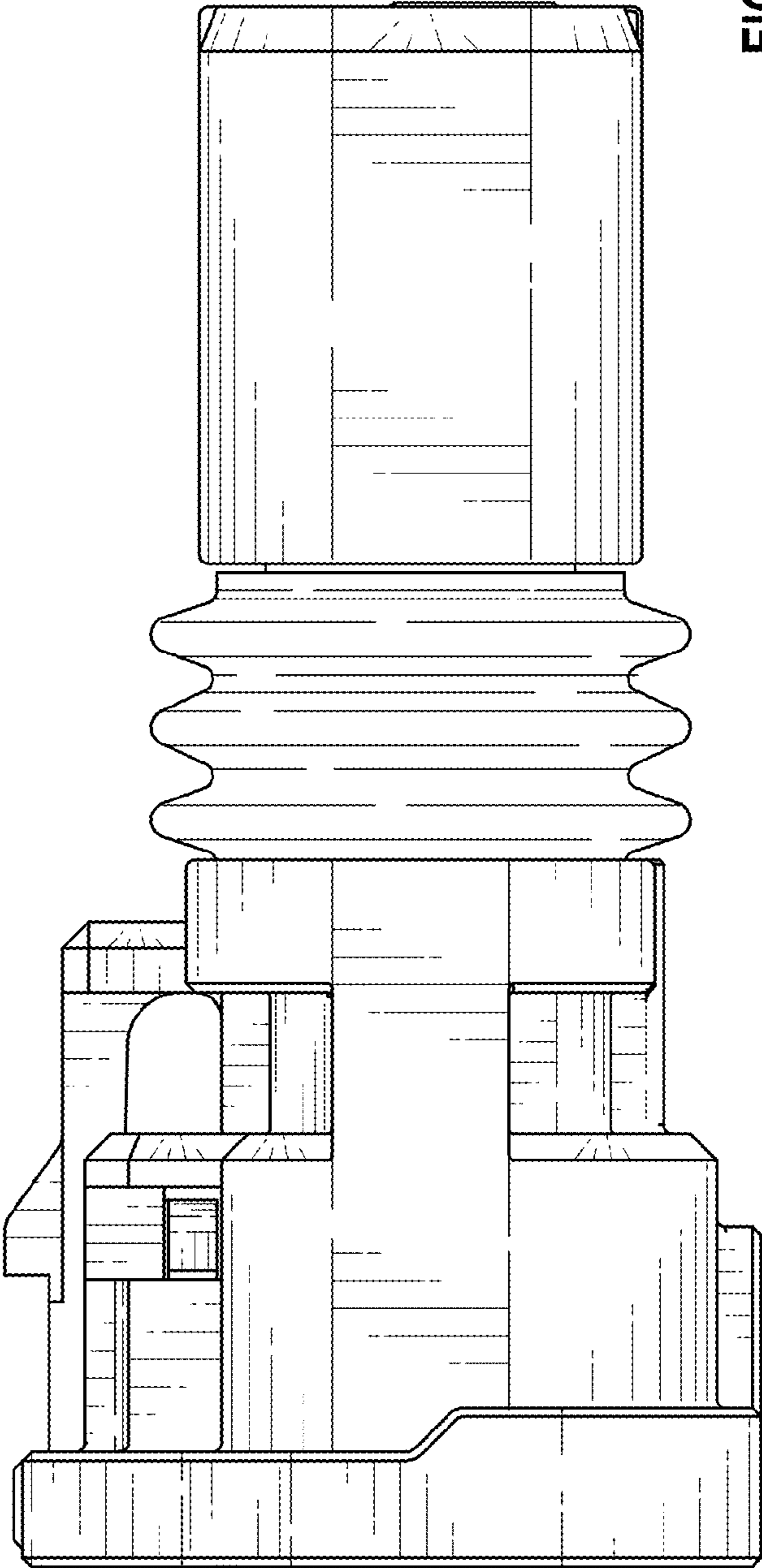


FIG. 34

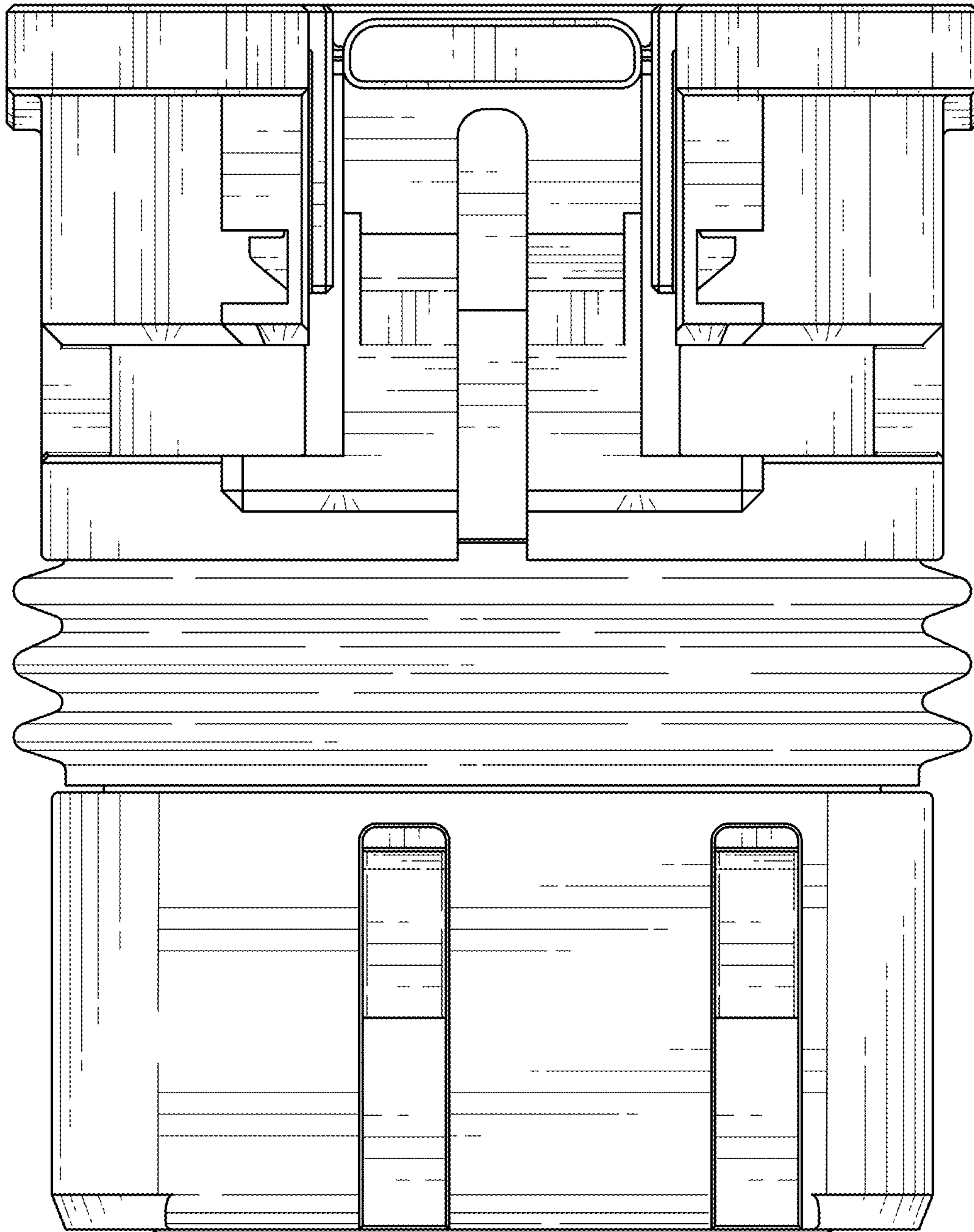


FIG. 35

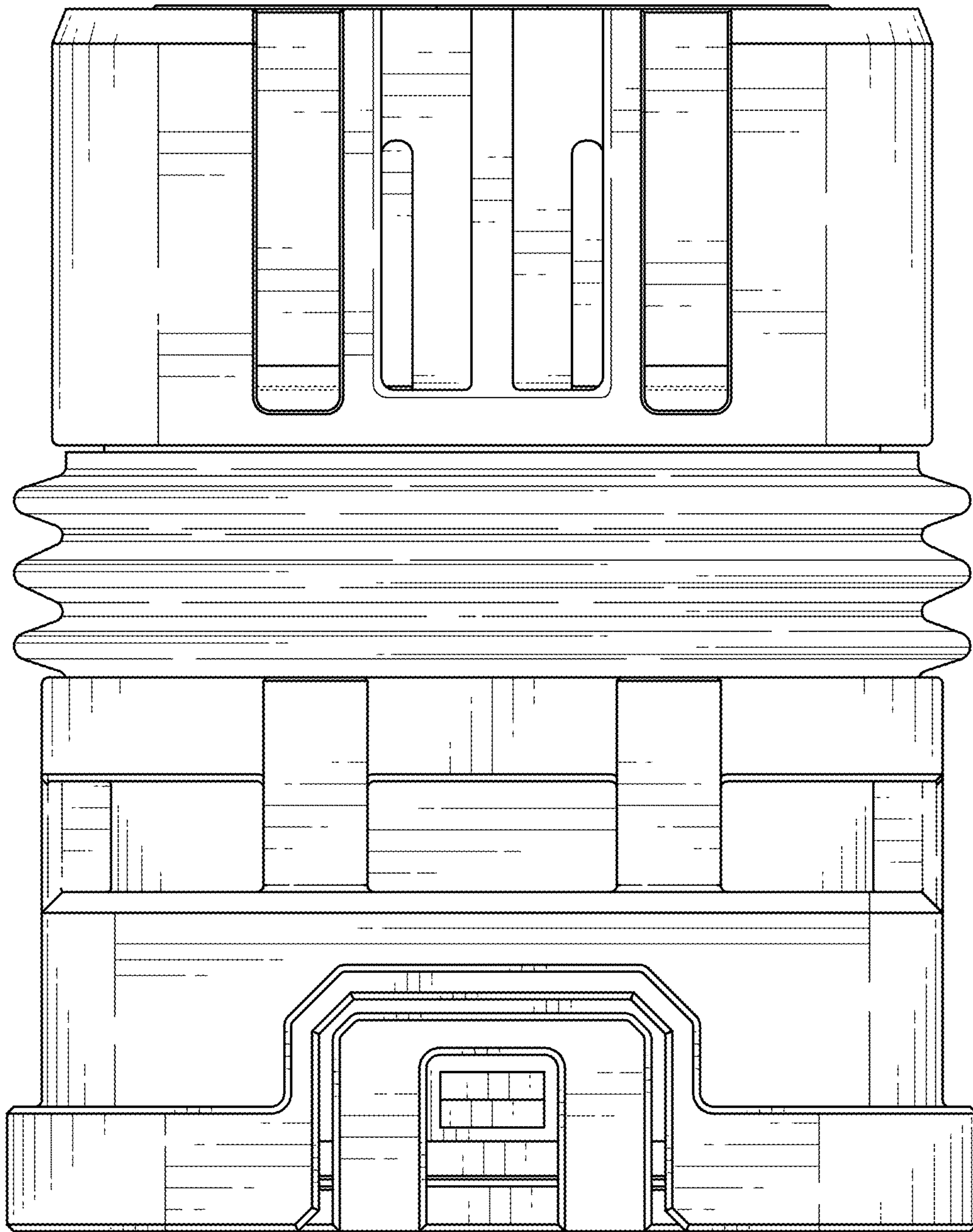


FIG. 36

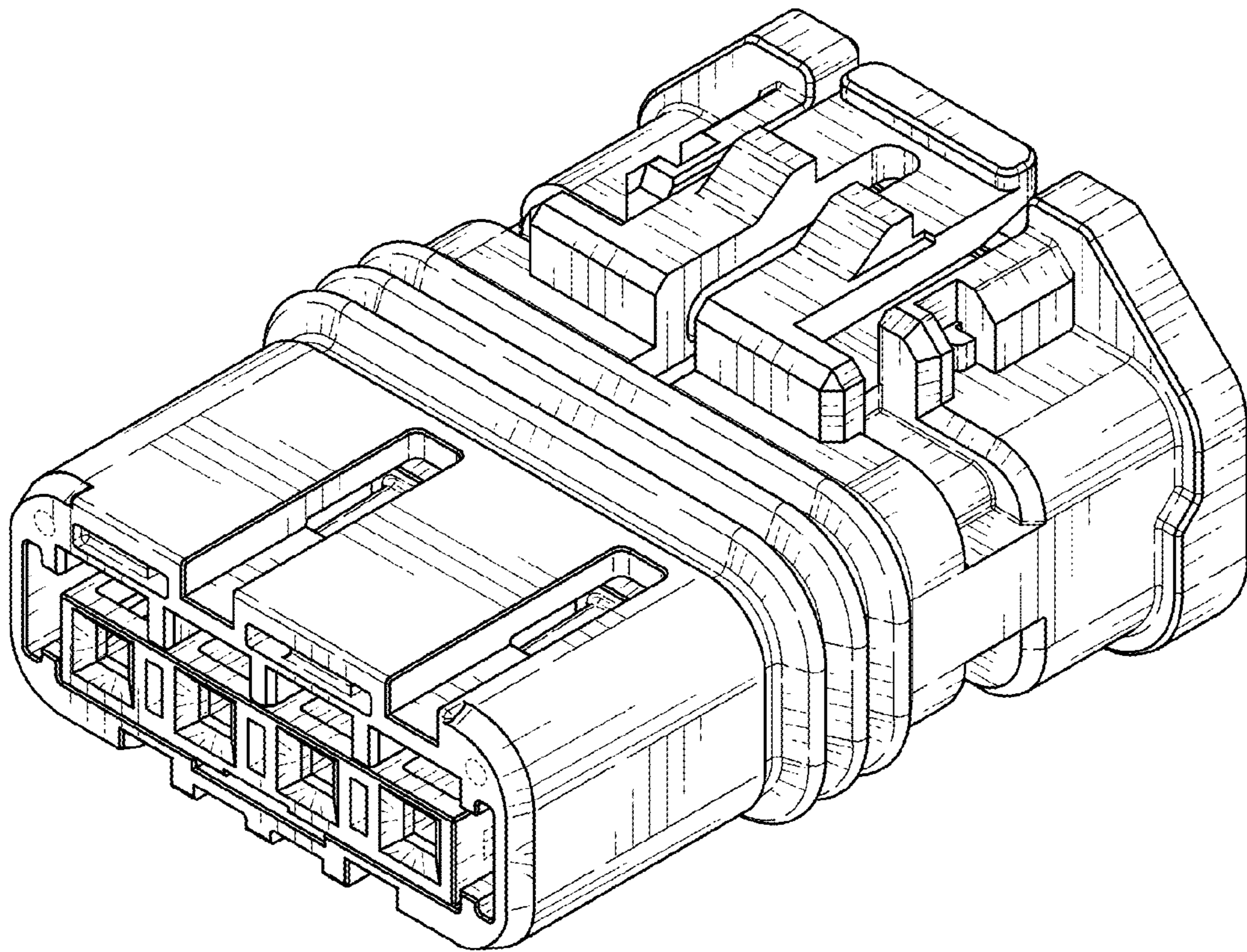


FIG. 37

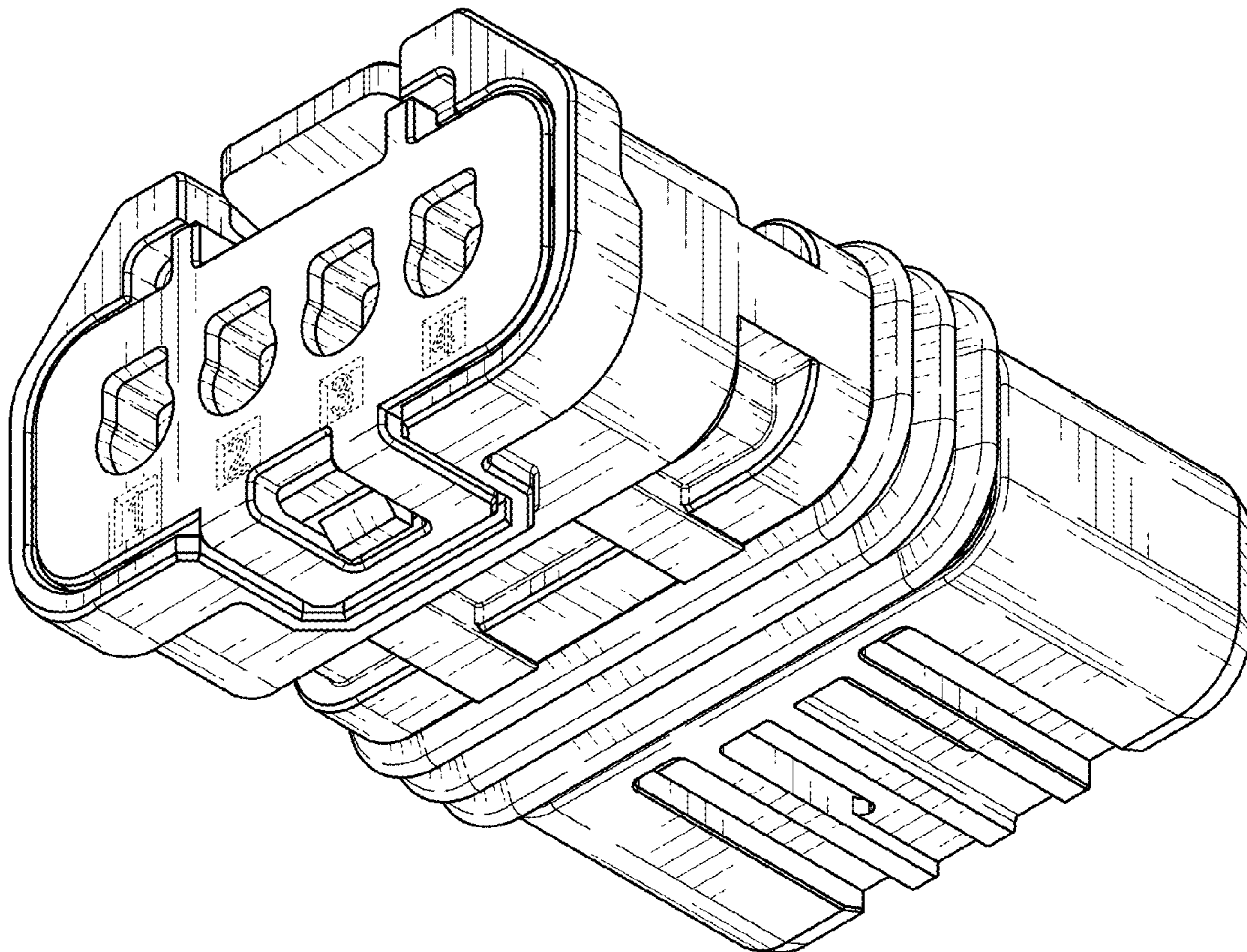


FIG. 38

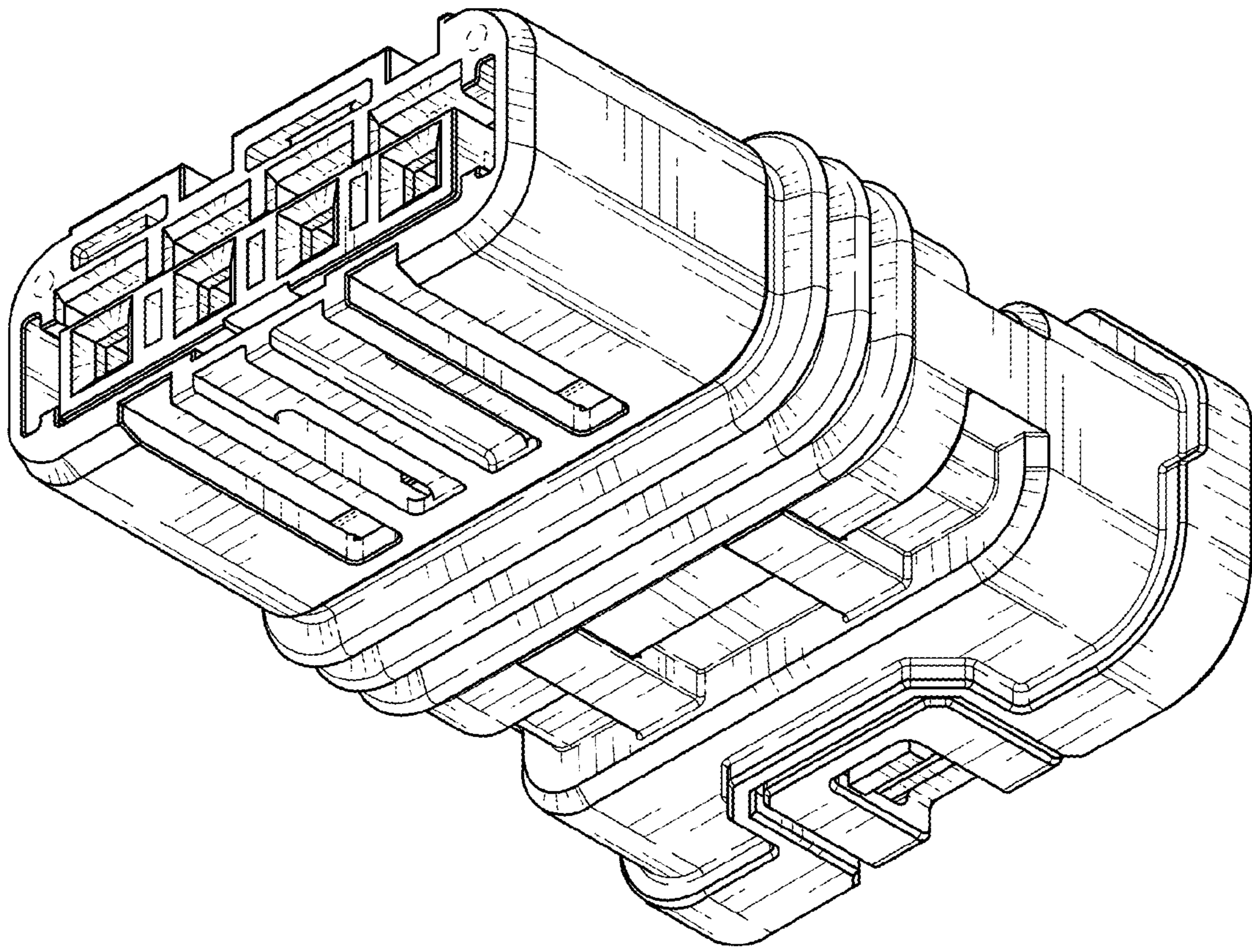


FIG. 39

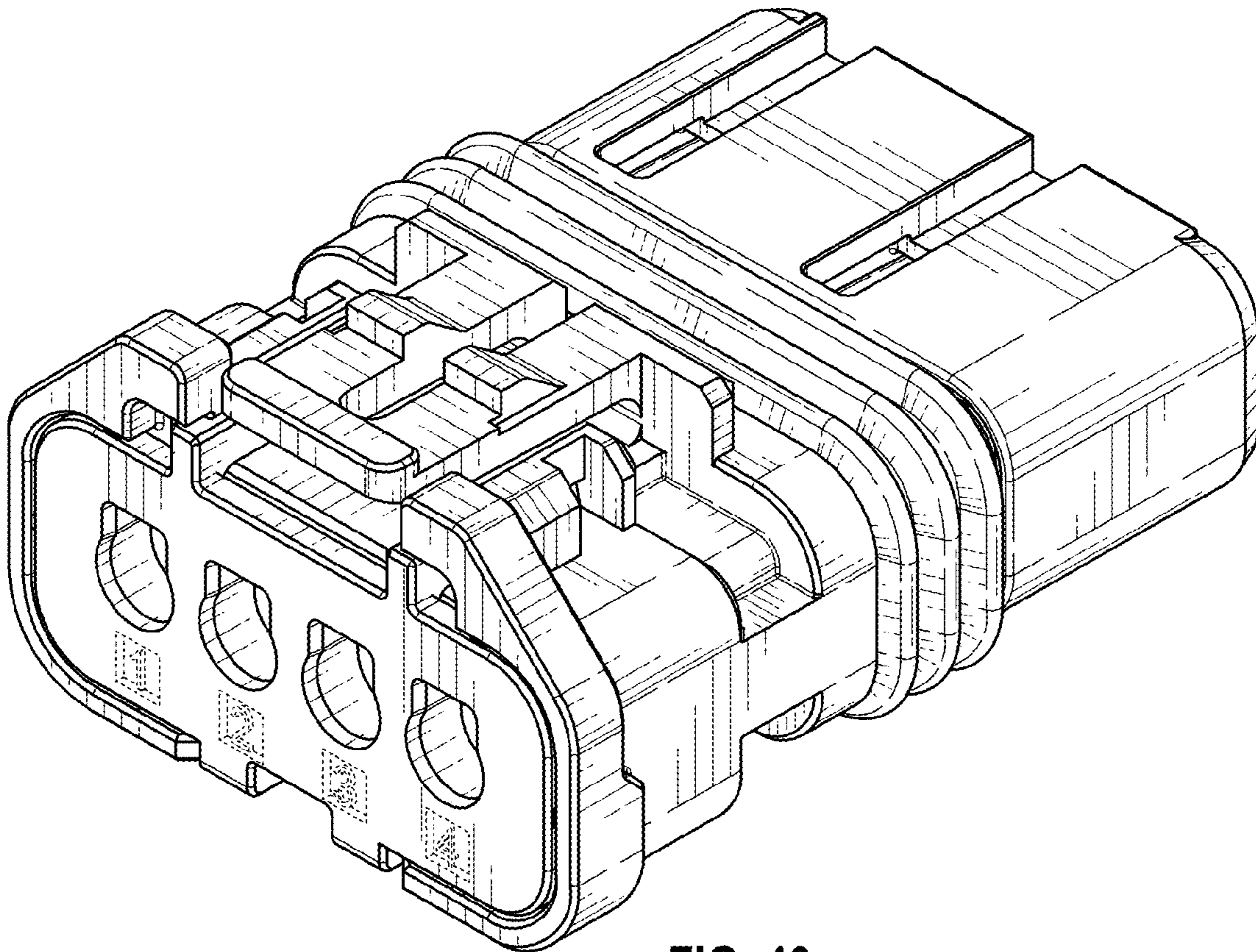


FIG. 40