



US00D870672S

(12) **United States Design Patent**
Byrne et al.

(10) **Patent No.:** **US D870,672 S**

(45) **Date of Patent:** **** Dec. 24, 2019**

(54) **ELECTRICAL RECEPTACLE**

(71) Applicants: **Norman R. Byrne**, Ada, MI (US);
Shane Rogers, Rockford, MI (US);
Joseph D. Ward, Grand Rapids, MI
(US); **Joshua M. McBryde**, Grand
Rapids, MI (US); **Randell E. Pate**,
Jenison, MI (US)

(72) Inventors: **Norman R. Byrne**, Ada, MI (US);
Shane Rogers, Rockford, MI (US);
Joseph D. Ward, Grand Rapids, MI
(US); **Joshua M. McBryde**, Grand
Rapids, MI (US); **Randell E. Pate**,
Jenison, MI (US)

(**) Term: **15 Years**

(21) Appl. No.: **29/607,354**

(22) Filed: **Jun. 12, 2017**

(51) **LOC (12) Cl.** **13-03**

(52) **U.S. Cl.**
USPC **D13/139.7**

(58) **Field of Classification Search**
USPC D13/139.7, 139.1, 139.2, 139.3, 139.4,
D13/139.5, 139.6, 139.8; D14/110
CPC H01R 13/652; H01R 35/04; H01R 31/02;
H01R 29/00; H01R 27/00
See application file for complete search history.

(56) **References Cited**

U.S. PATENT DOCUMENTS

D375,292 S	11/1996	D'Amato
5,595,503 A	1/1997	Pittman et al.
5,775,921 A	7/1998	Chou
5,997,310 A	12/1999	Chiu et al.
6,089,921 A	7/2000	Chou
6,595,782 B1	7/2003	Hsiao
6,793,499 B1	9/2004	Chen
6,821,134 B2	11/2004	Chen

7,255,568 B1	8/2007	Wu
7,533,223 B1	7/2009	Wadsworth
7,575,436 B1	8/2009	Devlin et al.
D614,574 S *	4/2010	Thommes D13/139.1
7,845,951 B1	12/2010	Goon
7,850,458 B2	12/2010	Wadsworth
7,892,036 B2	2/2011	Lee
D633,870 S *	3/2011	Thommes D13/139.1
7,914,292 B2	3/2011	Honda

(Continued)

OTHER PUBLICATIONS

Co-pending and commonly-owned design U.S. Appl. No. 29/607,299,
filed Jun. 12, 2017.

Primary Examiner — Bridget L Eland

(74) *Attorney, Agent, or Firm* — Gardner, Linn, Burkhardt
& Ondersma LLP

(57) **CLAIM**

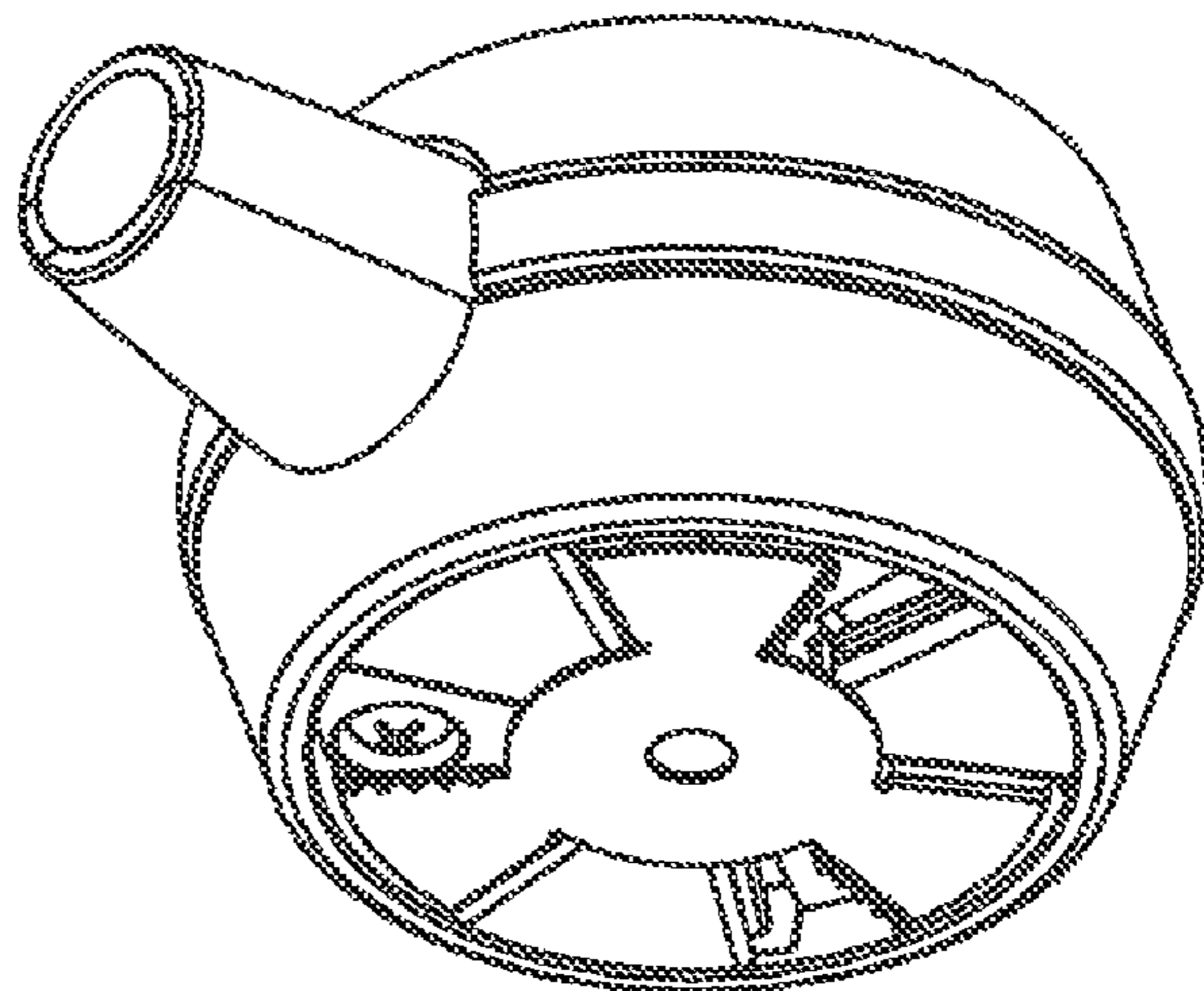
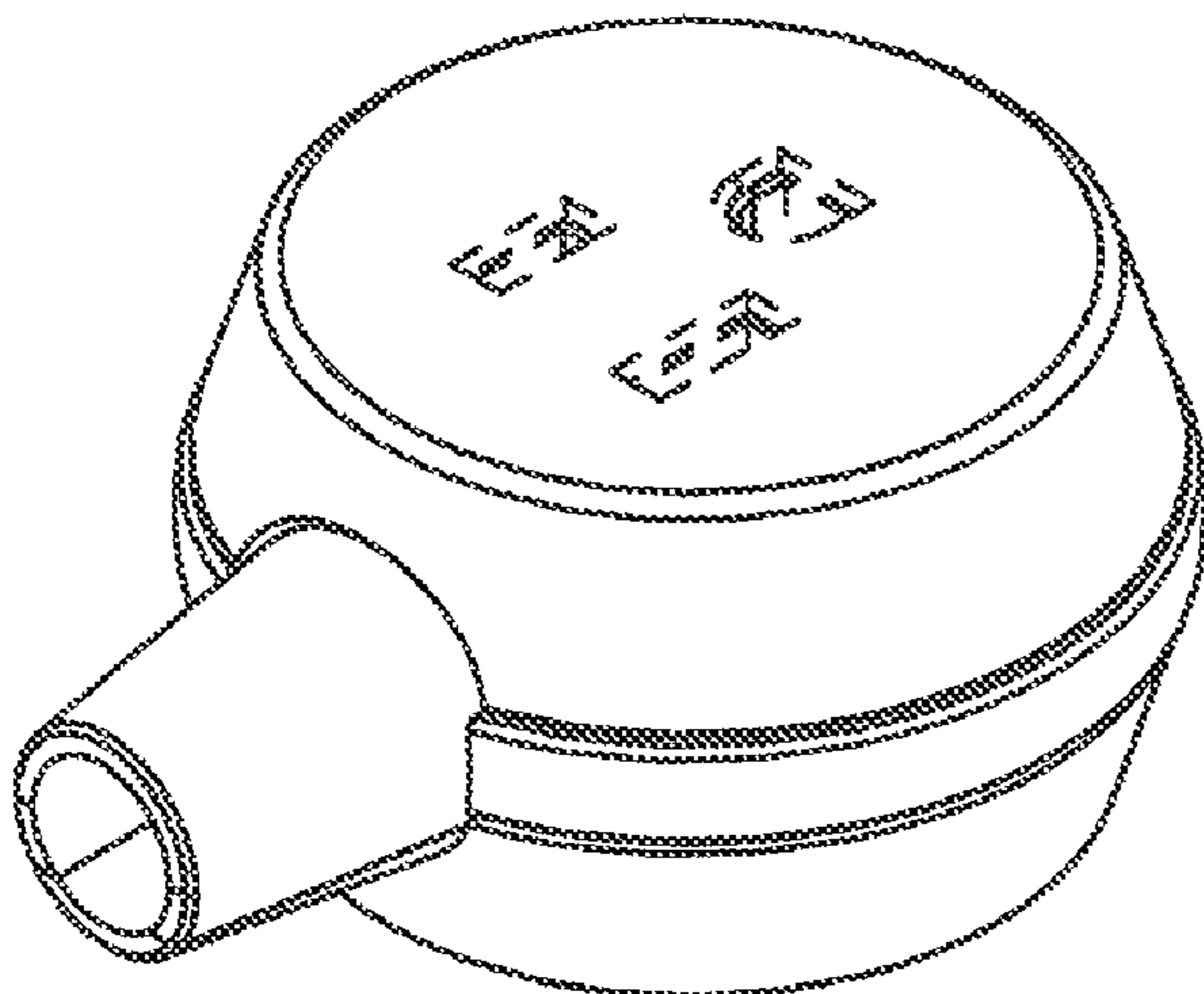
The ornamental design for an electrical receptacle, as shown
and described.

DESCRIPTION

FIG. 1 is a front, bottom, left side perspective view of an
electrical receptacle showing our new design;
FIG. 2 is a front, top, left side perspective view thereof;
FIG. 3 is a rear, bottom, left side perspective view thereof;
FIG. 4 is a rear, top, left side perspective view thereof;
FIG. 5 is a bottom plan view thereof;
FIG. 6 is a top plan view thereof;
FIG. 7 is a front elevation thereof;
FIG. 8 is a rear elevation thereof;
FIG. 9 is a right side elevation thereof; and,
FIG. 10 is a left side elevation thereof.

The broken lines immediately adjacent the claim represent
the bounds of the claimed design while all other broken lines
are directed to environment and are for illustrative purposes
only; the broken lines form no part of the claimed design.

1 Claim, 2 Drawing Sheets



(56)

References Cited

U.S. PATENT DOCUMENTS

7,946,852	B2	5/2011	John	
D640,199	S *	6/2011	Wilson	D13/139.7
8,123,528	B2	2/2012	Devlin et al.	
8,167,622	B2	5/2012	Zhou	
8,469,730	B2	6/2013	Garb et al.	
8,500,492	B2	8/2013	Brown et al.	
8,747,119	B2	6/2014	Hsu	
D714,726	S	10/2014	Byrne et al.	
D721,330	S	1/2015	Byrne et al.	
D722,563	S	2/2015	Byrne et al.	
D730,834	S *	6/2015	Byrne	D13/139.1
D739,821	S	9/2015	Byrne et al.	
D741,266	S *	10/2015	Byrne	D13/138.2
D741,267	S *	10/2015	Byrne	D13/139.1
D759,596	S	6/2016	Byrne et al.	
D762,175	S	7/2016	Byrne et al.	
D803,160	S *	11/2017	Ho'o	D13/139.1
D807,829	S	1/2018	Byrne et al.	
D817,888	S *	5/2018	Yu	D13/139.1
D826,162	S *	8/2018	Byrne	D13/139.7
2013/0115804	A1 *	5/2013	Vallon	H01R 13/72 439/501

* cited by examiner

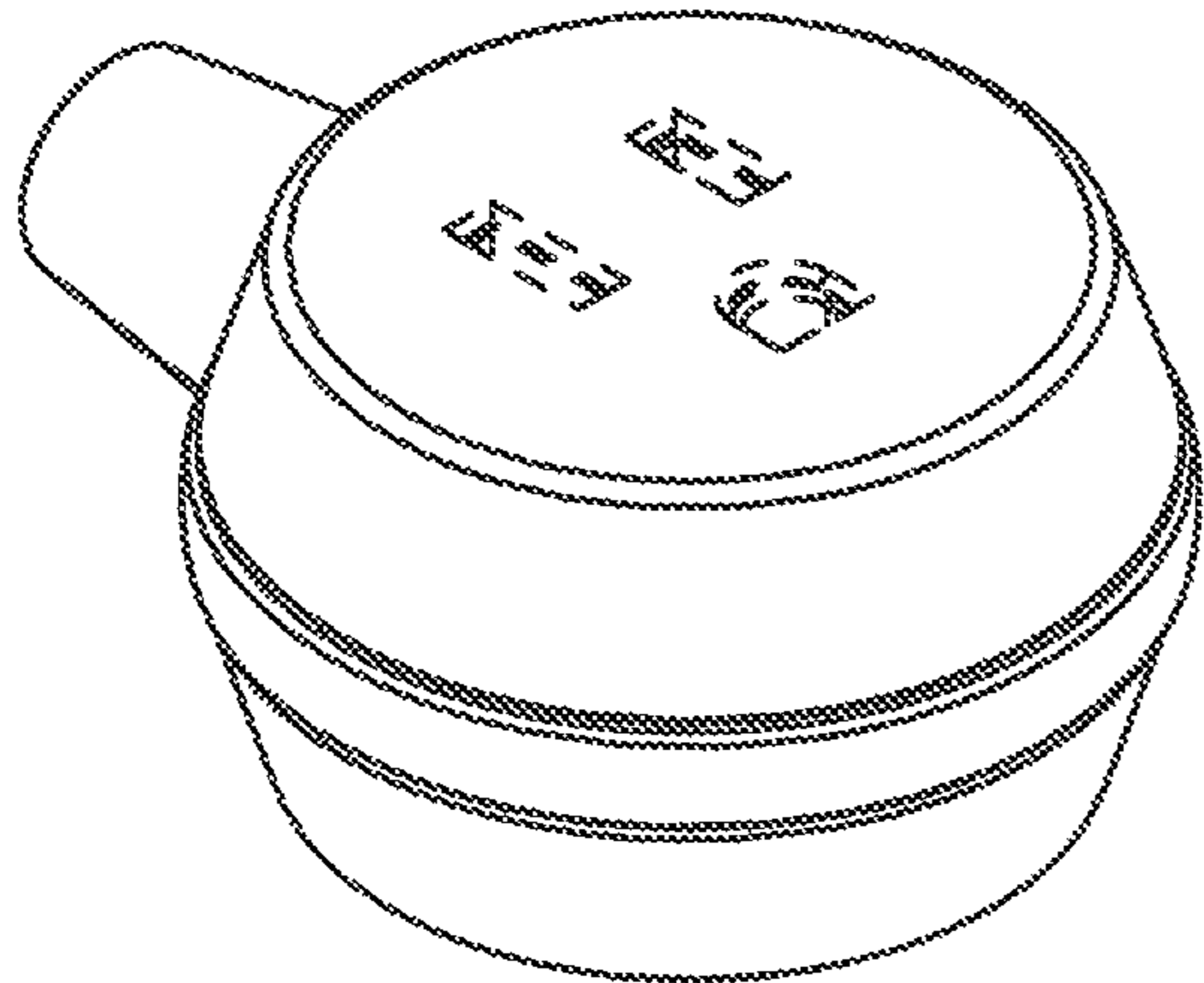


Fig. 1

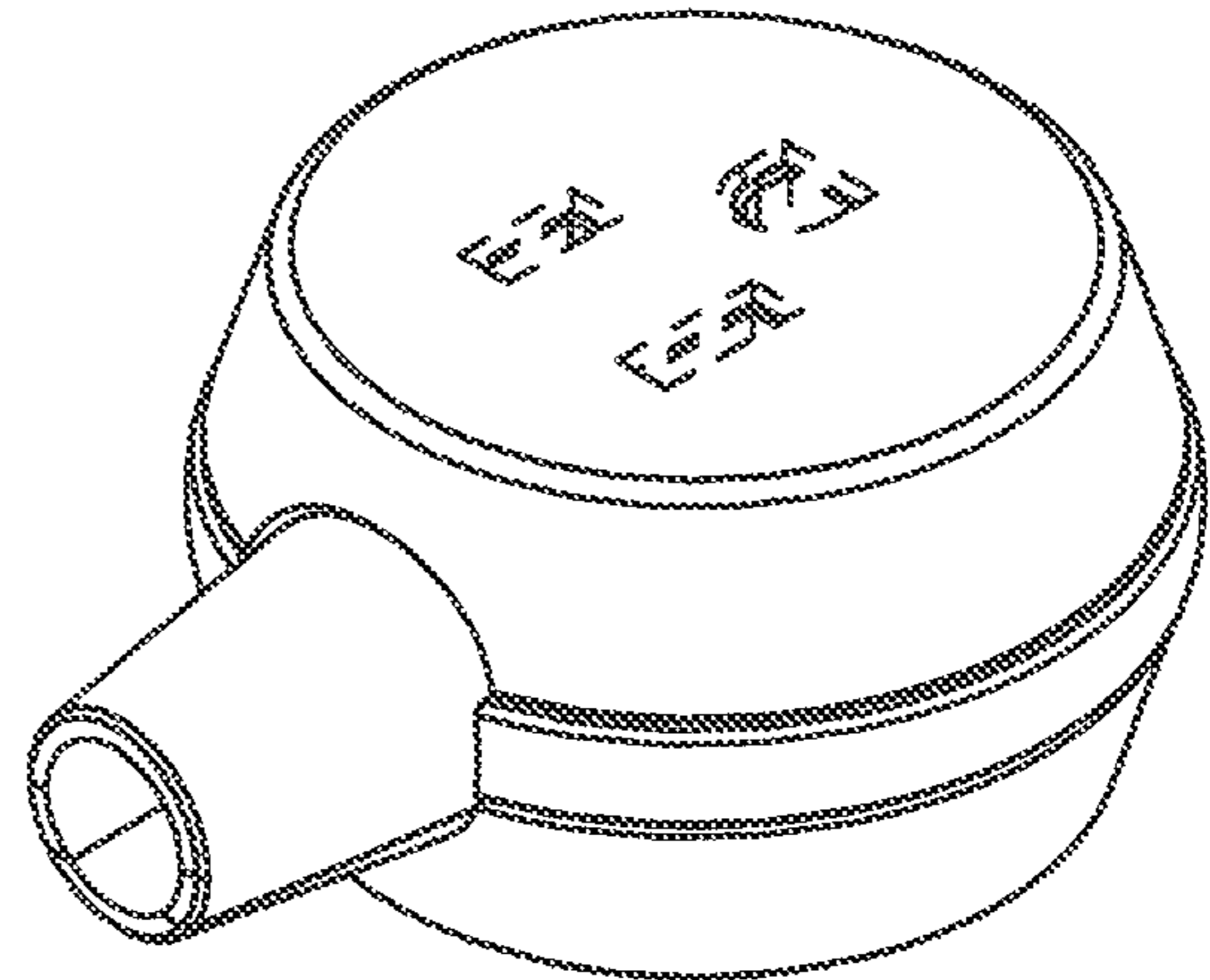


Fig. 2

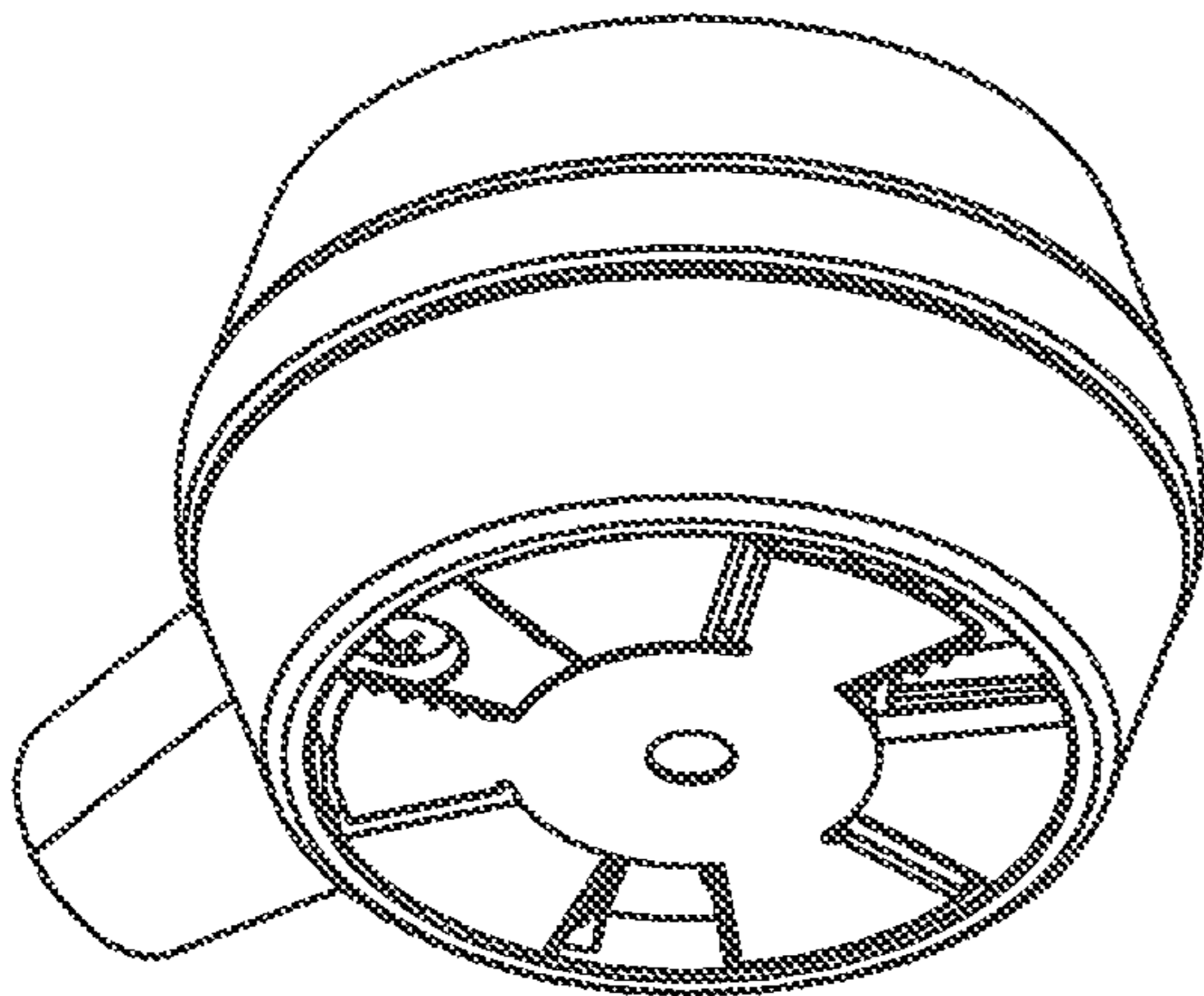


Fig. 3

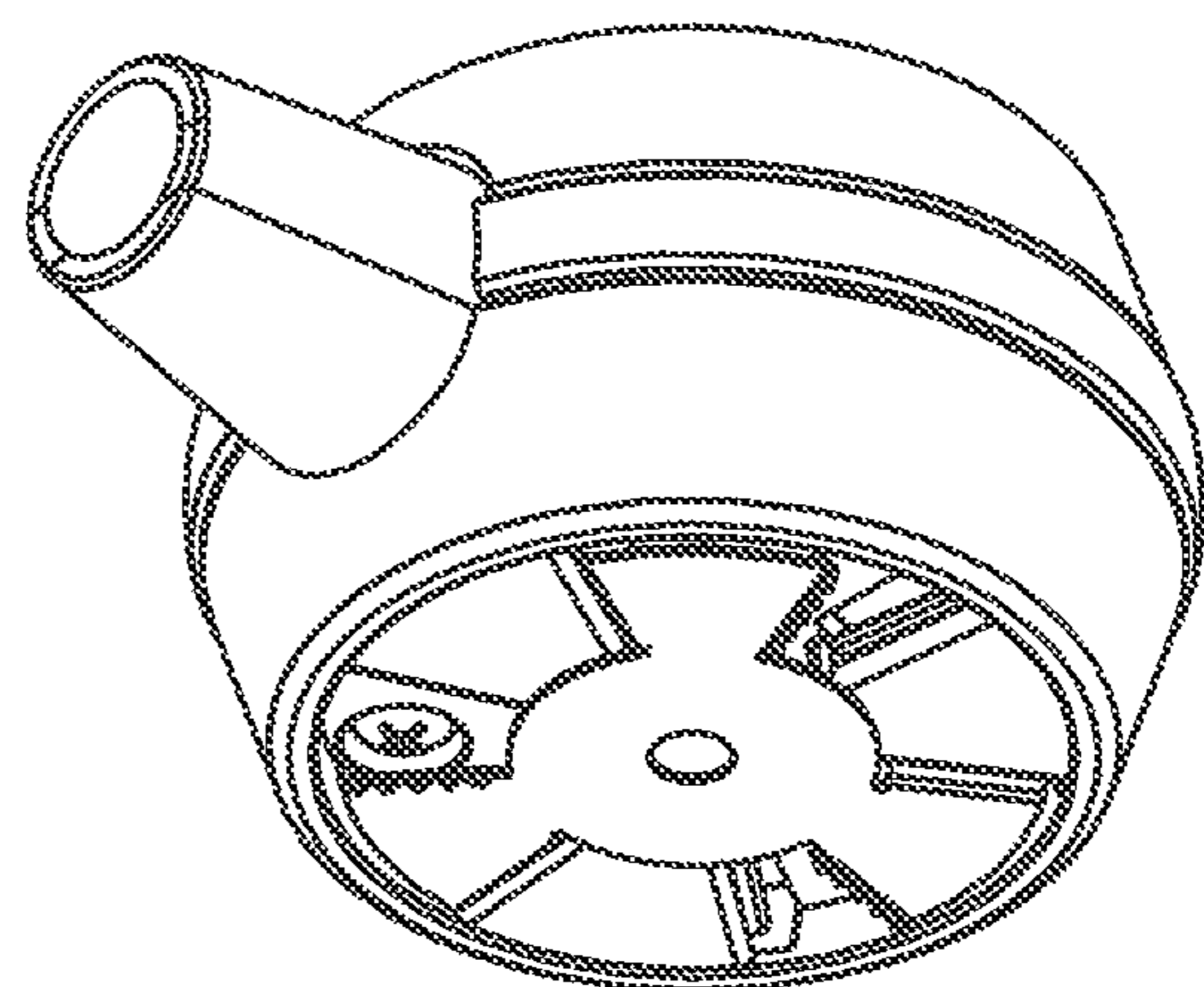


Fig. 4

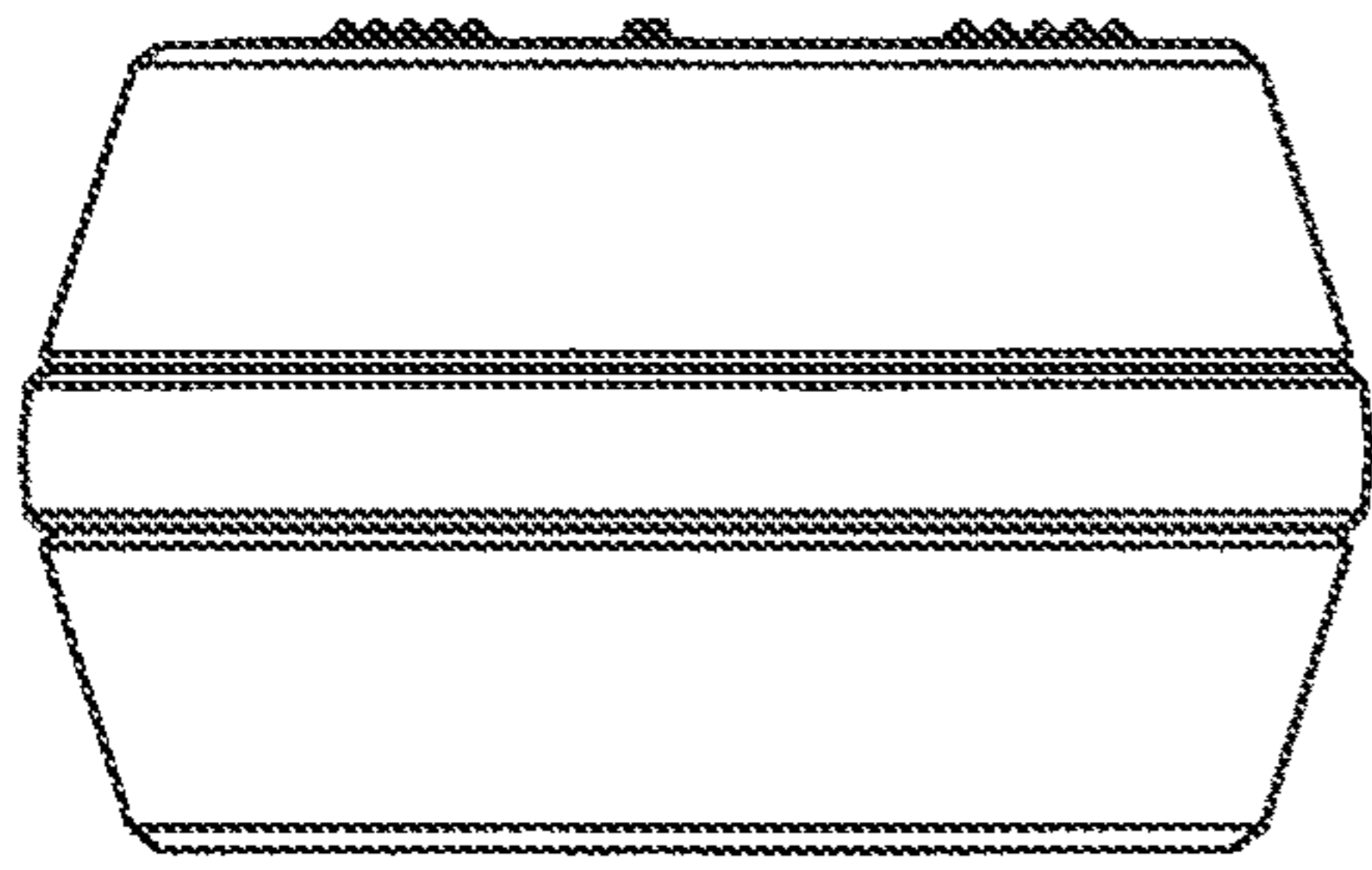


Fig. 5

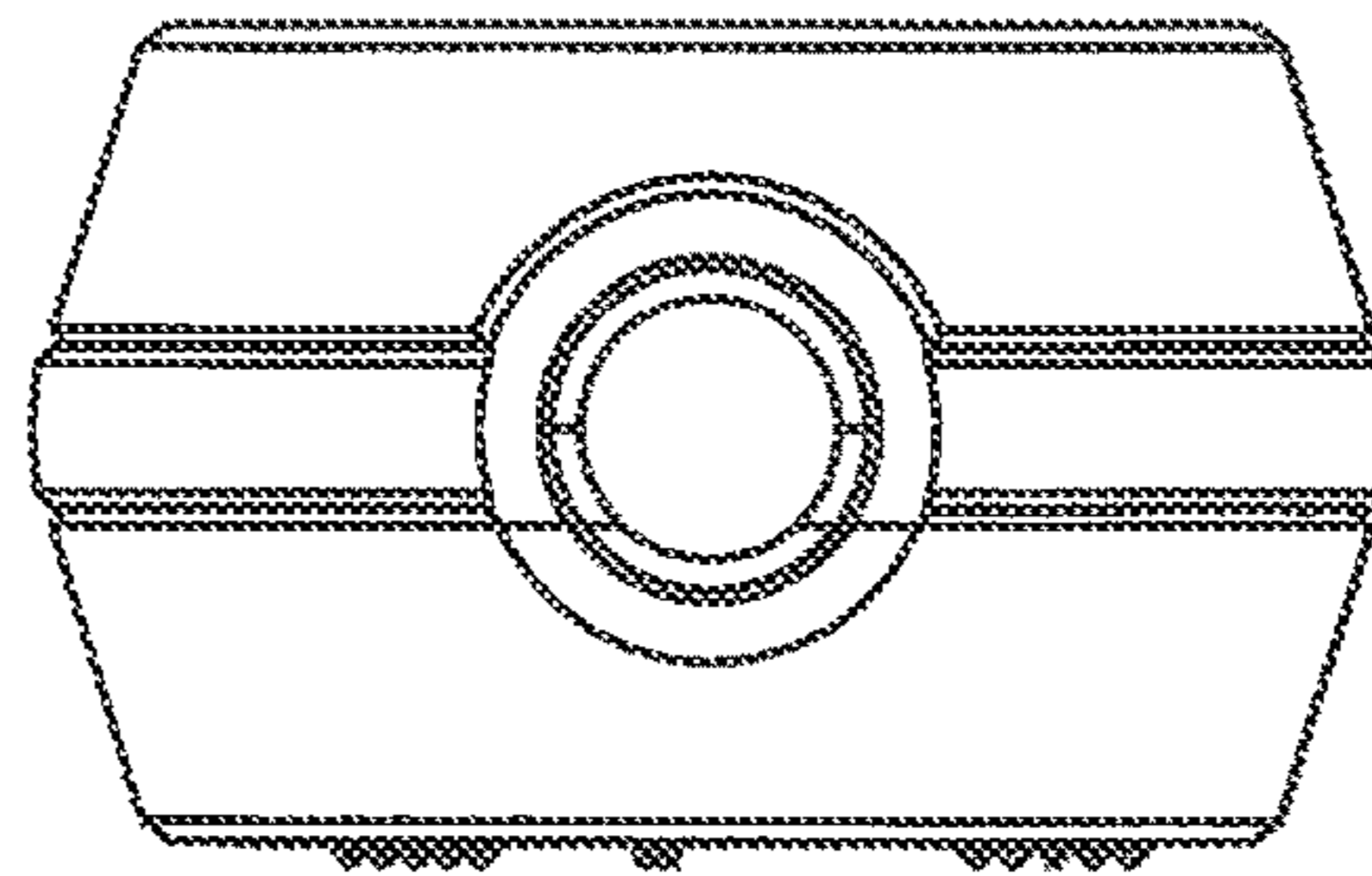


Fig. 6

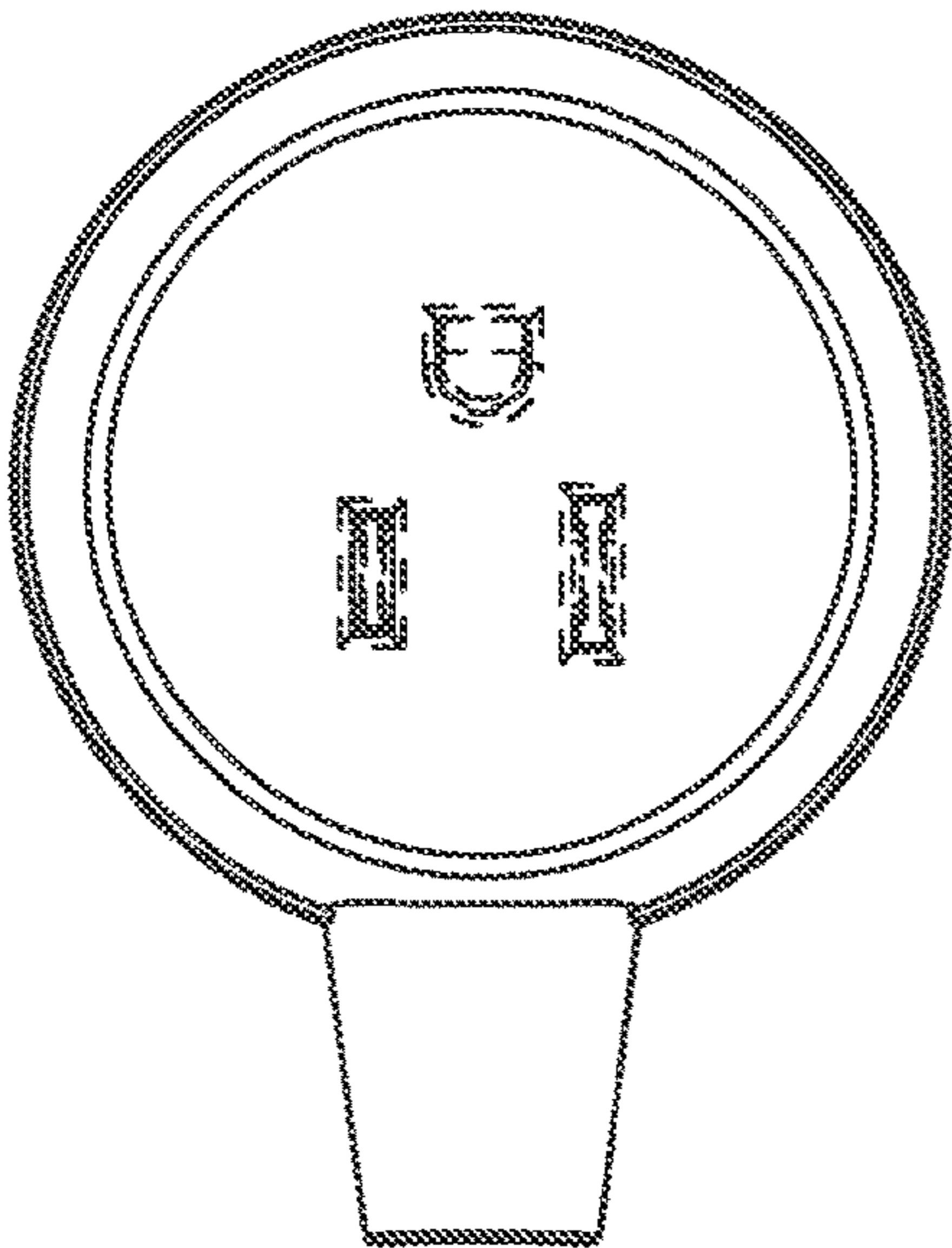


Fig. 7

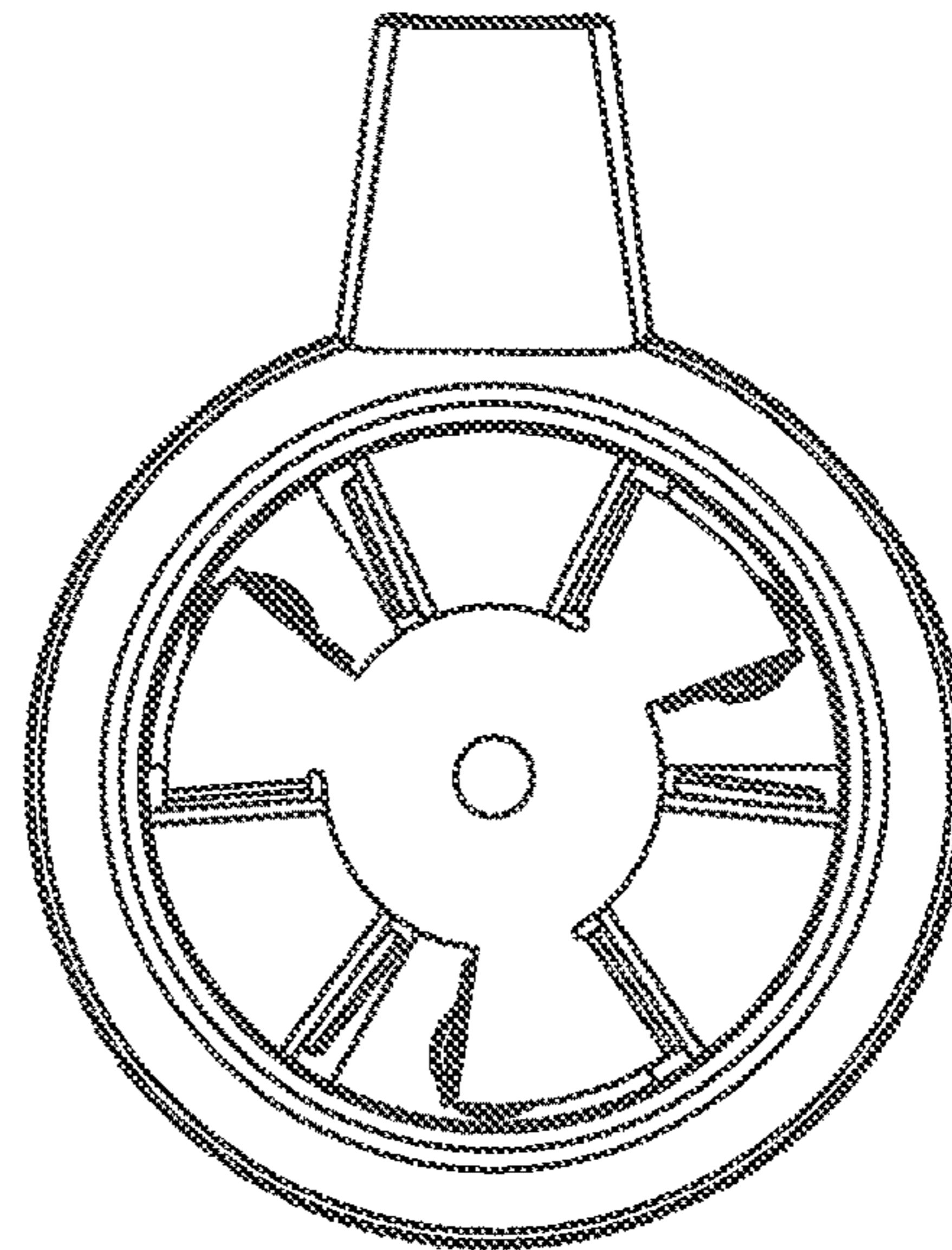


Fig. 8

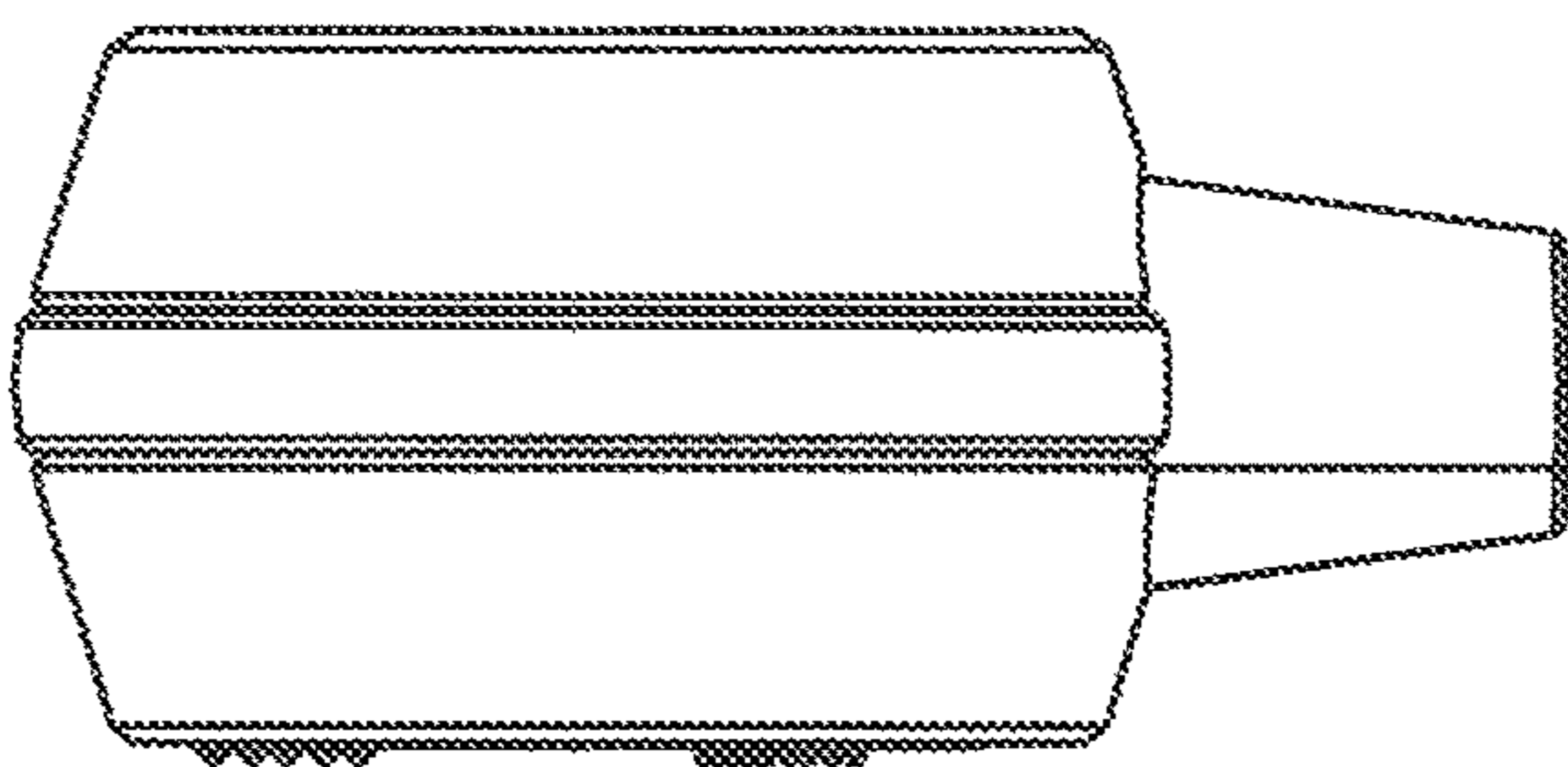


Fig. 9

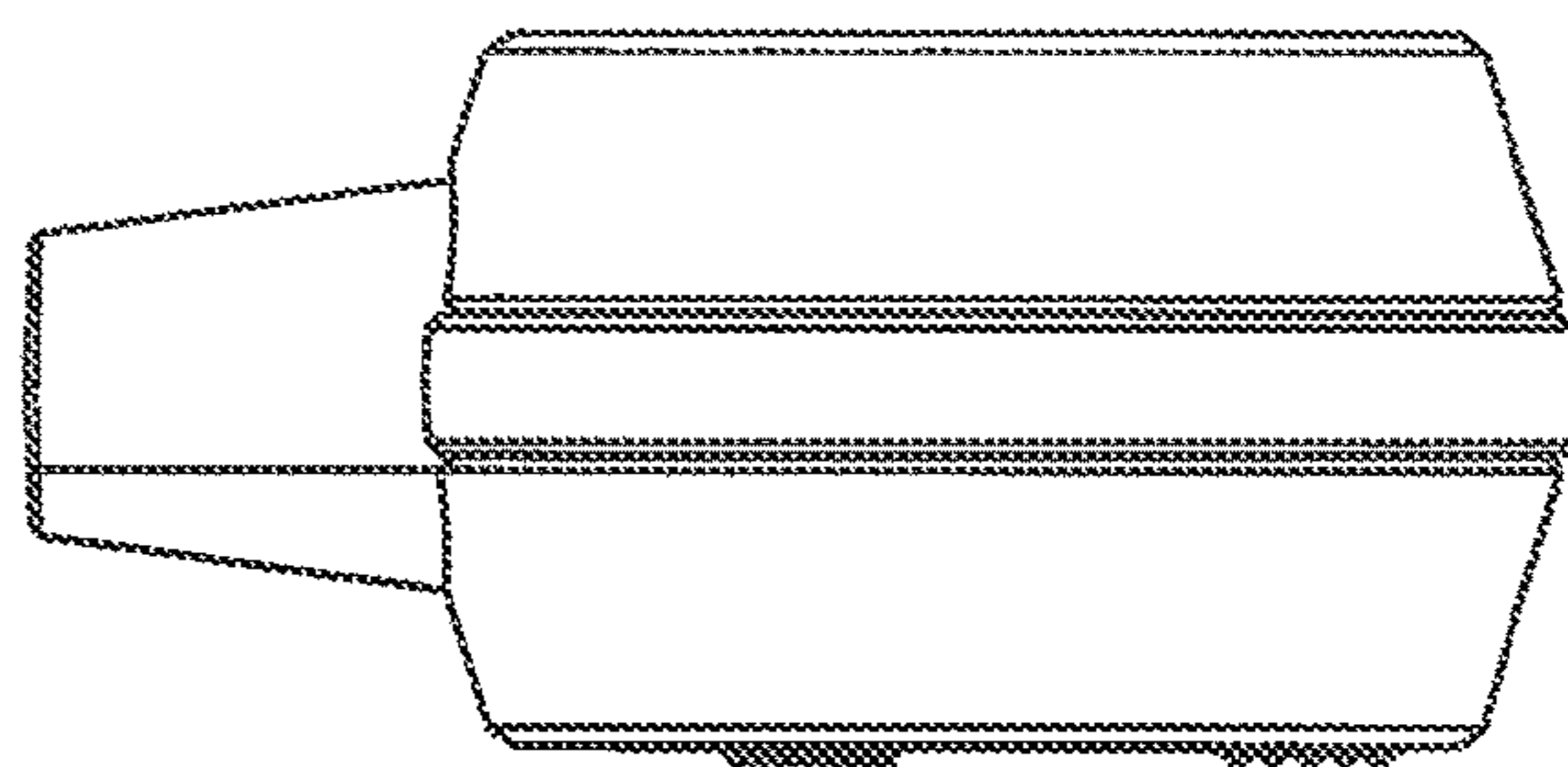


Fig. 10