



US00D870670S

(12) **United States Design Patent**
Little

(10) **Patent No.:** **US D870,670 S**

(45) **Date of Patent:** **** Dec. 24, 2019**

(54) **PLUG ADAPTOR**

(71) Applicant: **DG INTERNATIONAL HOLDINGS LIMITED**, London (GB)

(72) Inventor: **Simon Little**, Middlesex (GB)

(73) Assignee: **D.G. INTERNATIONAL HOLDINGS LIMITED**, London (GB)

(**) Term: **15 Years**

(21) Appl. No.: **29/657,319**

(22) Filed: **Jul. 20, 2018**

(30) **Foreign Application Priority Data**

Feb. 1, 2018 (AU) 201810597

(51) **LOC (12) Cl.** **13-03**

(52) **U.S. Cl.**
USPC **D13/137.2**

(58) **Field of Classification Search**
USPC D13/107, 108, 110, 123, 133,
D13/137.1-137.4, 138.1-138.2,
D13/139.1-139.8, 152, 154, 184
CPC H01R 11/00; H01R 9/00; H01R 13/00;
H01R 13/04; H01R 13/10; H01R
13/6666; H01R 13/6675; H01R 25/00;
H01R 25/006; H01H 2207/00; H01H
2207/022
See application file for complete search history.

(56) **References Cited**

U.S. PATENT DOCUMENTS

D576,552 S * 9/2008 Caine D13/137.2
D642,524 S * 8/2011 Fitch D13/110

D702,639 S * 4/2014 Ruffner D13/110
D707,626 S * 6/2014 Atkinson D13/110
9,083,125 B2 * 7/2015 Rogers H01R 27/00
D750,022 S * 2/2016 Lin D13/137.2
D755,127 S * 5/2016 Wong D13/137.2
D818,963 S * 5/2018 Little D13/137.2
D826,858 S * 8/2018 Little D13/137.2
D826,859 S * 8/2018 Little D13/137.2
D832,786 S * 11/2018 Zhu D13/139.1
D835,042 S * 12/2018 Qiu D13/137.2
D835,043 S * 12/2018 Liao D13/137.3
D836,555 S * 12/2018 Xu D13/137.2

* cited by examiner

Primary Examiner — Rosemary K Tarcza

Assistant Examiner — Christy M Nemeth

(74) *Attorney, Agent, or Firm* — Nyemaster Goode P.C.

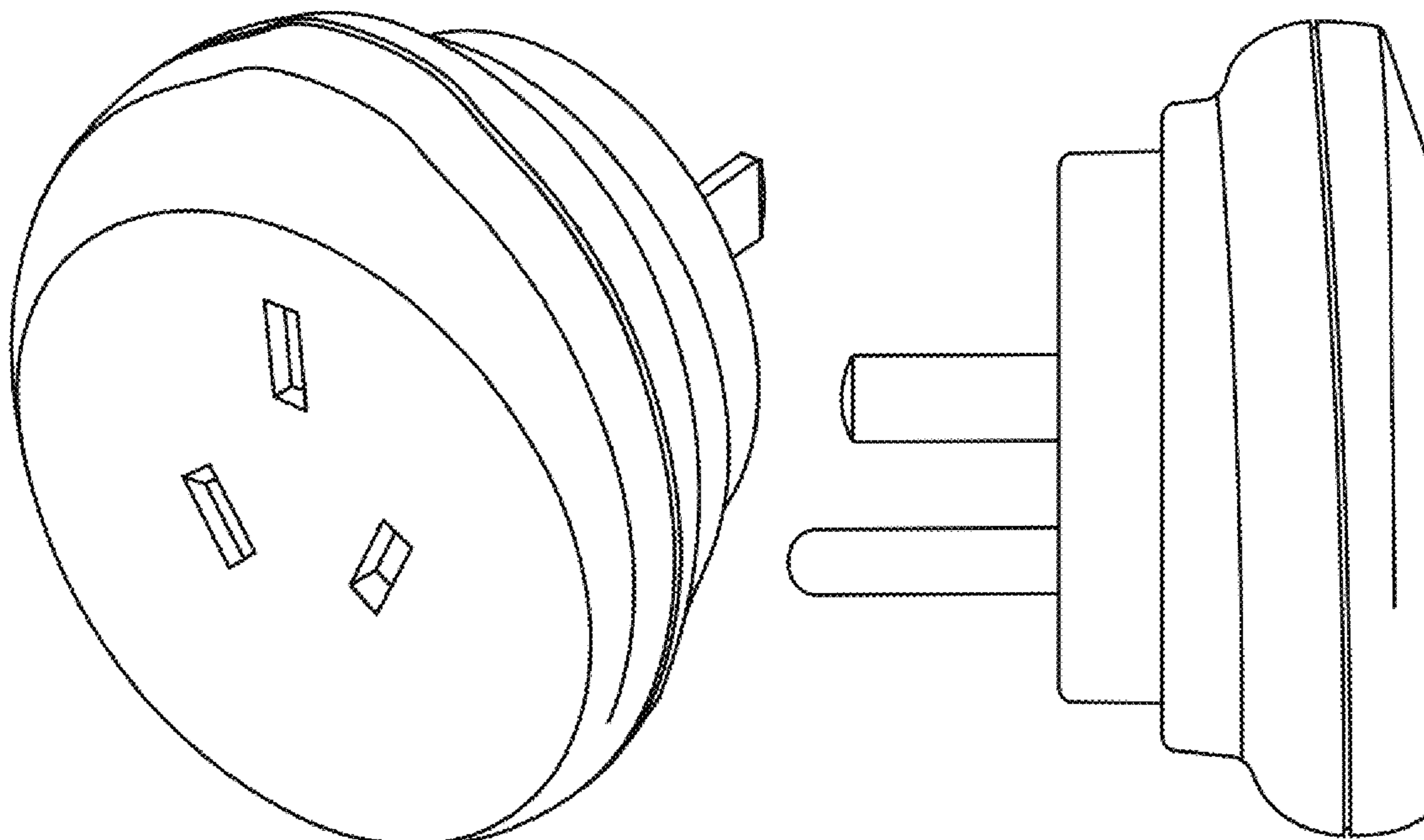
(57) **CLAIM**

The ornamental design for a plug adaptor, as shown and described.

DESCRIPTION

FIG. 1 is a perspective view of a plug adaptor.
FIG. 2 is a front elevational view of the plug adaptor.
FIG. 3 is a rear elevational view of the plug adaptor.
FIG. 4 is a top plan view of the plug adaptor.
FIG. 5 is a bottom plan view of the plug adaptor
FIG. 6 is a left side elevational view of the plug adaptor; and,
FIG. 7 is a right side elevational view of the plug adaptor.

1 Claim, 7 Drawing Sheets



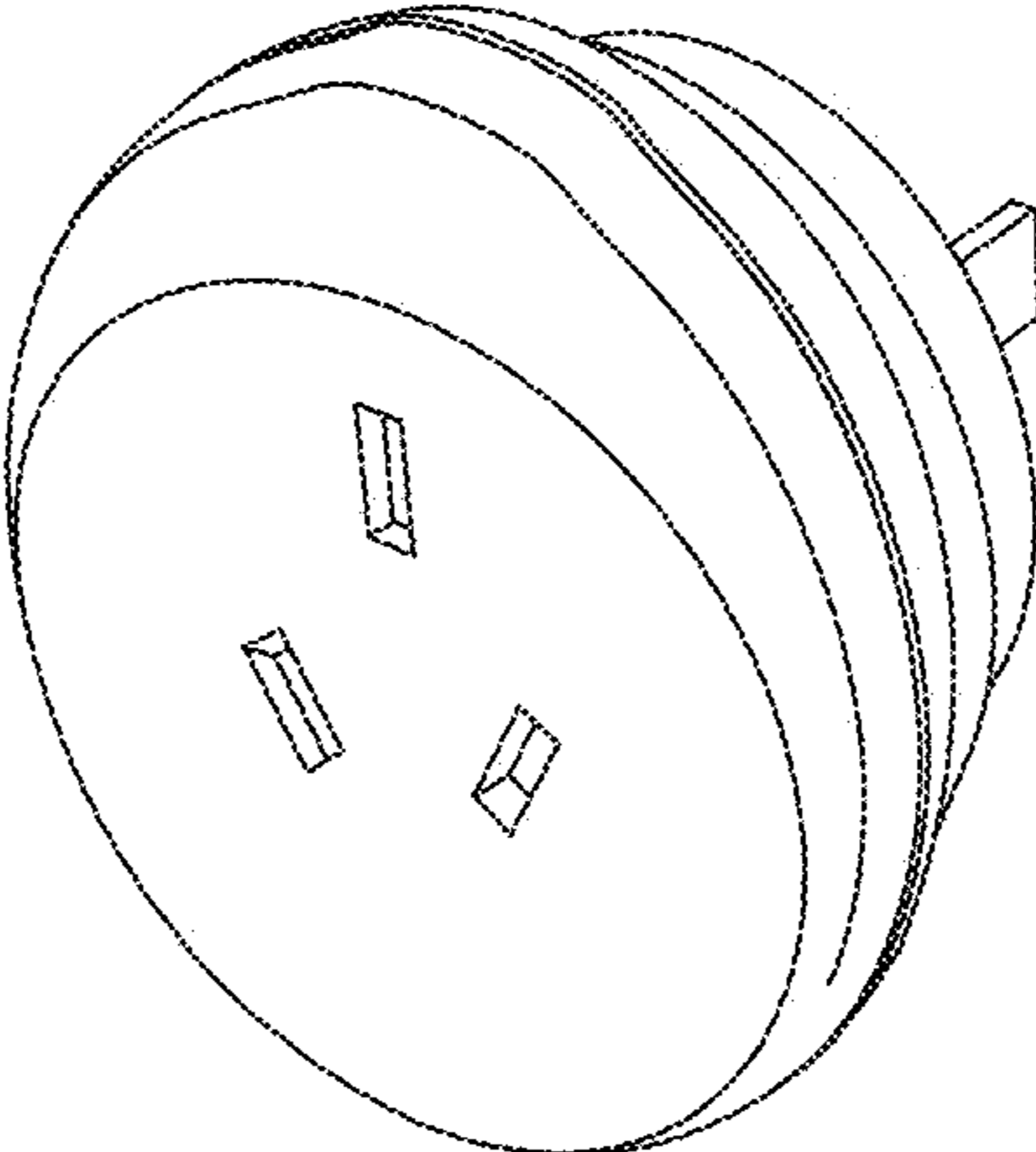


FIG. 1

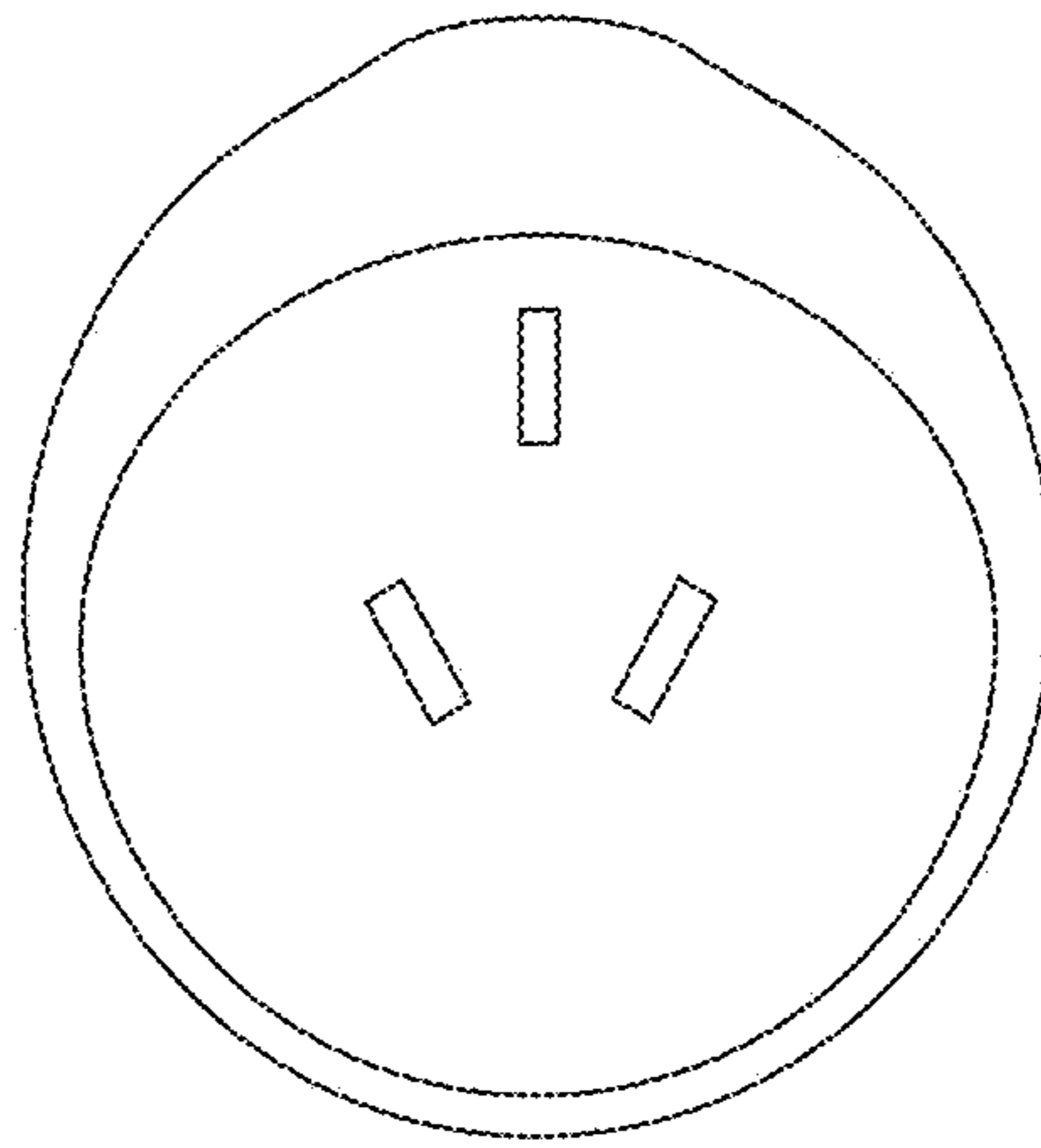


FIG. 2

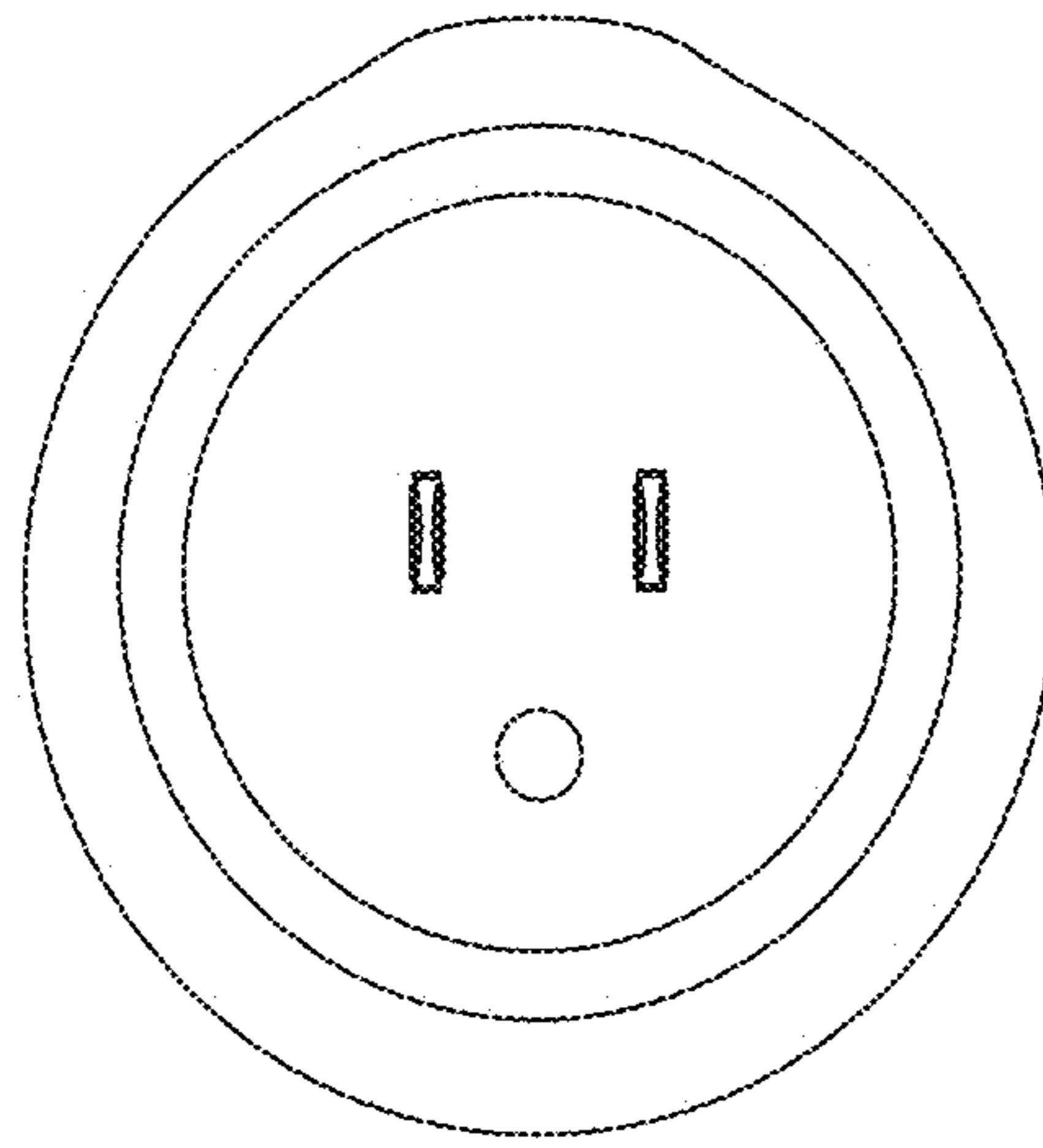


FIG. 3

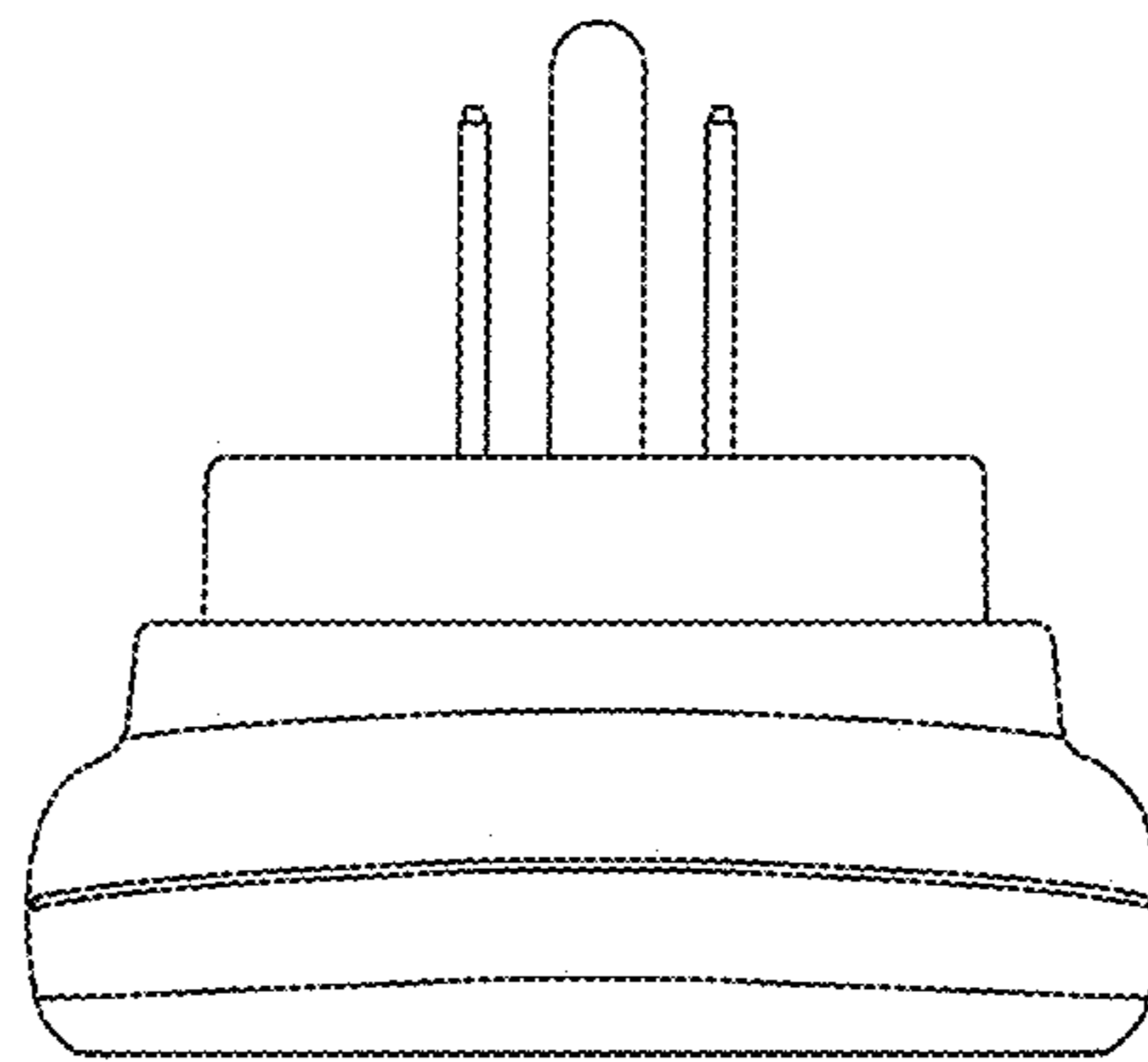


FIG. 4

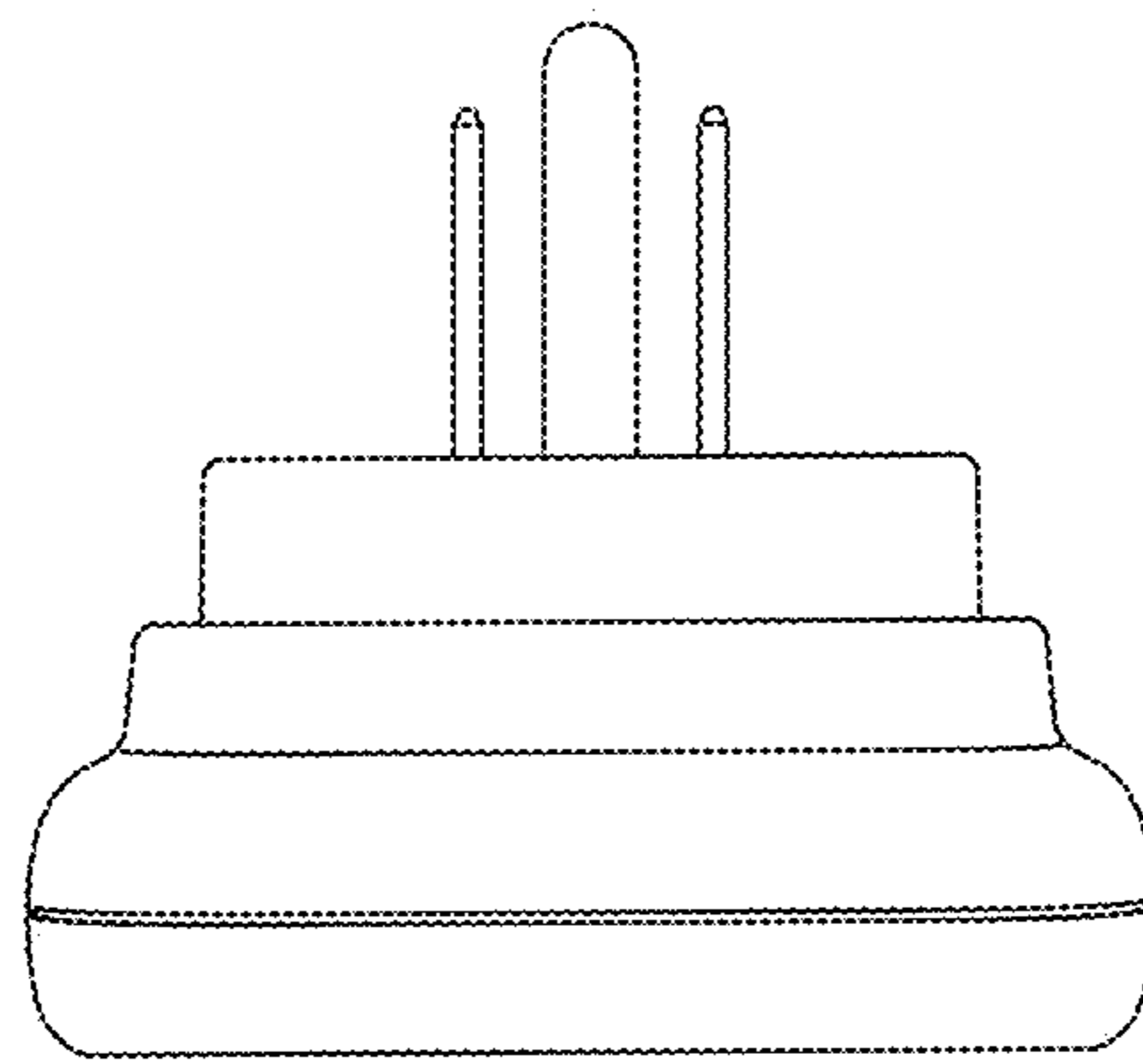


FIG. 5

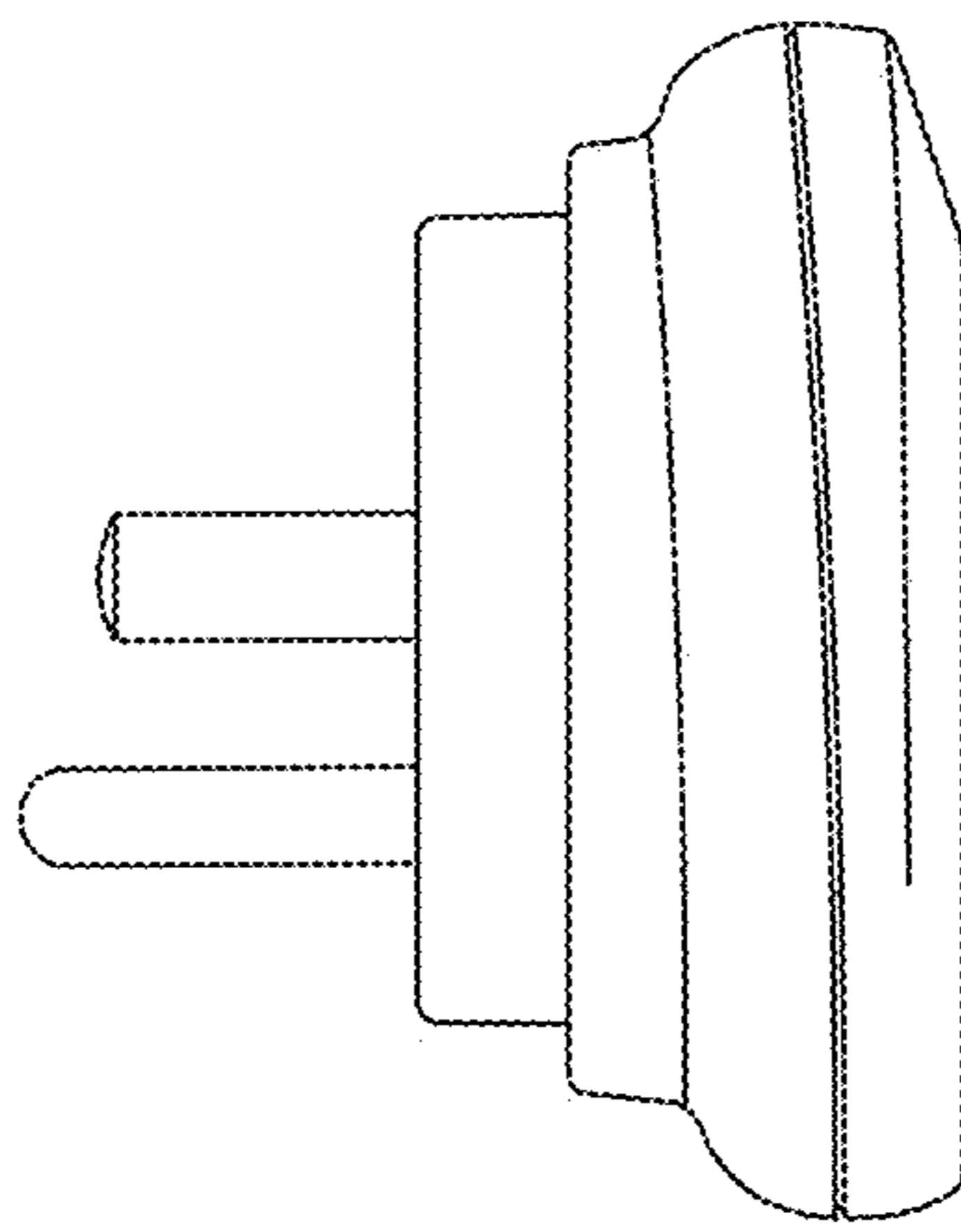


FIG. 6

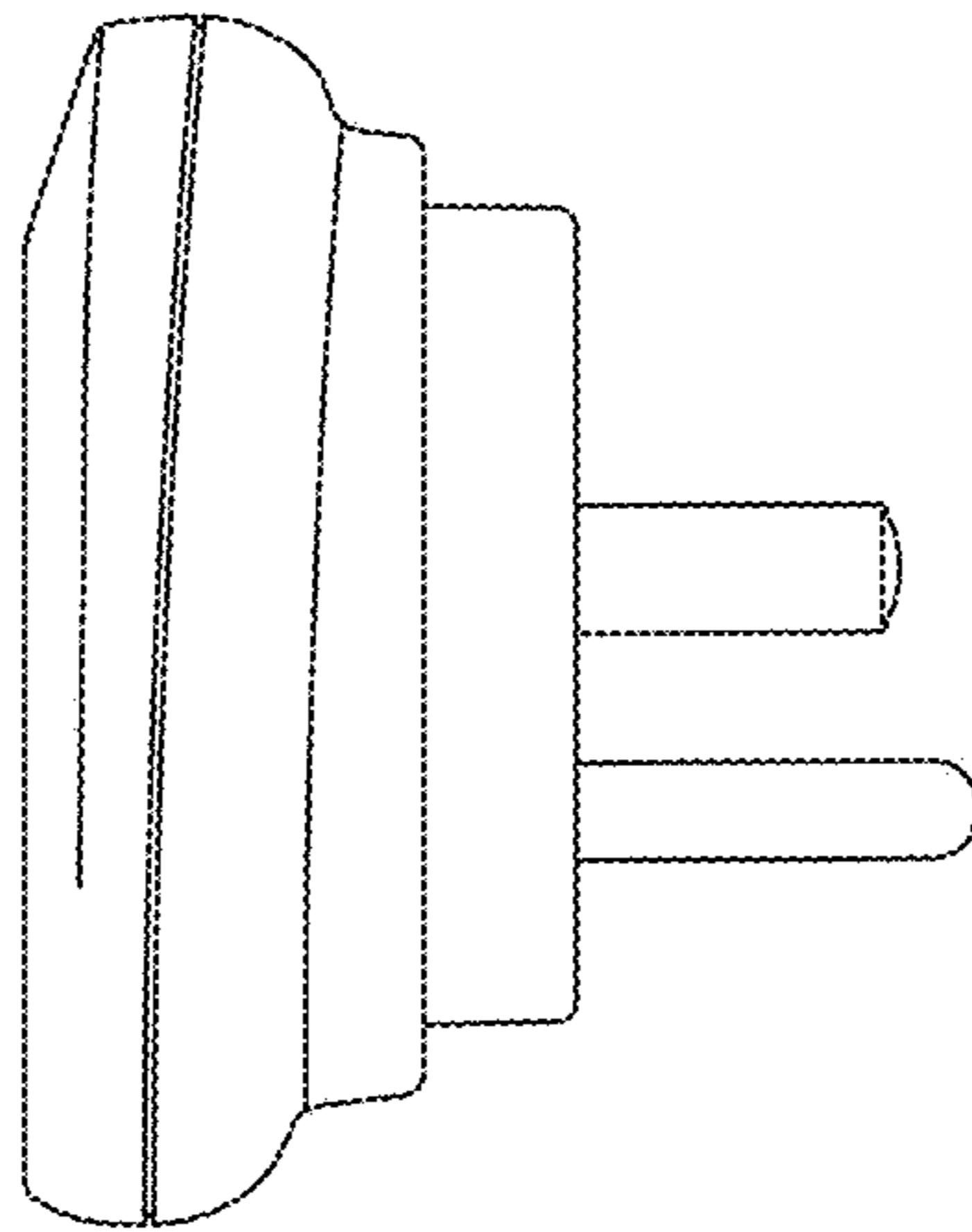


FIG. 7