



US00D870669S

(12) **United States Design Patent**  
**Katagiyama et al.**

(10) **Patent No.:** **US D870,669 S**

(45) **Date of Patent:** **\*\* Dec. 24, 2019**

(54) **CONNECTOR HOUSING**

(71) Applicant: **Japan Aviation Electronics Industry, Limited**, Tokyo (JP)

(72) Inventors: **Naoki Katagiyama**, Tokyo (JP); **Yuichi Koreeda**, Tokyo (JP); **Hideto Shimazu**, Tokyo (JP); **Takayuki Tanaka**, Tokyo (JP)

(73) Assignee: **JAPAN AVIATION ELECTRONICS INDUSTRY, LIMITED**, Tokyo (JP)

(\*\*) Term: **15 Years**

(21) Appl. No.: **29/661,727**

(22) Filed: **Aug. 30, 2018**

(30) **Foreign Application Priority Data**

Mar. 12, 2018 (JP) ..... 2018-005065

(51) **LOC (12) Cl.** ..... **13-03**

(52) **U.S. Cl.**  
USPC ..... **D13/133**

(58) **Field of Classification Search**

USPC ..... D13/110, 112, 118, 123, 133, 146-149,  
D13/154-156, 173, 184, 199

CPC ..... H01R 12/00; H01R 12/71; H01R 12/712;  
H01R 13/50; H01R 13/516; H01R 13/52;  
H01R 13/631; H01R 13/64; H01R  
13/6461; H01R 13/648; H01R 13/6581;  
H01R 24/06; H01R 24/60; H01R 24/70

See application file for complete search history.

(56) **References Cited**

**U.S. PATENT DOCUMENTS**

D503,382 S \* 3/2005 Moriyama ..... D13/123  
D590,776 S \* 4/2009 Kondo ..... D13/147  
7,731,534 B1 \* 6/2010 Yuan ..... H01R 13/639  
439/607.4

D626,510 S \* 11/2010 Kondo ..... D13/147  
D633,047 S \* 2/2011 Nagata ..... D13/147  
D634,711 S \* 3/2011 Kondo ..... D13/147  
D654,439 S \* 2/2012 Sasaki ..... D13/147  
2002/0142636 A1 \* 10/2002 Murr ..... H01R 13/6582  
439/108  
2010/0167594 A1 \* 7/2010 Lee ..... H01R 13/62  
439/660  
2013/0316592 A1 \* 11/2013 Yu ..... H01R 13/516  
439/660  
2014/0073169 A1 \* 3/2014 Xu ..... H01R 13/11  
439/345  
2015/0155664 A1 \* 6/2015 Lu ..... H01R 13/506  
439/607.24  
2017/0179634 A1 \* 6/2017 Du ..... H01R 13/521

\* cited by examiner

*Primary Examiner* — Angela J Lee

*Assistant Examiner* — Shawn T Gingrich

(74) *Attorney, Agent, or Firm* — Manabu Kanesaka

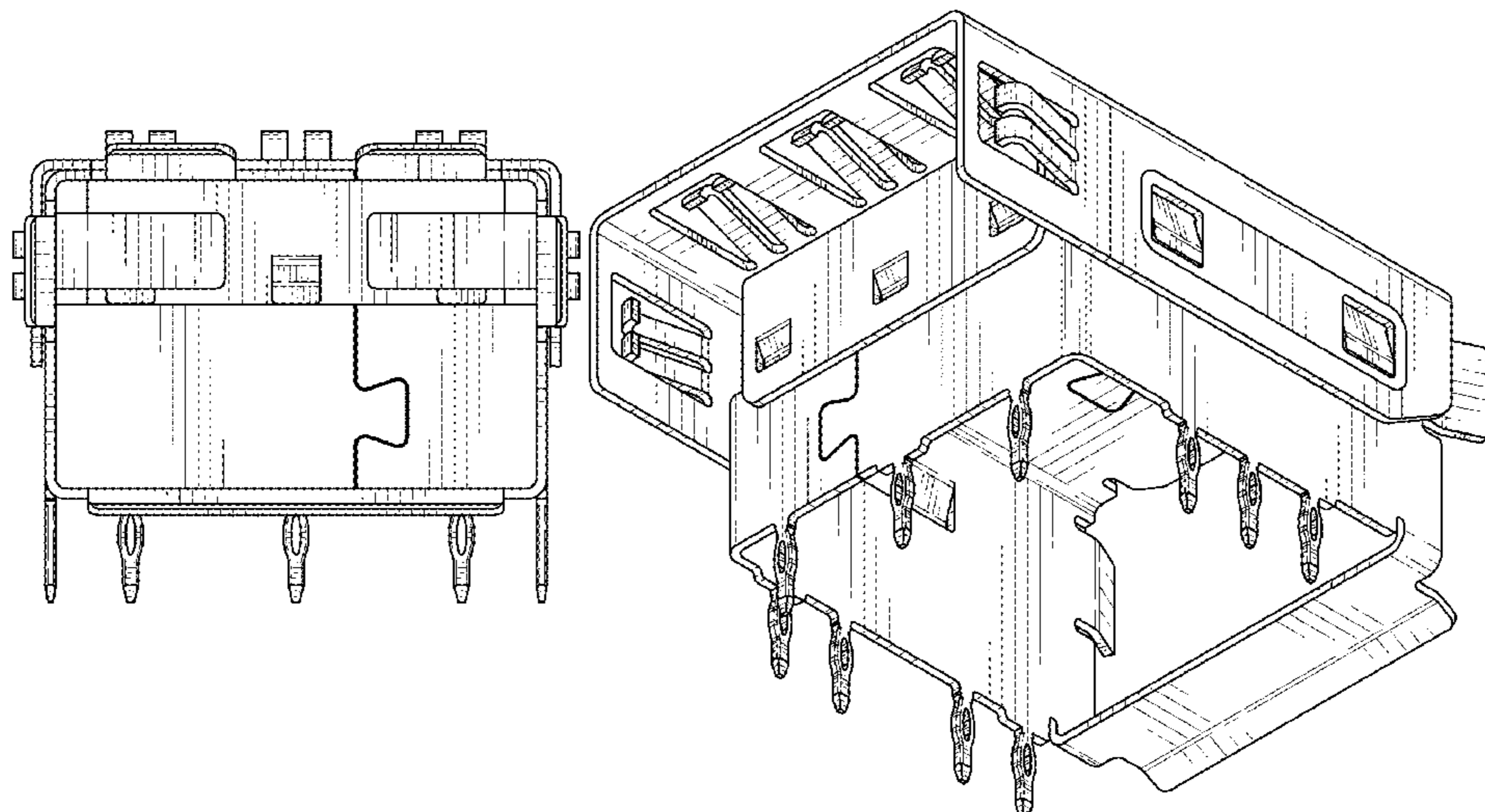
(57) **CLAIM**

The ornamental design for a connector housing, as shown and described.

**DESCRIPTION**

FIG. 1 is a front elevational view of a connector housing showing our new design;  
FIG. 2 is a rear elevational view thereof;  
FIG. 3 is a right side elevational view thereof;  
FIG. 4 is a left side elevational view thereof;  
FIG. 5 is a top plan view thereof;  
FIG. 6 is a bottom plan view thereof;  
FIG. 7 is a perspective view showing a front, top and right side thereof;  
FIG. 8 is a perspective view showing a rear, bottom and left side thereof;  
FIG. 9 is a perspective view showing a front, right and bottom side thereof; and,  
FIG. 10 is a perspective view showing a rear, left and top side thereof.

**1 Claim, 5 Drawing Sheets**



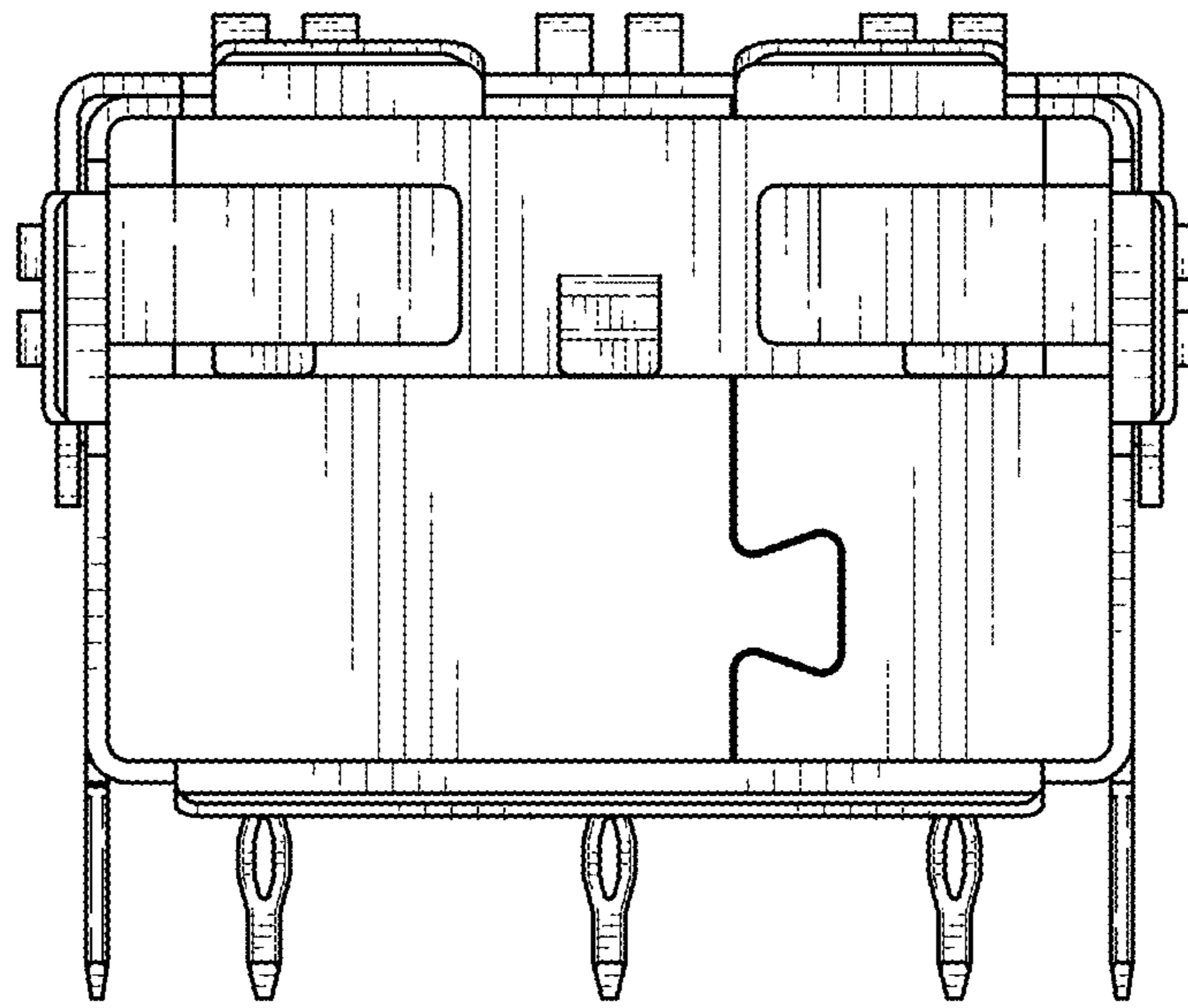


FIG. 1

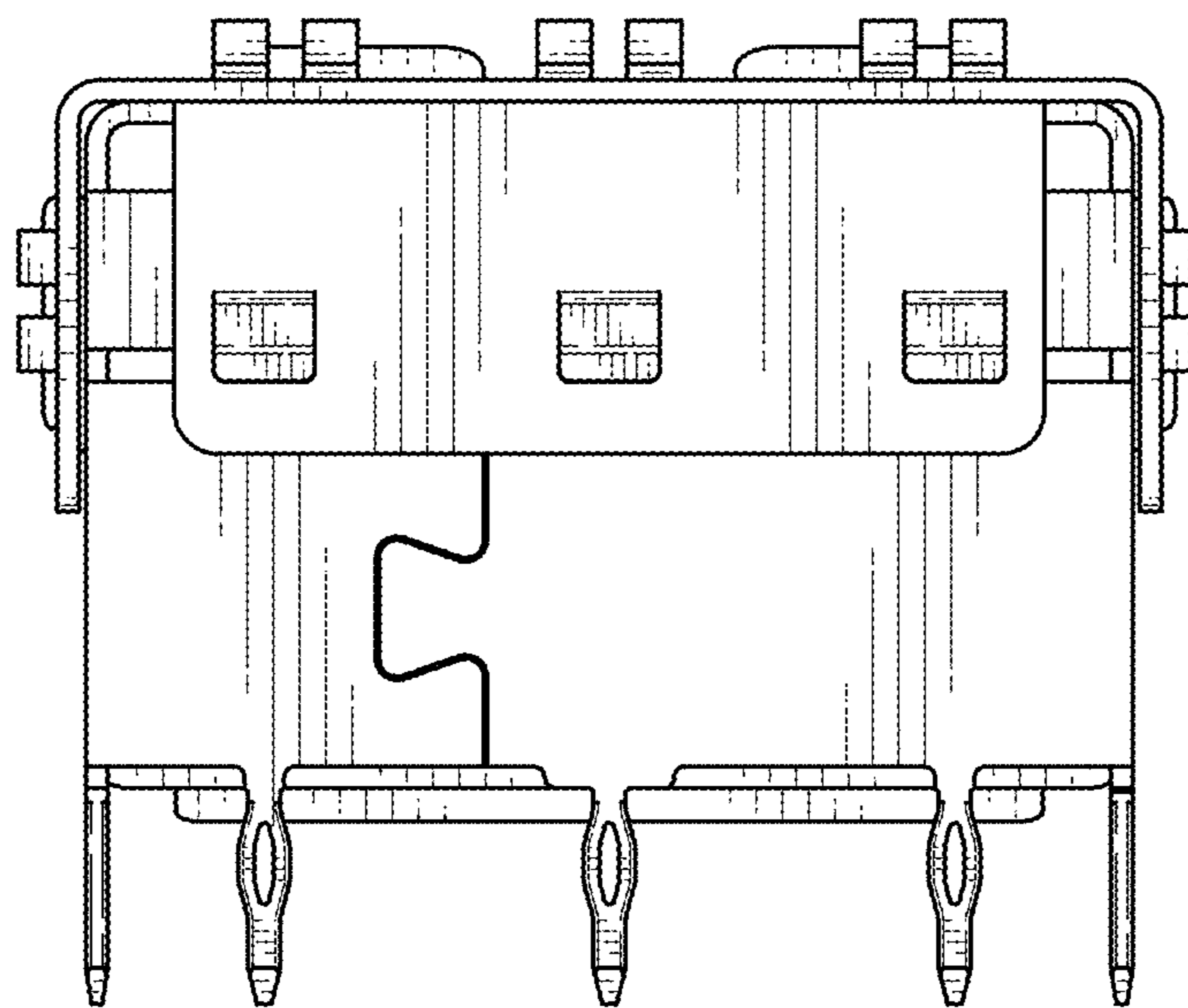


FIG. 2

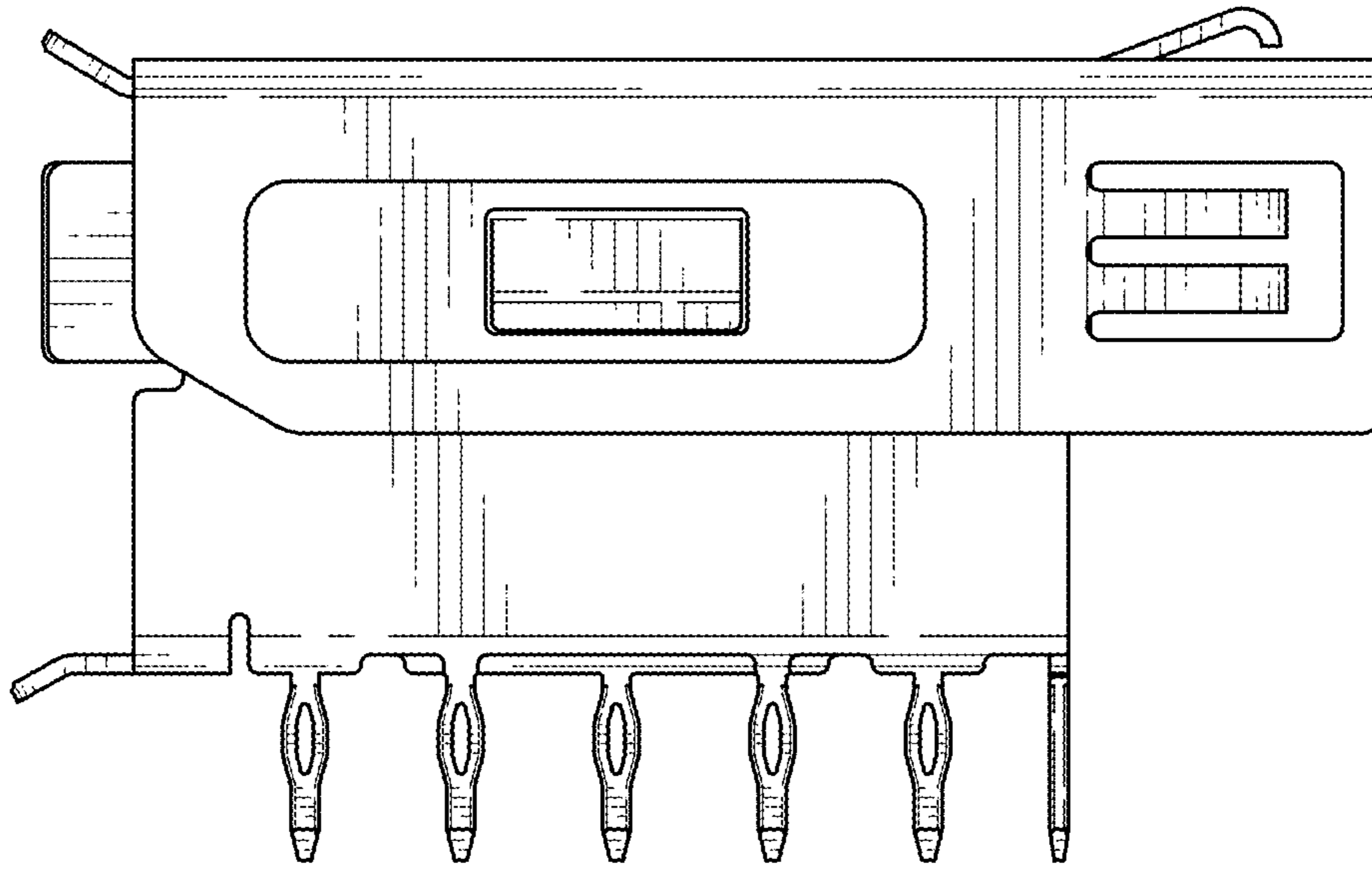


FIG. 3

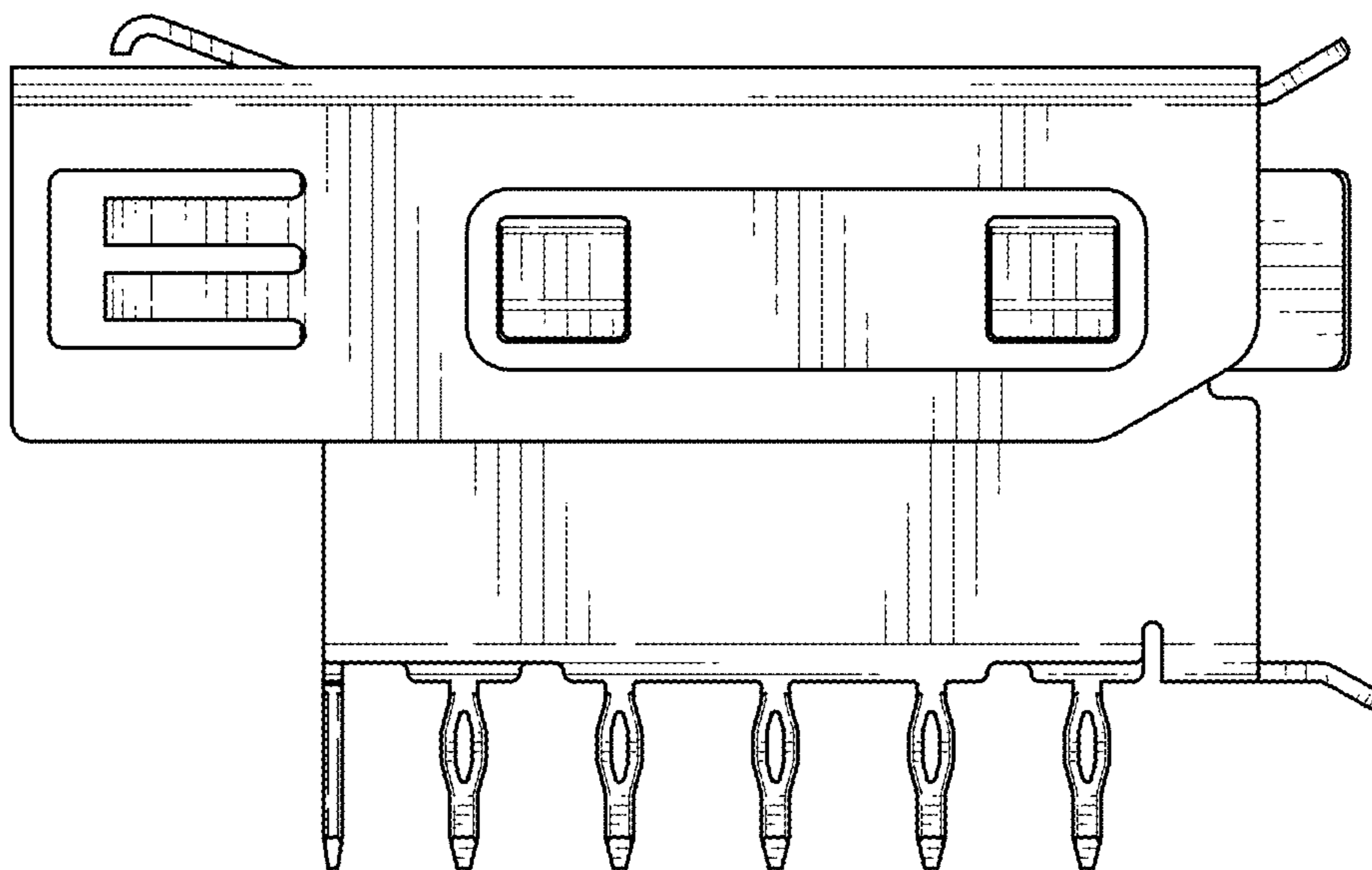


FIG. 4

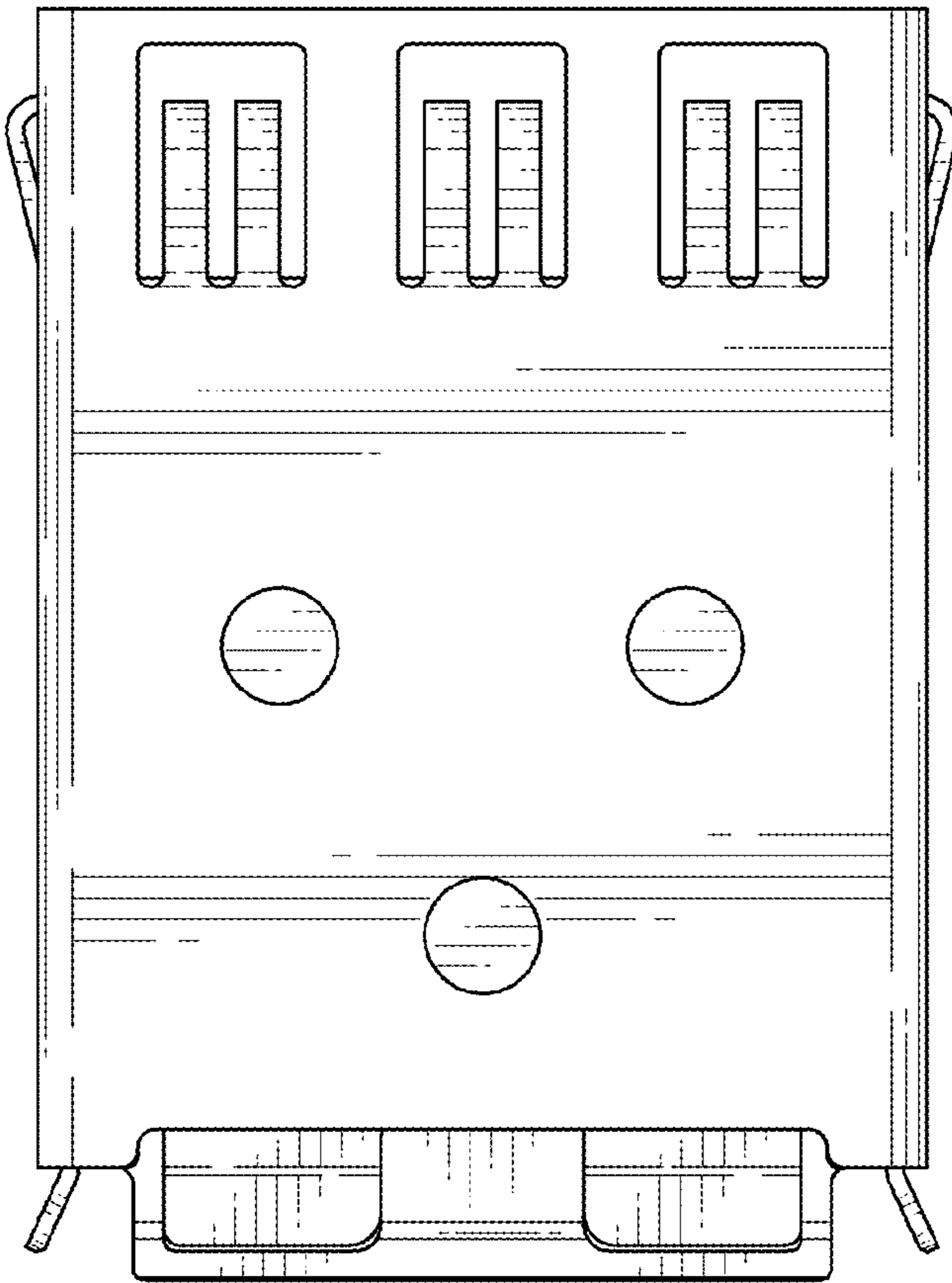


FIG. 5

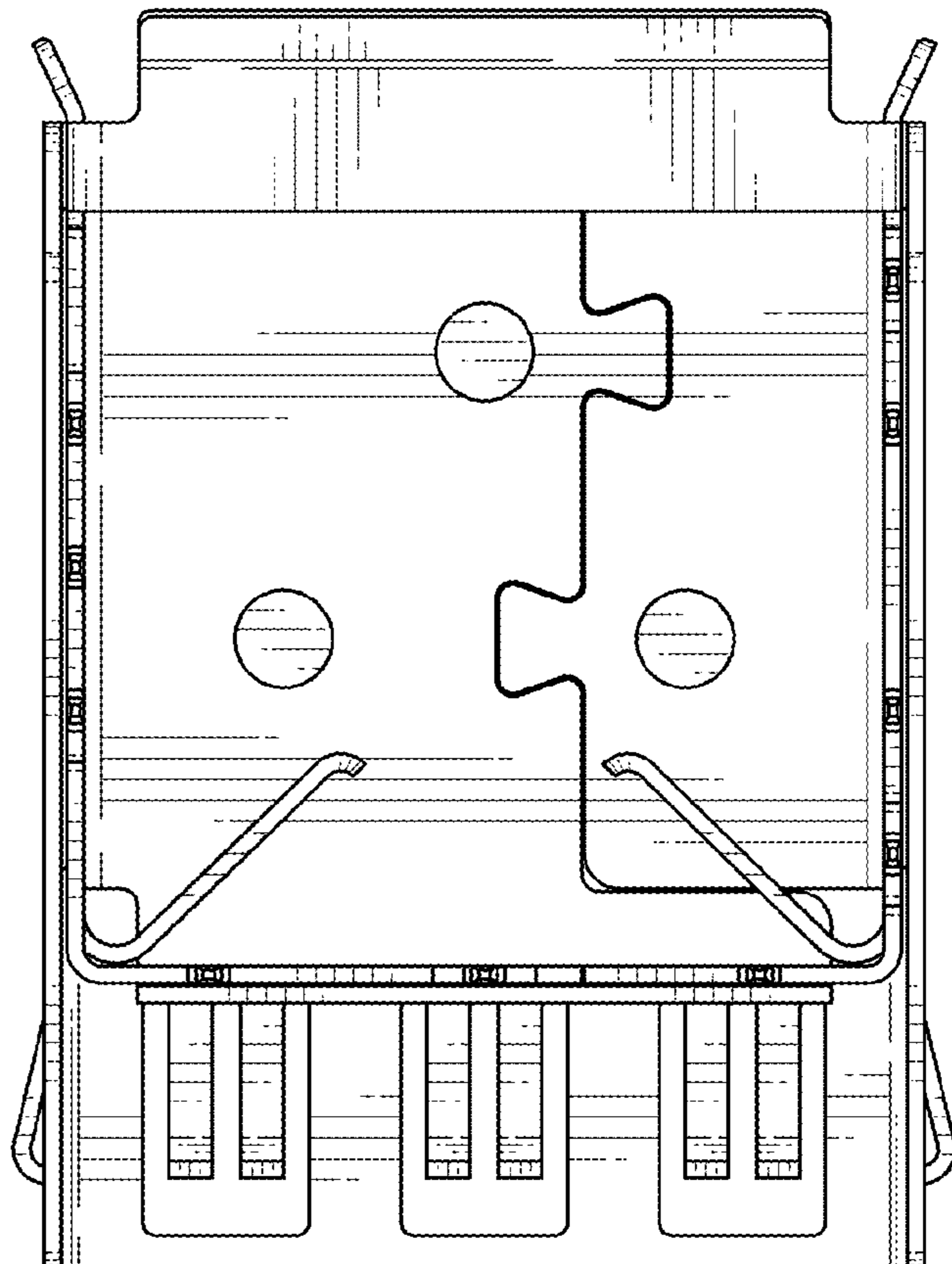


FIG. 6



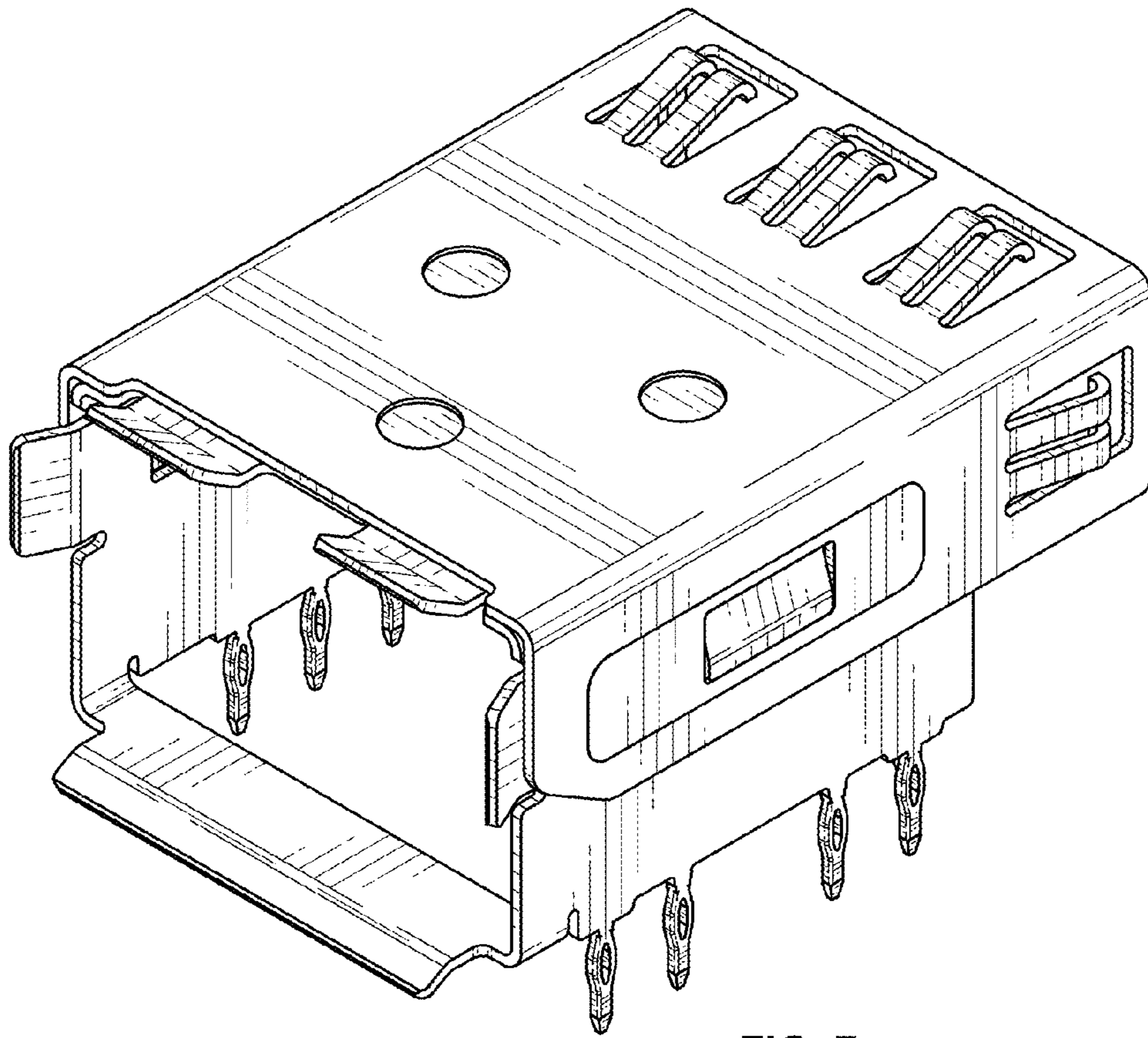


FIG. 7

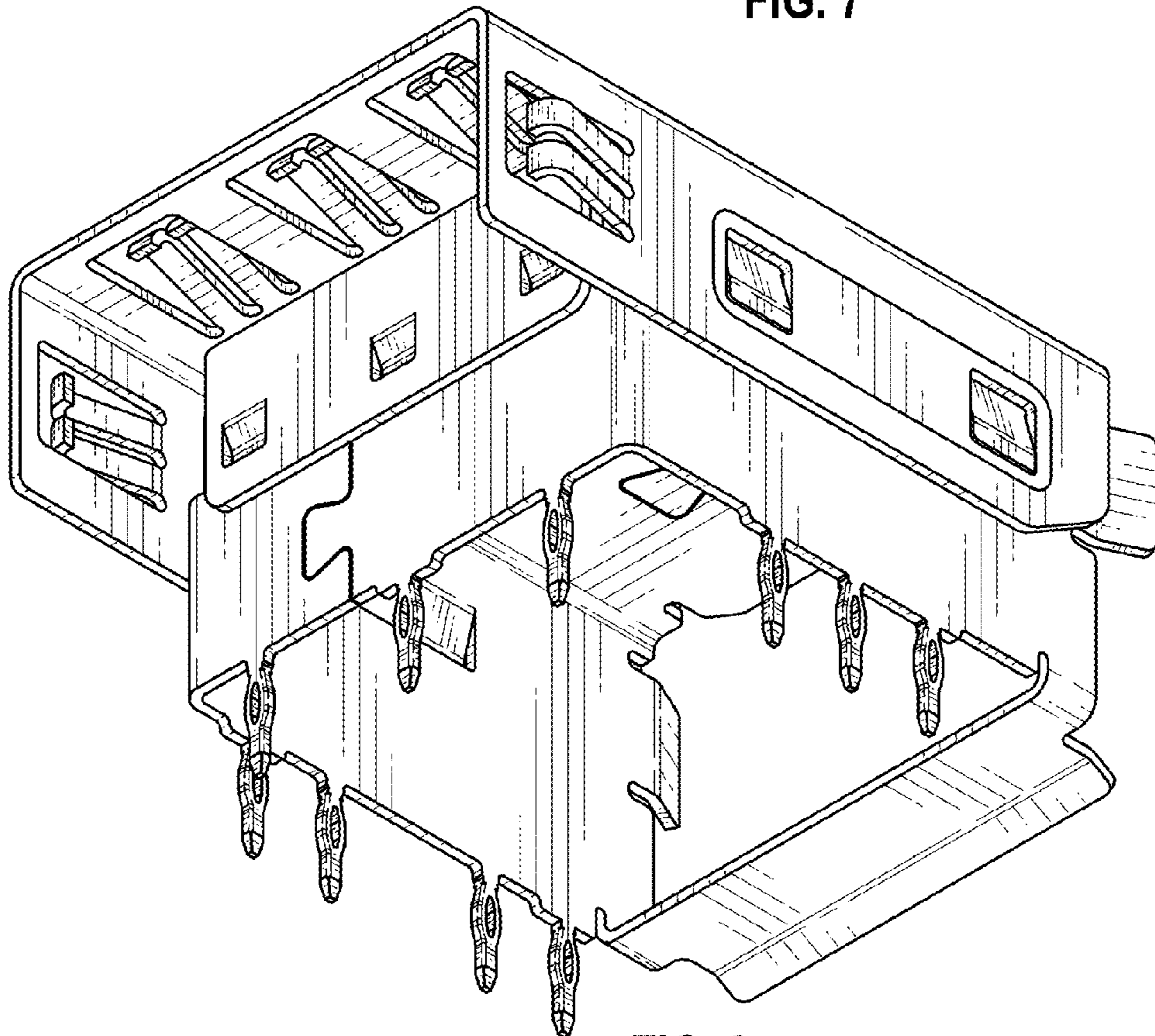


FIG. 8

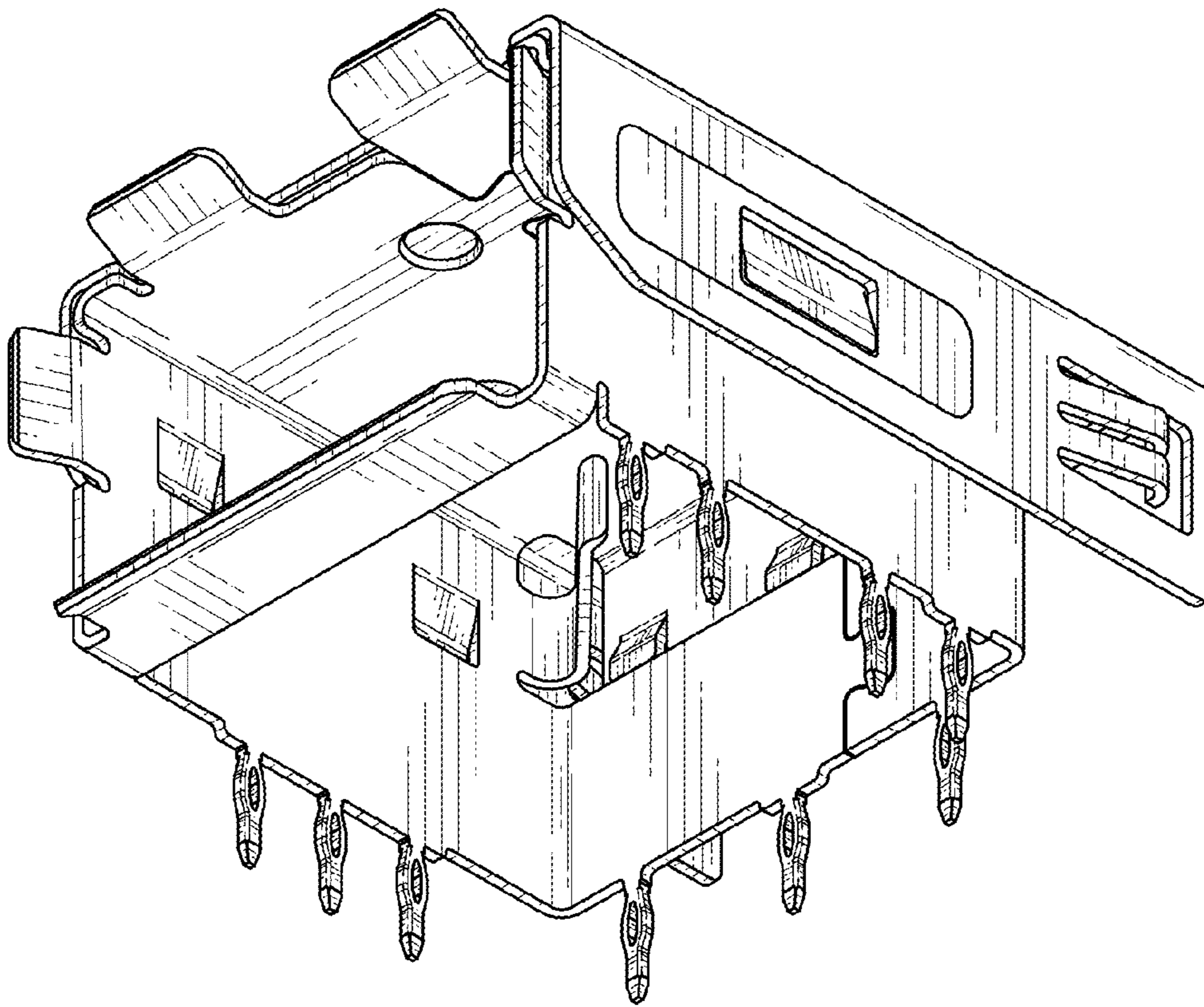


FIG. 9

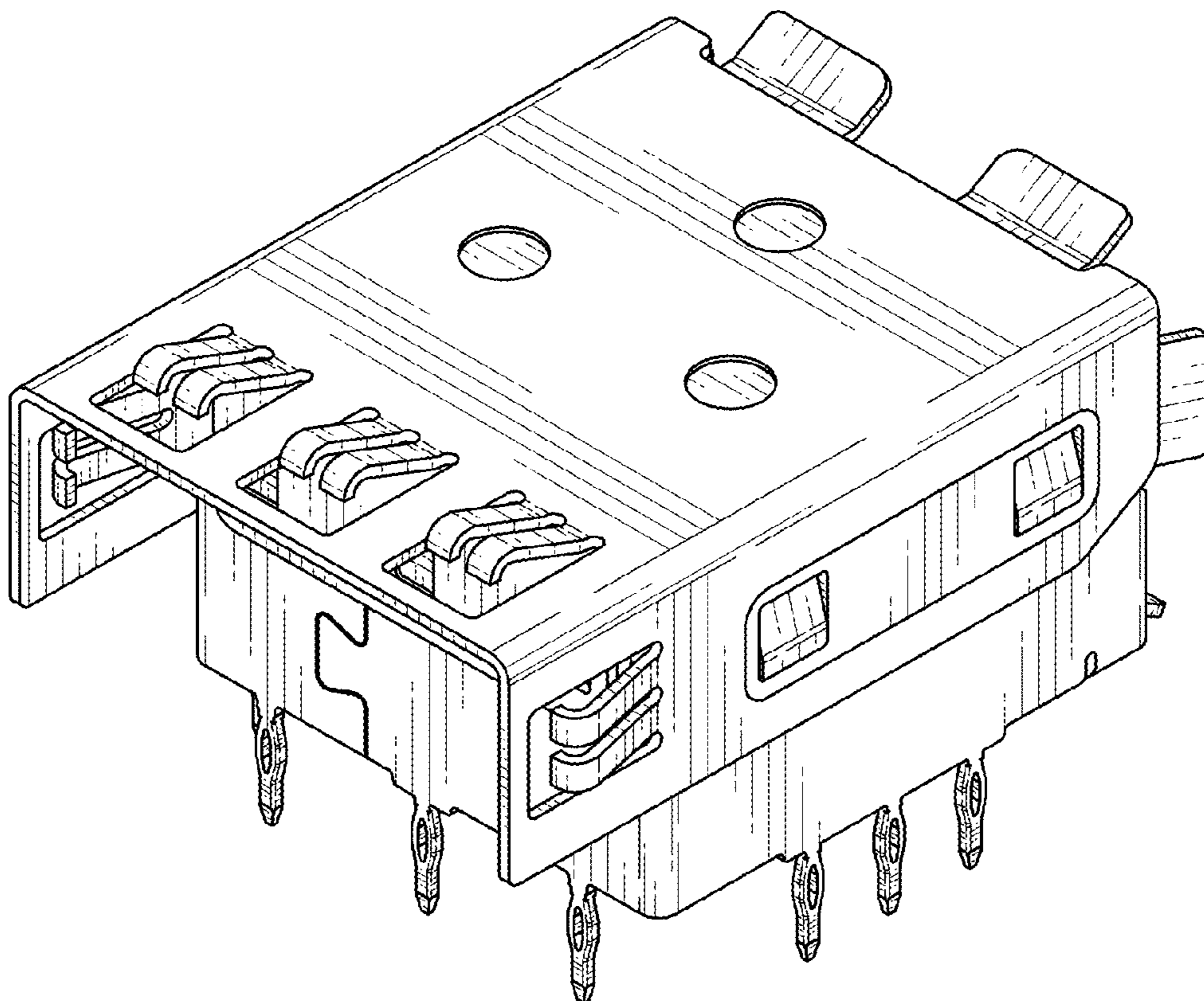


FIG. 10