



US00D870668S

(12) **United States Design Patent** (10) **Patent No.:** **US D870,668 S**  
**Marth** (45) **Date of Patent:** **\*\* Dec. 24, 2019**

(54) **ELECTRIC MOTOR**

CPC .. H02K 5/04; H02K 5/10; H02K 5/22; H02K 5/148; H02K 29/14; H02P 6/06; F28F 1/20

(71) Applicant: **Physik Instrumente (PI) GmbH & Co. KG**, Karlsruhe (DE)

See application file for complete search history.

(72) Inventor: **Harry Marth**, Waldbronn (DE)

(56) **References Cited**

(73) Assignee: **Physik Instruments (PI) GmbH & Co. KG**, Karlsruhe (DE)

U.S. PATENT DOCUMENTS

(\*\*) Term: **15 Years**

D294,141 S *	2/1988	Ueda .....	D13/112
D502,917 S *	3/2005	Bird .....	D13/112
D551,167 S *	9/2007	Kubota .....	D13/112
D612,804 S *	3/2010	Schmeisser .....	D13/122
D707,257 S *	6/2014	Song .....	D15/5
D709,450 S *	7/2014	Tanabe .....	D13/112
D751,036 S *	3/2016	Svensson .....	D13/112

(21) Appl. No.: **29/593,930**

(22) Filed: **Feb. 14, 2017**

\* cited by examiner

**Related U.S. Application Data**

(62) Division of application No. 35/500,353, filed on Oct. 12, 2015 (U.S. filing date under 35 U.S.C. 384), and having an international filing date of Oct. 12, 2015, now Pat. No. Des. 790,467.

*Primary Examiner* — Derrick E Holland

(74) *Attorney, Agent, or Firm* — The Juhasz Law Firm

(30) **Foreign Application Priority Data**

Apr. 10, 2015 (DE) ..... 40 2015 000 648

(51) **LOC (12) Cl.** ..... **13-01**

(52) **U.S. Cl.**  
USPC ..... **D13/112**

(58) **Field of Classification Search**

USPC ..... D13/112, 113, 114, 122, 199; D15/3, 5, D15/199; 74/606 R, 609; 310/10, 40 R, 310/42, 51, 58, 71, 80, 83, 85, 89, 91, 310/109, 236, 239, 254; 318/245, 255

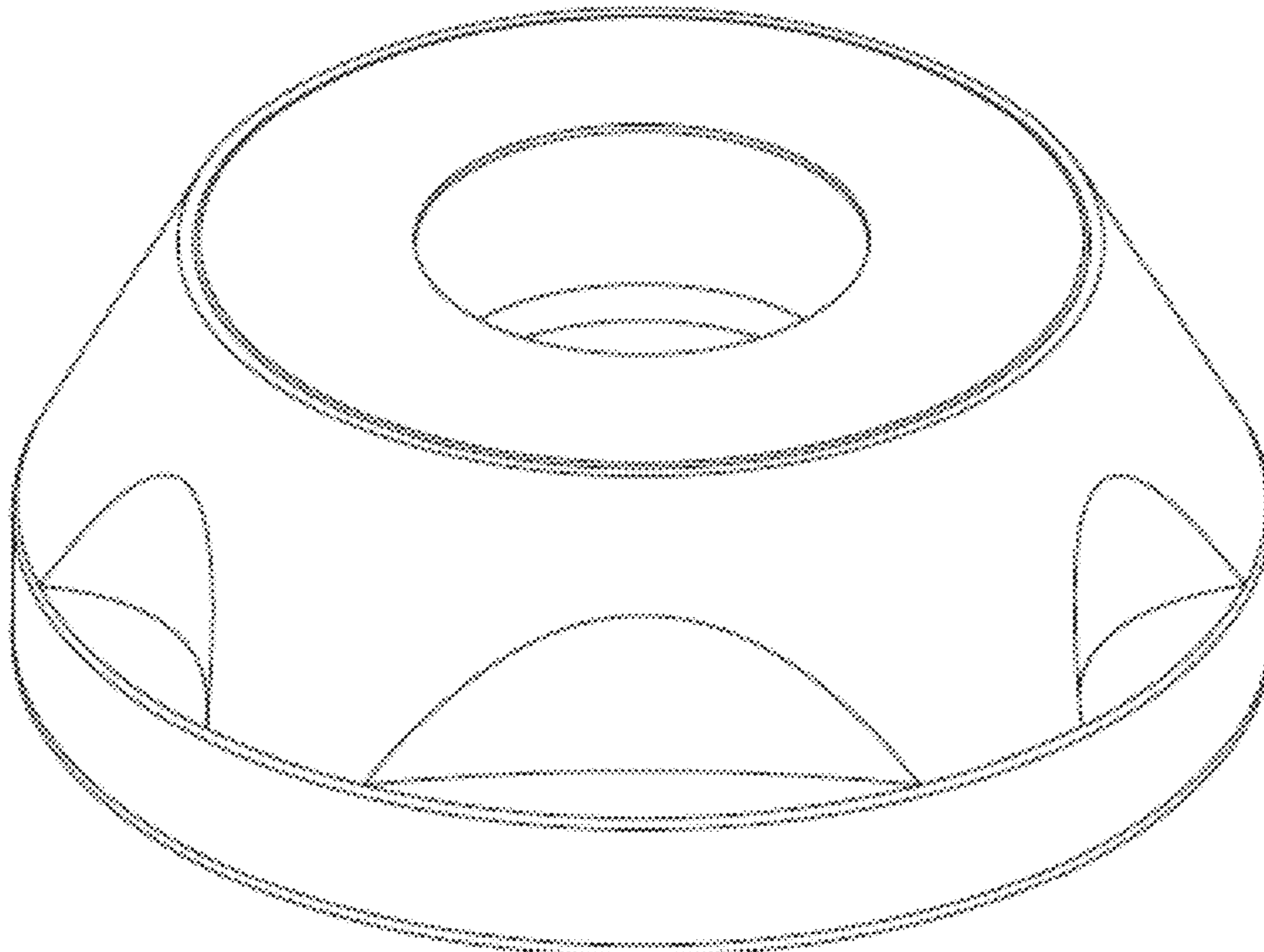
(57) **CLAIM**

The ornamental design for an electric motor, as shown and described.

**DESCRIPTION**

FIG. 1 is a perspective view of an electric motor showing my new design;  
FIG. 2 is a top plan view thereof;  
FIG. 3 is a first side view thereof;  
FIG. 4 is a second side view thereof;  
FIG. 5 is a third side view thereof; and,  
FIG. 6 is a fourth side view thereof.

**1 Claim, 3 Drawing Sheets**



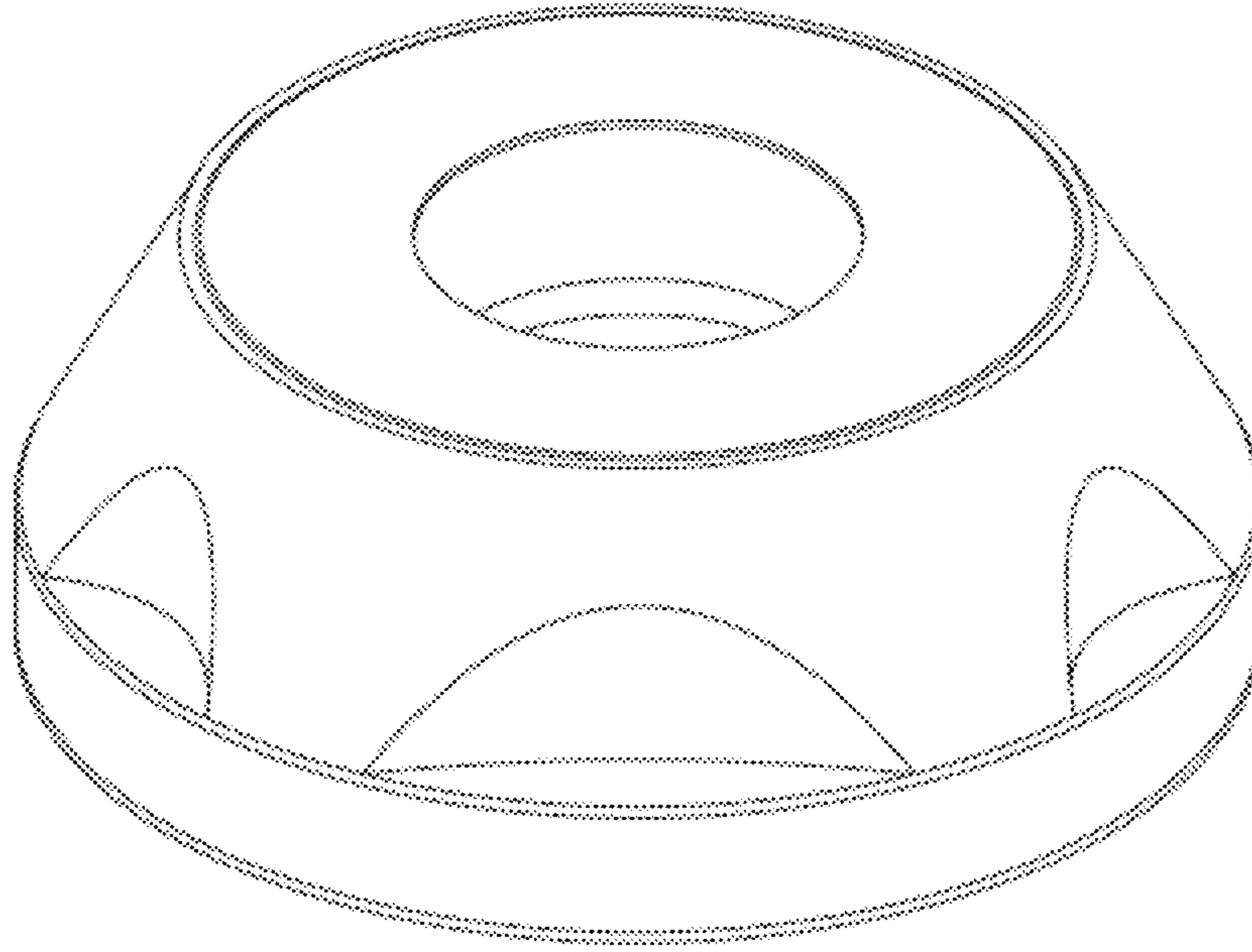


FIG. 1

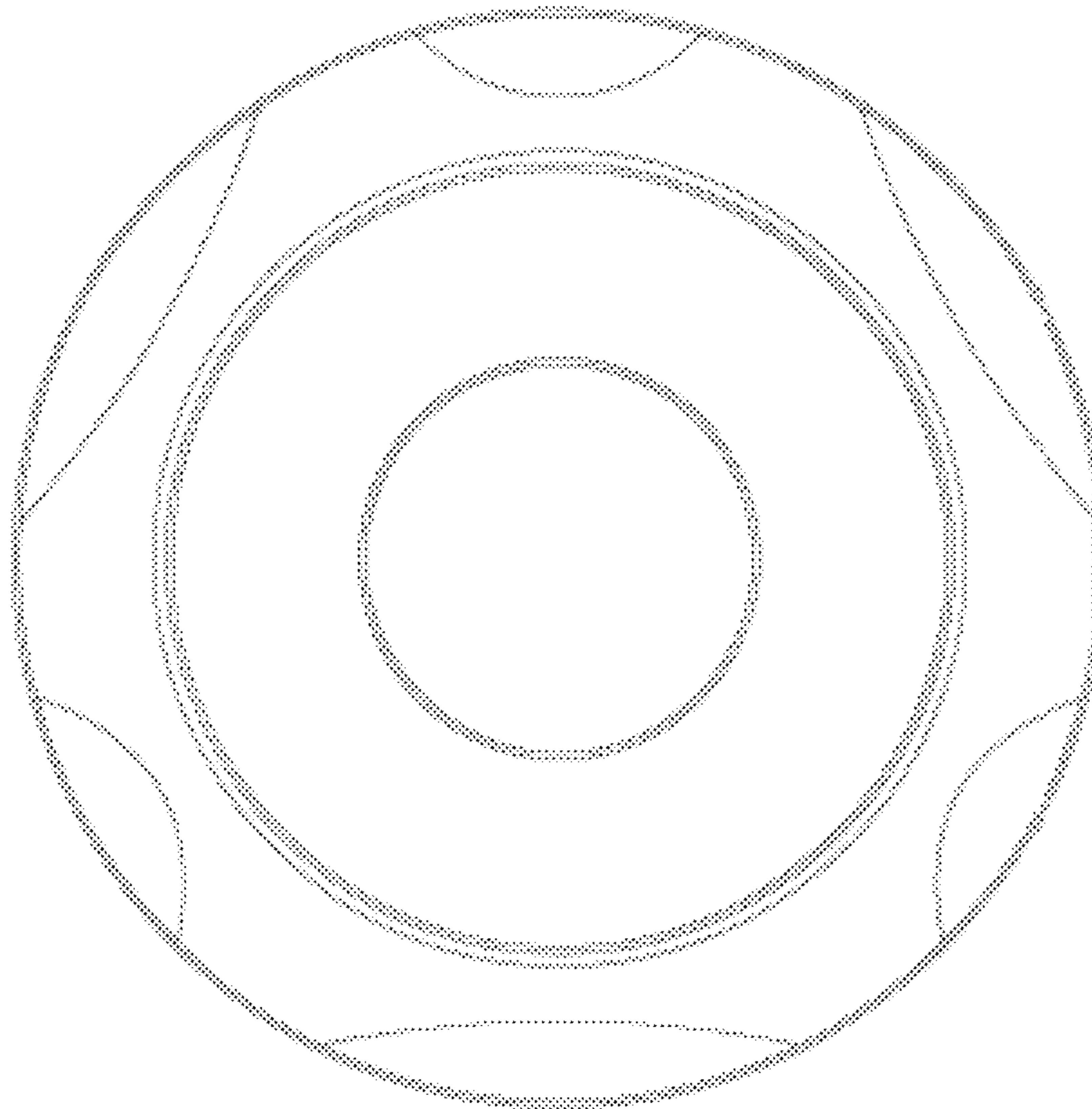


FIG. 2

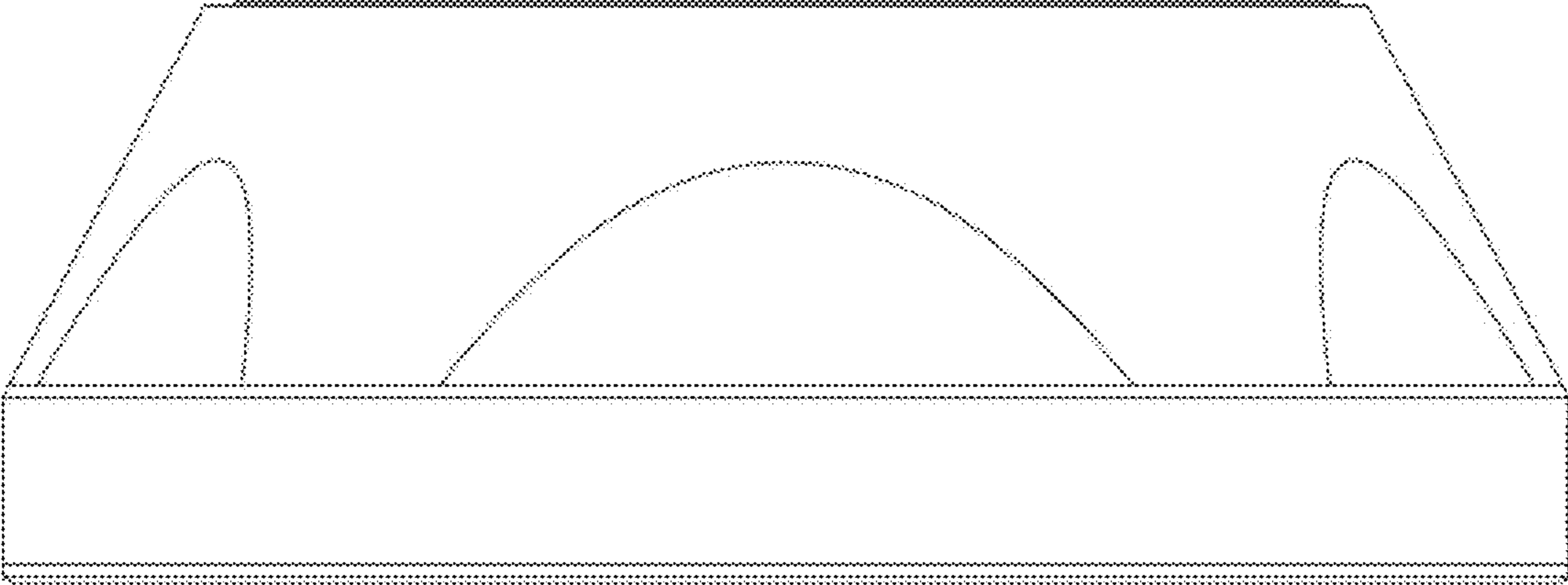


FIG. 3

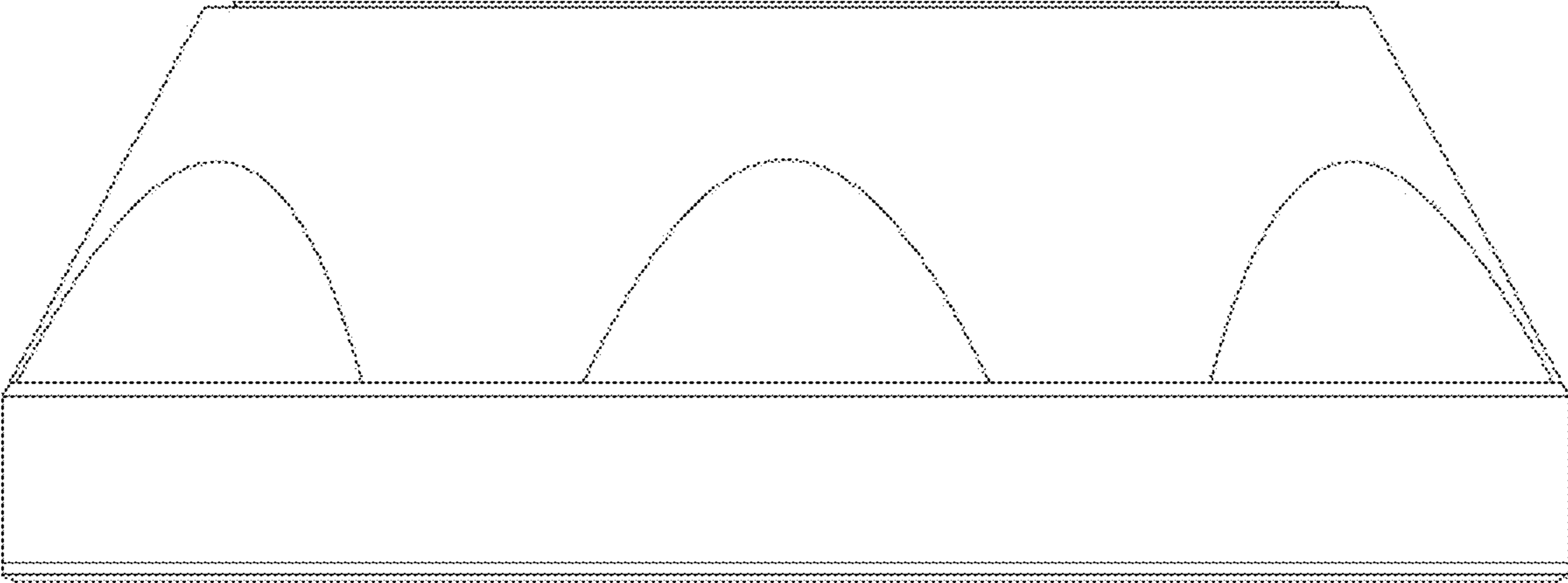


FIG. 4

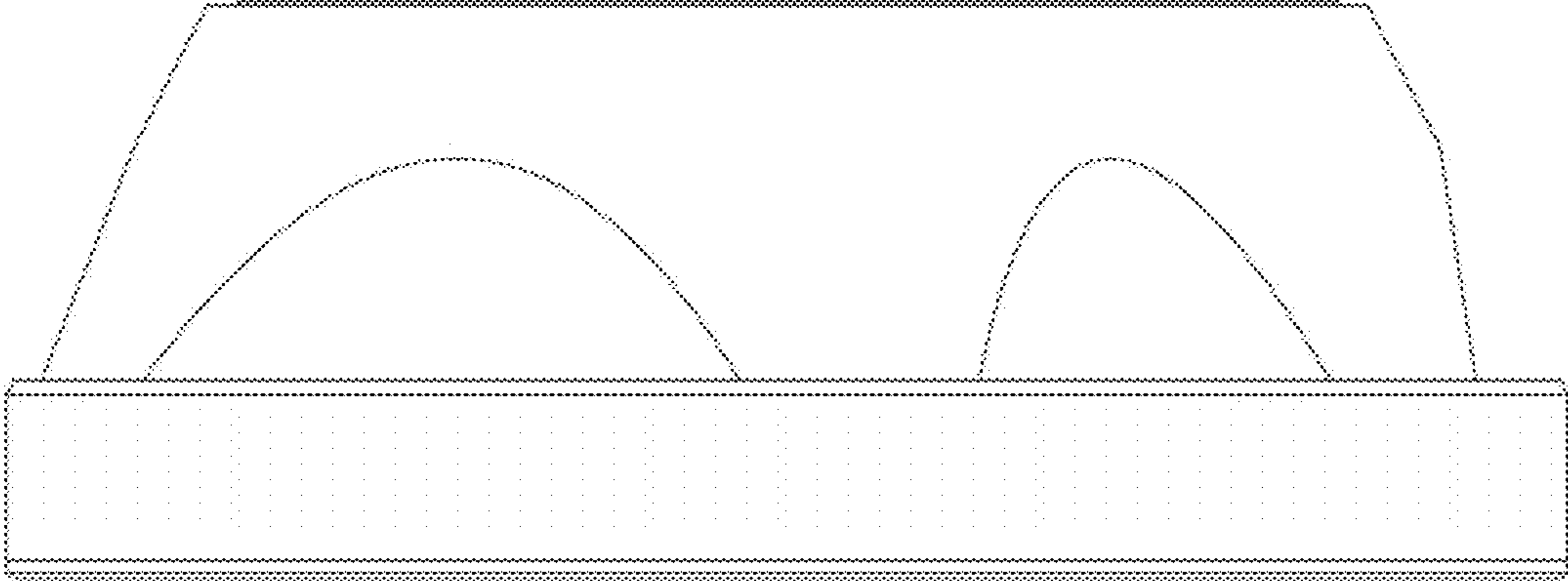


FIG. 5

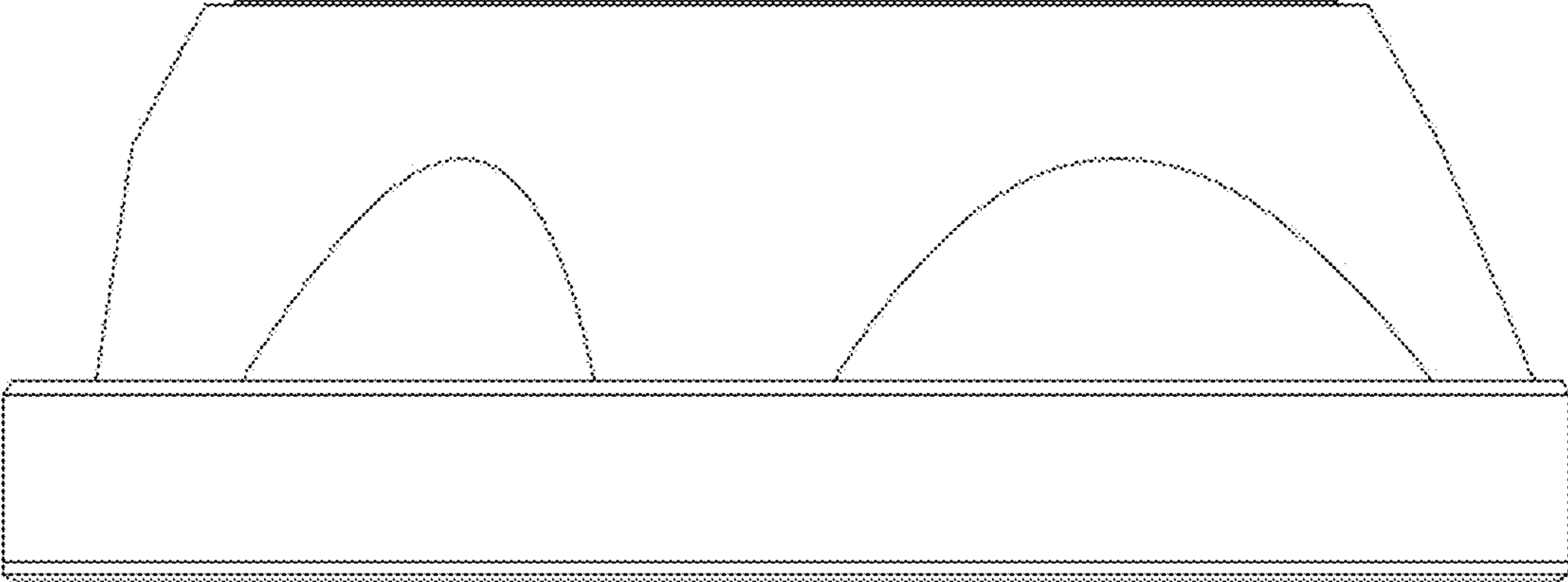


FIG. 6