



US00D870667S

(12) **United States Design Patent**  
**James**

(10) **Patent No.:** **US D870,667 S**

(45) **Date of Patent:** **\*\* Dec. 24, 2019**

(54) **POWER INVERTER**

(71) Applicant: **International Specialty Services, Inc.**,  
Travelers Rest, SC (US)

(72) Inventor: **Chad James**, Greenville, SC (US)

(73) Assignee: **International Specialty Services, Inc.**,  
Travelers Rest, SC (US)

(\*\*) Term: **15 Years**

(21) Appl. No.: **29/633,102**

(22) Filed: **Jan. 12, 2018**

(51) **LOC (12) Cl.** ..... **13-02**

(52) **U.S. Cl.**  
USPC ..... **D13/110**

(58) **Field of Classification Search**  
USPC ..... D13/110, 184; D14/188  
CPC .. H05K 7/209; H05K 5/0217; H05K 7/20927;  
H05K 9/0022; H05K 7/20918; H05K  
7/20909; H02M 5/44; H02M 7/003  
See application file for complete search history.

(56) **References Cited**

**U.S. PATENT DOCUMENTS**

D343,395 S *	1/1994	Kakizaki	.....	D14/188
D401,216 S *	11/1998	Person	.....	D13/110
D413,567 S *	9/1999	Person	.....	D13/110
5,949,640 A *	9/1999	Cameron	.....	H05K 5/0247 361/600
D427,969 S *	7/2000	Wei	.....	D13/110
D644,603 S *	9/2011	Liu	.....	D13/102
D704,638 S *	5/2014	Inskeep	.....	D13/110

D761,203 S *	7/2016	Inskeep	.....	D13/110
D806,025 S *	12/2017	Ceravalo	.....	D13/110
D826,154 S *	8/2018	Ceravalo	.....	D13/110
D829,653 S *	10/2018	Inskeep	.....	D13/110

\* cited by examiner

*Primary Examiner* — Bridget L Eland

(74) *Attorney, Agent, or Firm* — J. Bennett Mullinax,  
LLC

(57) **CLAIM**

The ornamental design for a power inverter, as shown and described.

**DESCRIPTION**

FIG. 1 is a front perspective view of a power inverter showing my new invention;

FIG. 2 is a front view of the power inverter as shown in FIG. 1;

FIG. 3 is a rear view of the power inverter as shown in FIG. 1;

FIG. 4 is a left side view of the power inverter as shown in FIG. 1;

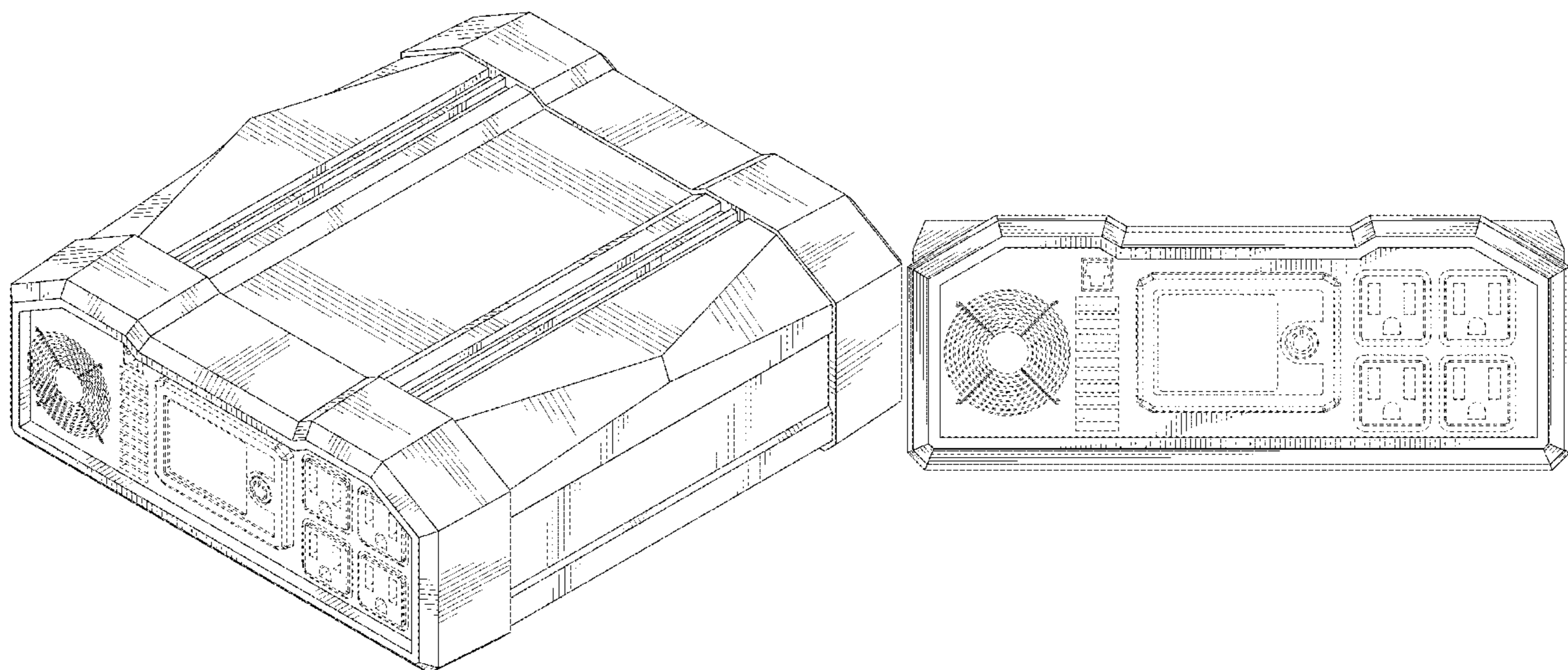
FIG. 5 is a right side view of the power inverter as shown in FIG. 1;

FIG. 6 is a top view of the power inverter as shown in FIG. 1; and,

FIG. 7 is a bottom view of the power inverter as shown in FIG. 1.

The broken lines immediately adjacent to the full line showing of the claimed design represent the bounds of the claimed design while all other broken lines are directed to environment and are for illustrative purposes only; the broken lines form no part of the claimed design.

**1 Claim, 6 Drawing Sheets**



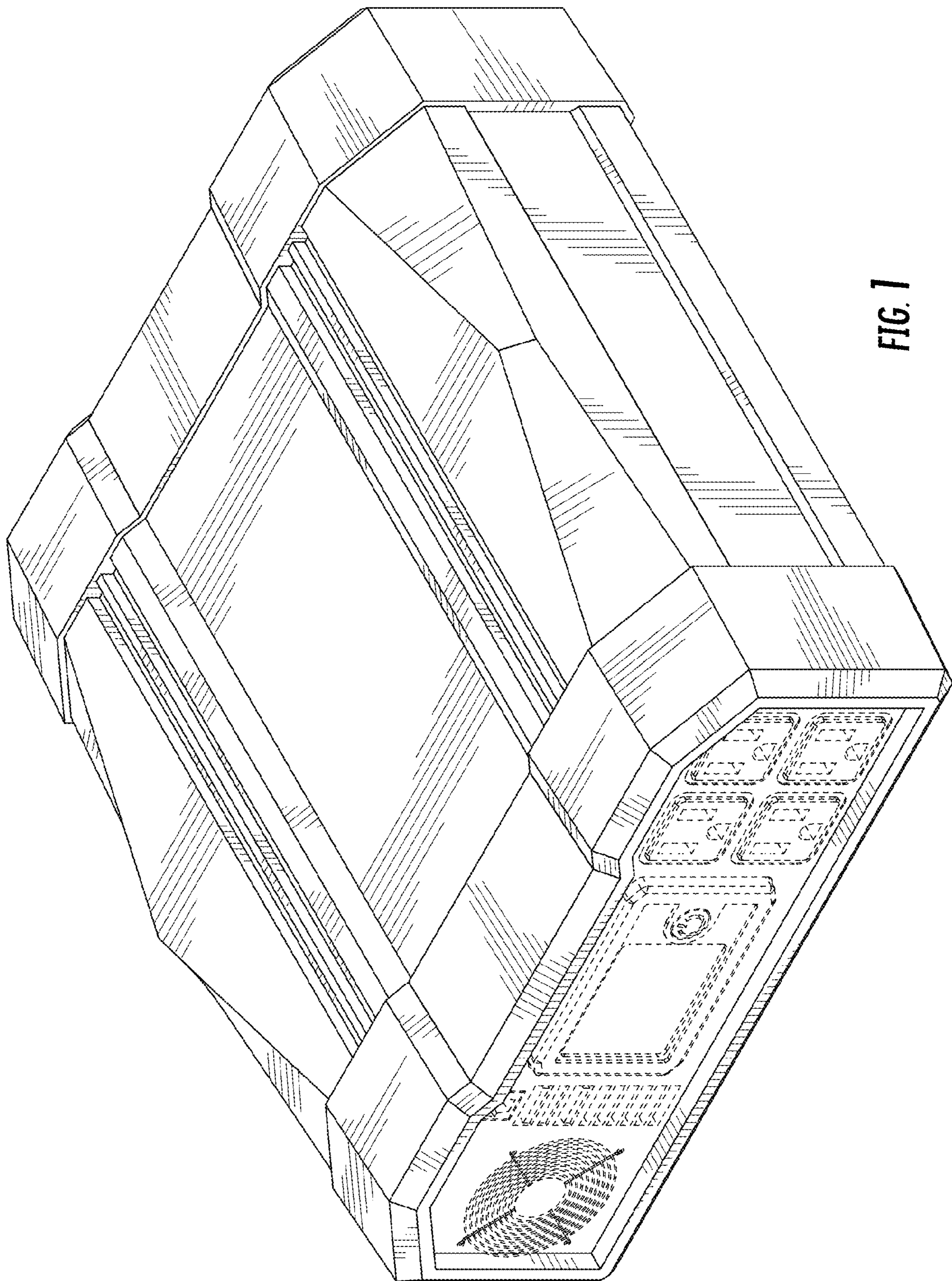


FIG. 1



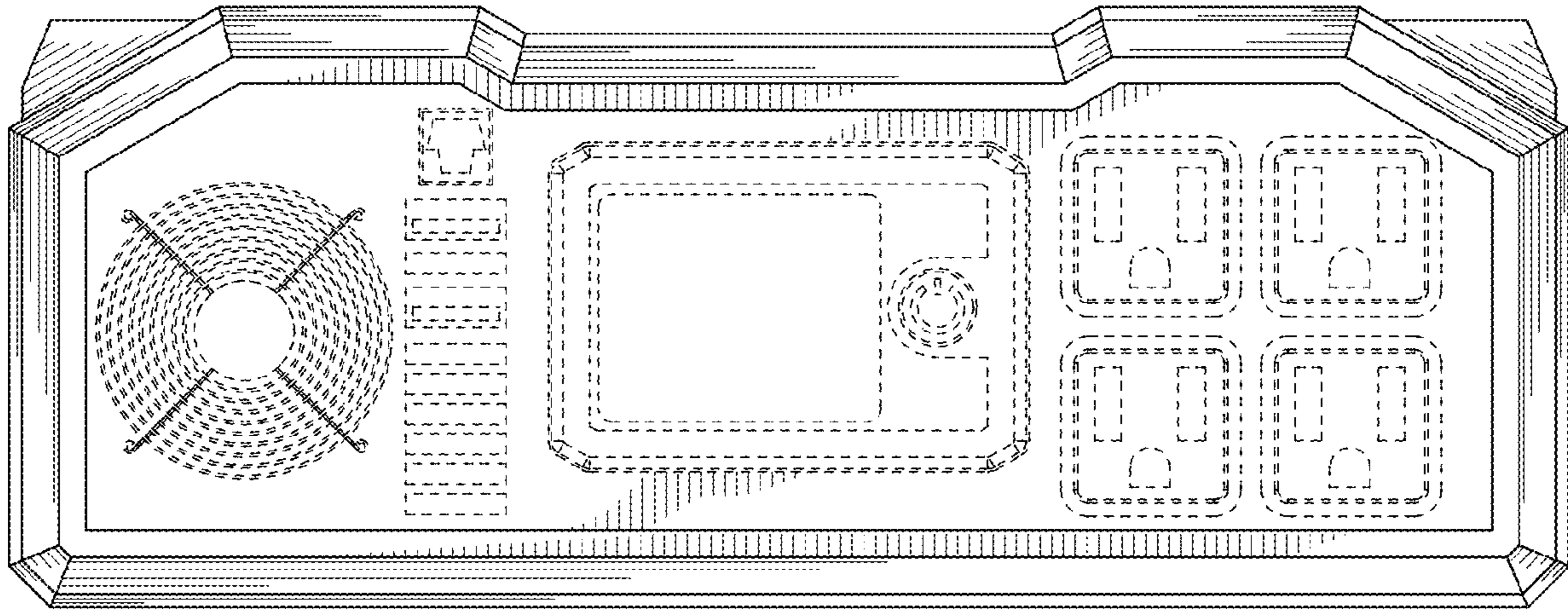


FIG. 2

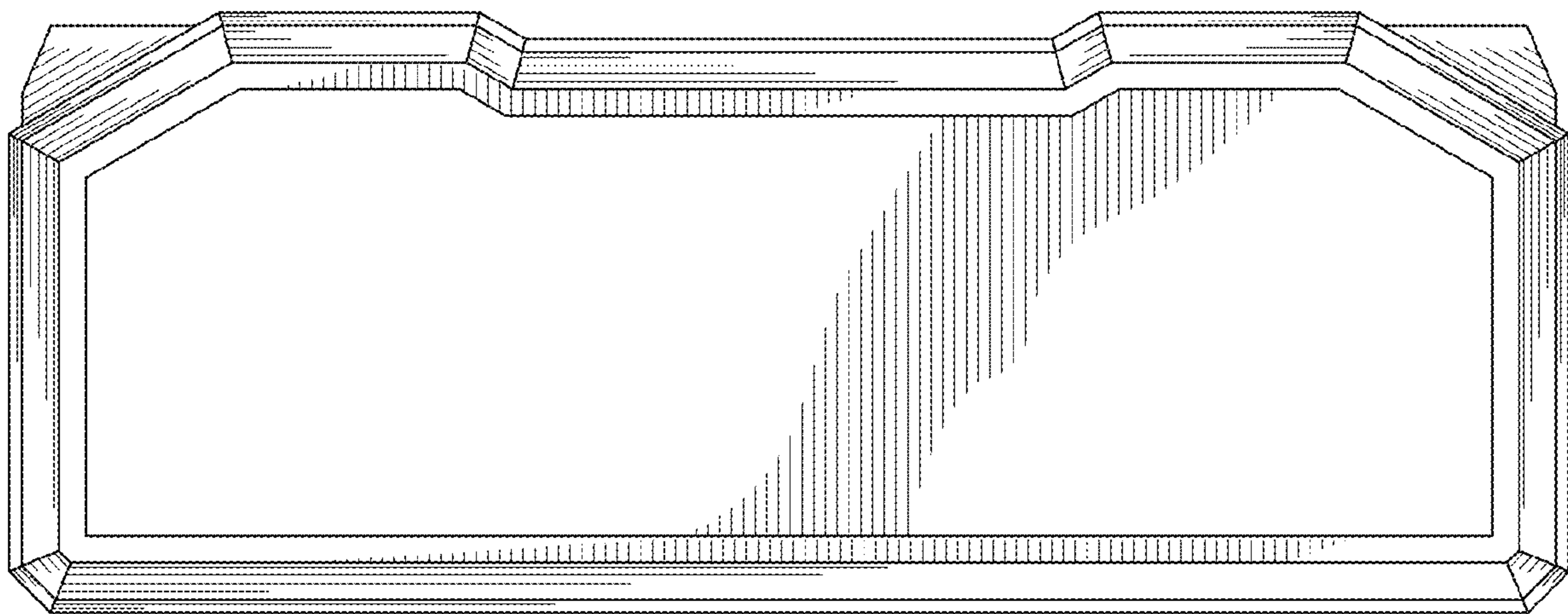


FIG. 3

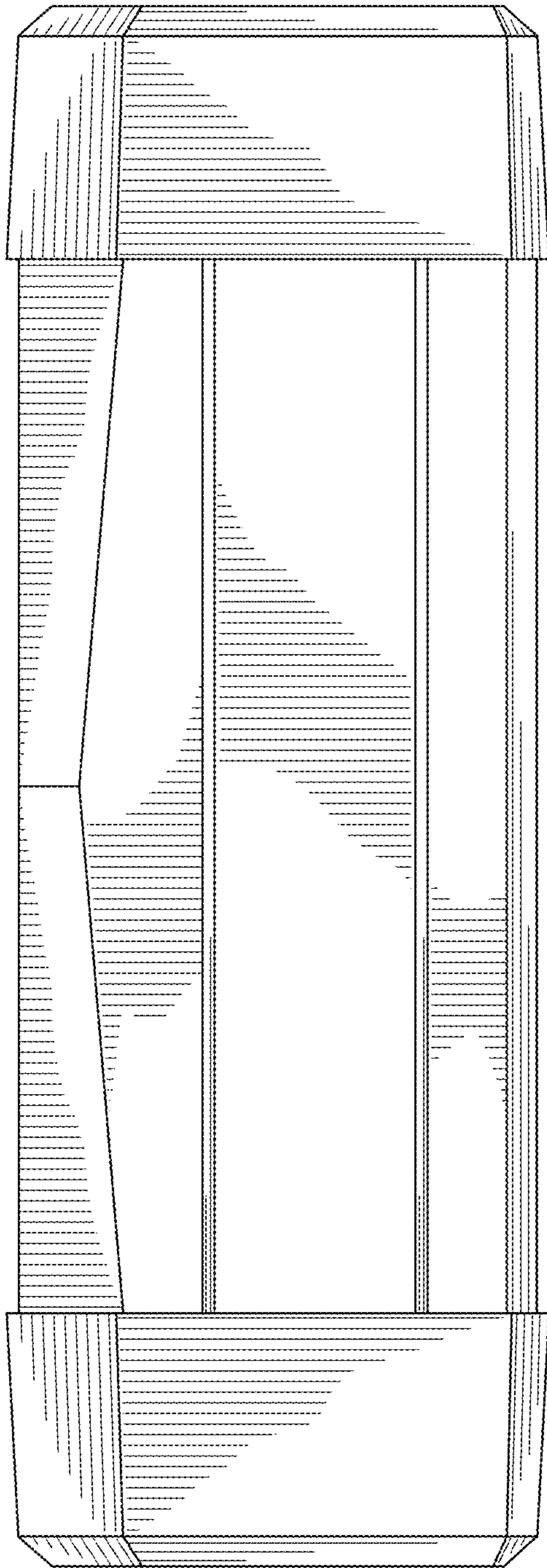


FIG. 4

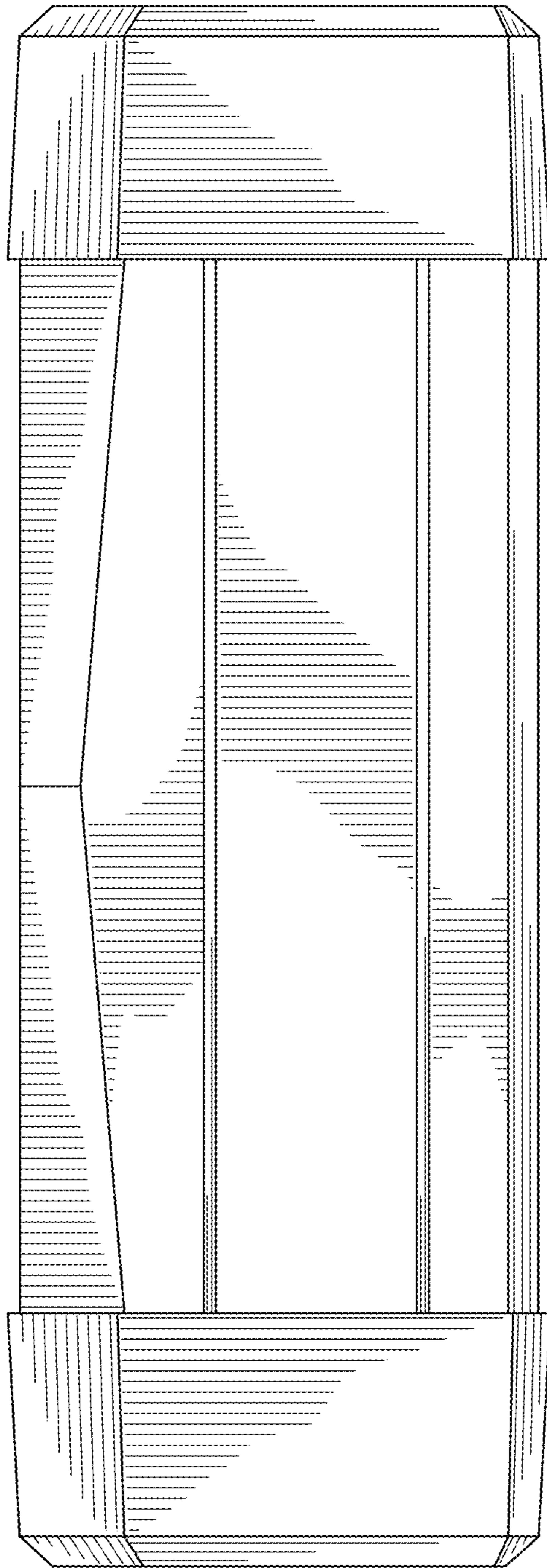


FIG. 5

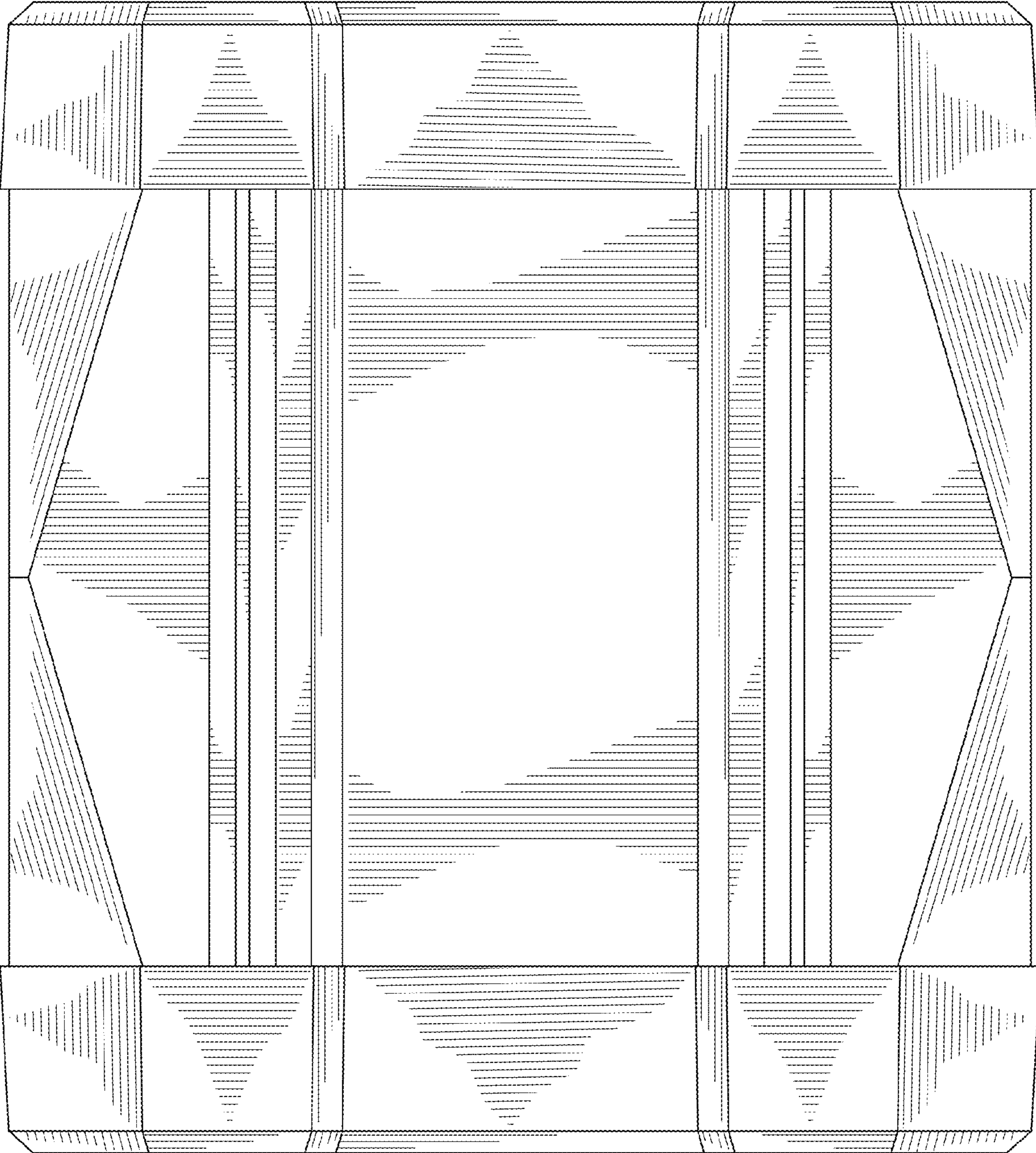


FIG. 6



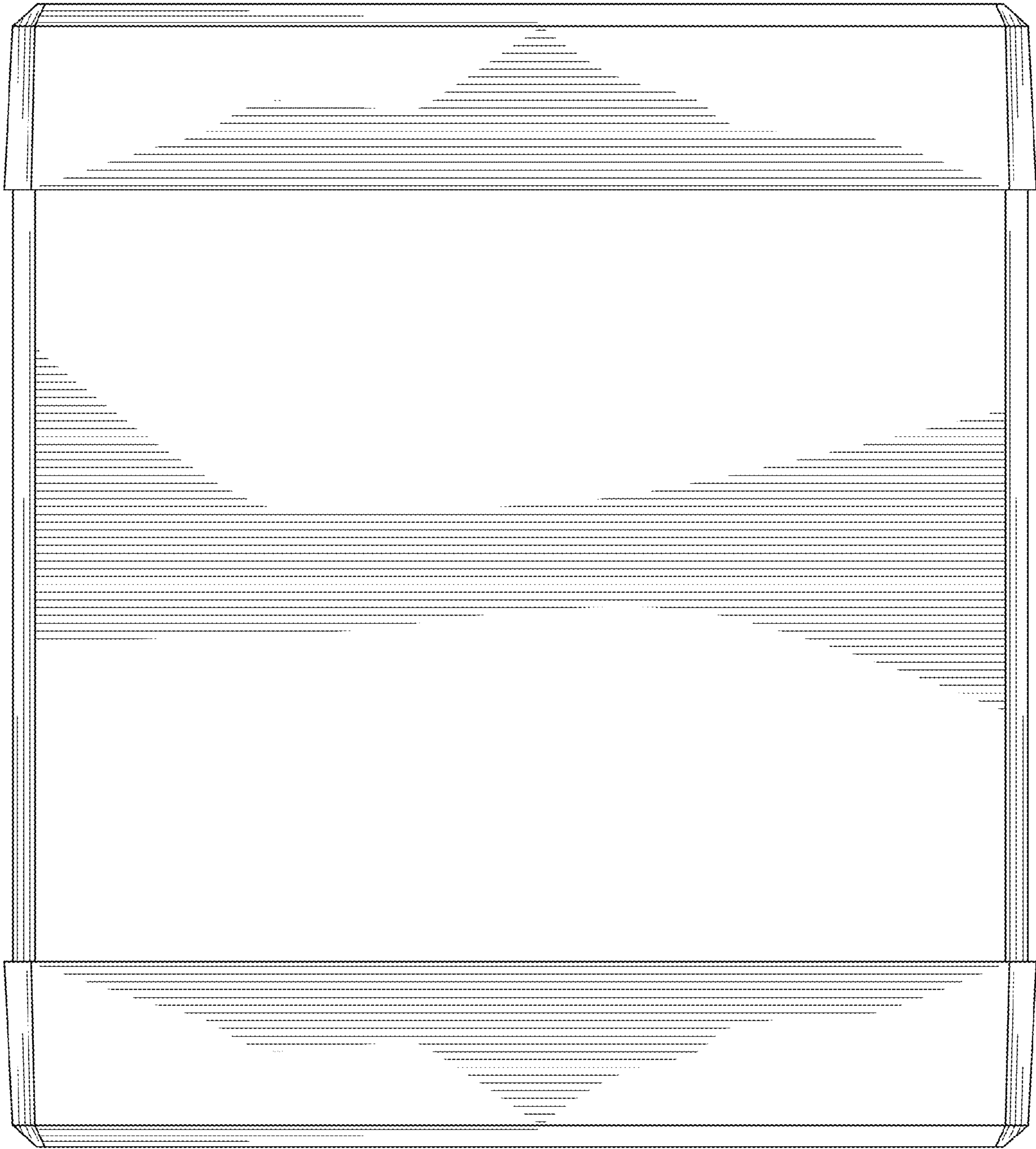


FIG. 7