



US00D870665S

(12) **United States Design Patent** (10) **Patent No.:** **US D870,665 S**
Schubert et al. (45) **Date of Patent:** **** Dec. 24, 2019**

(54) **WIRELESS CHARGER**

(71) Applicant: **The Procter & Gamble Company**,
Cincinnati, OH (US)

(72) Inventors: **Fritz Schubert**, Camberg (DE);
Dominik Langhammer, Frankfurt (DE)

(73) Assignee: **THE PROCTER & GAMBLE**
COMPANY, Cincinnati, OH (US)

(**) Term: **15 Years**

(21) Appl. No.: **29/664,492**

(22) Filed: **Sep. 25, 2018**

(51) **LOC (12) Cl.** **13-02**

(52) **U.S. Cl.**
USPC **D13/108**

(58) **Field of Classification Search**
USPC D13/107-110, 118-119, 184; D14/251,
D14/253, 432, 434

CPC Y02E 60/12; Y02T 90/14; Y02T 90/122;
Y02T 90/128; Y02T 90/163; H02J 7/025;
H02J 7/0042; H02J 7/0044; H02J 7/0045;
H02J 7/0003; H01F 38/14; H01R
13/6675; H01M 2/1022; H01M 2/1055;
H01M 10/44; H01M 10/46; H01M
10/425; B60L 11/182

See application file for complete search history.

(56) **References Cited**

U.S. PATENT DOCUMENTS

D512,372 S *	12/2005	Sakai	D13/108
D577,667 S *	9/2008	Beedham	D13/108
D661,930 S *	6/2012	Gebski	D13/108
D673,528 S *	1/2013	Trotsky	D14/217
D680,541 S *	4/2013	Lee	D14/217
D682,198 S *	5/2013	Vu	D13/108
D687,437 S *	8/2013	Hagenauer	D14/434
D730,826 S *	6/2015	Moanack	D13/110
D768,571 S *	10/2016	Shigeno	D13/108
D798,808 S *	10/2017	Ptok	D13/108
D807,288 S *	1/2018	Kim	D13/107

* cited by examiner

Primary Examiner — Rosemary K Tarcza

(74) *Attorney, Agent, or Firm* — Vladimir Vitenberg

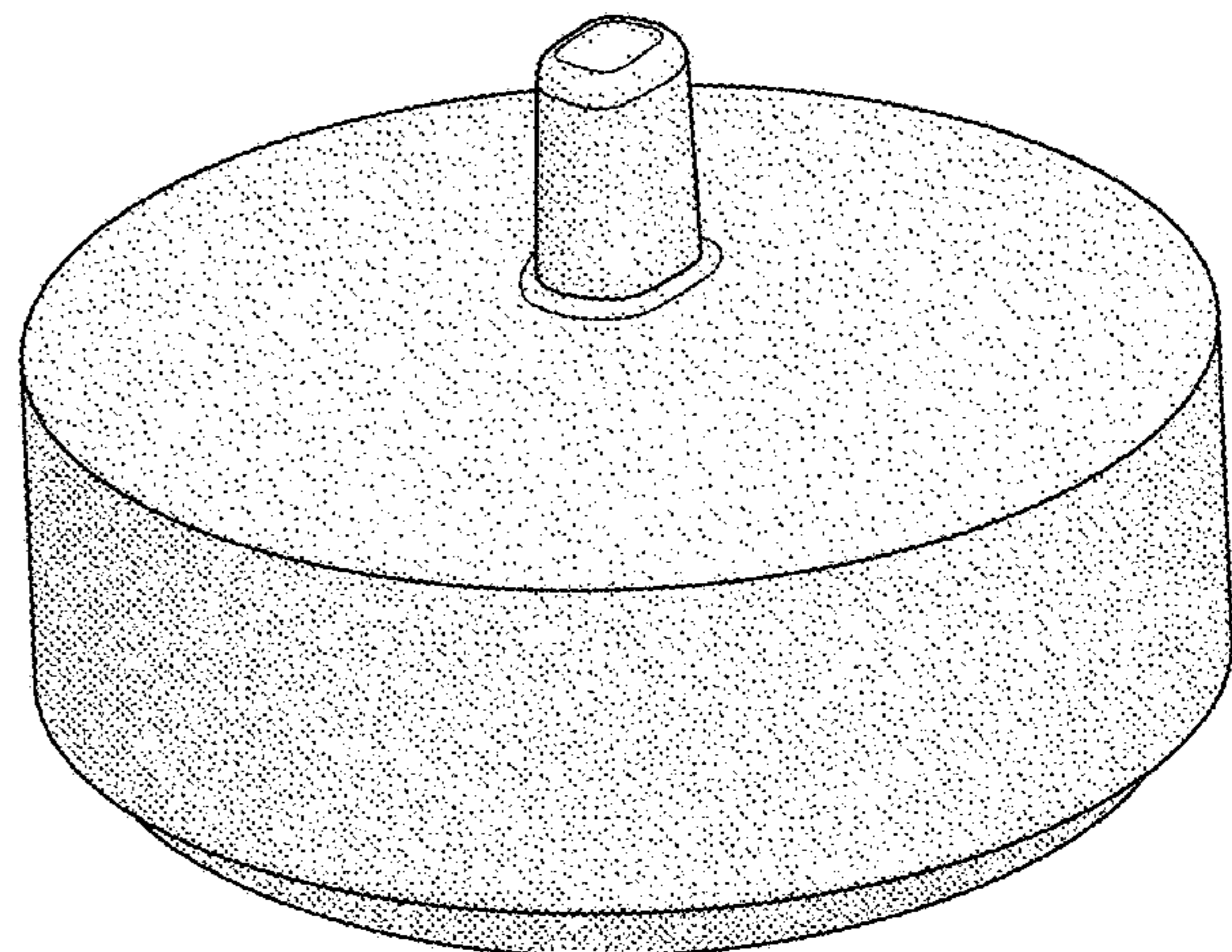
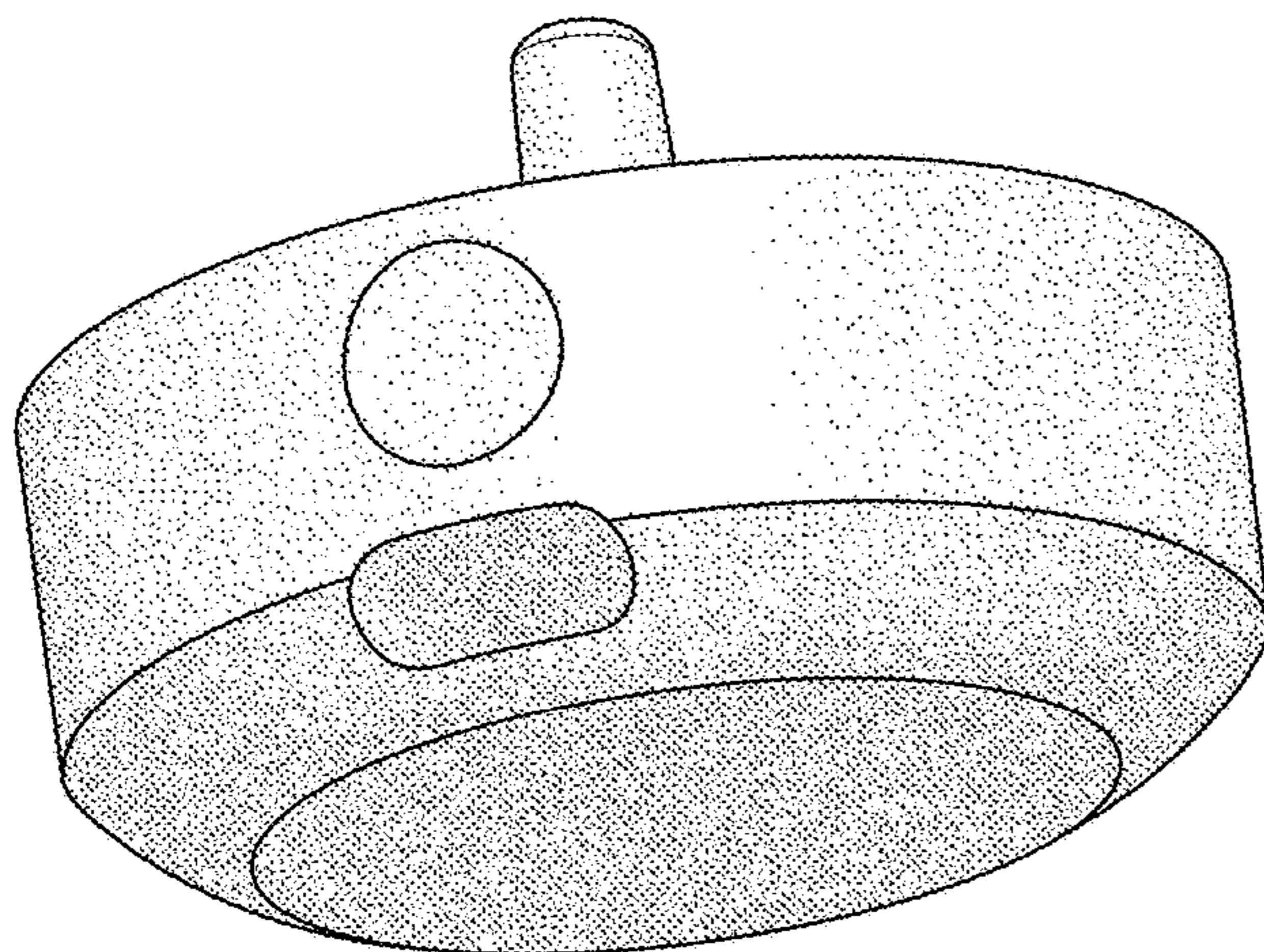
(57) **CLAIM**

The ornamental design for a wireless charger, as shown and described.

DESCRIPTION

FIG. 1 is a bottom perspective view of a wireless charger;
FIG. 2 is a to perspective view of a wireless charger;
FIG. 3 is a front view thereof;
FIG. 4 is a left side view thereof;
FIG. 5 is a rear view thereof; and
FIG. 6 is a right side view thereof;
FIG. 7 is a top view thereof; and,
FIG. 8 is a bottom view thereof.

1 Claim, 4 Drawing Sheets



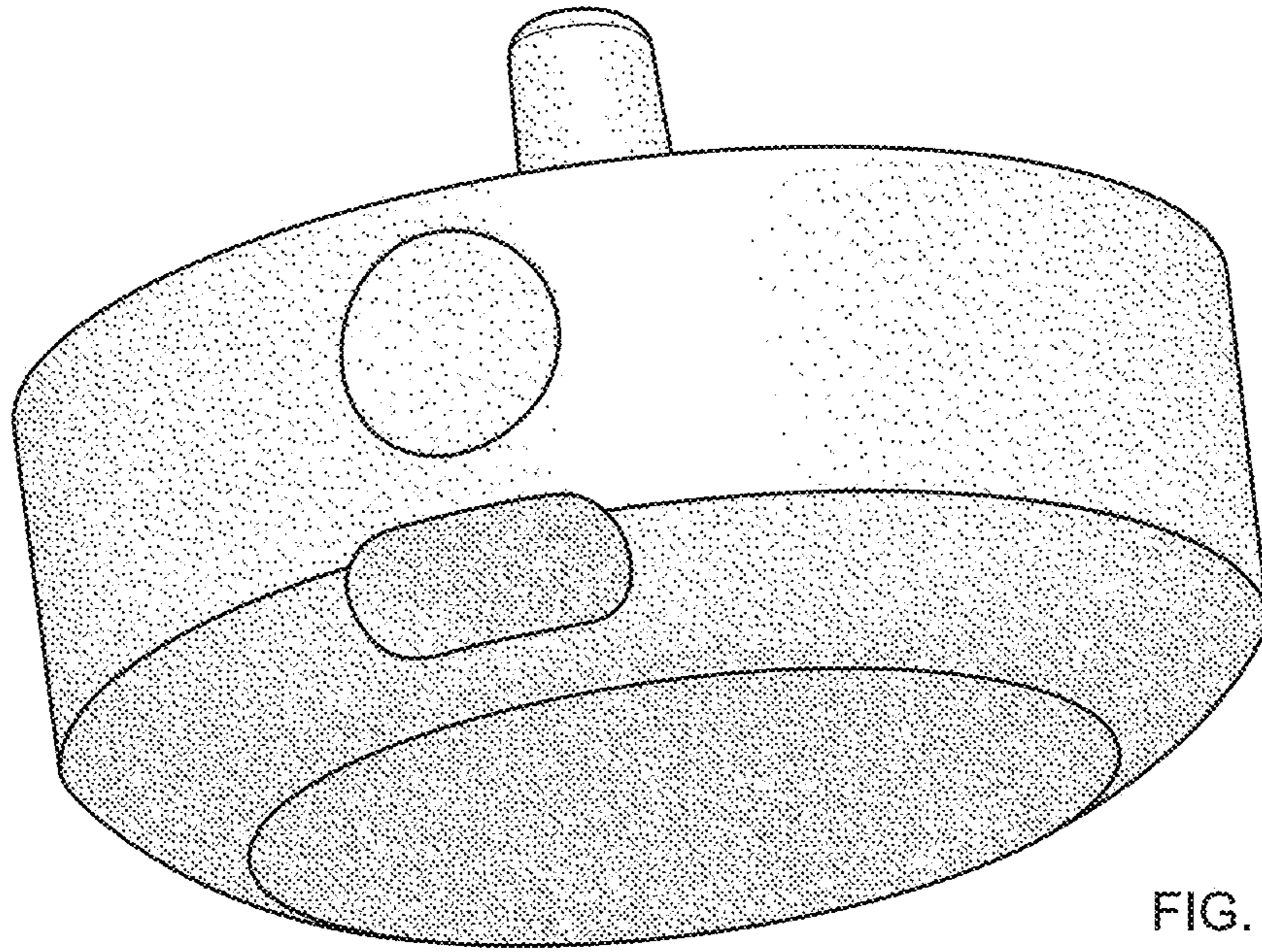


FIG. 1

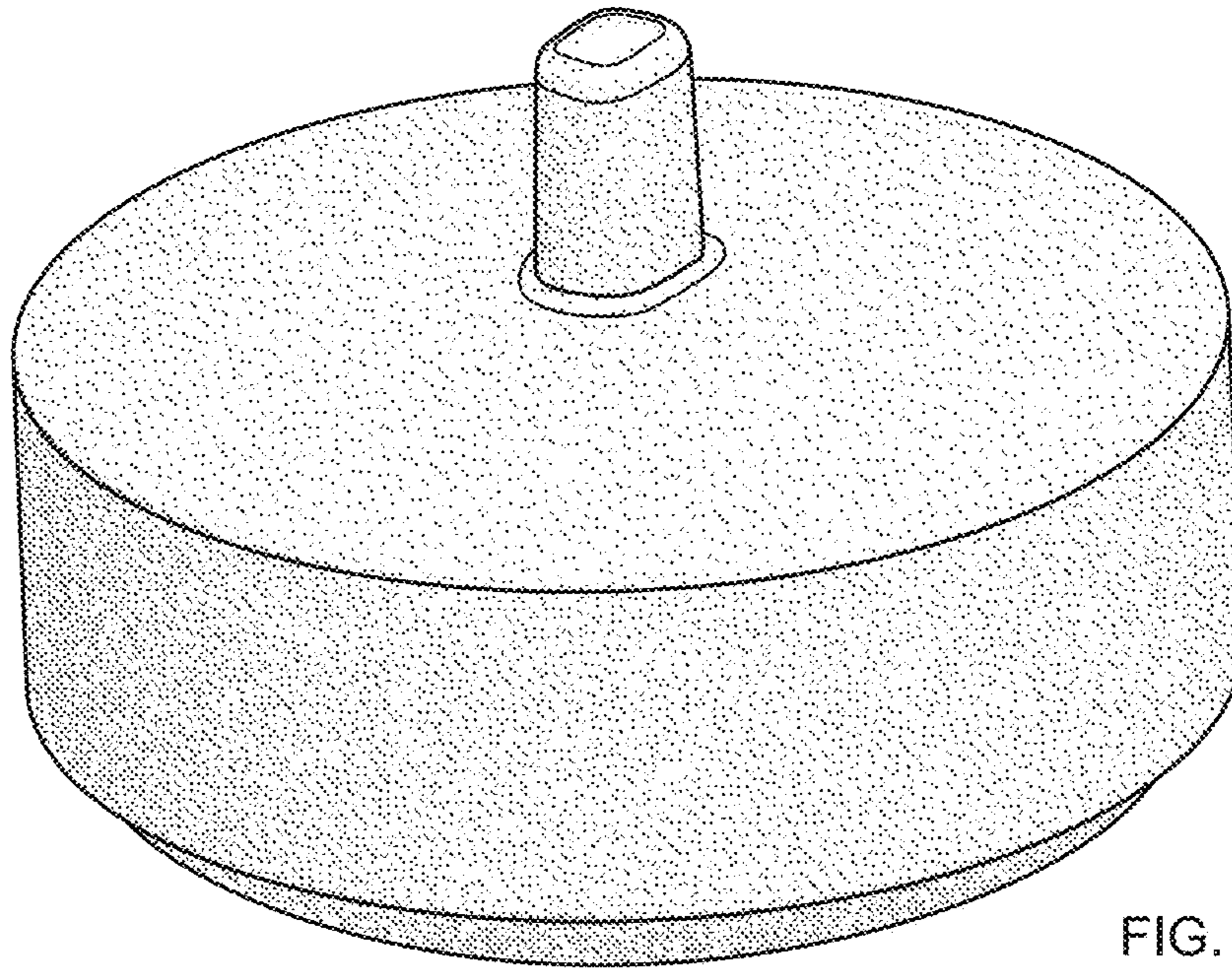


FIG. 2

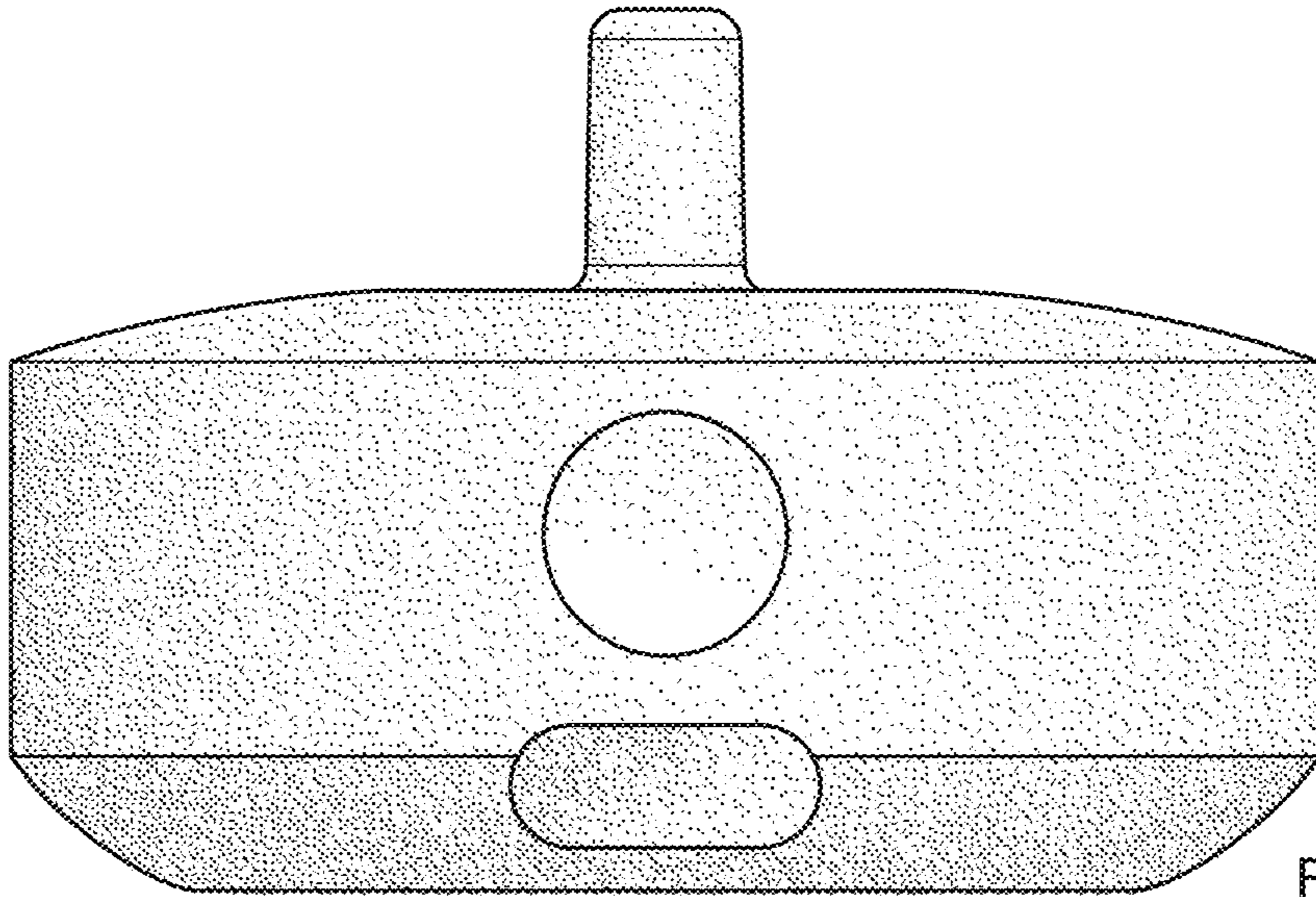


FIG. 3

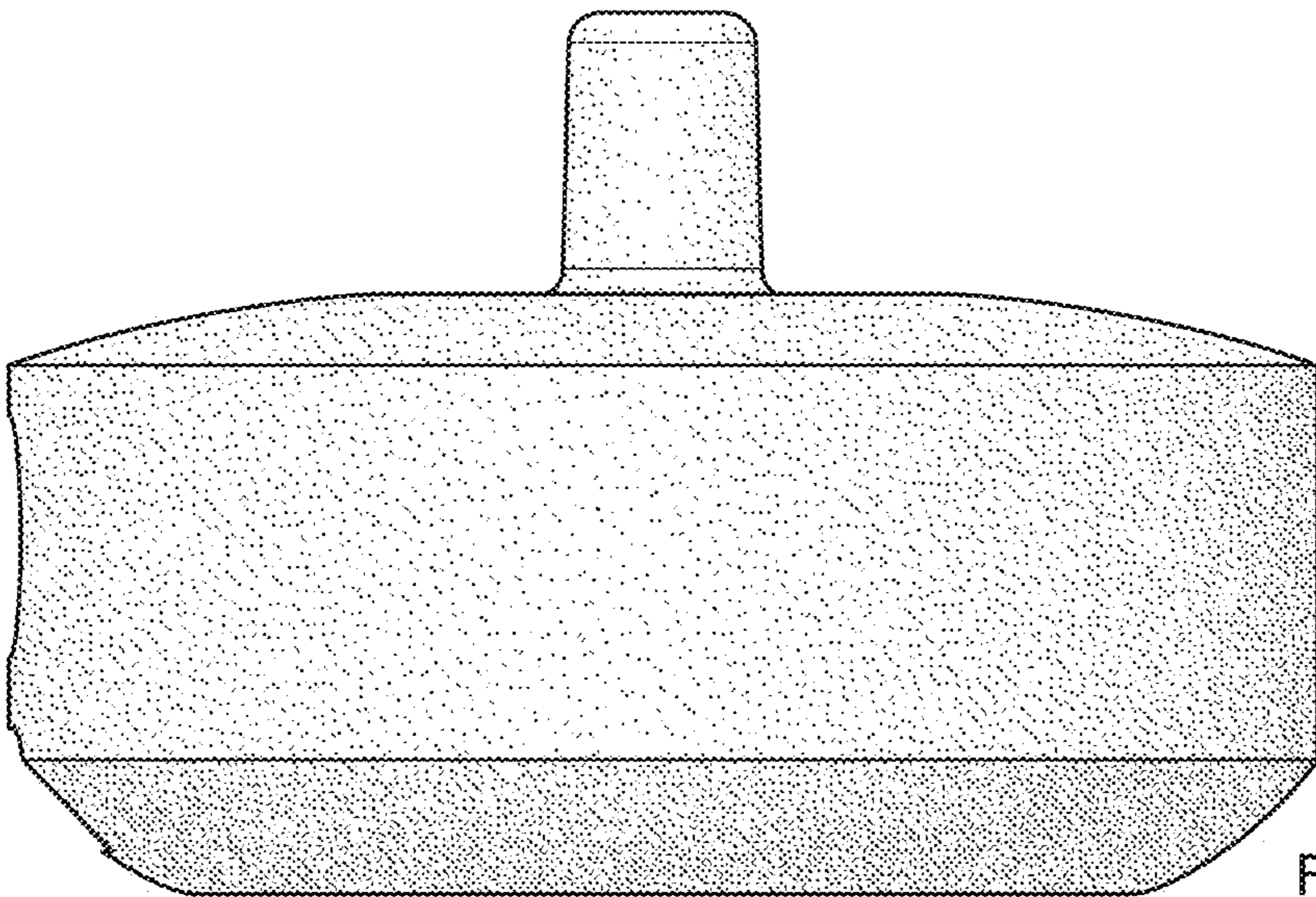


FIG. 4

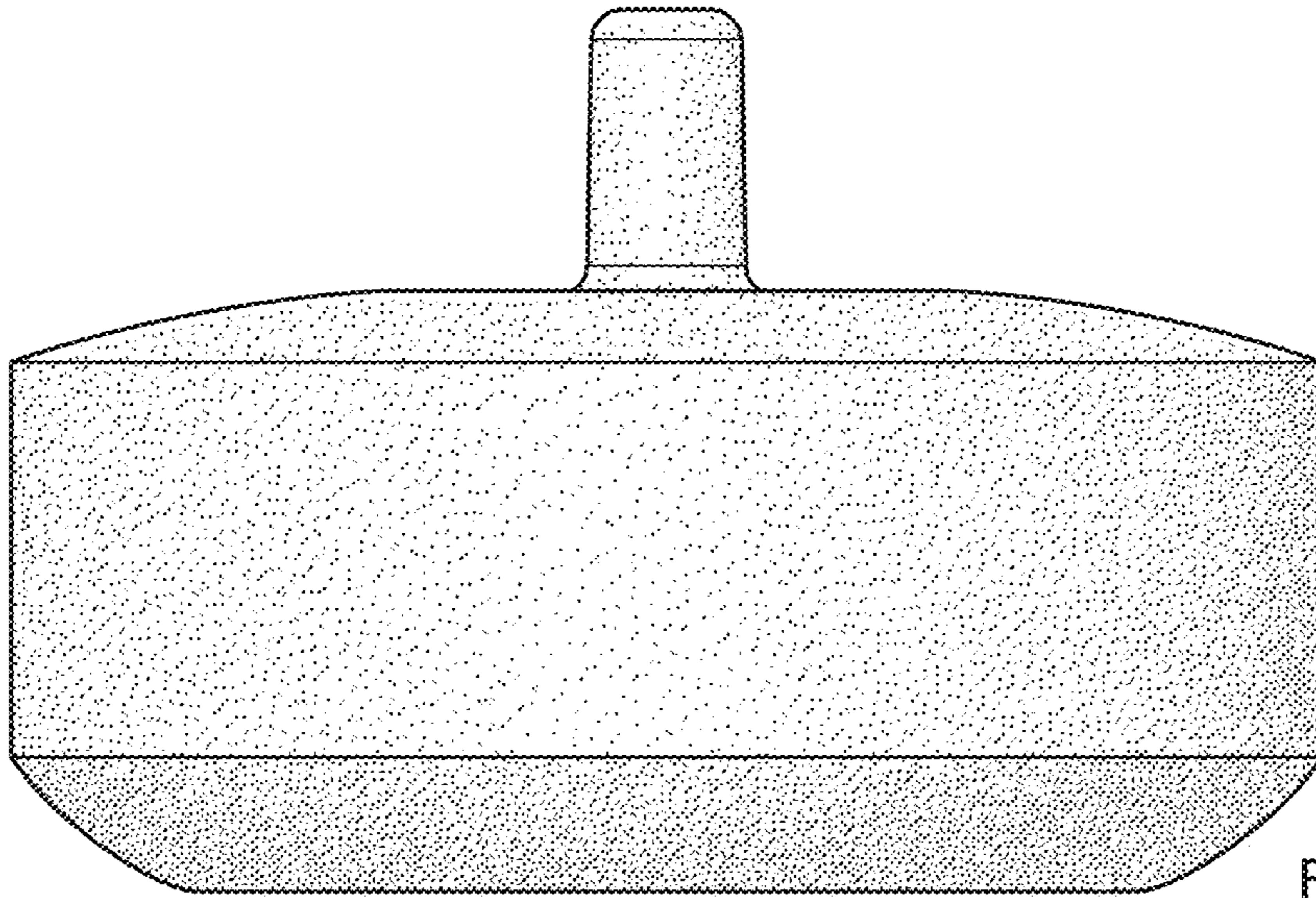


FIG. 5

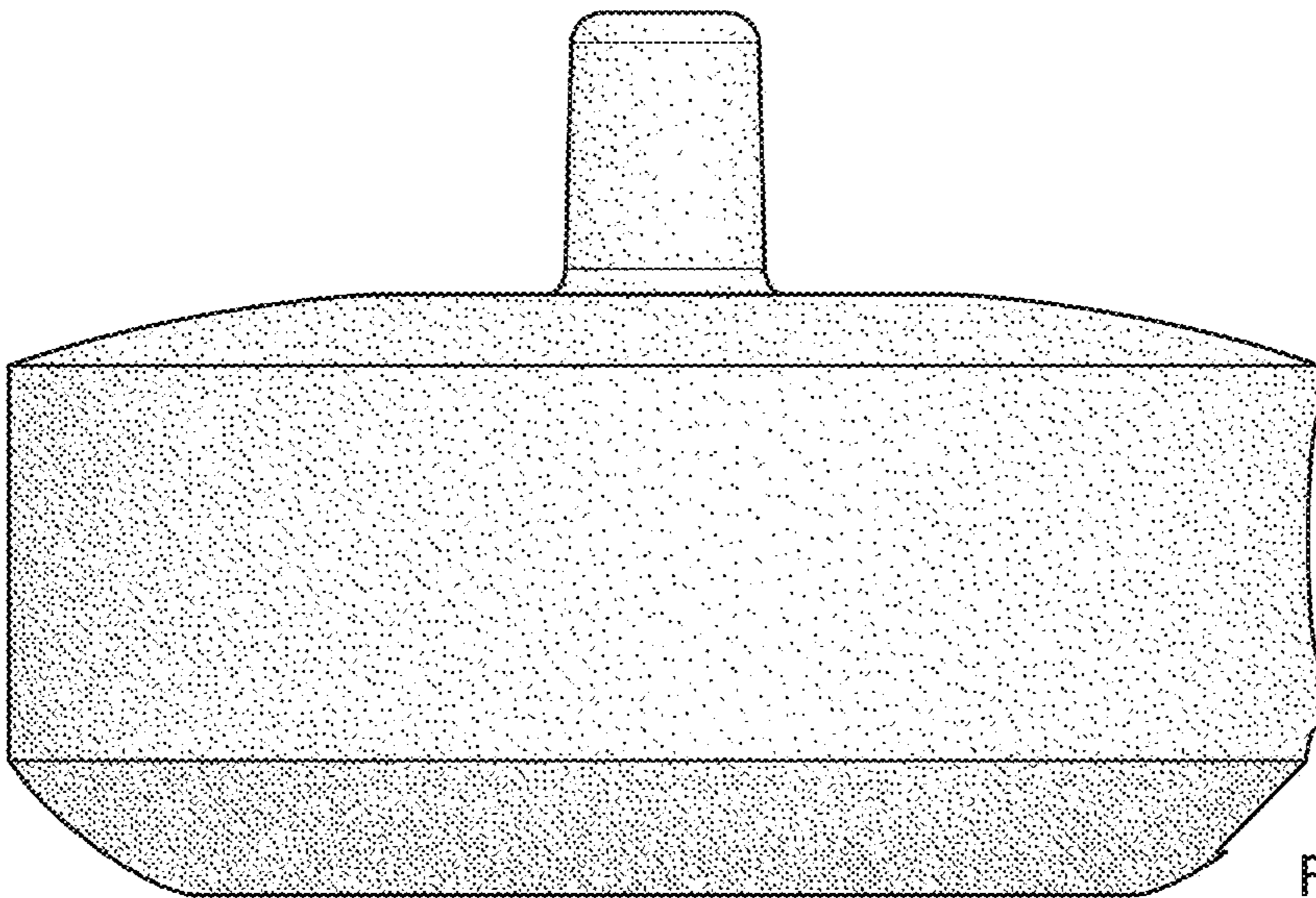


FIG. 6

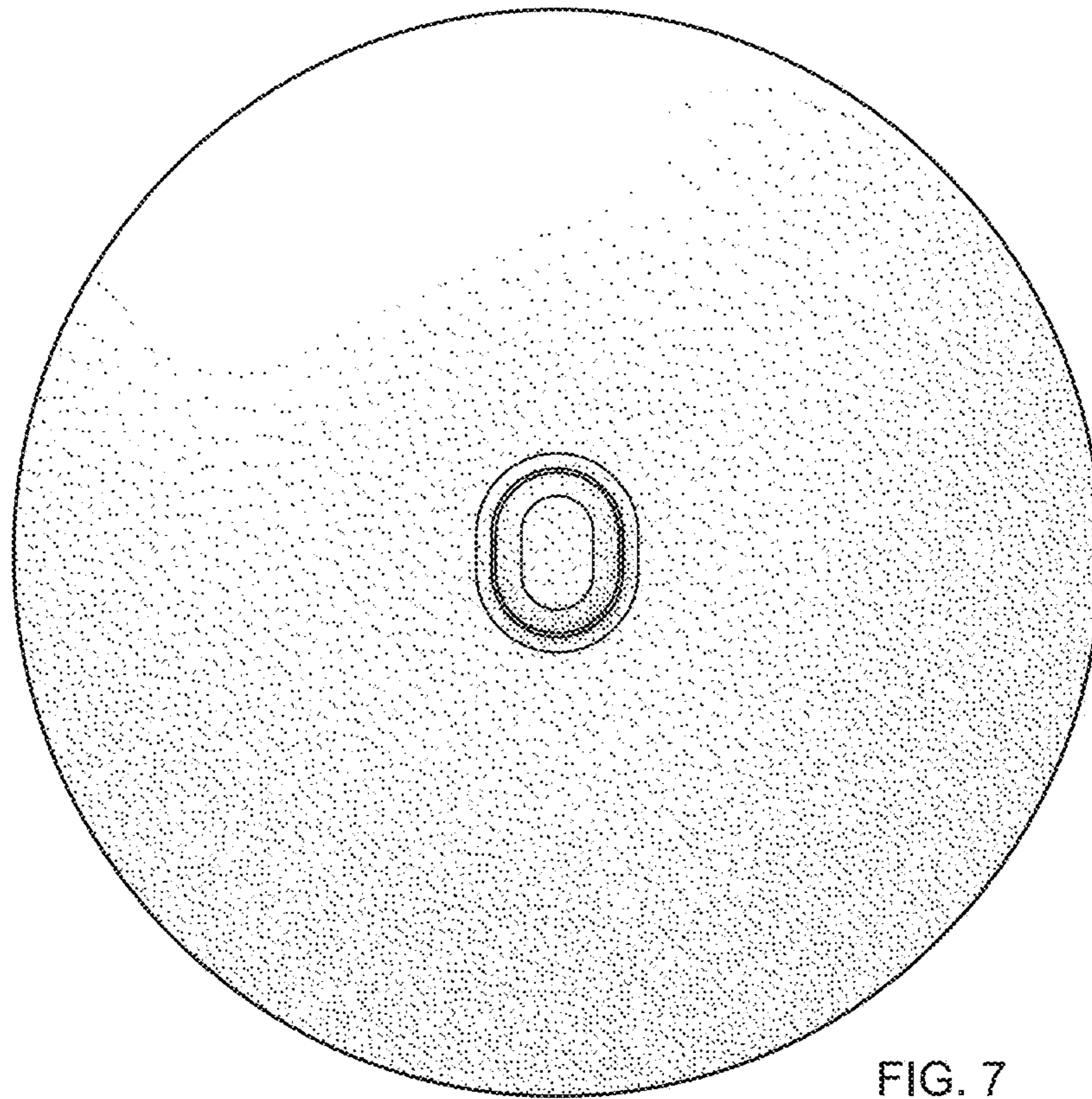


FIG. 7

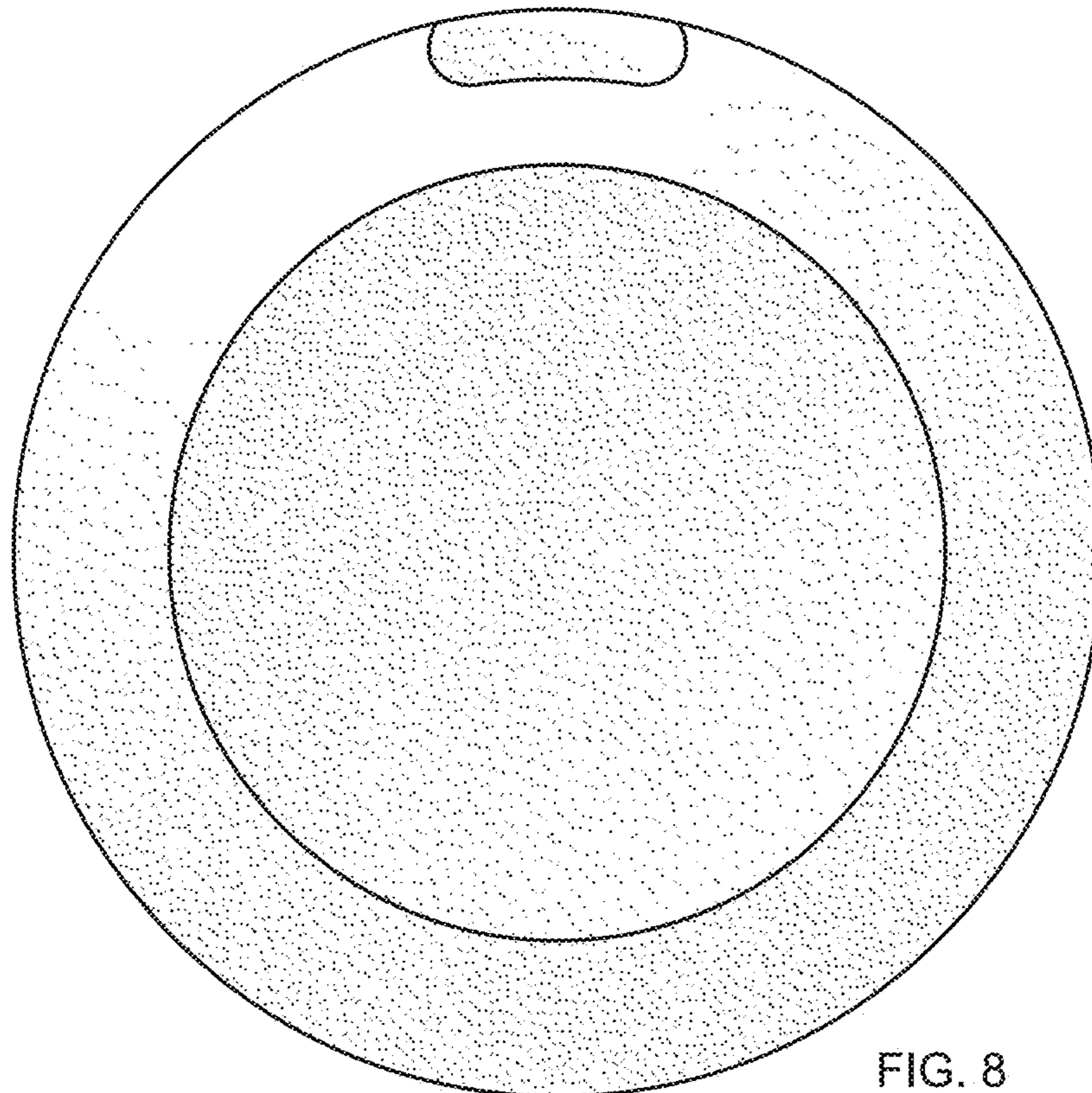


FIG. 8