



US00D870662S

(12) **United States Design Patent** (10) **Patent No.:** **US D870,662 S**
Schubert et al. (45) **Date of Patent:** **** Dec. 24, 2019**

(54) **WIRELESS CHARGER**

(56) **References Cited**

(71) Applicant: **The Procter & Gamble Company**,
Cincinnati, OH (US)

U.S. PATENT DOCUMENTS

(72) Inventors: **Fritz Schubert**, Camberg (DE);
Dominik Langhammer, Frankfurt (DE)

D680,540 S *	4/2013	Lee	D14/217
D771,616 S *	11/2016	Bo	D14/253
D813,805 S *	3/2018	Zhong	D13/108
D814,413 S *	4/2018	Zhong	D13/108
D840,997 S *	2/2019	Chen	D14/253
D852,134 S *	6/2019	Mei	D13/108
D852,135 S *	6/2019	Mei	D13/108
D855,566 S *	8/2019	Chen	D13/108
D858,437 S *	9/2019	Lu	D13/108

(73) Assignee: **THE PROCTER & GAMBLE COMPANY**, Cincinnati, OH (US)

(**) Term: **15 Years**

* cited by examiner

(21) Appl. No.: **29/664,486**

Primary Examiner — Rosemary K Tarca

(22) Filed: **Sep. 25, 2018**

(74) *Attorney, Agent, or Firm* — Vladimir Vitenberg

(51) **LOC (12) Cl.** **13-02**

(57) **CLAIM**

(52) **U.S. Cl.**

The ornamental design for a wireless charger, as shown and described.

USPC **D13/108**

(58) **Field of Classification Search**

DESCRIPTION

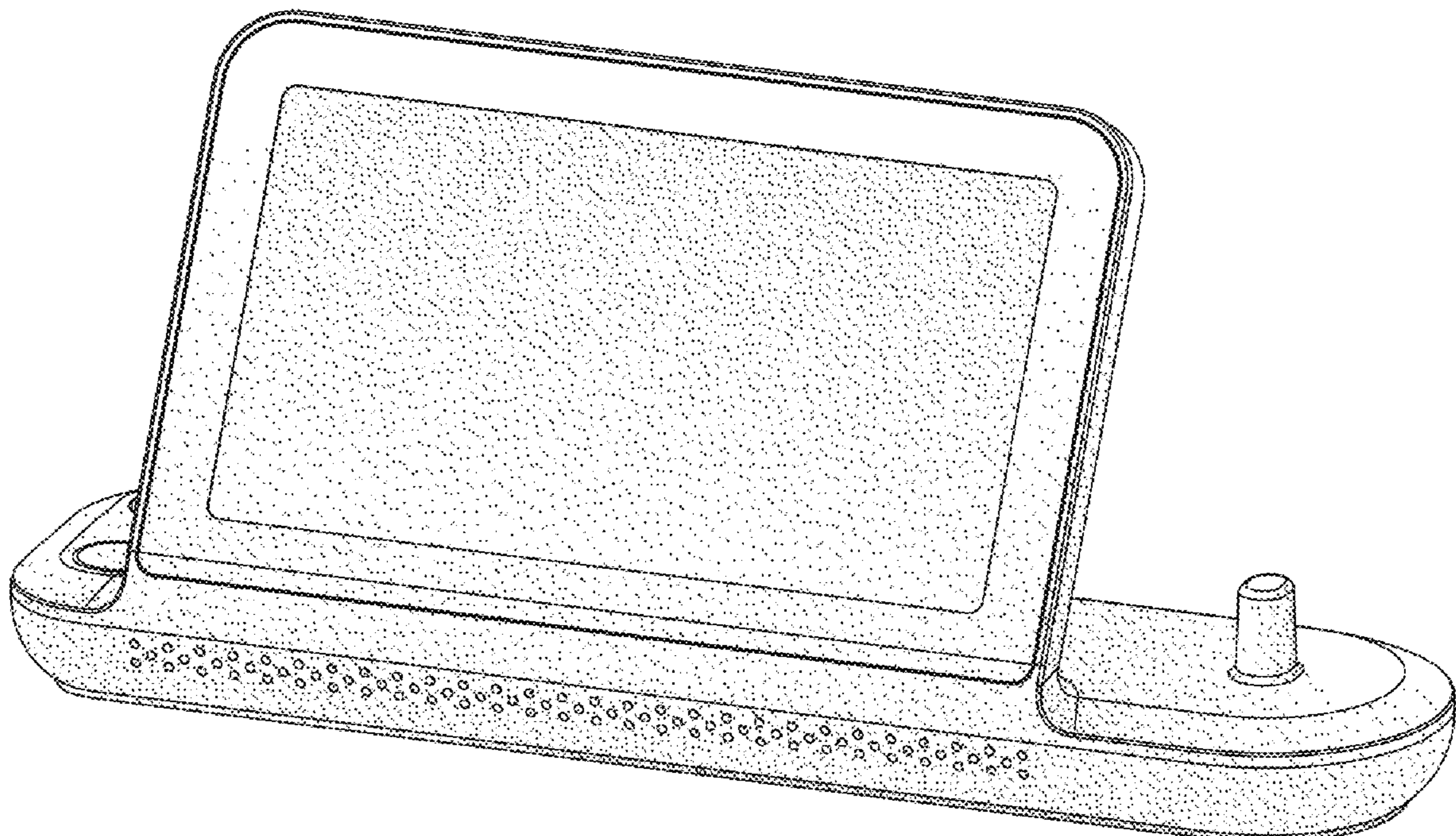
USPC D13/107–110, 118–119, 184; D14/251,
D14/253, 432, 434

FIG. 1 is a perspective view of a wireless charger;
FIG. 2 is a front view thereof;
FIG. 3 is a left side view thereof;
FIG. 4 is a rear view thereof; and
FIG. 5 is a right side view thereof;
FIG. 6 is a top view thereof; and,
FIG. 7 is a bottom view thereof.

CPC Y02E 60/12; Y02T 90/14; Y02T 90/122;
Y02T 90/128; Y02T 90/163; H02J 7/025;
H02J 7/0042; H02J 7/0044; H02J 7/0045;
H02J 7/0003; H01F 38/14; H01R
13/6675; H01M 2/1022; H01M 2/1055;
H01M 10/44; H01M 10/46; H01M
10/425; B60L 11/182

See application file for complete search history.

1 Claim, 2 Drawing Sheets



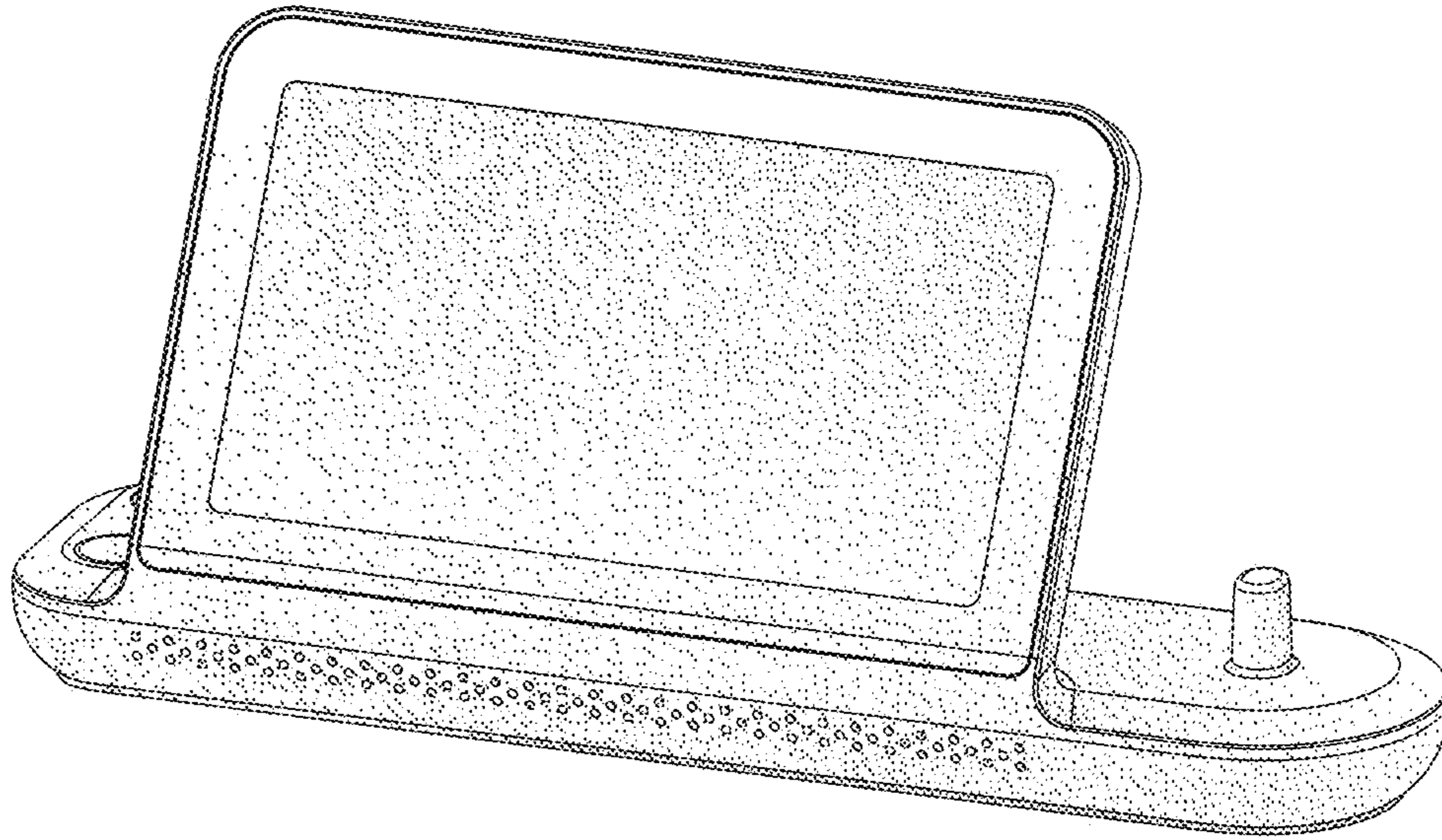


FIG. 1

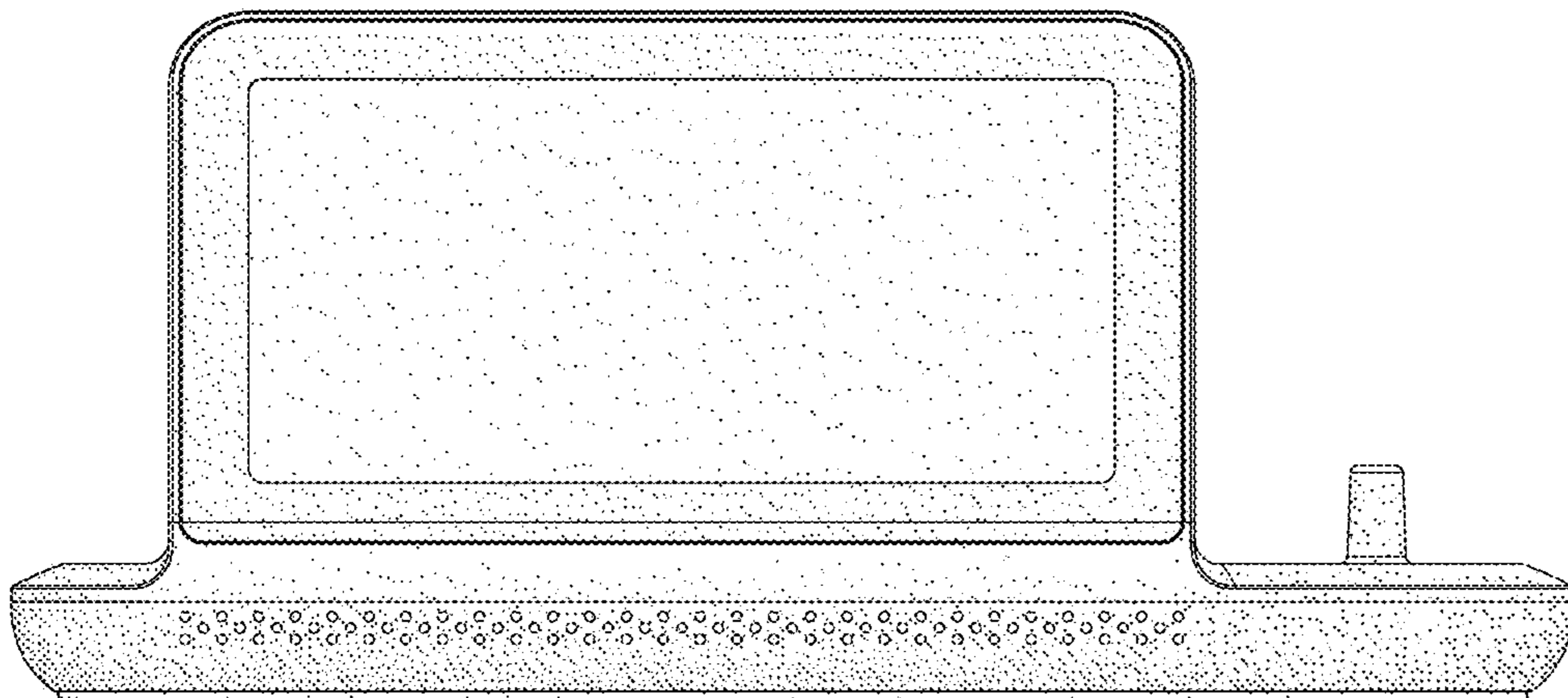


FIG. 2

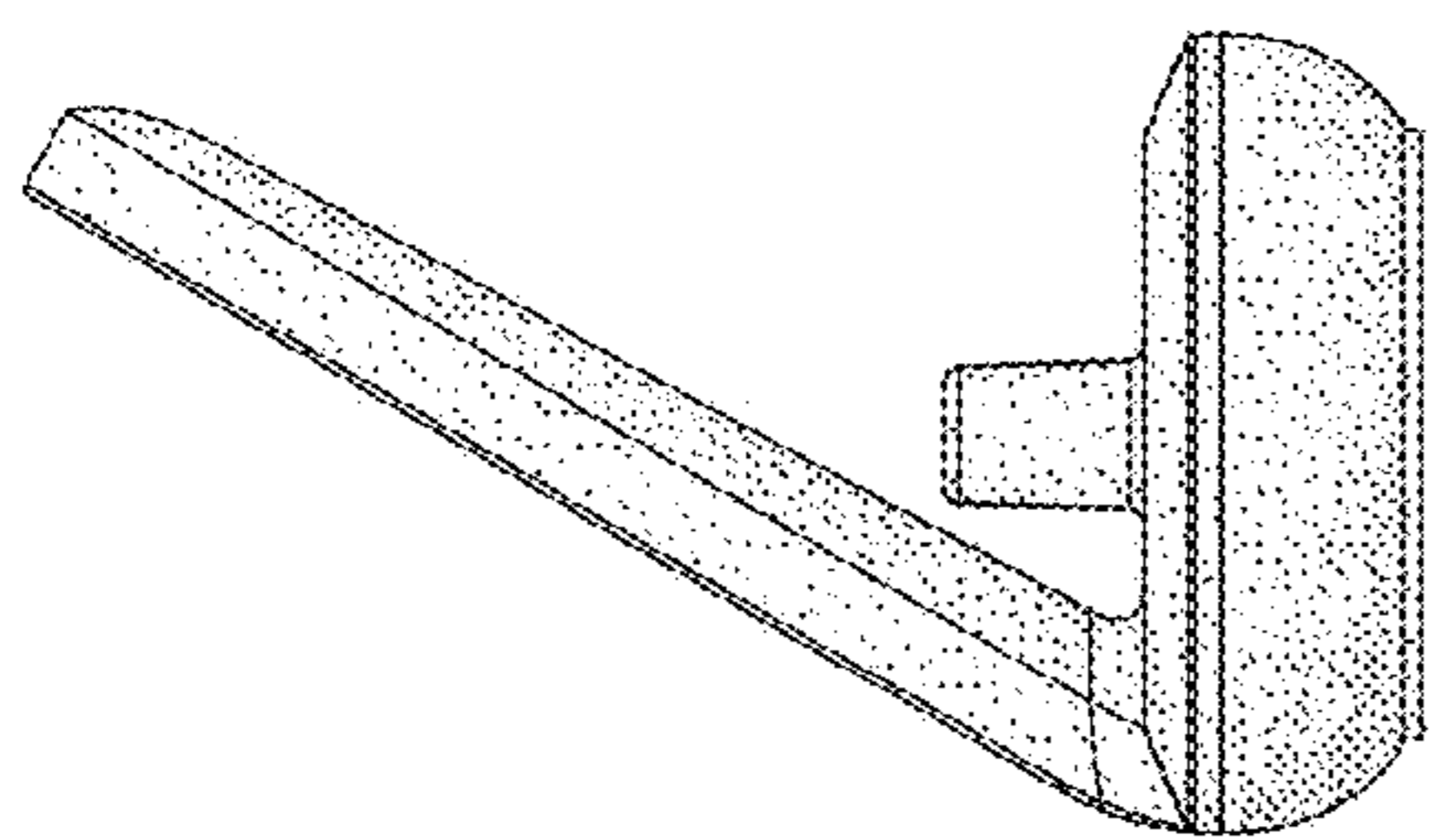


FIG. 3

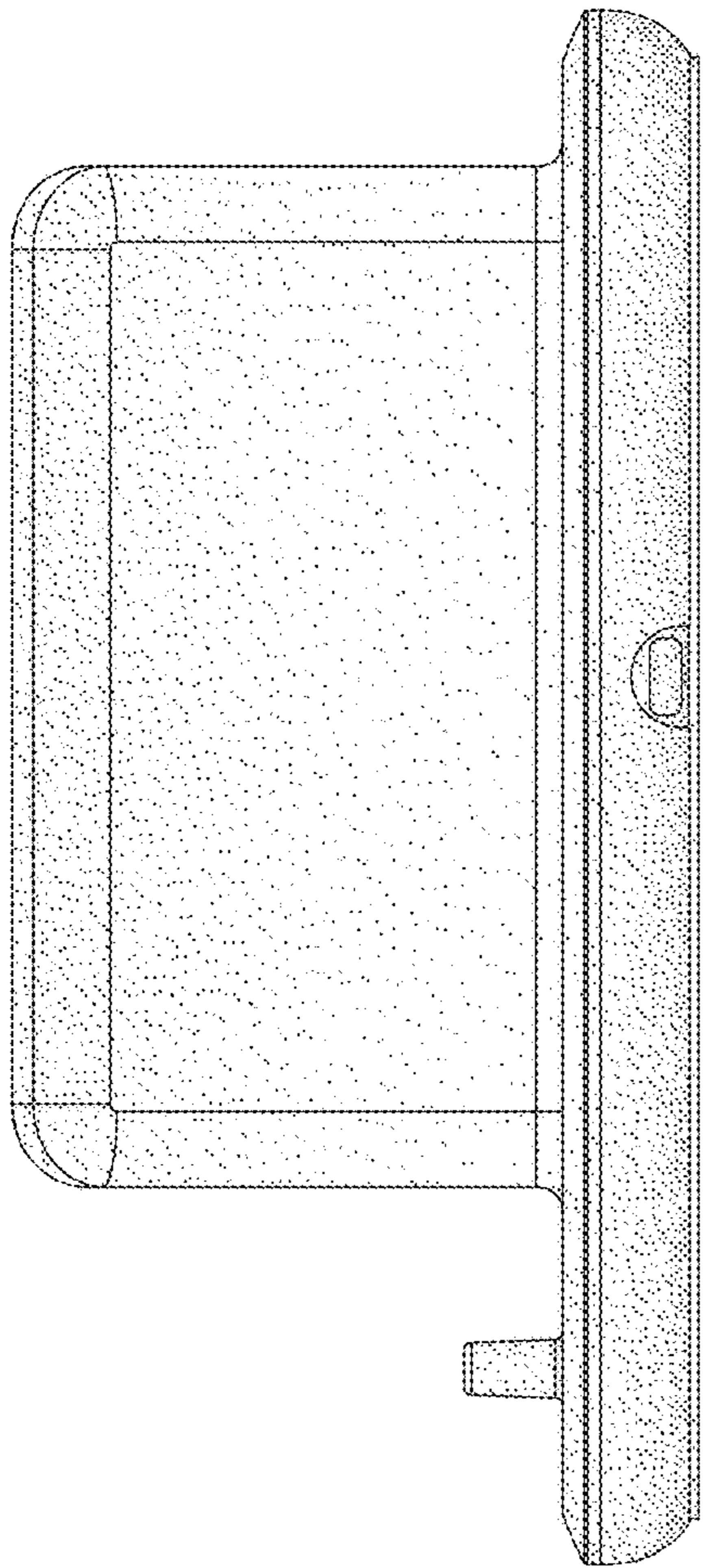


FIG. 4

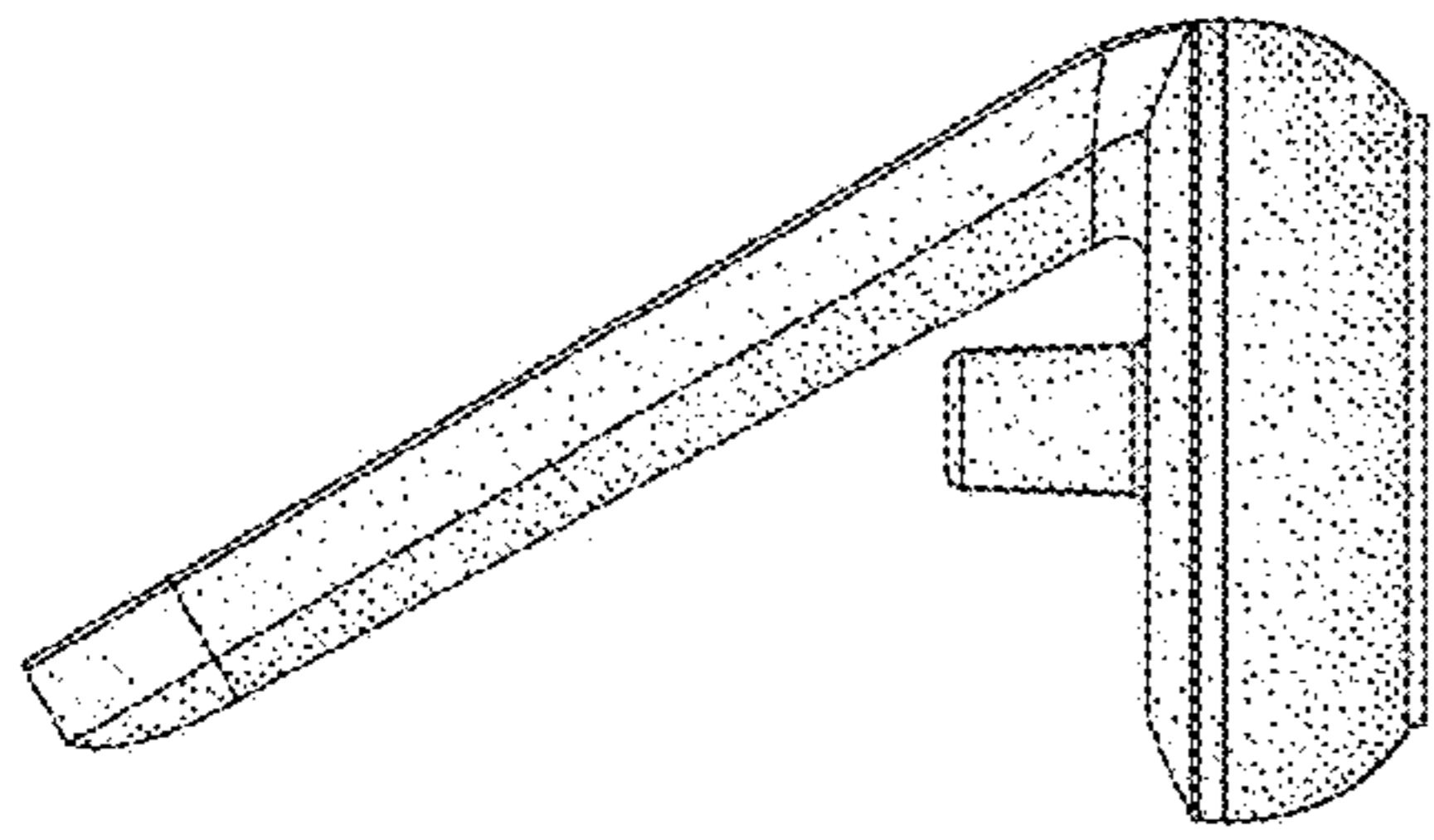


FIG. 5

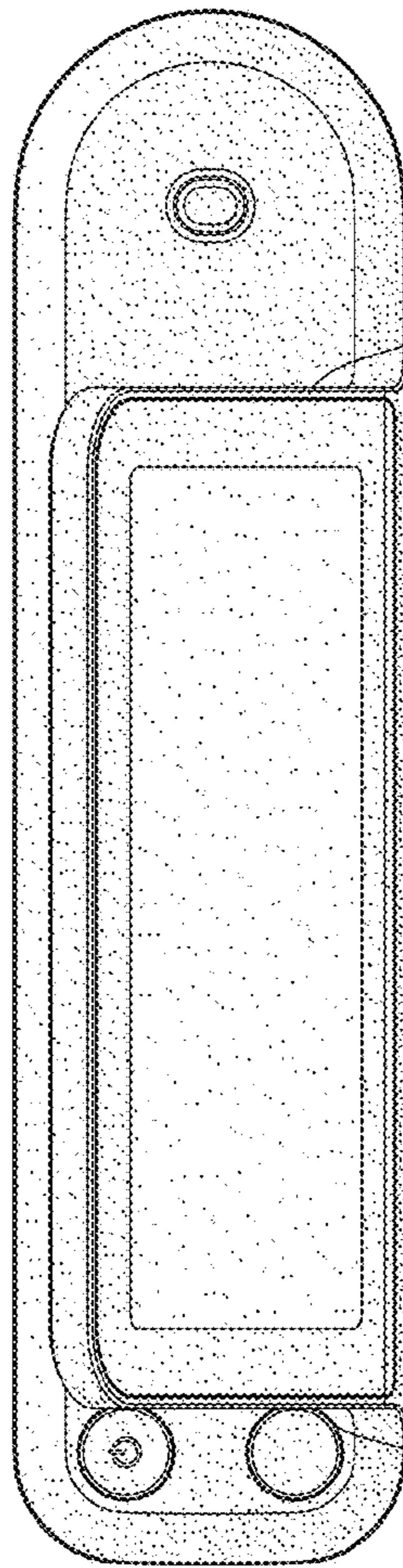


FIG. 6

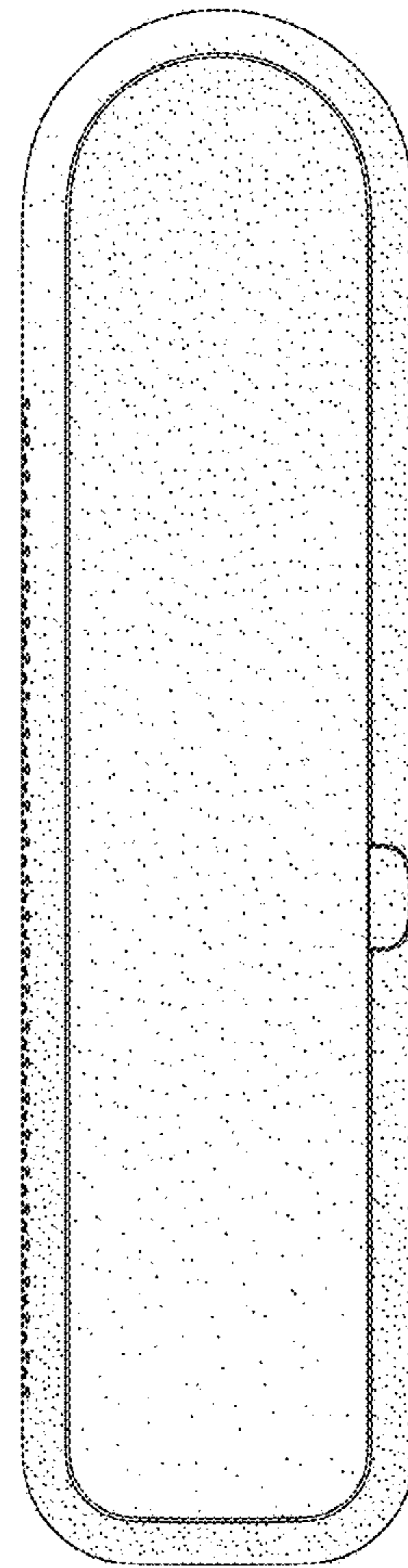


FIG. 7