



US00D870656S

(12) **United States Design Patent** (10) **Patent No.:** **US D870,656 S**  
**Waldron** (45) **Date of Patent:** **\*\* Dec. 24, 2019**

(54) **BATTERY CHARGER**  
(71) Applicants: **ALDI GmbH & Co. KG**, Mülheim an der Ruhr (DE); **Hofer KG**, Sattledt (AT); **ALDI Einkauf GmbH & Co. oHG (Nord)**, Essen (DE)  
(72) Inventor: **Michael Edward Waldron**, York (GB)  
(73) Assignees: **ALDI GMBH & CO. KG**, Mulheim an der Ruhr (DE); **HOFER KG**, Sattledt (AT); **ALDI EINKAUF GMBH & CO. OHG (NORD)**, Essen (DE)  
(\*\*) Term: **15 Years**  
(21) Appl. No.: **29/641,280**  
(22) Filed: **Mar. 21, 2018**  
(51) **LOC (12) Cl.** ..... **13-02**  
(52) **U.S. Cl.**  
USPC ..... **D13/107**  
(58) **Field of Classification Search**  
USPC ..... D13/103–110, 118–119, 112–116  
CPC ..... H02J 7/0042; H02J 7/0045; H02J 7/0054;  
H02J 7/0044; H02J 2007/0062  
See application file for complete search history.

2015/0244194 A1\* 8/2015 Tabuchi ..... H02J 7/0045  
320/107  
2016/0072327 A1\* 3/2016 Knutson ..... H02J 7/0044  
320/108  
2017/0072553 A1 3/2017 Bakker  
2017/0222454 A1 8/2017 Bakker

**FOREIGN PATENT DOCUMENTS**

DE 20 2017 101 159 U1 7/2017

**OTHER PUBLICATIONS**

ALDI Advertisement of Workzone 20V Max Lithium-Ion Cordless Drill, Product Code 54662; Dec. 6, 2017.  
ALDI Advertisement of Dec. 2017.  
ALDI Advertisement of Workzone 12V Lithium-Ion Cordless Drill, Product Code 44217, Jun. 1, 2016.

(Continued)

*Primary Examiner* — Brett Miller

(74) *Attorney, Agent, or Firm* — David S. Safran; Roberts Mlotkowski Safran Cole & Calderon, P.C.

(57) **CLAIM**

The ornamental design for a battery charger, as shown and described.

**DESCRIPTION**

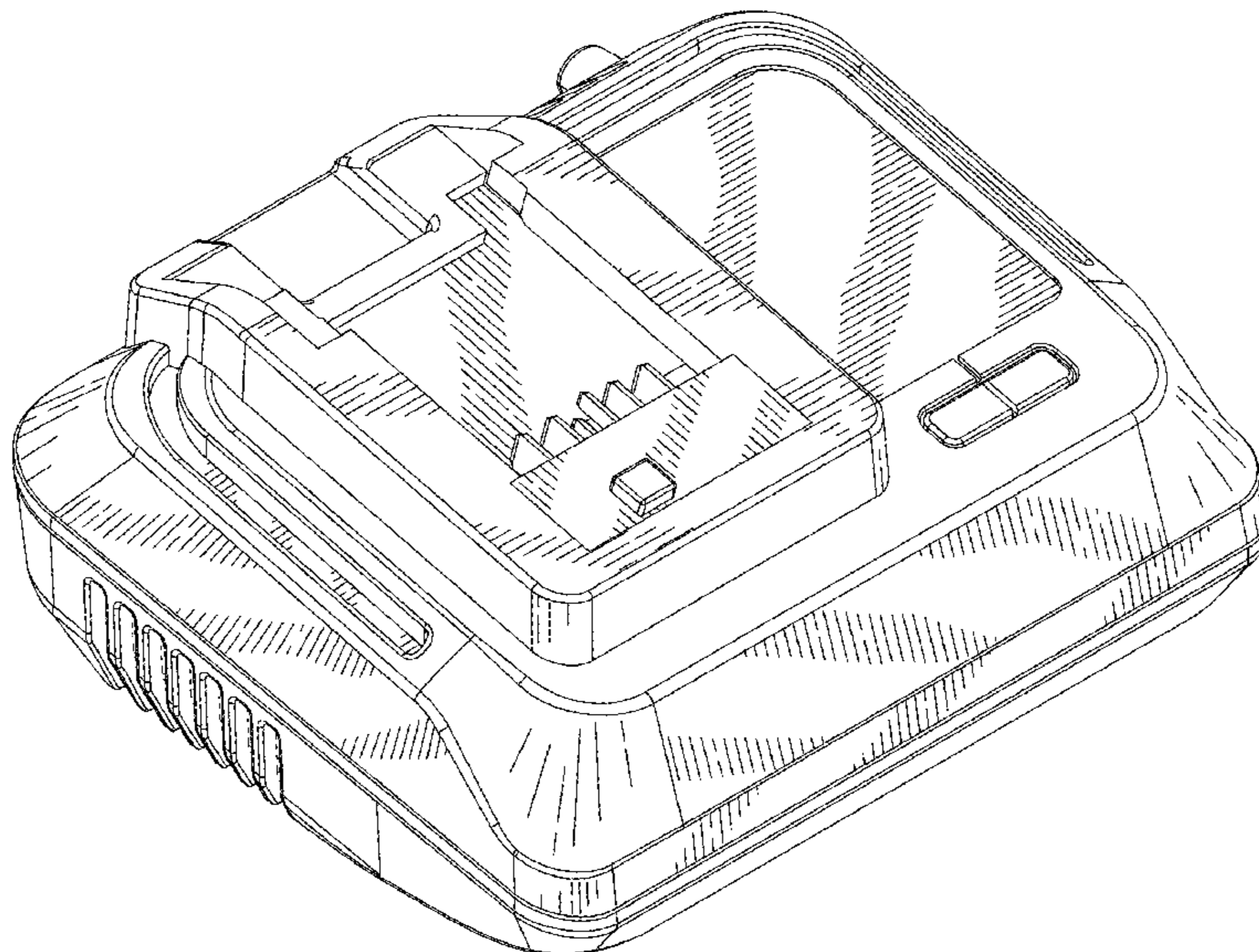
FIG. 1 is a perspective view from above of my battery charger design,  
FIG. 2 is a front view of my design,  
FIG. 3 is a rear view of my design,  
FIG. 4 is a view of the right side thereof,  
FIG. 5 is a view of the left side thereof,  
FIG. 6 is a top view of the design, and,  
FIG. 7 is a bottom view thereof.  
The broken lines depict portions of the battery charger that form no part of the claimed design.

(56) **References Cited**

**U.S. PATENT DOCUMENTS**

D367,651 S \* 3/1996 Hellier ..... D13/108  
D472,875 S \* 4/2003 Garvis ..... D13/107  
D507,234 S \* 7/2005 Heun ..... D13/107  
D548,687 S \* 8/2007 Okuda ..... D13/107  
D610,085 S \* 2/2010 Sweeney ..... D13/107  
D621,345 S \* 8/2010 Tinius ..... D13/107  
D636,723 S \* 4/2011 Yamamoto ..... D13/107  
D814,404 S \* 4/2018 Barajas ..... D13/107  
D839,183 S \* 1/2019 Kirkpatrick ..... D13/107  
D855,019 S \* 7/2019 Rustill ..... D13/108  
2013/0127403 A1\* 5/2013 Chen ..... H02J 7/0044  
320/107

**1 Claim, 6 Drawing Sheets**



(56)

**References Cited**

OTHER PUBLICATIONS

ALDI Advertisement of Jun. 2016.  
ALDI Advertisement of Gardenline Cordless Trimmer or Blower,  
Product Code 45239, Apr. 13, 2016.  
ALDI Advertisement Apr. 2016.  
ALDI Advertisement of Gardenline Cordless Blower or String  
Trimmer, 18V Lithium-Ion Battery, May 13, 2015.  
ALDI Advertisement, May 2015.  
ALDI Advertisement of Workzone Cordless 16V Li-Ion Drill,  
Product Code 92707, Dec. 16, 2015.  
ALDI Advertisement, Dec. 2015.  
ALDI Battery Pack Promotions 2015-2018, p. 1-11.

\* cited by examiner



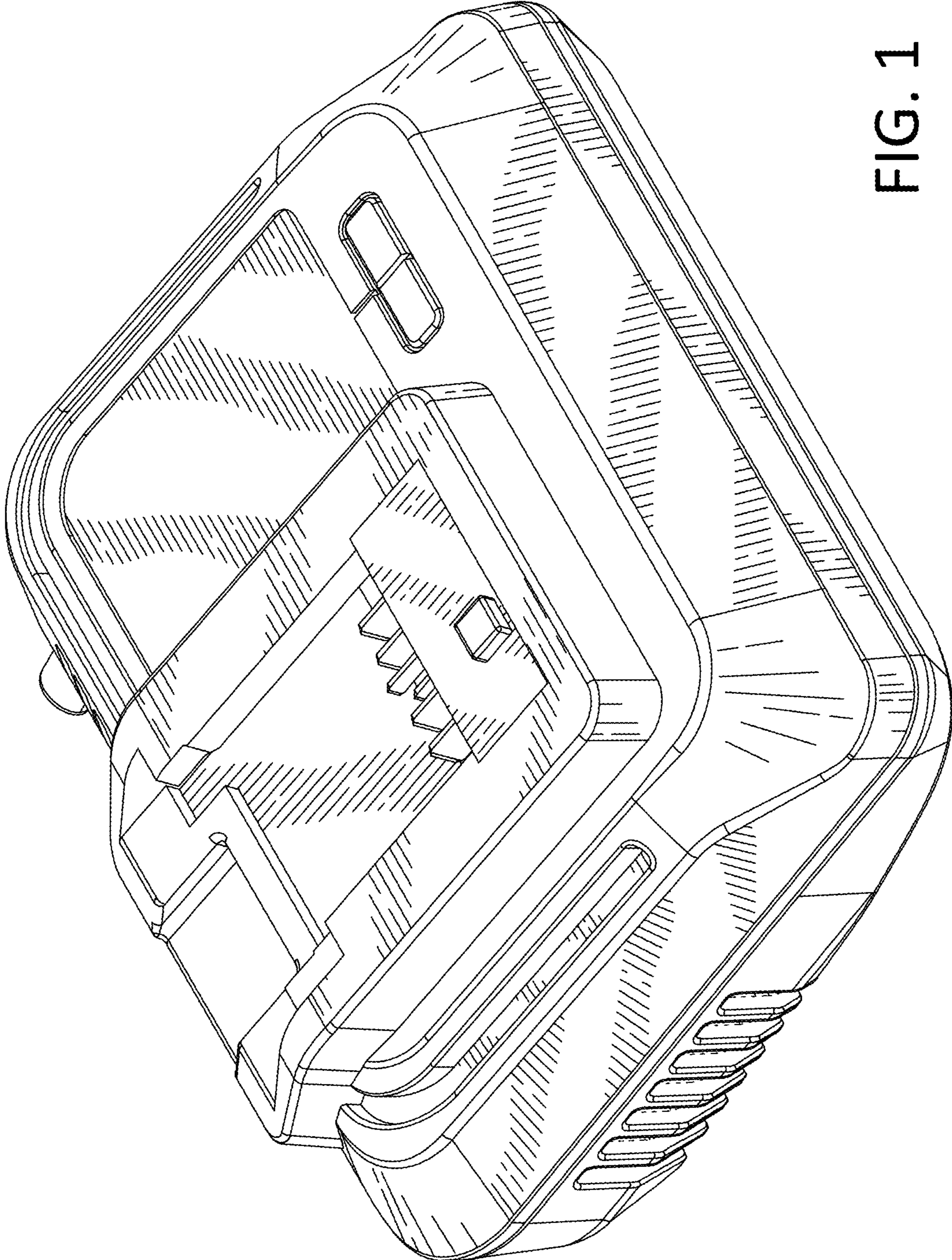


FIG. 1

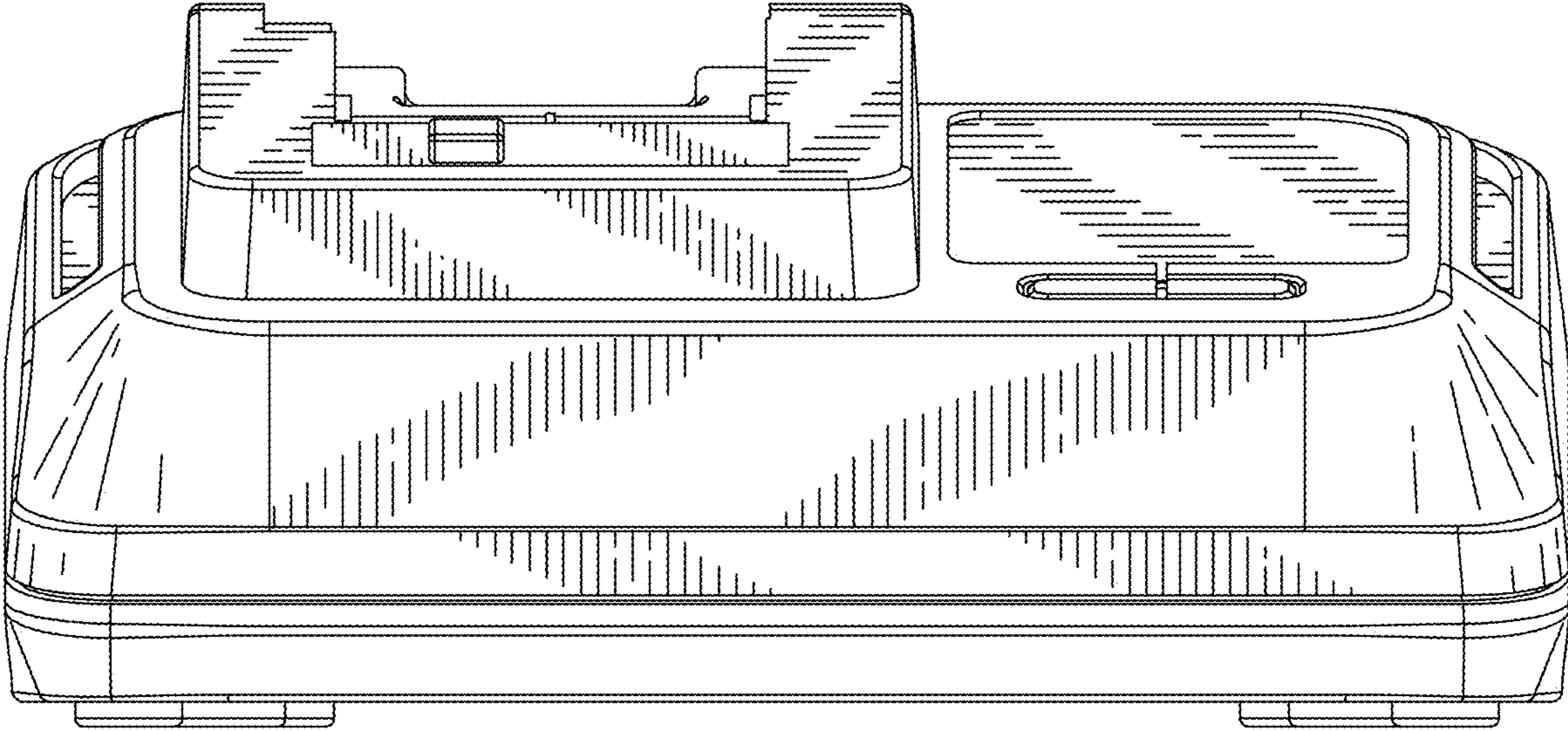


FIG. 2

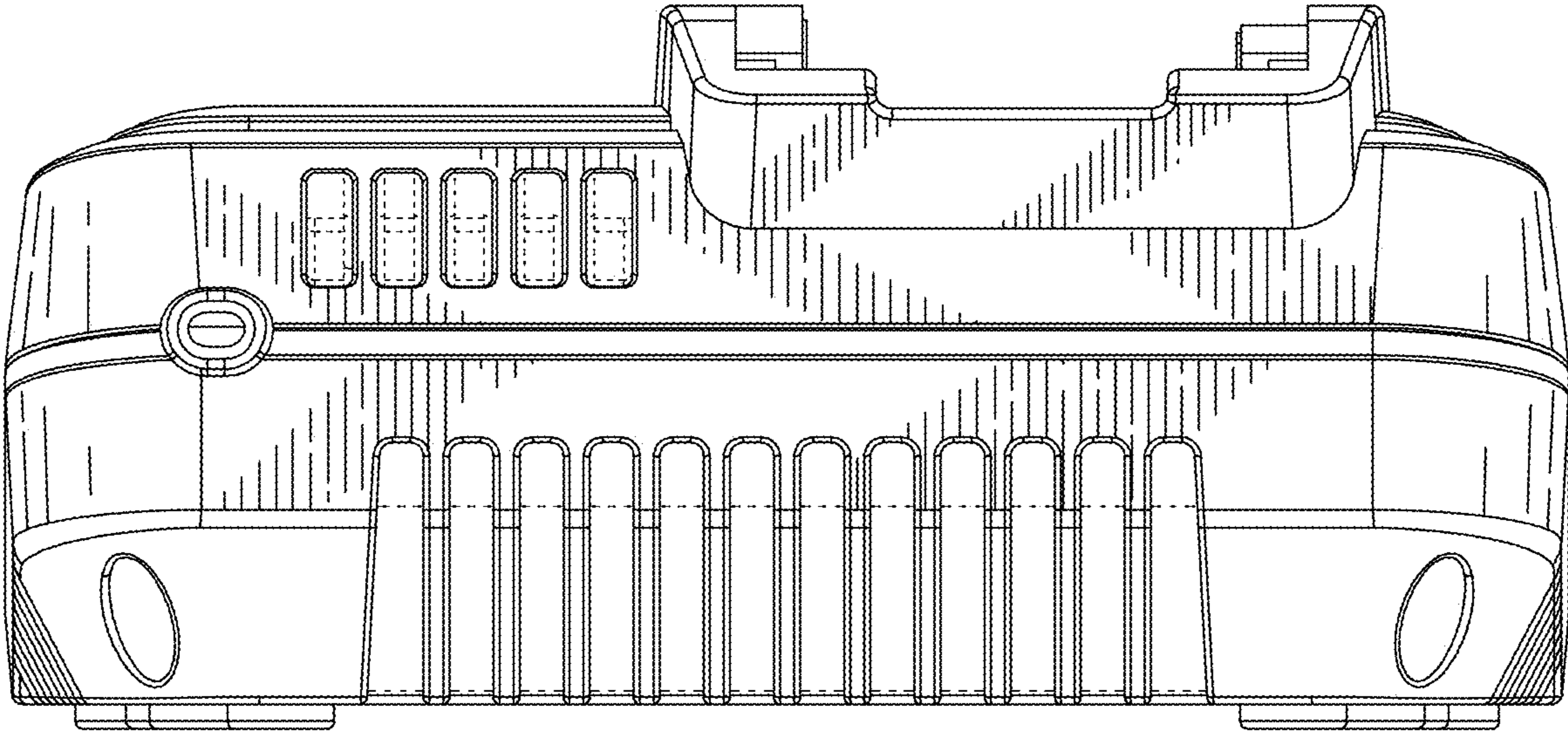


FIG. 3

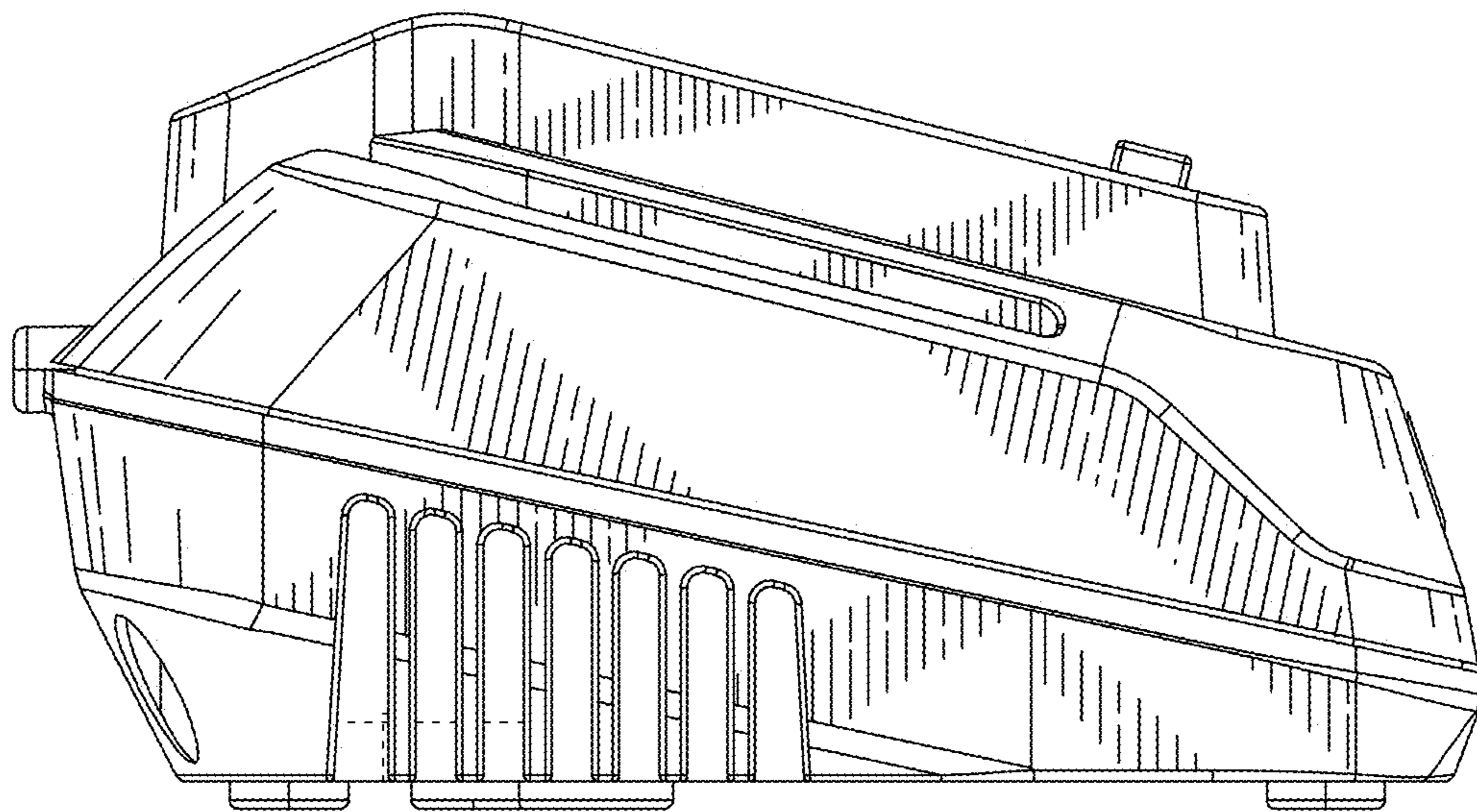


FIG. 4



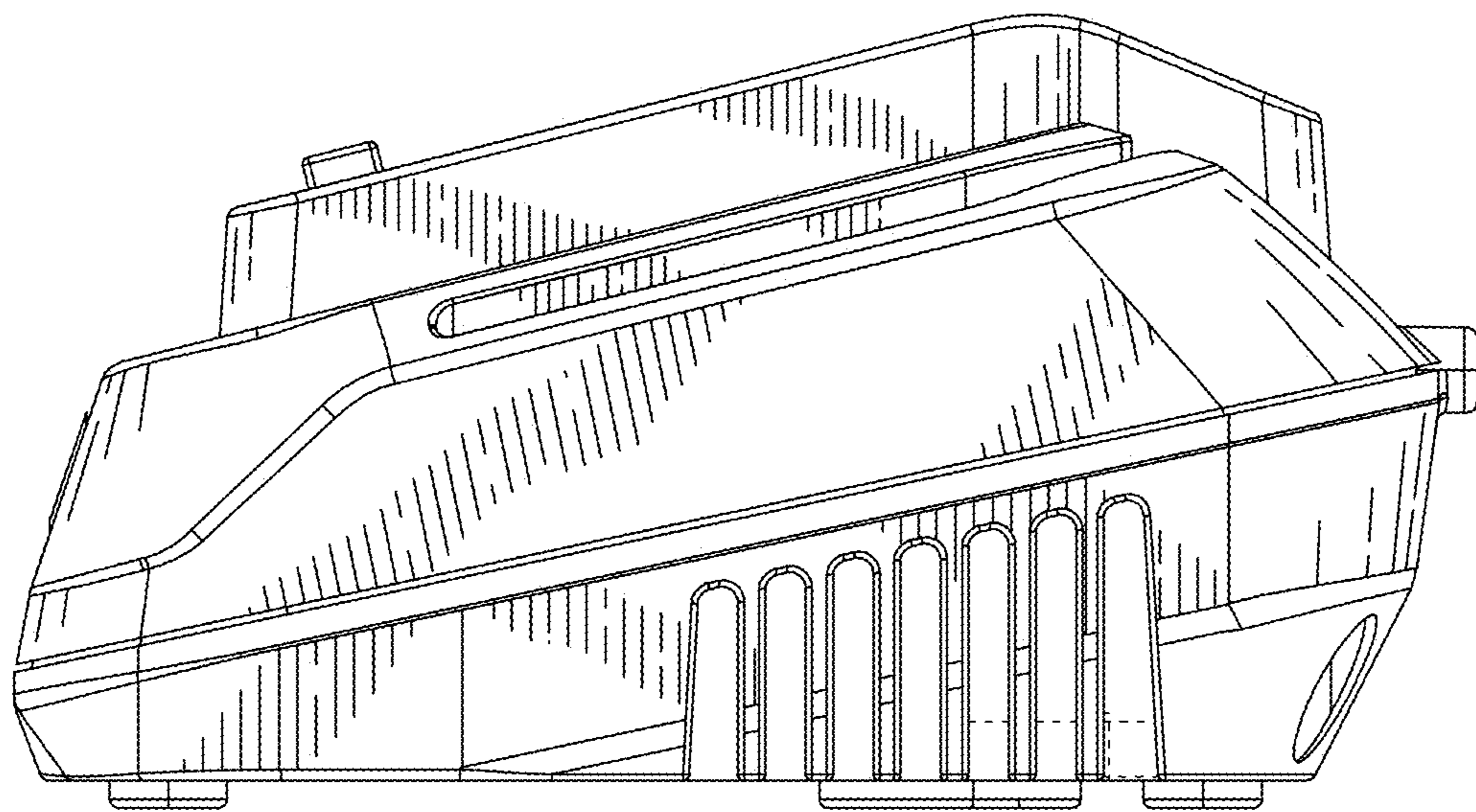


FIG. 5

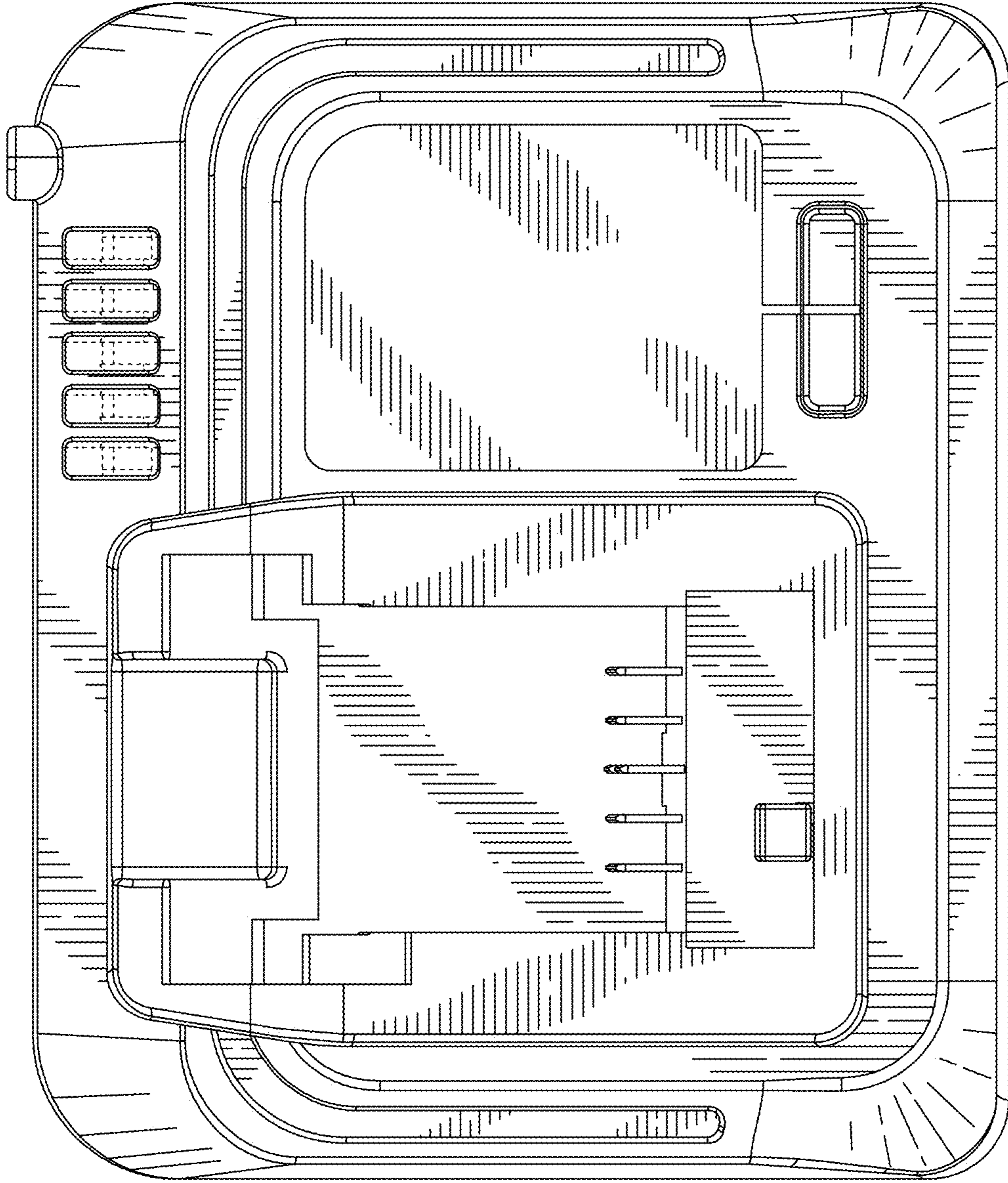


FIG. 6

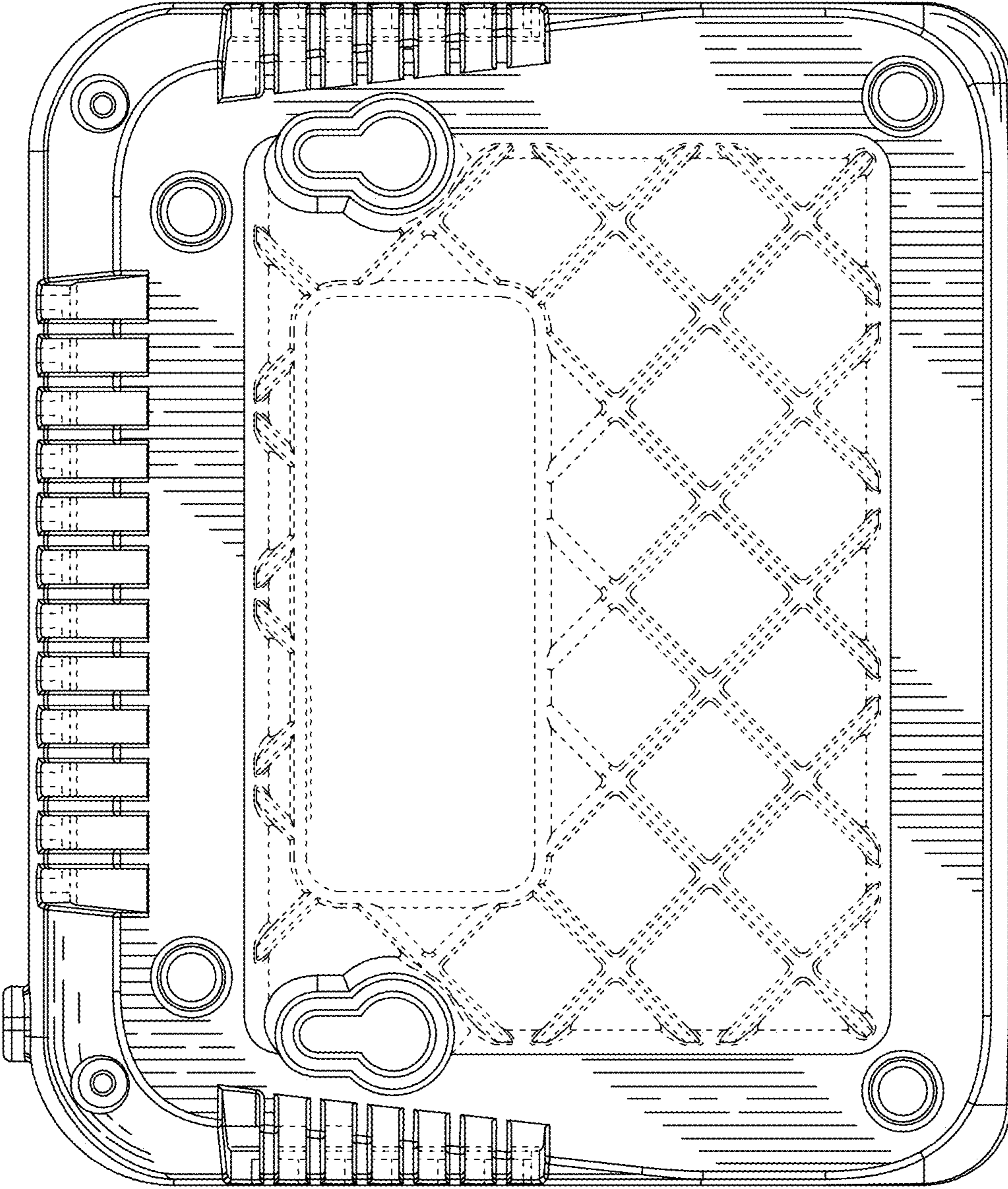


FIG. 7