



US00D870655S

(12) **United States Design Patent** (10) **Patent No.:** **US D870,655 S**
Vignau-Lous (45) **Date of Patent:** **** Dec. 24, 2019**

(54) **PORTABLE BATTERY**

(56) **References Cited**

(71) Applicant: **SOCIETE TURRIPINOISE DE MECANIQUE**, Saint Didier de la Tour (FR)

U.S. PATENT DOCUMENTS

D186,713 S *	11/1959	Roth	D13/103
D300,920 S *	5/1989	Gierke	D13/106
D334,560 S *	4/1993	Wilson	D13/106
5,793,185 A *	8/1998	Prelec	H01M 2/1072 320/104
D484,852 S *	1/2004	James	D13/107
D504,396 S *	4/2005	Hussaini	D13/107
D511,135 S *	11/2005	Krieger	D13/107
D530,664 S *	10/2006	Wingerter	D13/107
D654,863 S *	2/2012	Whiting	D13/107
D654,864 S *	2/2012	Whiting	D13/107

(72) Inventor: **Bertrand Vignau-Lous**, Crest (FR)

(73) Assignee: **SOCIETE TURRIPINOISE DE MECANIQUE**, Saint Didier de la Tour (IT)

(**) Term: **15 Years**

* cited by examiner

(21) Appl. No.: **35/504,372**

Primary Examiner — Rhea Shields

(22) Filed: **Oct. 3, 2017**

(74) *Attorney, Agent, or Firm* — Cantor Colburn LLP

(80) **Hague Agreement Data**

Int. Filing Date: **Oct. 3, 2017**
Int. Reg. No.: **DM/099334**
Int. Reg. Date: **Oct. 3, 2017**
Int. Reg. Pub. Date: **Feb. 2, 2018**

(57) **CLAIM**

The ornamental design for a portable battery, as shown and described.

(30) **Foreign Application Priority Data**

Apr. 6, 2017 (EM) 003844265

(51) **LOC (12) Cl.** **13-02**

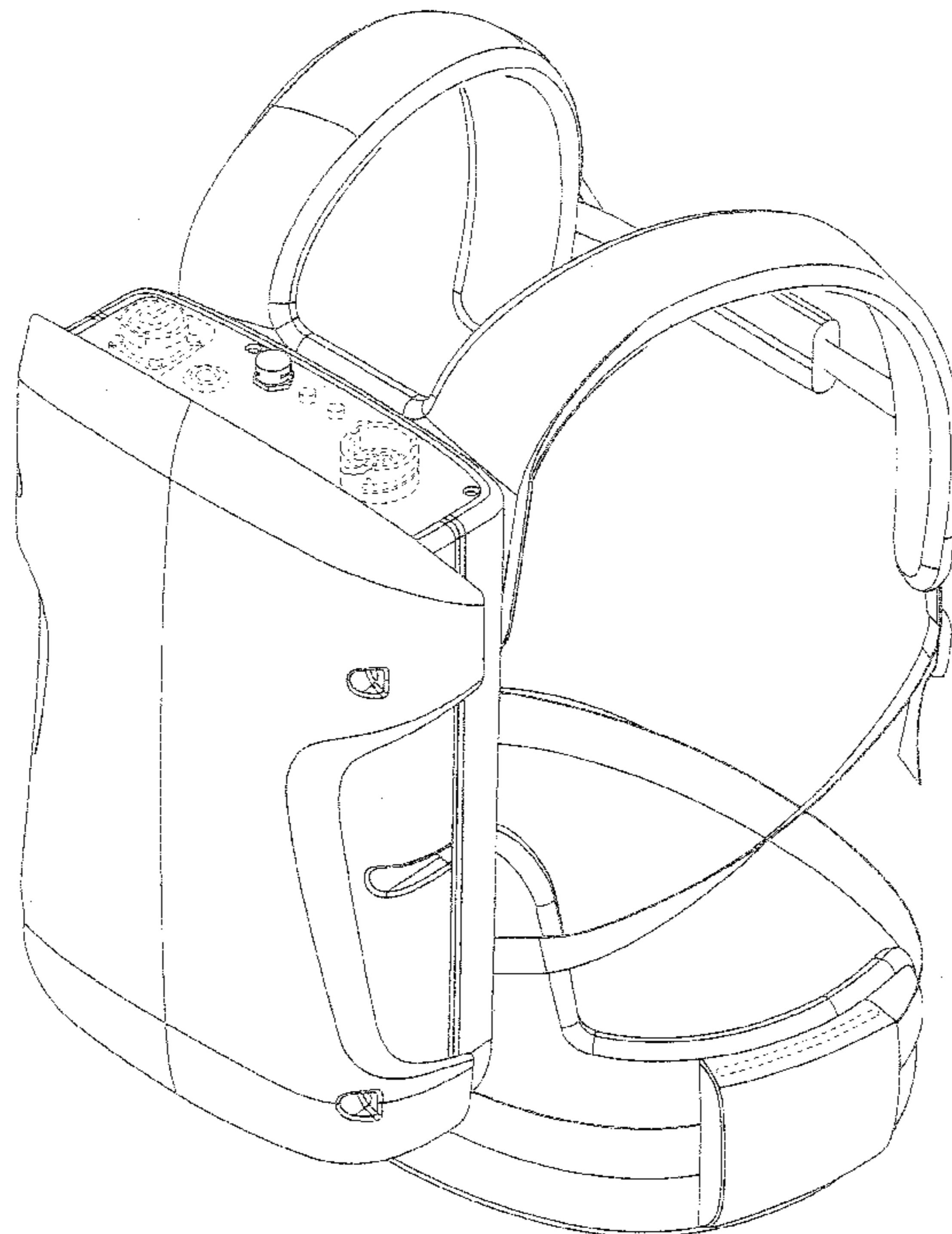
(52) **U.S. Cl.**
USPC **D13/103**

(58) **Field of Classification Search**
USPC D13/103, 106, 107; 320/104
CPC H01M 2/1072
See application file for complete search history.

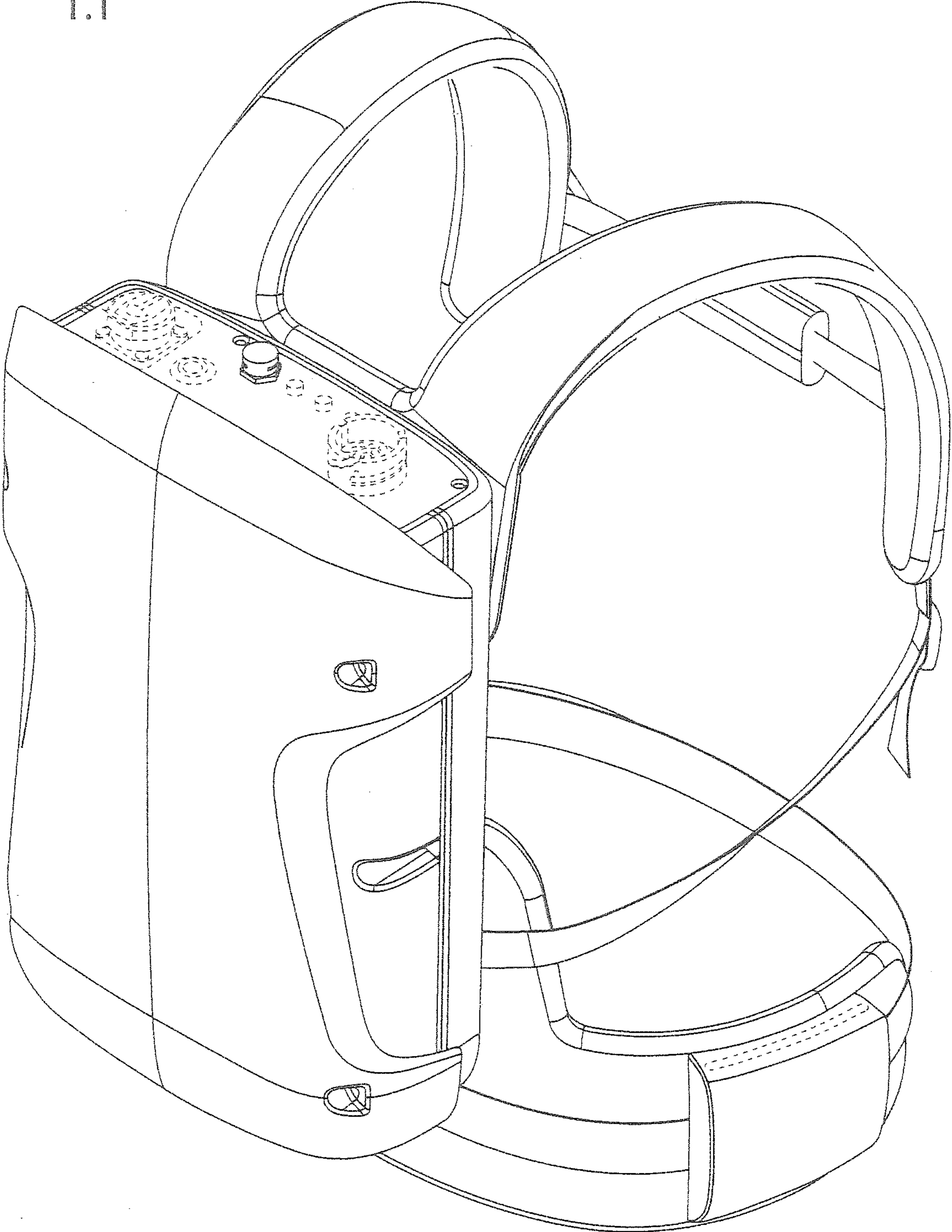
DESCRIPTION

1.1 is a perspective view of a portable battery, showing my new design;
1.2 is a rear view thereof;
1.3 is a side view thereof;
1.4 is a top view thereof;
1.5 is a front view thereof; and
1.6 is a side view thereof.
In the drawings, the broken lines are for the purpose of illustrating environment only and form no part of the claimed design.

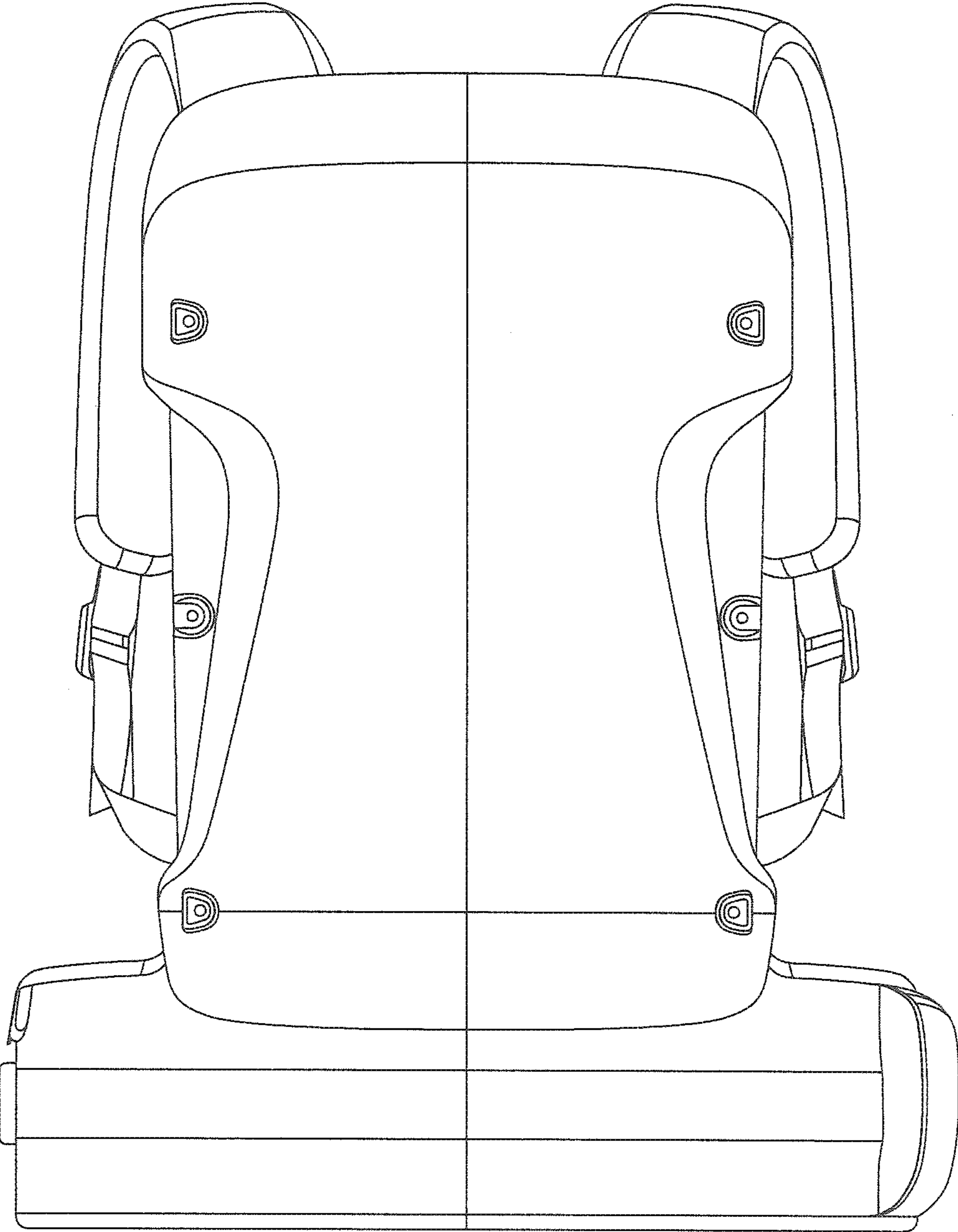
1 Claim, 6 Drawing Sheets



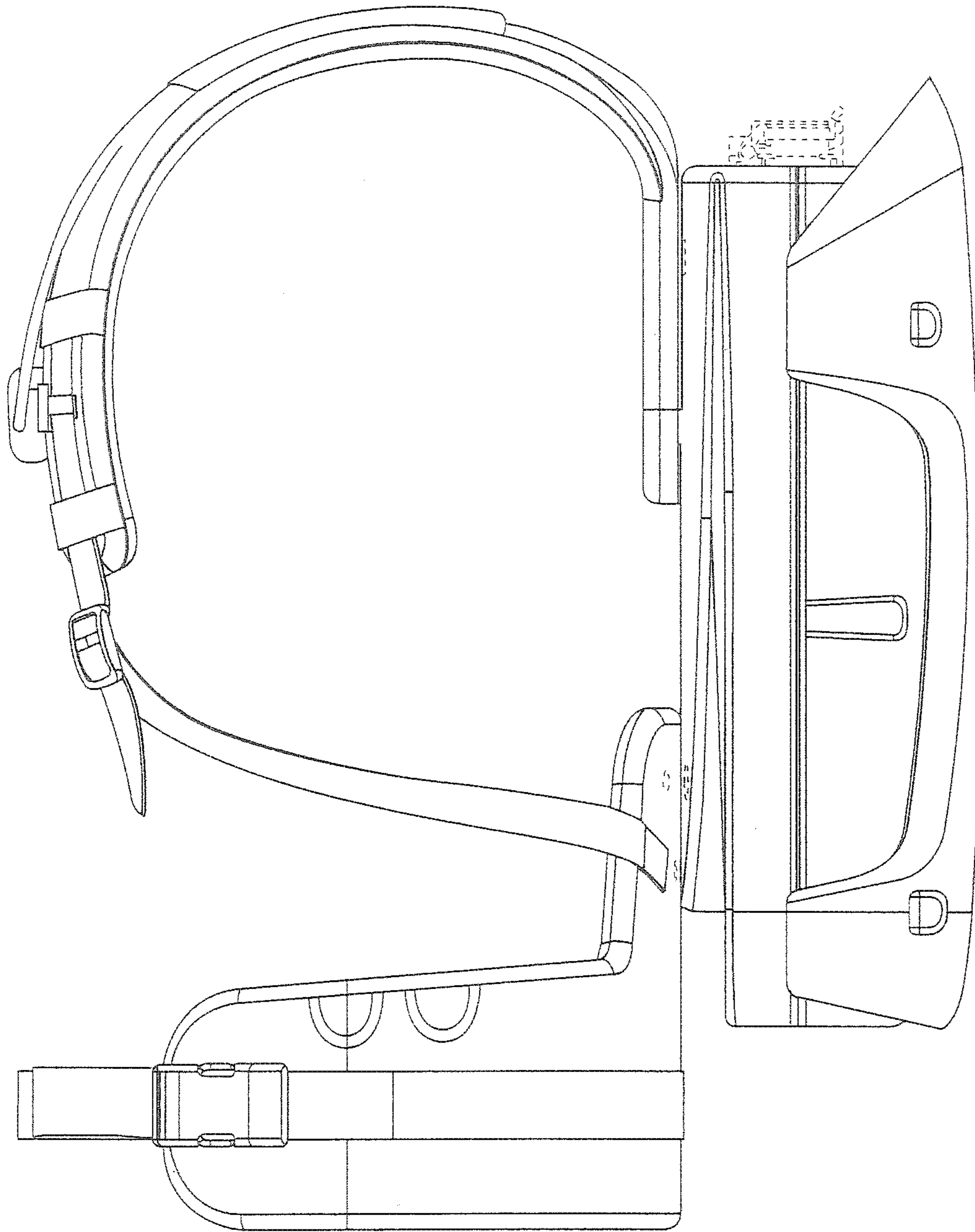
1.1



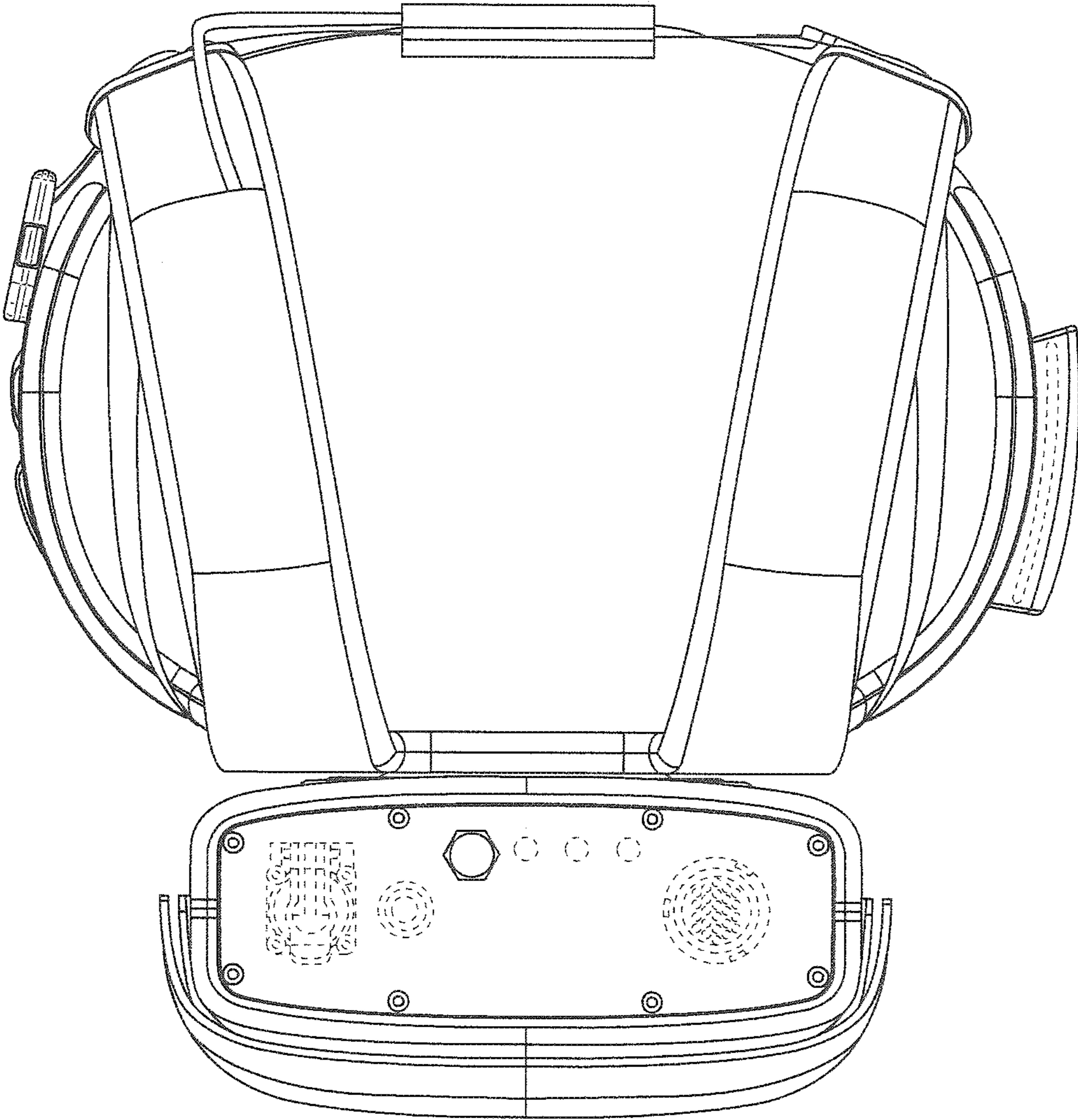
1.2



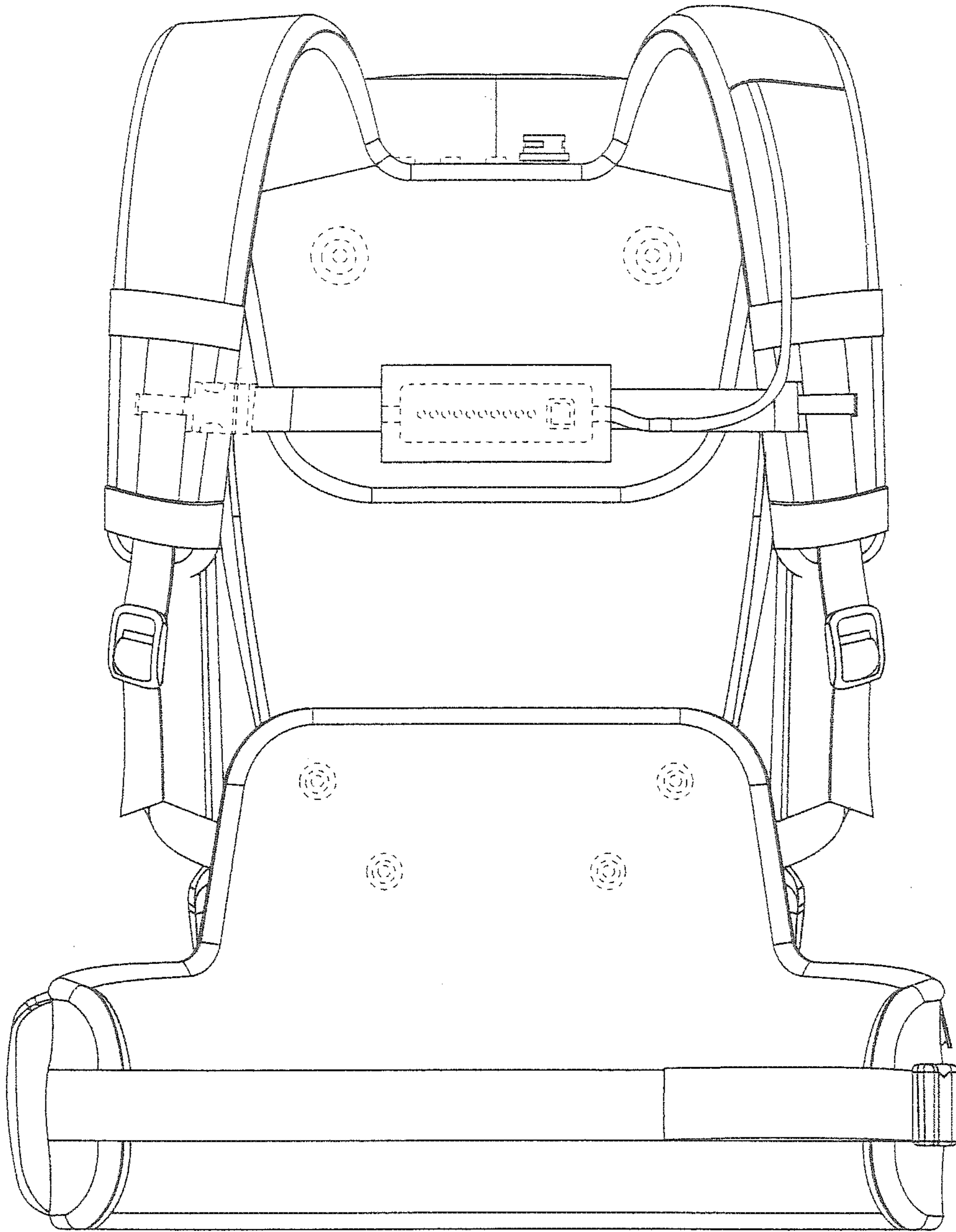
1.3



1.4



1.5



1.6

