



US00D870649S

(12) **United States Design Patent** (10) **Patent No.:** **US D870,649 S**
Keefe et al. (45) **Date of Patent:** **** Dec. 24, 2019**

(54) **TIRE**

(71) Applicant: **Compagnie Generale des Etablissements Michelin**, Clermont-Ferrand (FR)

(72) Inventors: **Brian Joseph Keefe**, Simpsonville, SC (US); **Nicholas Mailhiot**, Greenville, SC (US); **Bobby McClellon**, Greer, SC (US)

(73) Assignee: **Compagnie Generale des Etablissements Michelin**, Clermont-Ferrand (FR)

(**) Term: **15 Years**

(21) Appl. No.: **29/670,329**

(22) Filed: **Nov. 15, 2018**

(51) **LOC (12) Cl.** **12-15**

(52) **U.S. Cl.**
USPC **D12/563**

(58) **Field of Classification Search**
USPC D12/505-567, 580, 586, 604
CPC B60C 11/0302; B60C 2011/0339-0355;
B60C 2011/0358-0372; B60C 2011/0374-0379; B60C 2011/0381-0383;
B60C 2011/0386-0397
See application file for complete search history.

(56) **References Cited**

U.S. PATENT DOCUMENTS

D336,455 S * 6/1993 Hammond D12/558
D386,134 S 11/1997 Giroto
D458,584 S * 6/2002 Young D12/600
D503,375 S * 3/2005 Heinen D12/567

(Continued)

FOREIGN PATENT DOCUMENTS

EM 003311240-0001 7/2016

Primary Examiner — George D. Kirschbaum

Assistant Examiner — Joseph J Kukella

(74) *Attorney, Agent, or Firm* — Neal P. Pierotti

(57) **CLAIM**

The ornamental design for a tire, as shown and described.

DESCRIPTION

FIG. 1 is a perspective view of a first embodiment of a tire of our new design, it being understood that the tread is repeated throughout the circumference of the tire;

FIG. 2 is a front view thereof;

FIG. 3 is a right side view thereof, the left side view being a mirror image.

FIG. 4 is a section view thereof, taken along line 4 of FIG. 2;

FIG. 5 is a section view thereof, taken along line 5 of FIG. 2;

FIG. 6 is a perspective view of a second embodiment of a tire of our new design, it being understood that the tread is repeated throughout the circumference of the tire;

FIG. 7 is a front view thereof;

FIG. 8 is a section view thereof, taken along line 8 of FIG. 7;

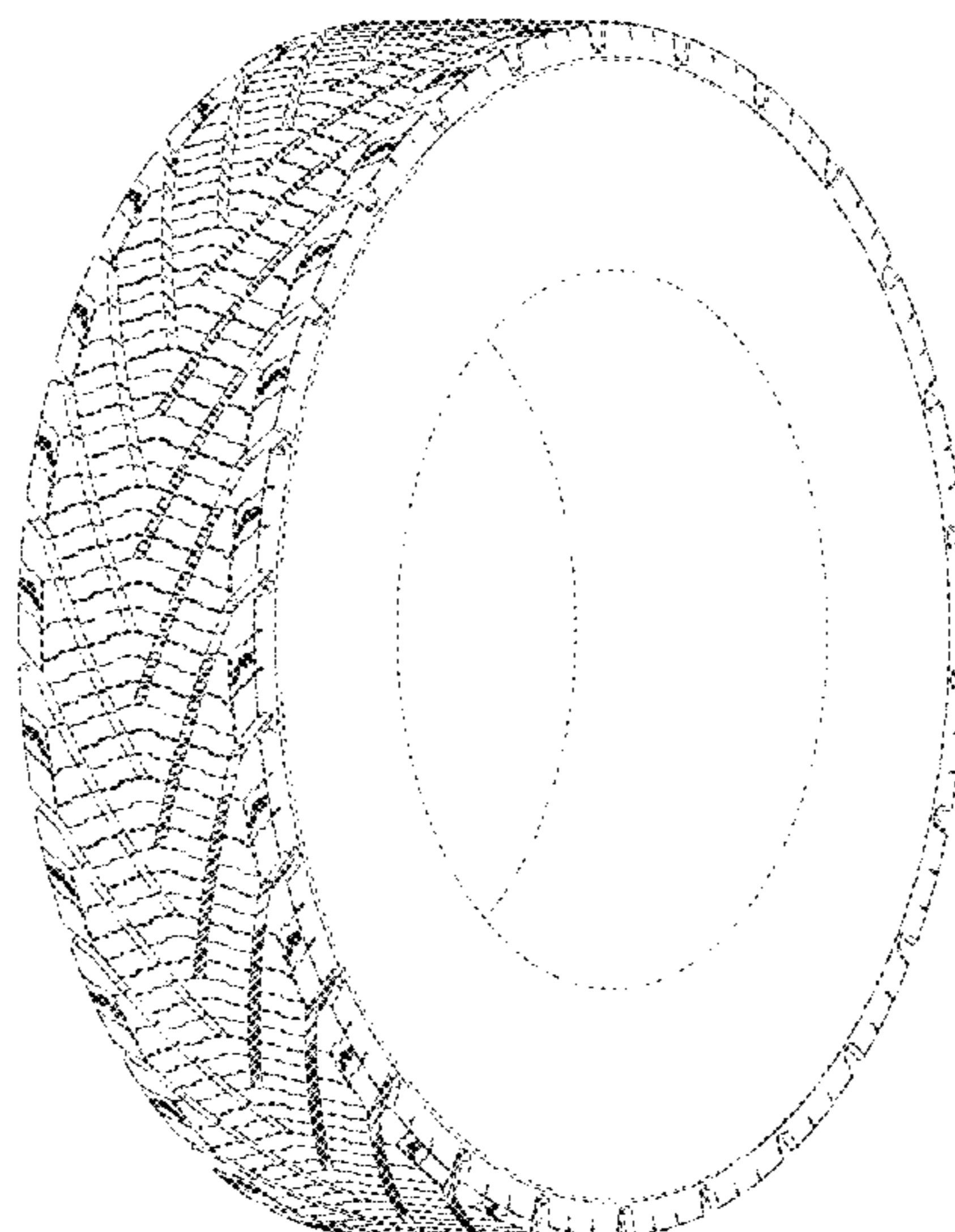
FIG. 9 is a section view thereof, taken along line 9 of FIG. 7;

FIG. 10 is a right side view thereof, the left side view being a mirror image; and,

FIG. 11 is an enlarged view of a portion of the tread of FIG. 2, it being understood that the tread continues on above and below the dash-dash-dot lines. The dash-dash-dot broken lines form no part of the claimed design.

In the drawings, the dash-dash broken lines defining the sidewall, inner bead and the peripheral boundary between the claimed tire tread and the unclaimed sidewall depict environmental subject matter that forms no part of the claimed design.

1 Claim, 11 Drawing Sheets



(56)

References Cited

U.S. PATENT DOCUMENTS

D516,998 S *	3/2006	Wang	D12/563
D535,247 S *	1/2007	Shondel	D12/553
D535,248 S *	1/2007	Ashton	D12/553
D562,220 S *	2/2008	Youn	D12/563
D562,221 S *	2/2008	Oh	D12/563
D574,318 S *	8/2008	Ashton	D12/553
D637,150 S *	5/2011	Koshio	D12/579
D721,637 S *	1/2015	Kossi	D12/559
D745,844 S *	12/2015	Raatikainen	D12/545

* cited by examiner

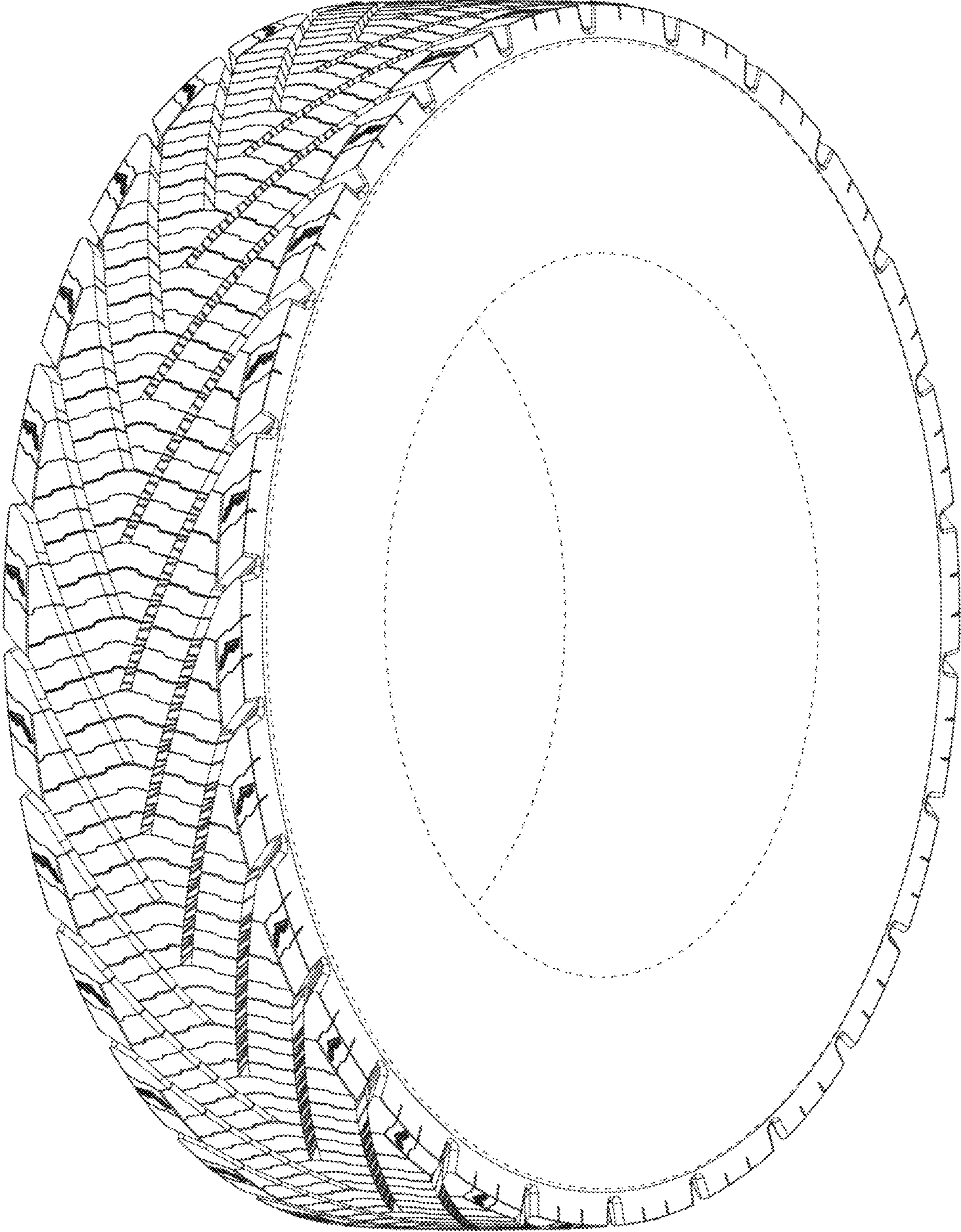


FIG. 1

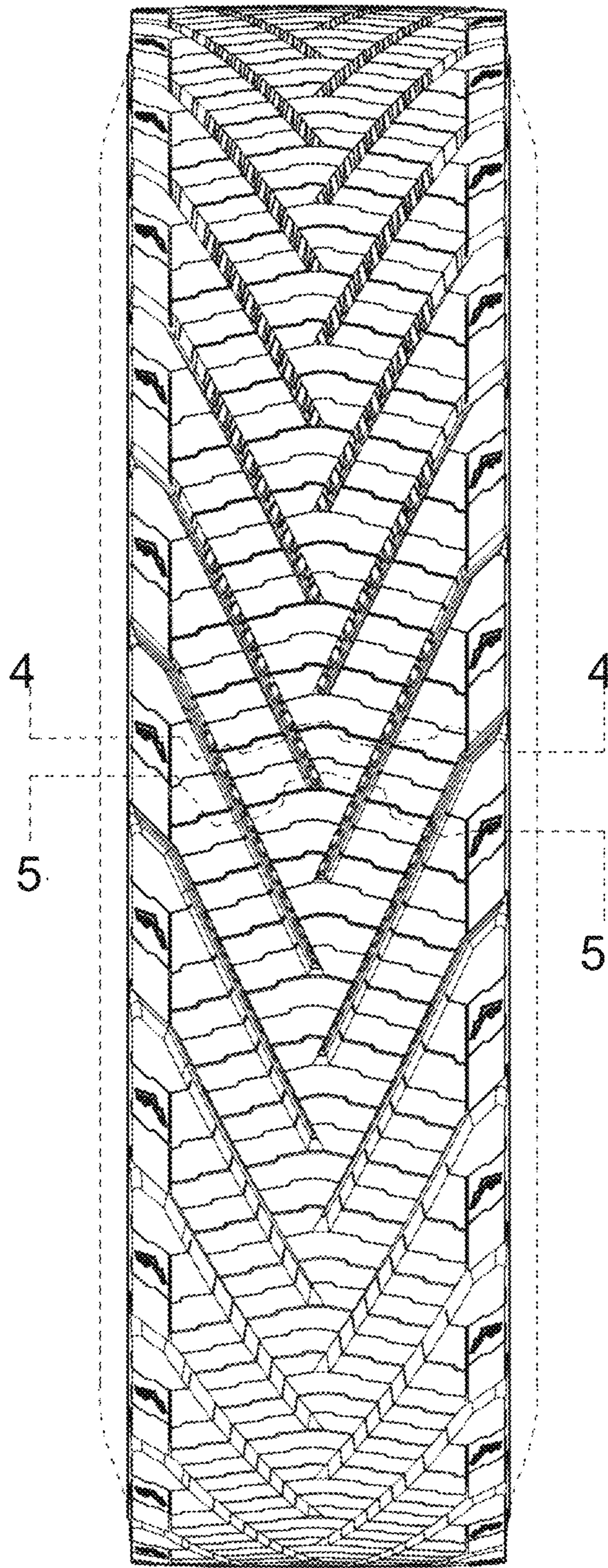


FIG. 2

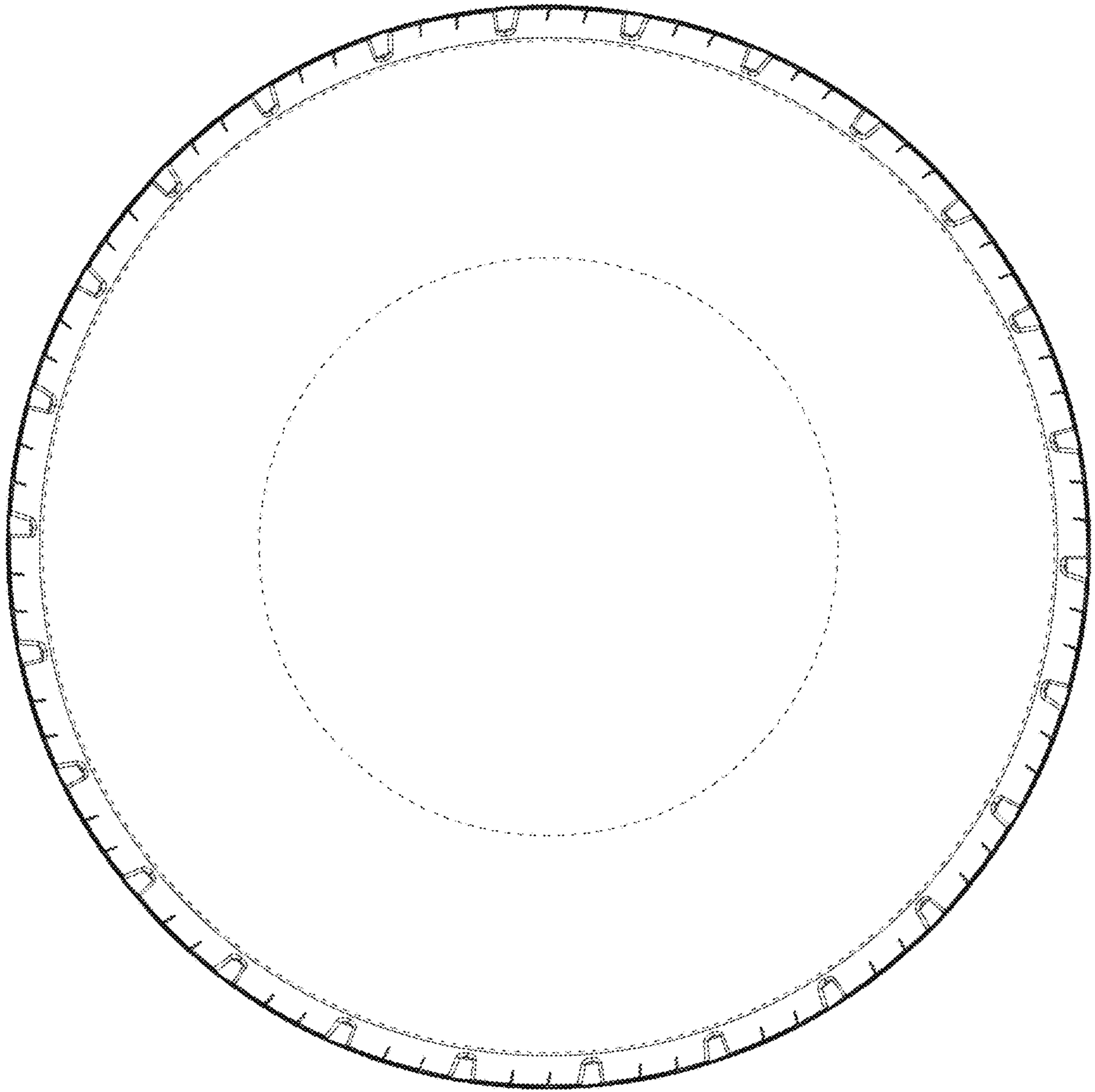


FIG. 3

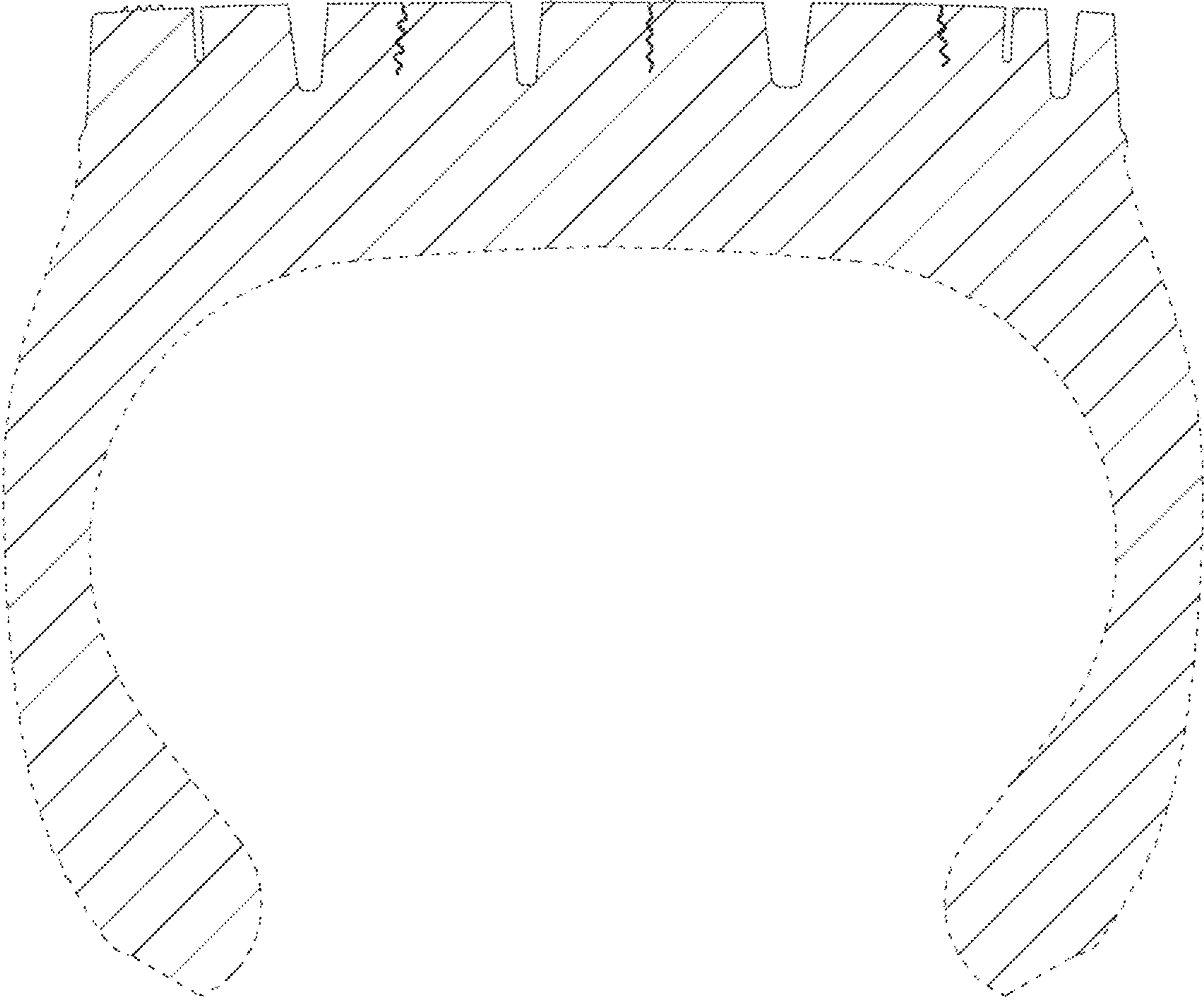


FIG. 4

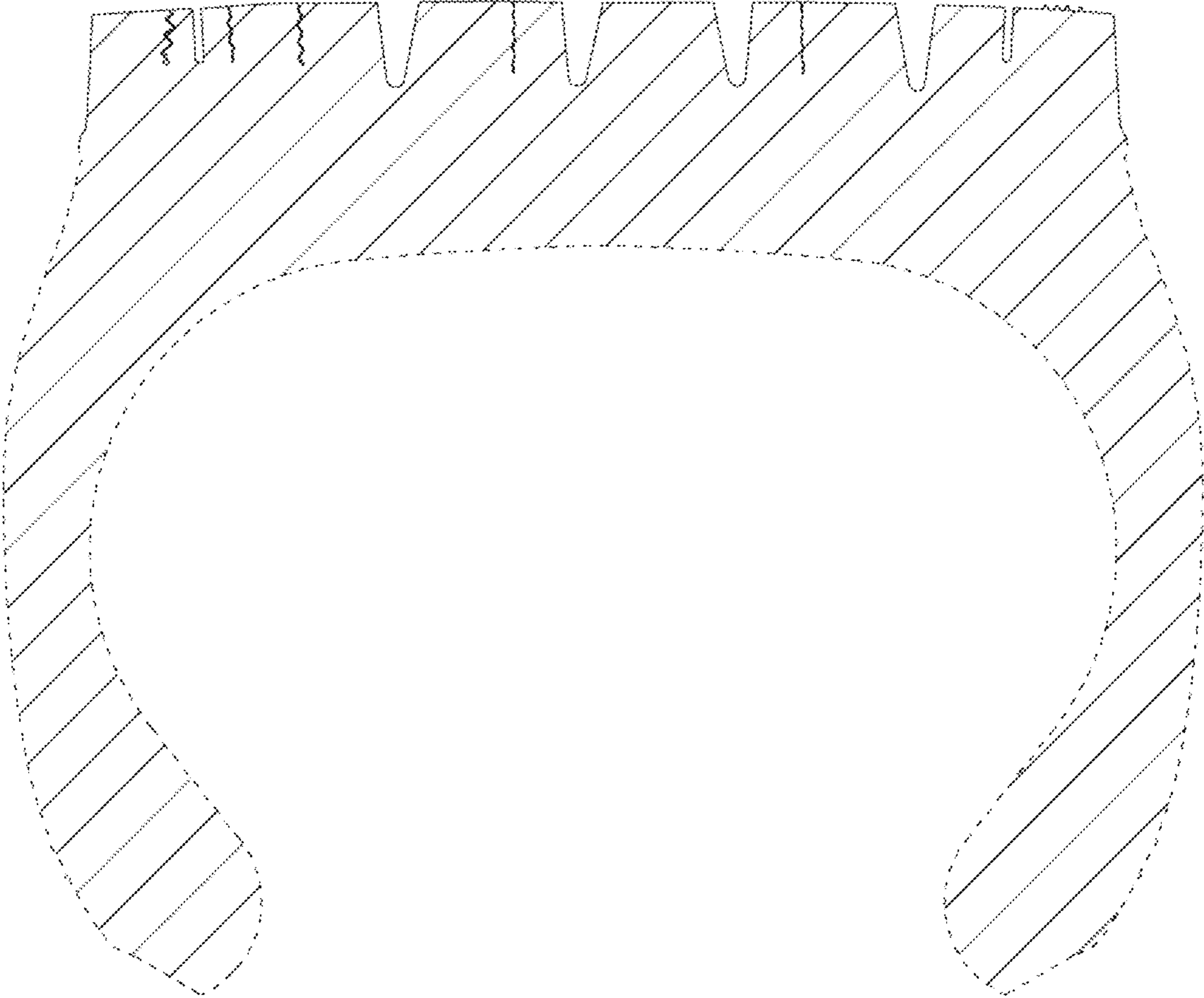


FIG. 5

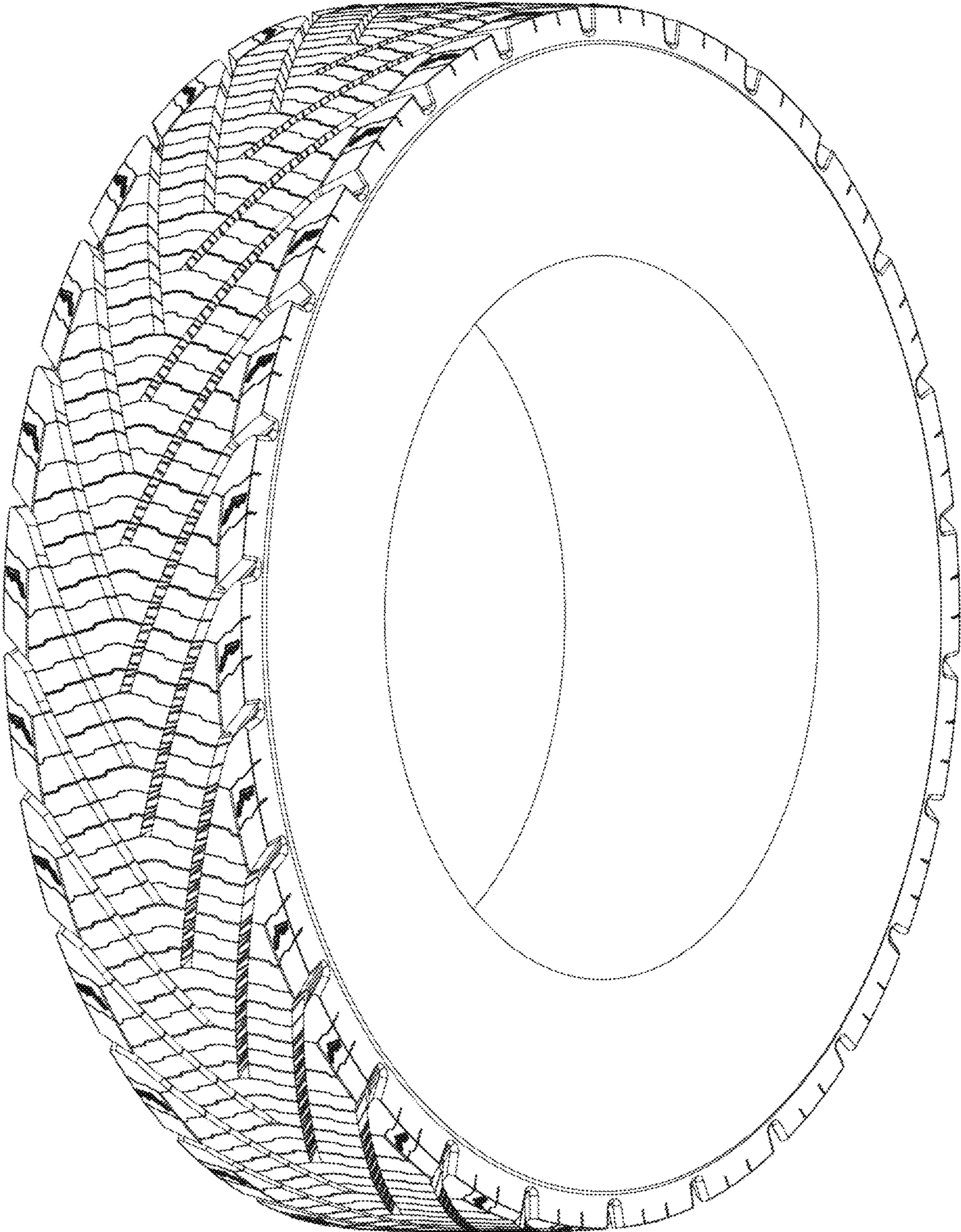


FIG. 6

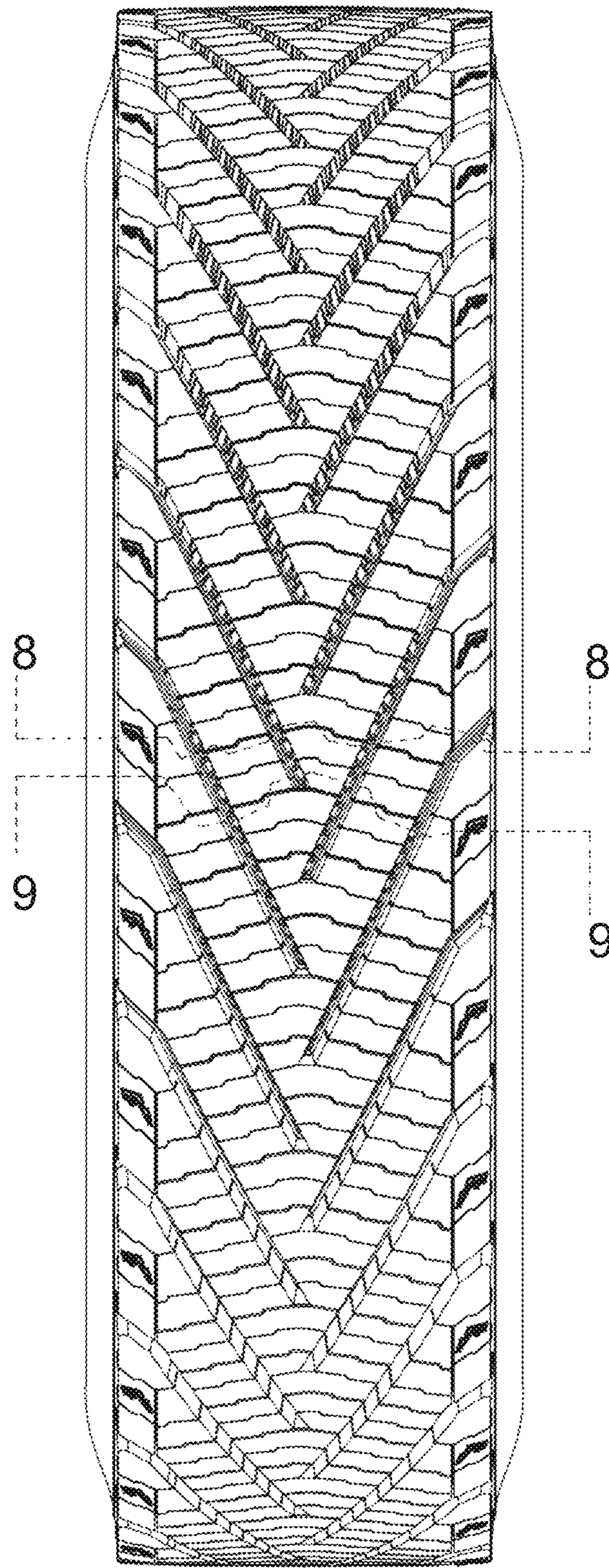


FIG. 7

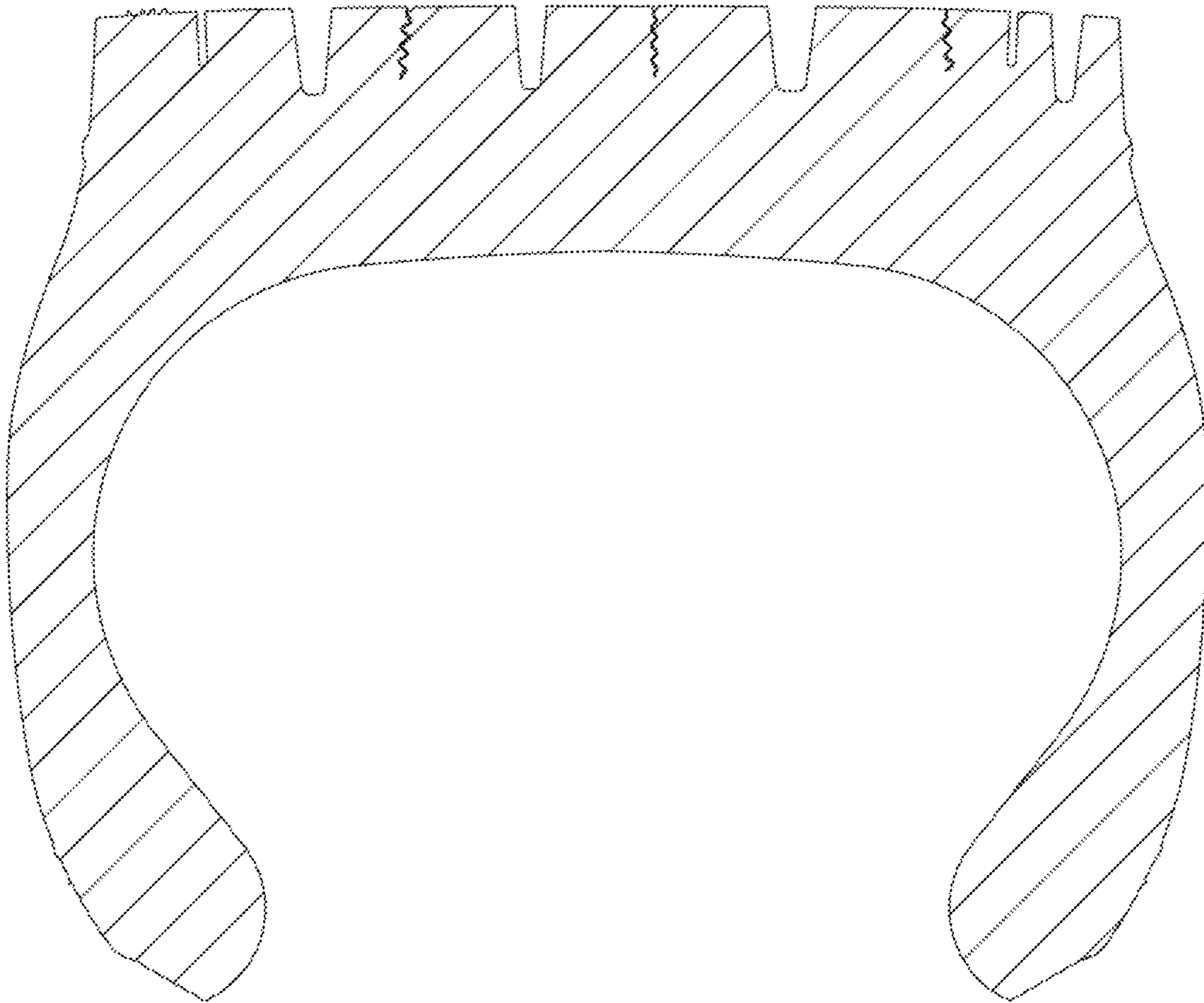


FIG. 8

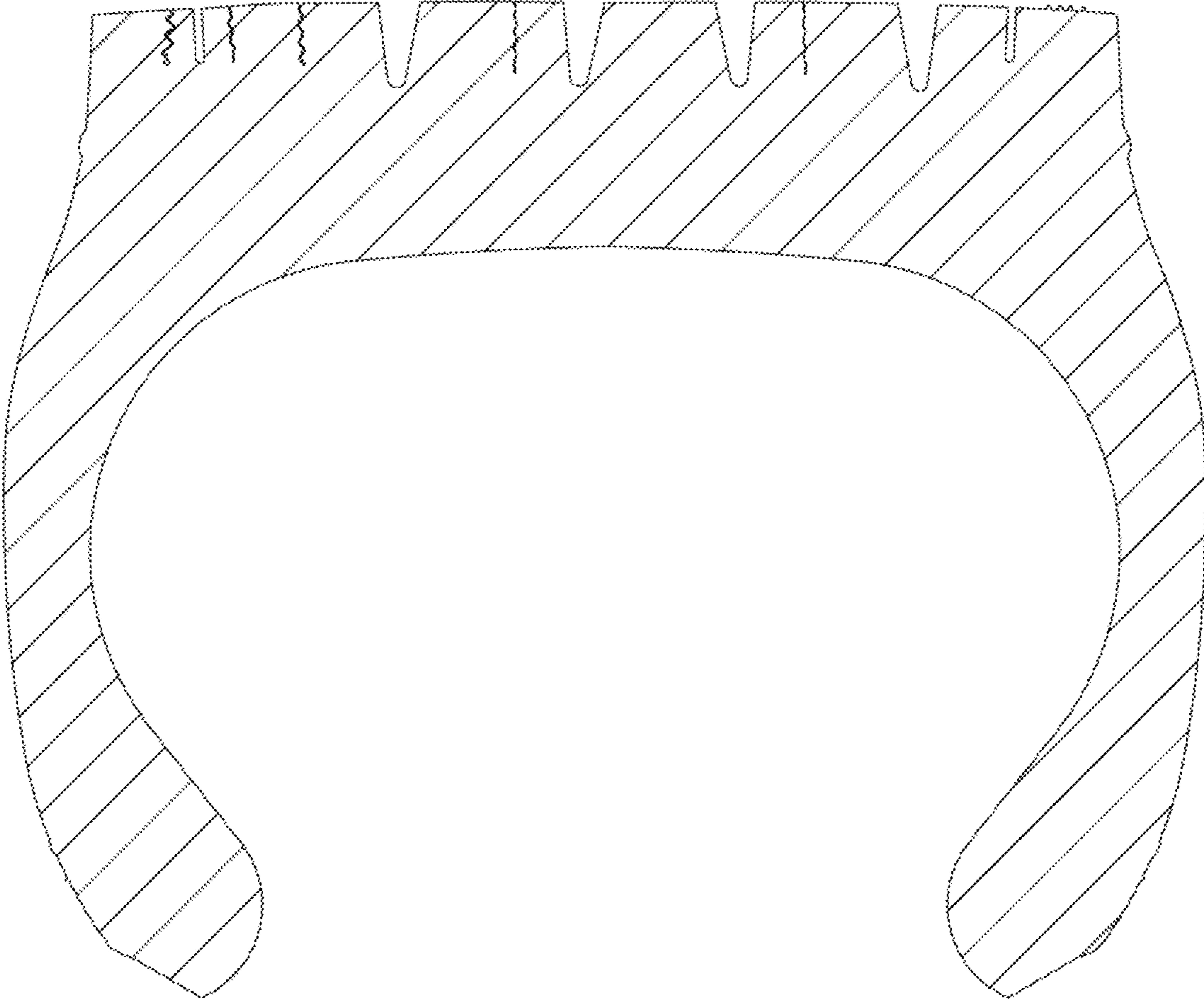


FIG. 9

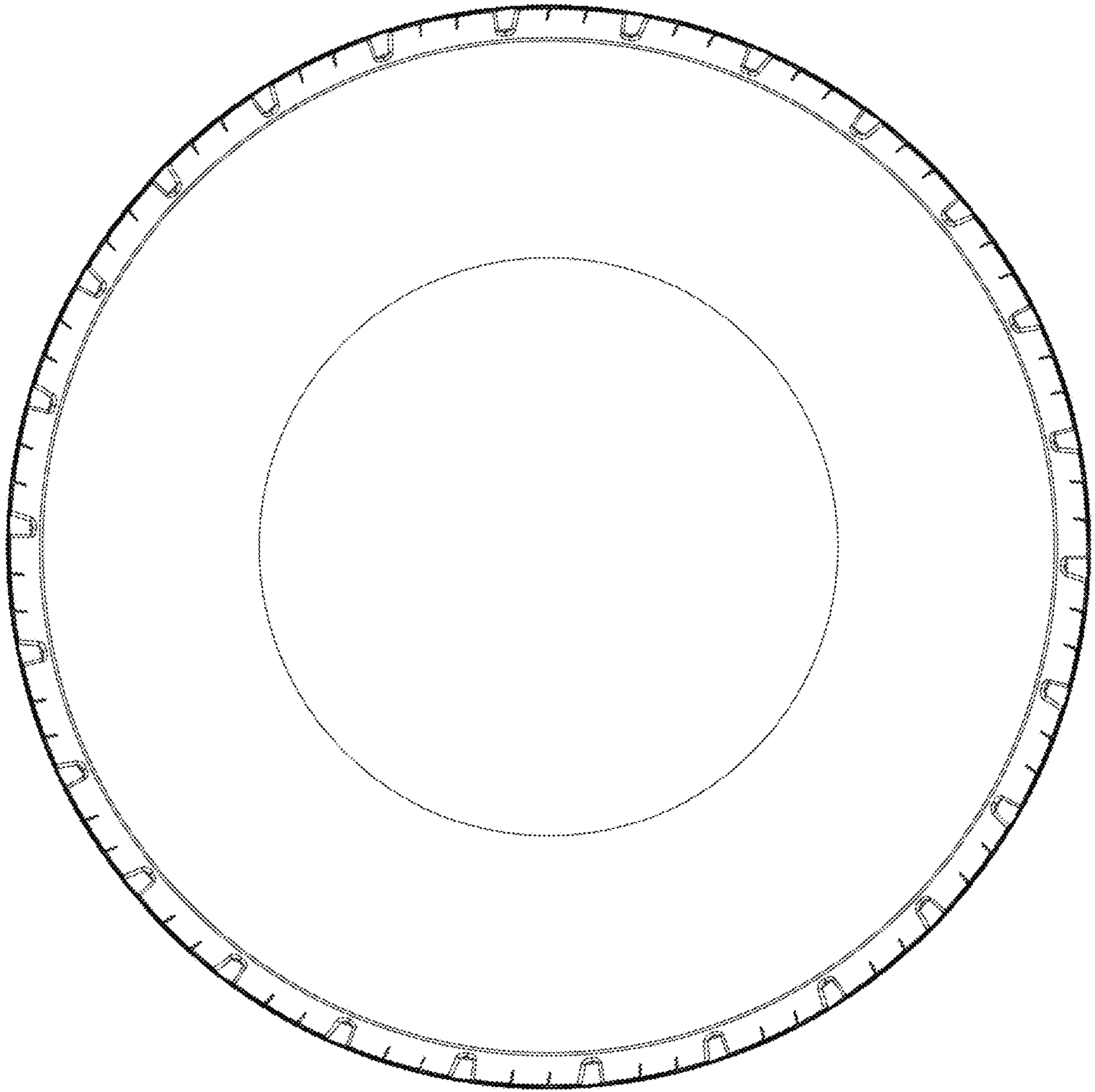


FIG. 10

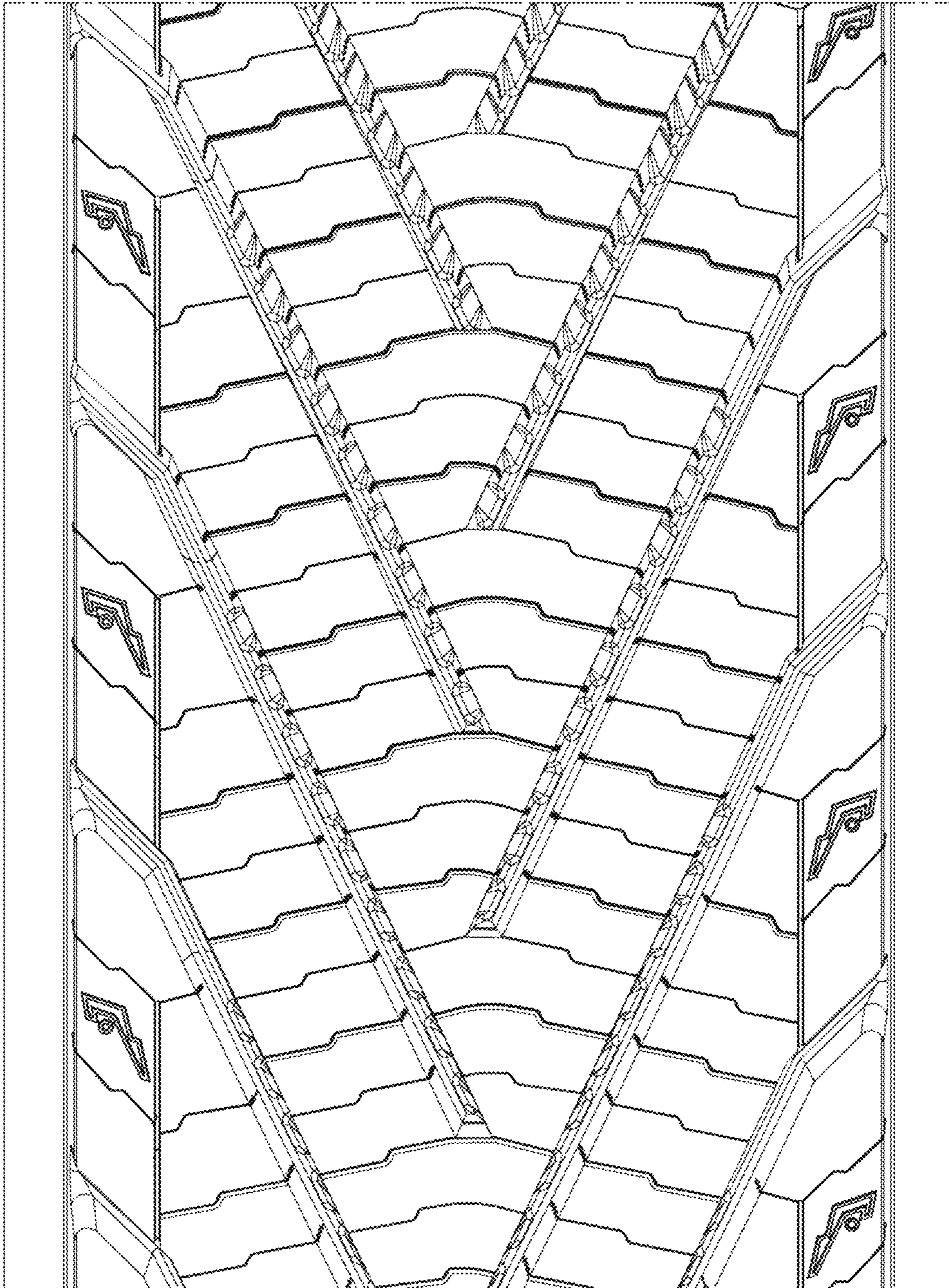


FIG. 11