



US00D870646S

(12) **United States Design Patent** (10) **Patent No.:** **US D870,646 S**
Arnold (45) **Date of Patent:** **** Dec. 24, 2019**

(54) **VEHICLE VISOR COVER**
(71) Applicant: **Duane Arnold**, Texas City, TX (US)
(72) Inventor: **Duane Arnold**, Texas City, TX (US)
(**) Term: **15 Years**

D367,029 S * 2/1996 Spaulding D12/191
D369,777 S * 5/1996 Singh D12/417
D371,532 S * 7/1996 Raevsky D12/191
D375,714 S * 11/1996 Laidley D12/191
D381,947 S * 8/1997 Bergh 206/308.3
D388,723 S * 1/1998 Williams, Jr. D10/109.1
(Continued)

(21) Appl. No.: **29/666,046**
(22) Filed: **Oct. 9, 2018**
(51) **LOC (12) Cl.** **12-16**
(52) **U.S. Cl.**
USPC **D12/417**
(58) **Field of Classification Search**
USPC D12/106, 181, 183-185, 191, 311, 312,
D12/417; 160/370.21-370.22;
296/97.1-97.8, 180.1
CPC B60J 3/0208
See application file for complete search history.

OTHER PUBLICATIONS

Highland 1933300 Sunglass Visor Organizer, Black, Amazon.com, Date First Available: Jan. 1, 2006, [online], [site visited Oct. 11, 2019]. <URL: https://www.amazon.com/Highland-1933300-Sunglass-VisorOrganizer/dp/B0027QWNI2/ref=asc_df_B0027QWNI2/?tag=hyprod-20&linkCode=df0&hvadid=312153141514&hvpos=2006>.*

(Continued)

Primary Examiner — T Chase Nelson
Assistant Examiner — Jonathan J. Han
(74) *Attorney, Agent, or Firm* — The Juhasz Law Firm

(56) **References Cited**

U.S. PATENT DOCUMENTS

2,517,337 A 8/1950 Nodle
2,707,072 A 9/1950 Sims
2,589,348 A 3/1952 Diefenbach
2,931,114 A 3/1957 Peterson
3,026,999 A * 3/1962 Constantino B60R 7/05
224/277
3,809,428 A 5/1974 Cohen
4,280,730 A * 7/1981 Turner B60J 3/0208
296/97.6
D297,227 S * 8/1988 Zick D12/191
4,781,409 A 11/1988 Harbison
4,944,971 A 7/1990 McLaughlin
D309,756 S 8/1990 Lothridge
D329,540 S * 9/1992 Kunes D12/417
D334,550 S * 4/1993 Wade, Jr. D12/191
D339,097 S * 9/1993 Nieskes D12/191
D339,098 S * 9/1993 Cooper D12/191
D343,157 S * 1/1994 Kurilla D12/191
D343,865 S * 2/1994 Pohl D12/191
5,445,427 A * 8/1995 Vandagriff B60J 3/0208
296/97.11
D362,159 S * 9/1995 Singh D12/417

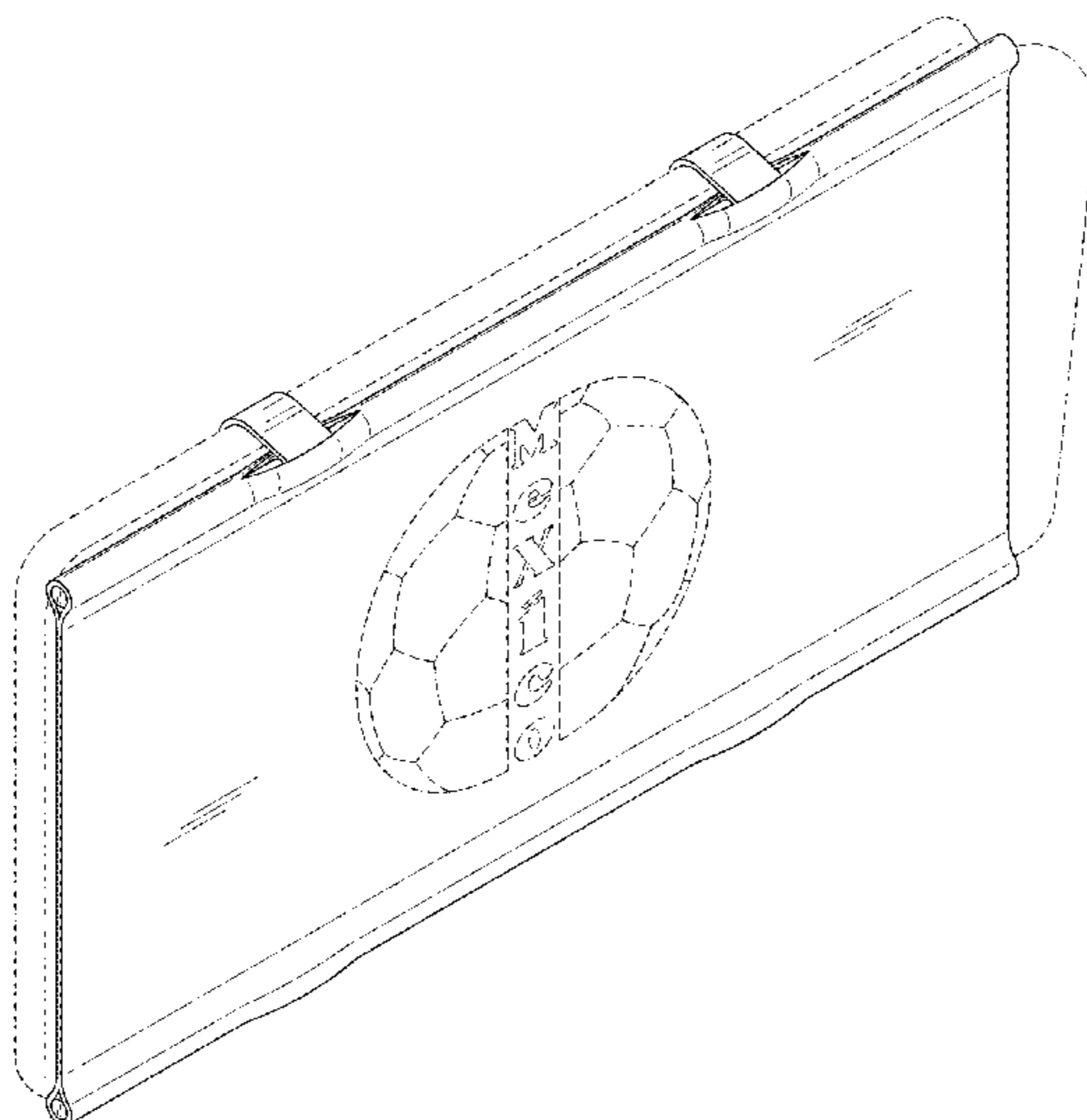
(57) **CLAIM**

The ornamental design for a vehicle visor cover, as shown and described.

DESCRIPTION

FIG. 1 is a left front perspective view showing our new design for a vehicle visor cover;
FIG. 2 is a front elevational view thereof;
FIG. 3 is a rear elevational view thereof;
FIG. 4 is a top plan view thereof;
FIG. 5 is a bottom plan view thereof;
FIG. 6 is a left side elevational view thereof; and,
FIG. 7 is a right side elevational view thereof.
The broken lines are included for the purpose of illustrating environment and portions of the vehicle visor cover that form no part of the claimed design.

1 Claim, 5 Drawing Sheets



(56)

References Cited

U.S. PATENT DOCUMENTS

5,772,272 A 6/1998 Faddis
 D398,893 S * 9/1998 Lyons D12/191
 5,810,419 A * 9/1998 Lam B60J 3/0204
 296/97.1
 D411,580 S * 6/1999 Adams D10/109.1
 D424,491 S * 5/2000 Trent D12/191
 6,059,347 A * 5/2000 Davalos B60J 3/0208
 296/97.1
 D432,490 S 10/2000 Golenz
 D434,366 S * 11/2000 Eskandry D12/417
 D436,916 S 1/2001 Eskandry
 D446,765 S * 8/2001 Bergh D12/417
 6,276,081 B1 8/2001 Shedd
 6,659,529 B2 12/2003 Palmer et al.
 D501,892 S * 2/2005 Perry D20/10
 7,044,531 B2 5/2006 Schaad
 D522,943 S * 6/2006 Opoku-Agyemang D12/191
 D524,206 S * 7/2006 Hohney D12/191
 7,216,918 B1 5/2007 Runfola
 D572,644 S * 7/2008 Trippon D12/191
 7,686,373 B1 3/2010 McCabe et al.
 7,818,907 B1 10/2010 Warrington, Jr.
 D658,569 S * 5/2012 Horton D12/191
 D691,079 S * 10/2013 Oswald D12/191

8,561,865 B2 10/2013 Mantis
 D789,855 S * 6/2017 Amante-Muniz D12/191
 9,707,828 B2 7/2017 Arnold
 D808,318 S * 1/2018 Amante-Muniz D12/191
 D826,812 S * 8/2018 Von Holzhausen D12/191
 2002/0074838 A1 6/2002 Whiting et al.
 2008/0315616 A1 * 12/2008 Wang B60J 3/0208
 296/97.6
 2016/0176268 A1 * 6/2016 Arnold B60J 3/0204
 296/97.1

OTHER PUBLICATIONS

Tactical MOLLE Vehicle Visor Panel 2.0, SkullVibe.com, [online], [site visited Oct. 11, 2019]. <URL: <https://skullvibe.com/products/tactical-molle-vehicle-visor-panel-v2>> (Year: 2019).*

Sunrise Car Sun Visor Covers, CarSunVisorCovers.com, [online], [site visited Oct. 11, 2019]. <URL: <https://www.carsunvisorcovers.com/page/about%20car%20sun%20visor%20covers>> (Year: 2019).*

Auto Visor Cover or Organizer, Leopard pockets on Beige background, 13x7, pockets, Etsy.com, [online], [site visited Oct. 11, 2019]. <URL: https://www.etsy.com/listing/242240025/auto-visor-cover-or-organizer-leopard?ga_order=most_relevant&ga_search_type=all&ga_view_type=gallery&ga_search_query> (Year: 2019).*

* cited by examiner

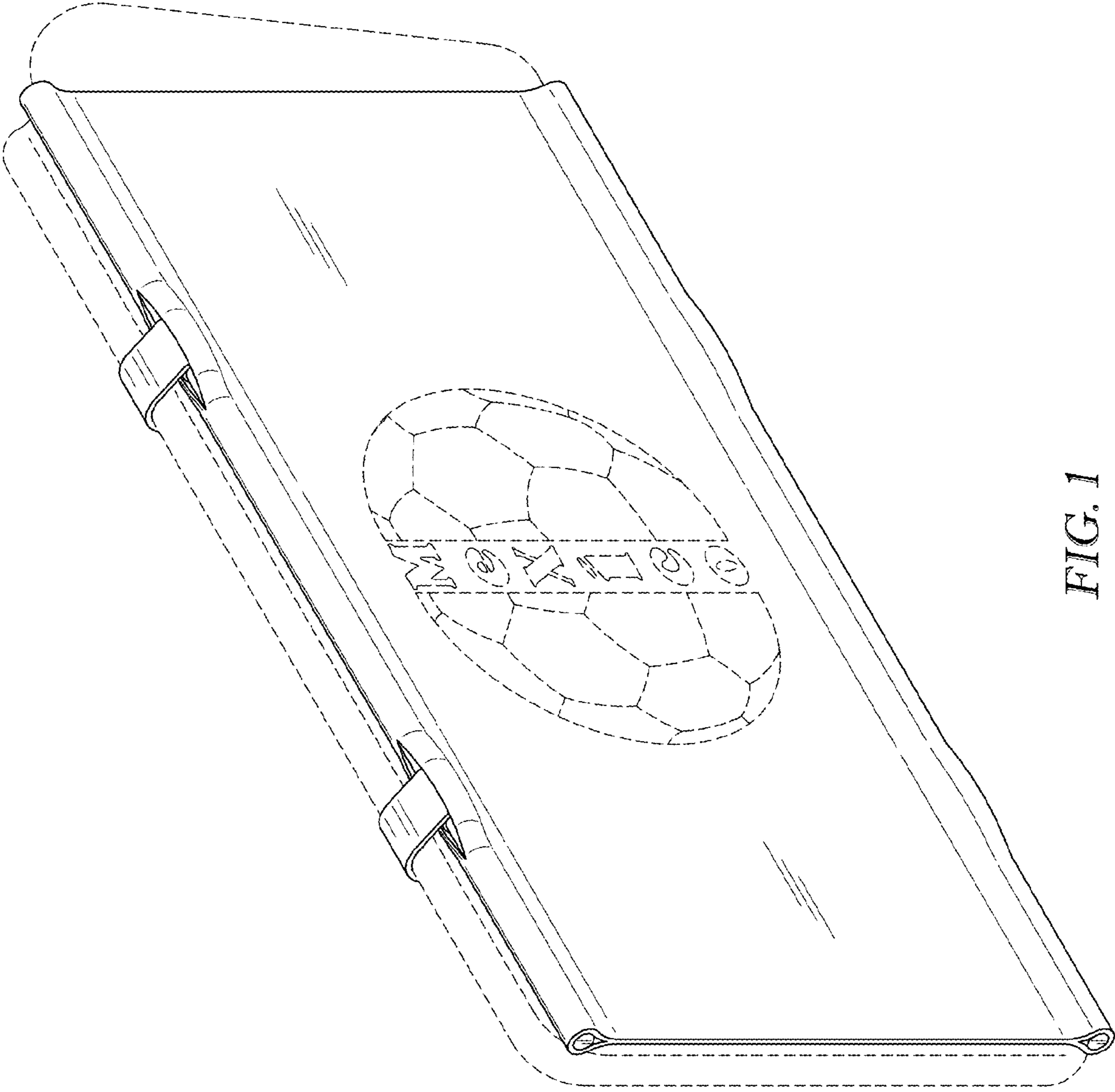


FIG. 1

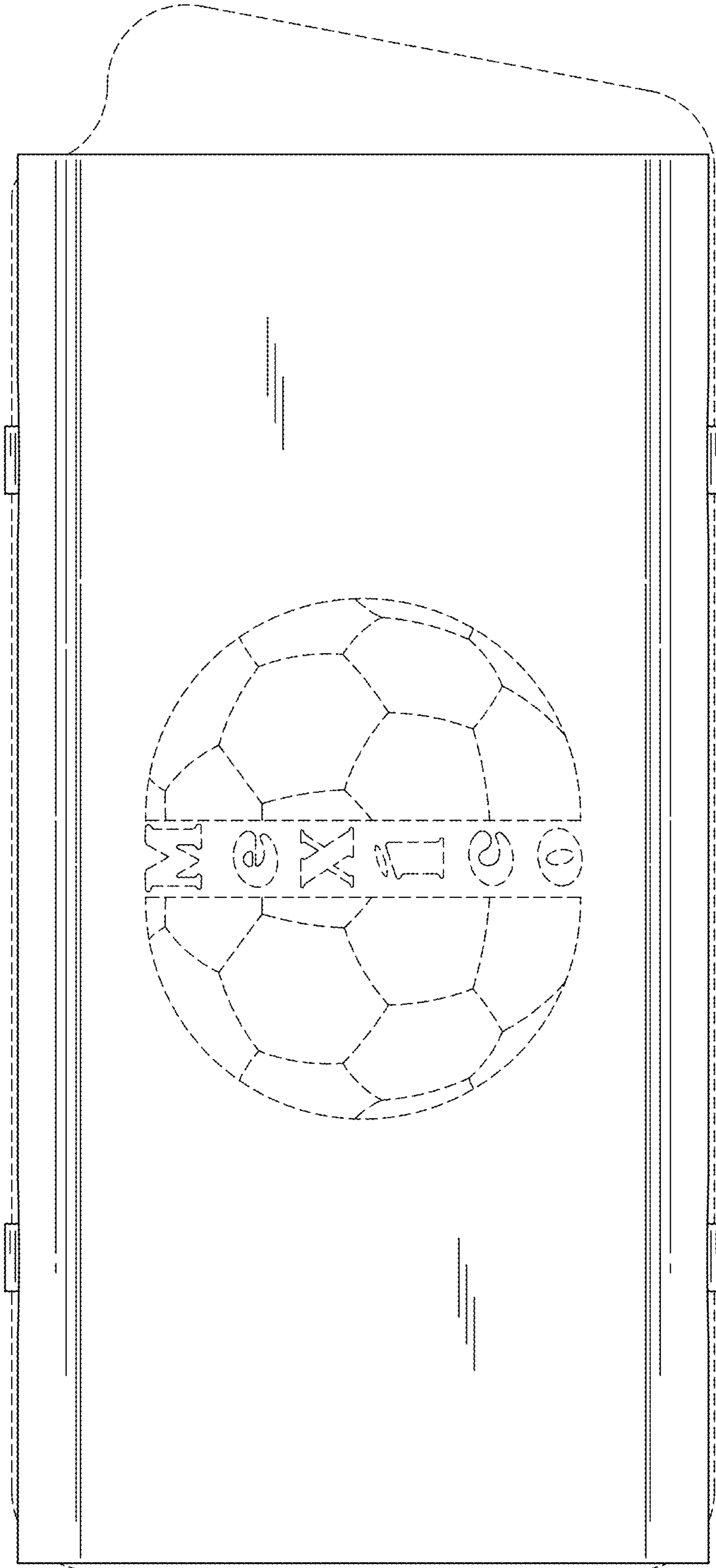


FIG. 2

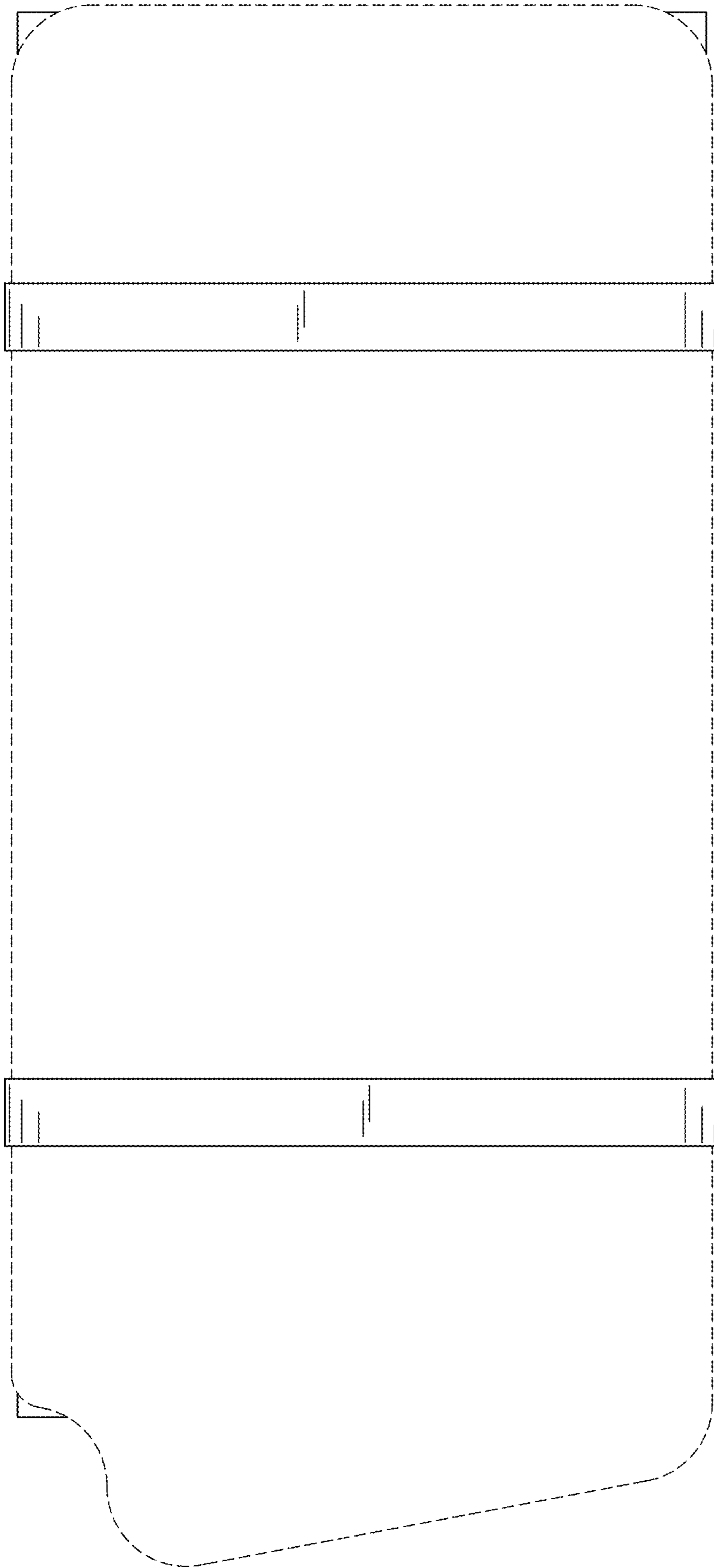


FIG. 3

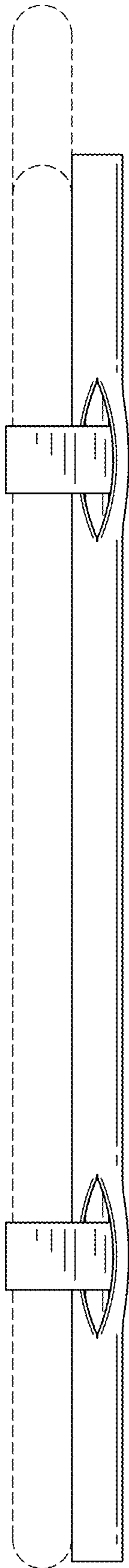


FIG. 4

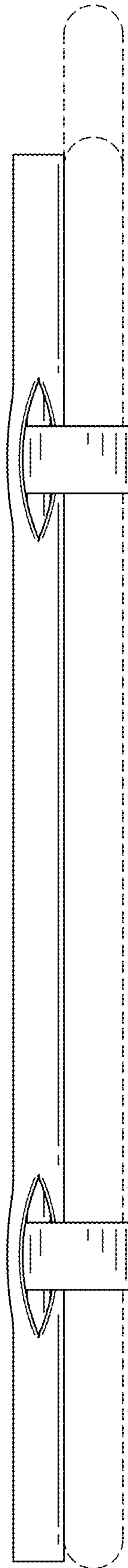


FIG. 5

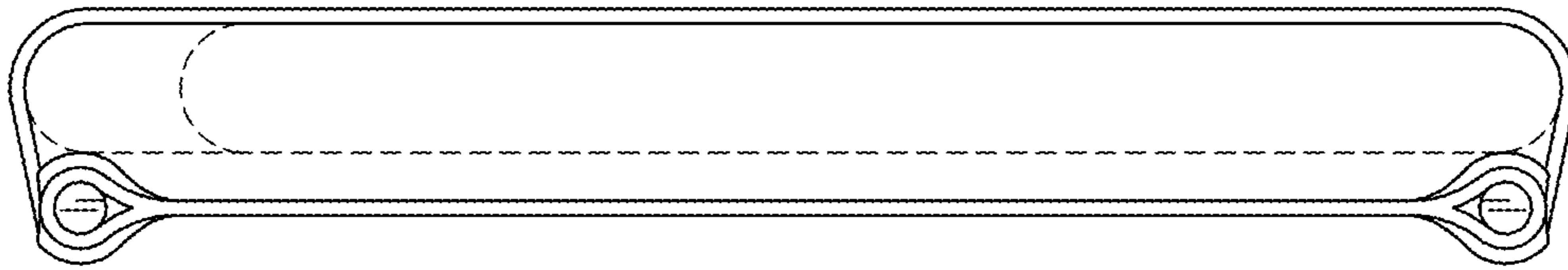


FIG. 7

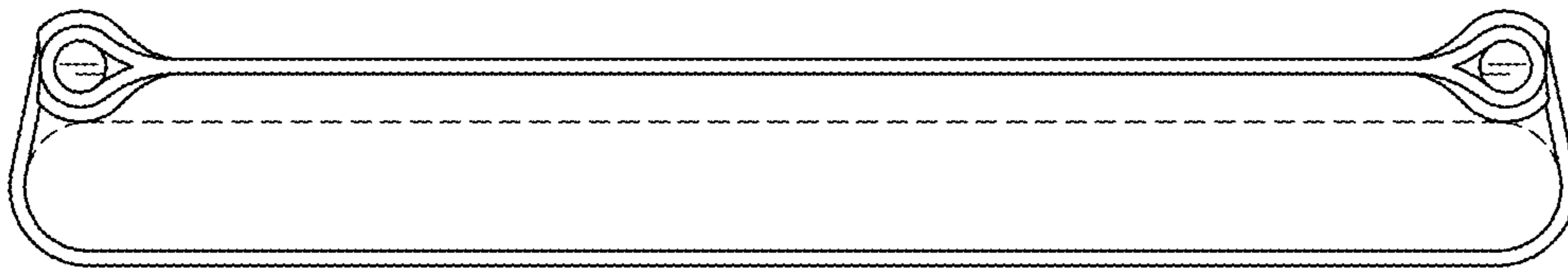


FIG. 6