



US00D870645S

(12) **United States Design Patent** (10) **Patent No.:** **US D870,645 S**
Yang (45) **Date of Patent:** **** Dec. 24, 2019**

(54) **VEHICLE BACKSEAT MIRROR**
(71) Applicant: **Chunmei Yang**, Shenzhen (CN)
(72) Inventor: **Chunmei Yang**, Shenzhen (CN)

D810,656 S * 2/2018 Baker D12/416
D819,545 S * 6/2018 O'Connor D12/416
D848,931 S 5/2019 Yang
2004/0190167 A1* 9/2004 Berger B60R 1/008
359/879

(**) Term: **15 Years**

OTHER PUBLICATIONS

(21) Appl. No.: **29/703,681**

Adjustable Backseat Mirror, <https://roadtoman.com/products/adjustable-backseat-mirror>, Aug, 29, 2019.

(22) Filed: **Aug. 29, 2019**

* cited by examiner

(51) **LOC (12) Cl.** **12-16**

Primary Examiner — Katrina A Betton

(52) **U.S. Cl.**
USPC **D12/416**

(74) *Attorney, Agent, or Firm* — Wayne V. Harper

(58) **Field of Classification Search**
USPC D12/415–419, 423; D6/513, 514, 611,
D6/553, 556, 559; D7/601–602,
D7/605–607; D3/216, 217, 319
CPC B65D 33/00; B64D 11/0636; B60N 3/004
See application file for complete search history.

(57) **CLAIM**

I claim the ornamental design for a vehicle backseat mirror, as shown and described.

DESCRIPTION

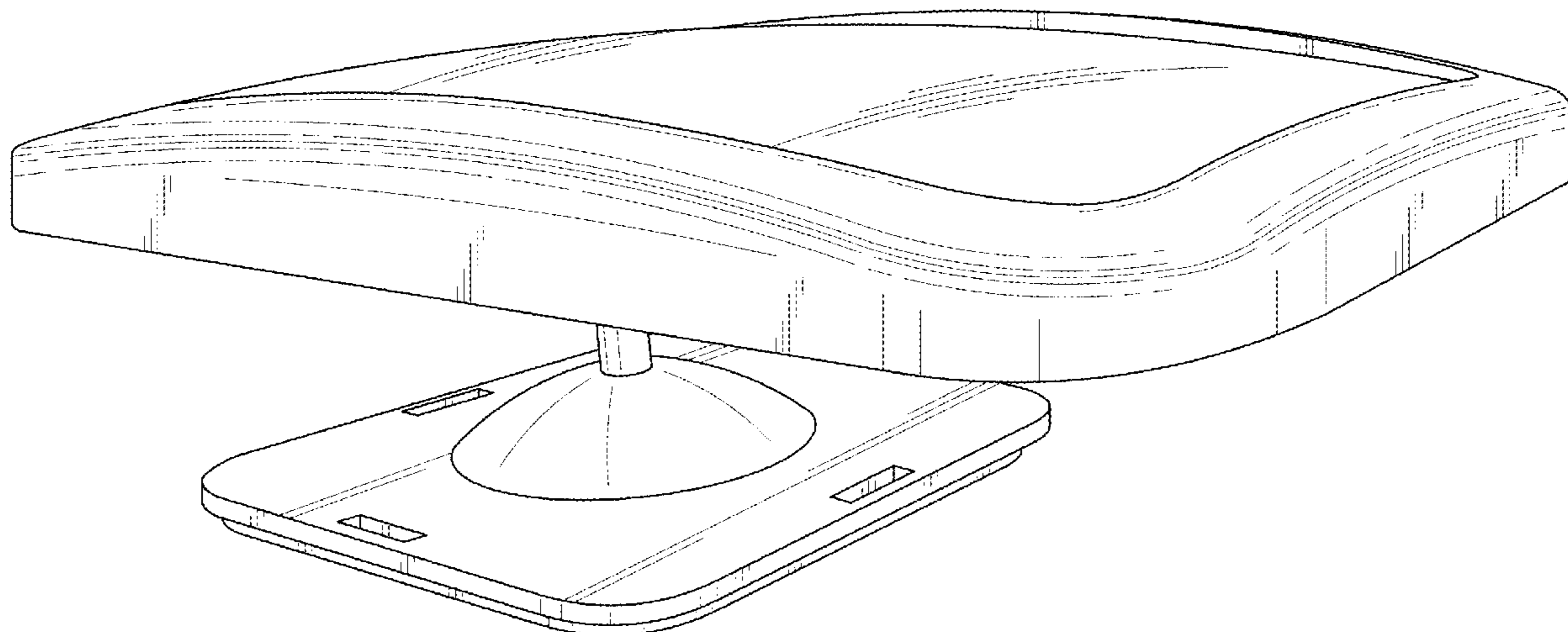
(56) **References Cited**

U.S. PATENT DOCUMENTS

6,354,708 B1 * 3/2002 Monahan B60R 1/008
359/871
6,585,384 B2 * 7/2003 Nielsen B60R 1/008
359/838
D506,074 S * 6/2005 Chen D6/300
7,097,314 B1 * 8/2006 Darling B60R 1/008
359/872
D538,220 S * 3/2007 Eskandry D12/416
7,862,189 B1 * 1/2011 Freese G02B 7/1822
248/479
D734,242 S * 7/2015 Presman D12/416
9,089,781 B1 * 7/2015 Bush A63G 33/00
D801,910 S * 11/2017 Salisbury D12/416

FIG. 1 is a Perspective view of a vehicle backseat mirror showing my new design;
FIG. 2 is a front view of the vehicle backseat mirror as shown in FIG. 1;
FIG. 3 is a Back view of the vehicle backseat mirror as shown in FIG. 1;
FIG. 4 is a Right-side view of the vehicle backseat mirror as shown in FIG. 1;
FIG. 5 is a Left-side view of the vehicle backseat mirror as shown in FIG. 1;
FIG. 6 is a top view of the vehicle backseat mirror as shown in FIG. 1; and,
FIG. 7 is a bottom view of the vehicle backseat mirror as shown in FIG. 1.

1 Claim, 7 Drawing Sheets



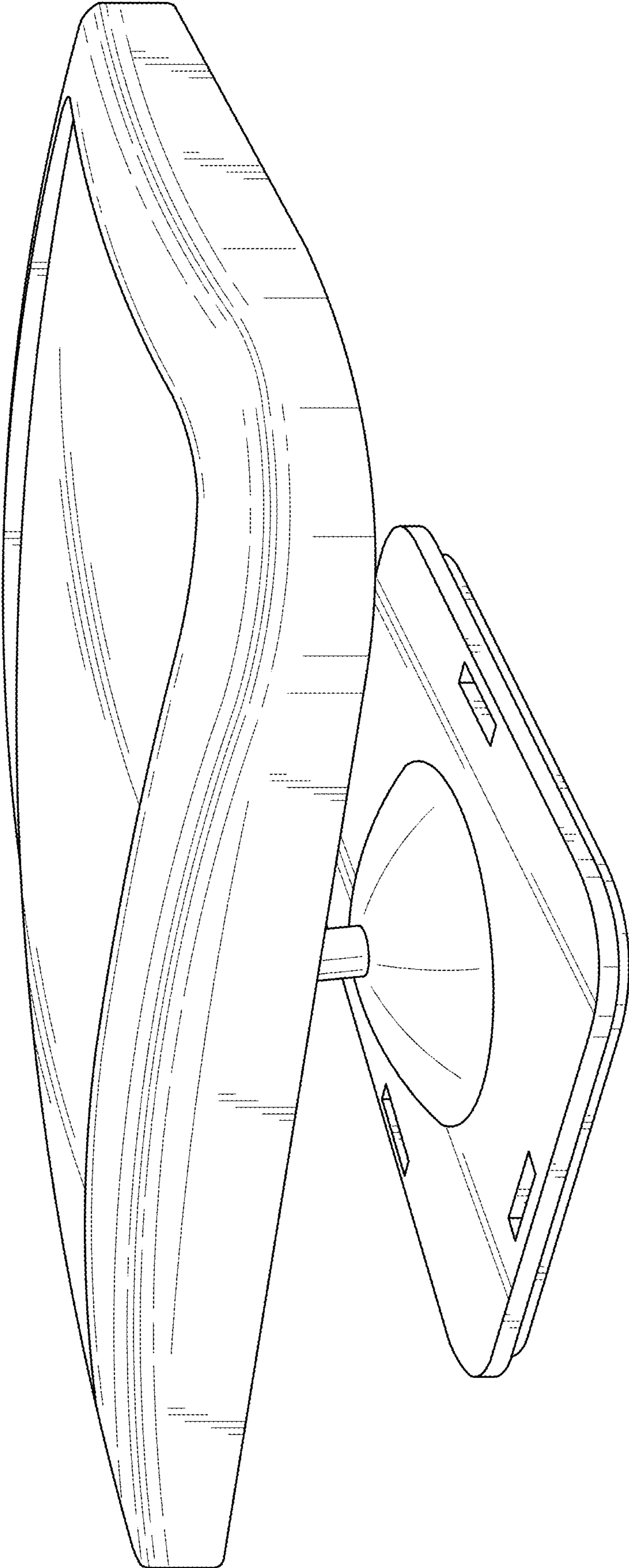


FIG. 1

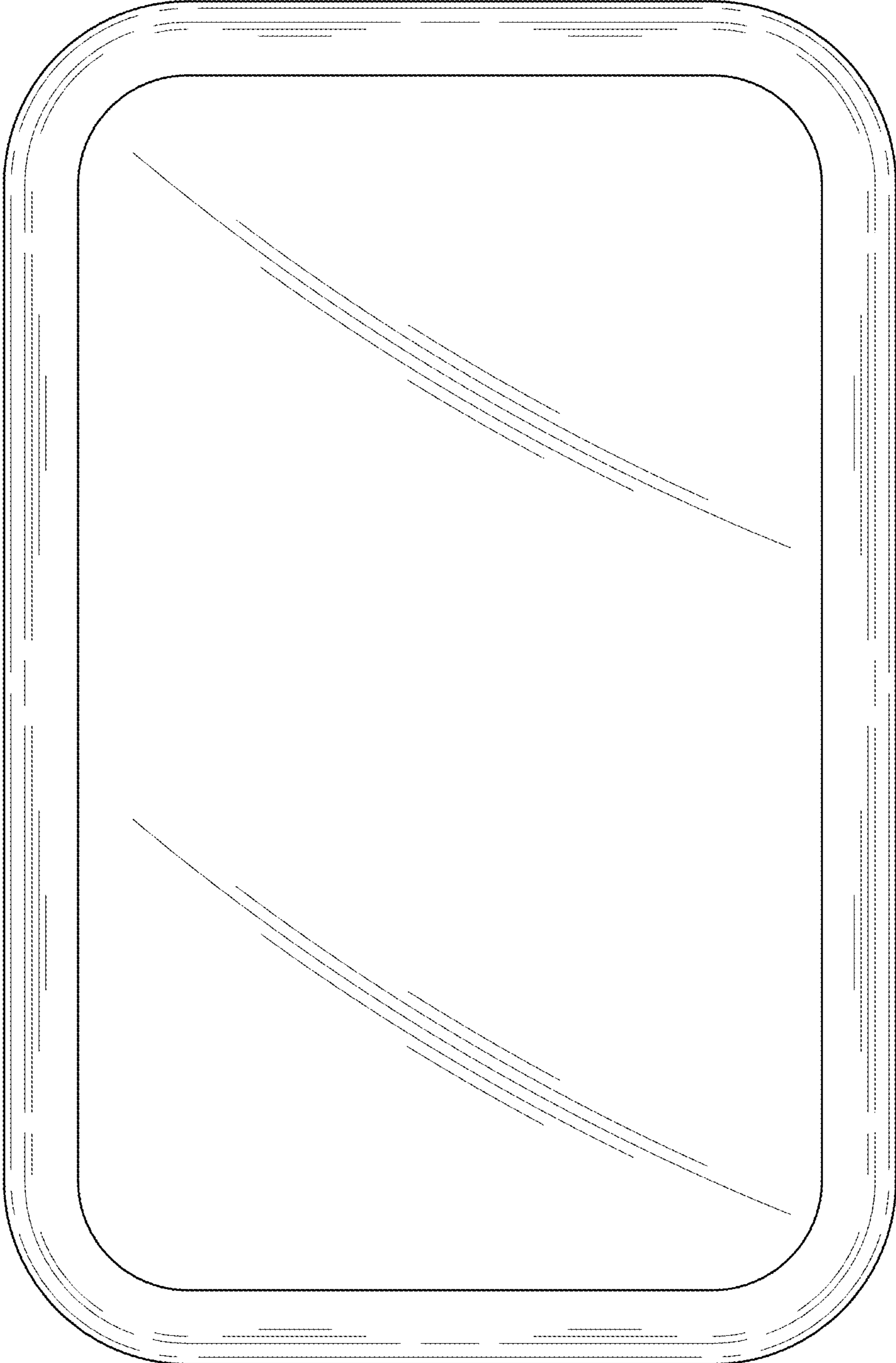


FIG. 2

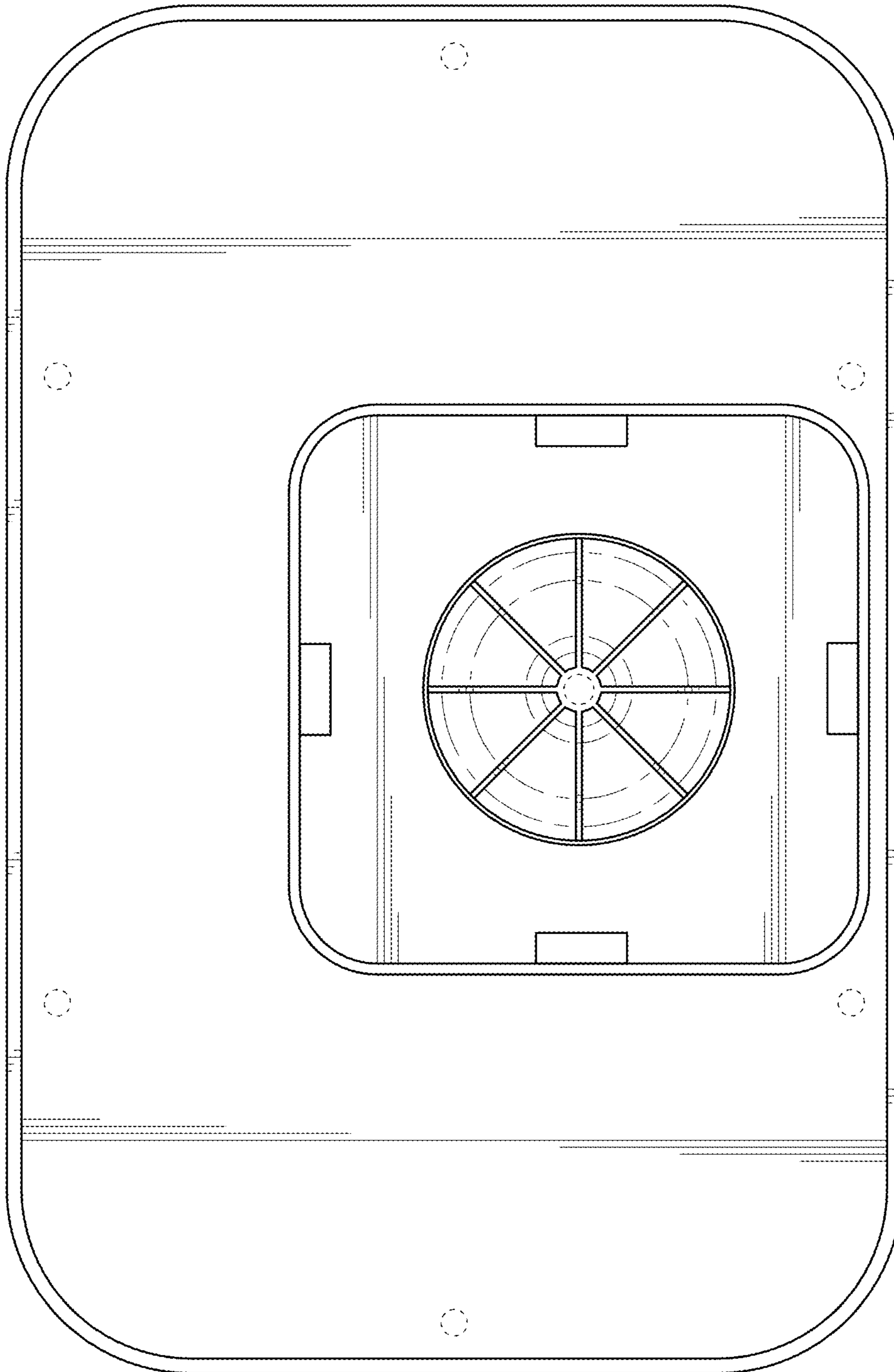


FIG. 3

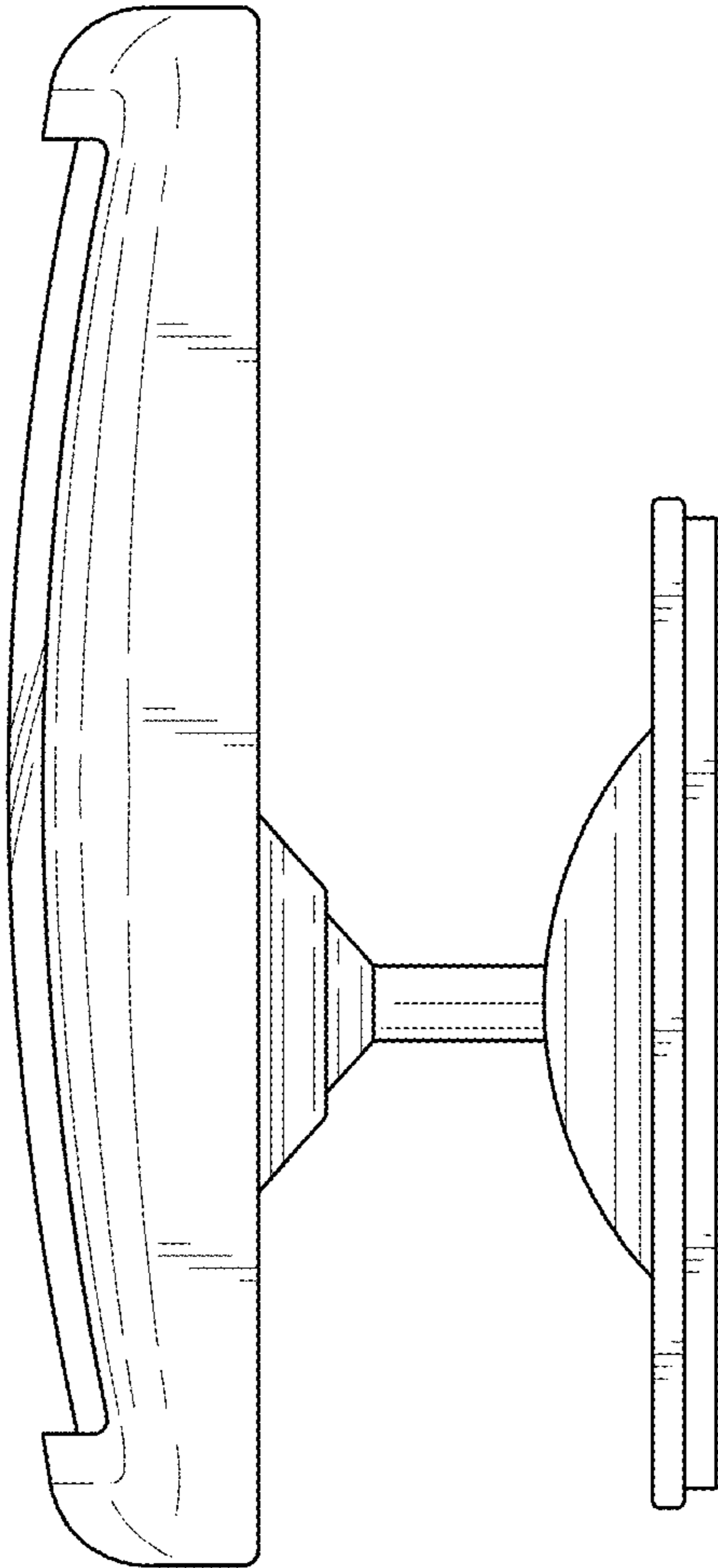


FIG. 4

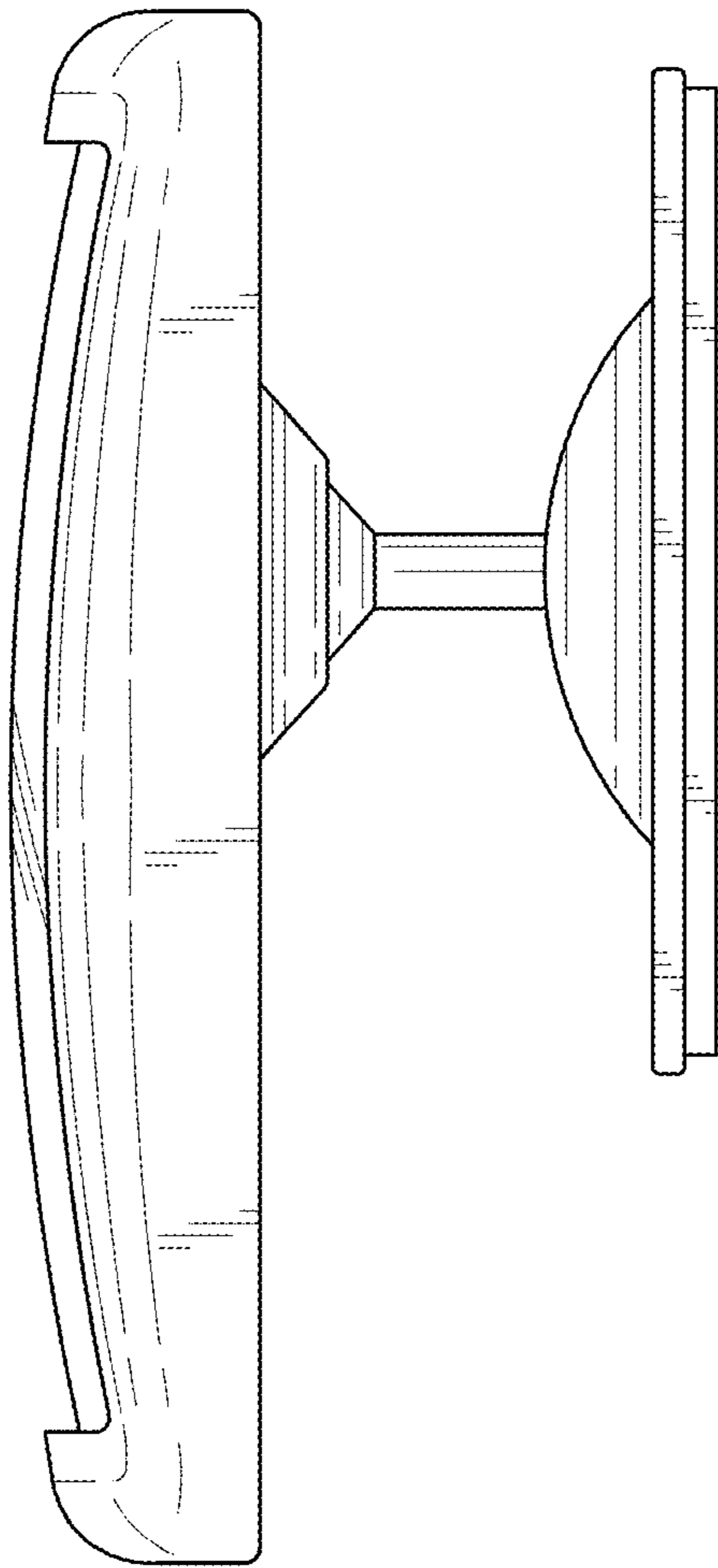


FIG. 5

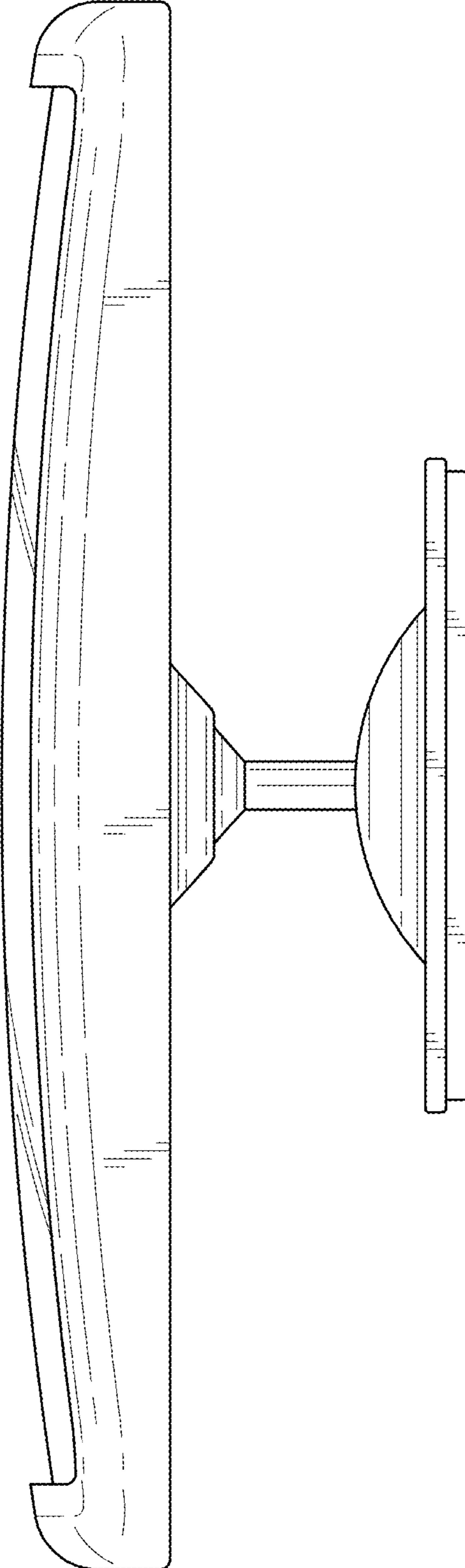


FIG. 6

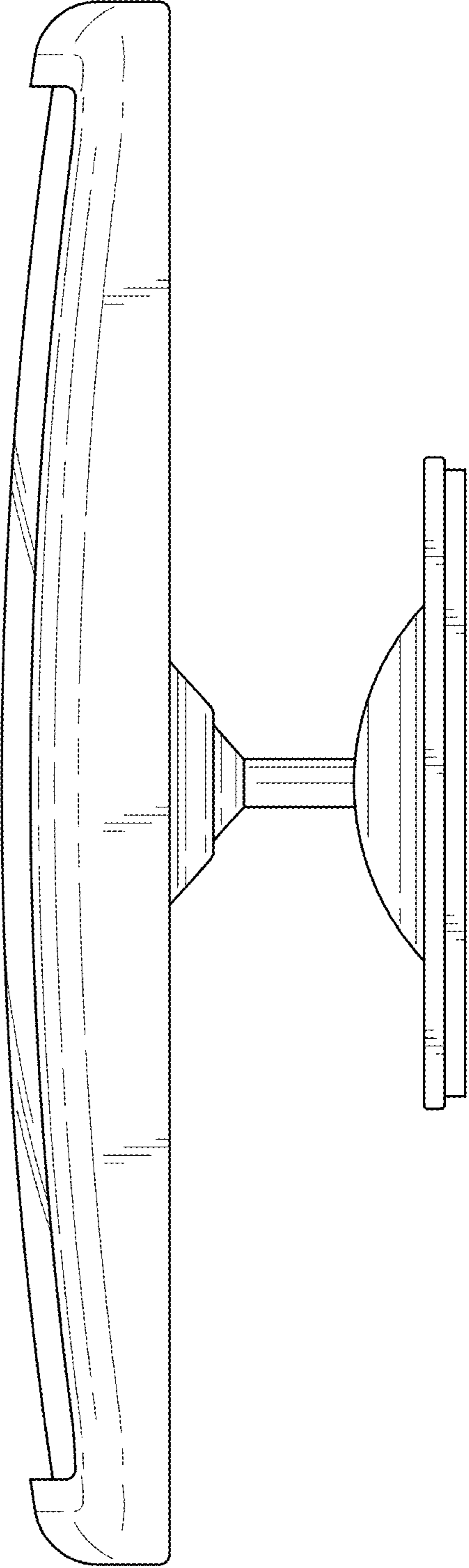


FIG. 7