



US00D870643S

(12) **United States Design Patent** (10) **Patent No.:** **US D870,643 S**
Adler et al. (45) **Date of Patent:** **** Dec. 24, 2019**

(54) **KAYAK SADDLE**
(71) Applicant: **Thule Sweden AB**, Hillerstorp (SE)
(72) Inventors: **Jan Adler**, Skillingaryd (SE); **Daniel Connors**, Southbury, CT (US)
(73) Assignee: **Thule Sweden AB**, Hillerstorp (SE)
(**) Term: **15 Years**
(21) Appl. No.: **29/678,330**
(22) Filed: **Jan. 28, 2019**

D637,949 S * 5/2011 Farber D12/412
D665,726 S * 8/2012 Eriksson D12/412
D684,105 S 6/2013 Foster
9,067,522 B2 * 6/2015 Laverack B60R 9/045
D739,990 S 9/2015 Sautter et al.
D778,224 S * 2/2017 Eriksson D12/412
D813,786 S * 3/2018 Adler D12/412
D816,012 S 4/2018 Linson
9,975,494 B2 5/2018 Connors
D840,324 S * 2/2019 Adler D12/412
2014/0143990 A1 * 5/2014 Sautter B60R 9/052
2017/0028929 A1 * 2/2017 Connors B60R 9/048
2017/0028930 A1 * 2/2017 Connors B60R 9/048

* cited by examiner

Related U.S. Application Data

(63) Continuation of application No. 29/583,997, filed on Nov. 10, 2016, now Pat. No. Des. 840,324.
(51) **LOC (12) Cl.** **12-16**
(52) **U.S. Cl.**
USPC **D12/412**
(58) **Field of Classification Search**
USPC D12/412, 406, 413, 414, 414.1; D6/552;
D3/304-306
CPC B60R 9/04; B60R 9/048; B60R 9/045
See application file for complete search history.

Primary Examiner — Katrina A Betton

(74) *Attorney, Agent, or Firm* — Sterne, Kessler, Goldstein & Fox P.L.L.C.

(57) **CLAIM**

The ornamental design for a kayak saddle, as shown and described.

DESCRIPTION

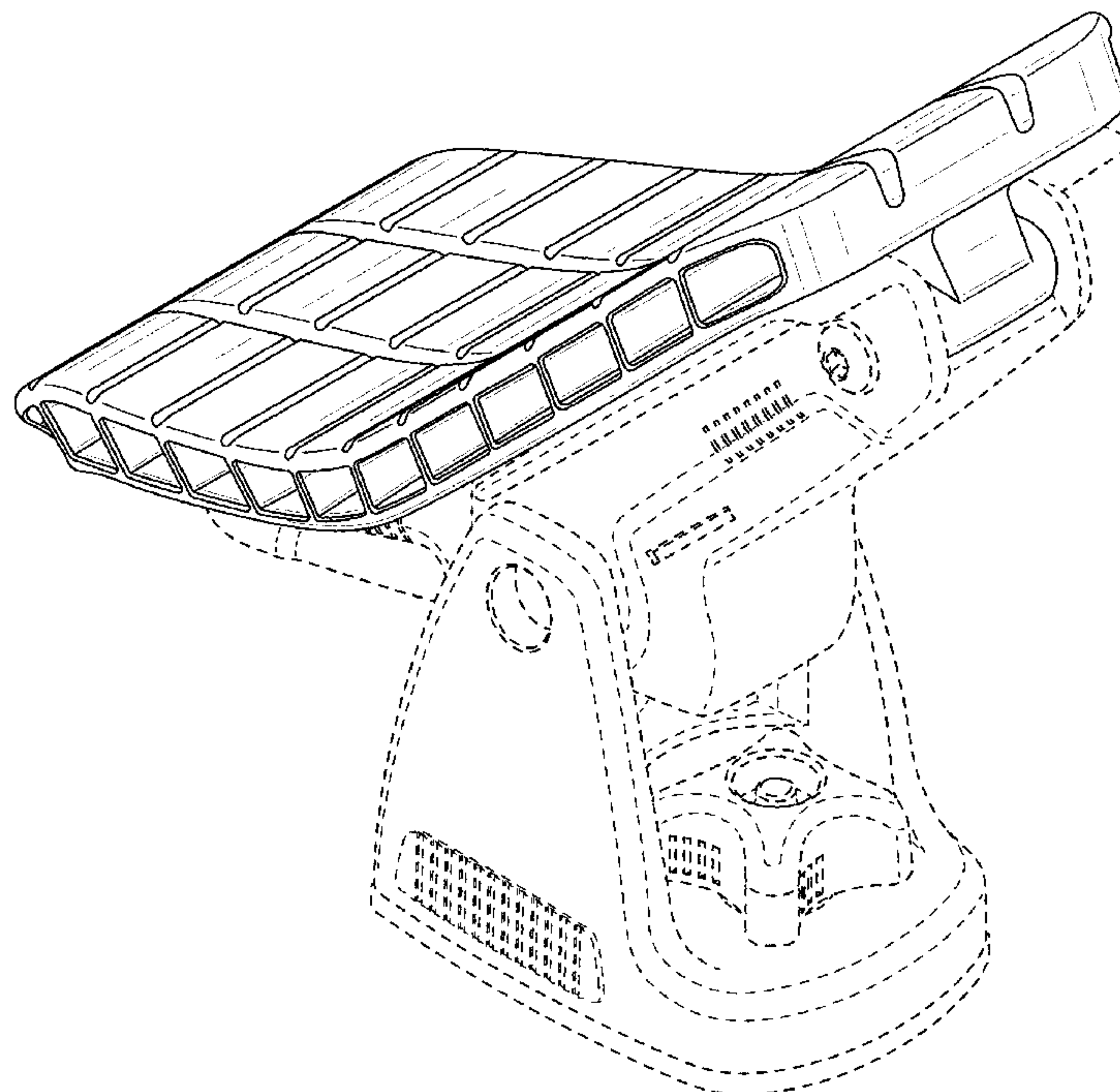
FIG. 1 is a top perspective view of a kayak saddle showing the claimed design;
FIG. 2 is a left side view thereof;
FIG. 3 is a right side view thereof;
FIG. 4 is a front view thereof;
FIG. 5 is a rear view thereof;
FIG. 6 is a top view thereof; and,
FIG. 7 is a bottom view thereof.
The broken lines in the figures show portions of the kayak saddle that form no part of the claimed design.

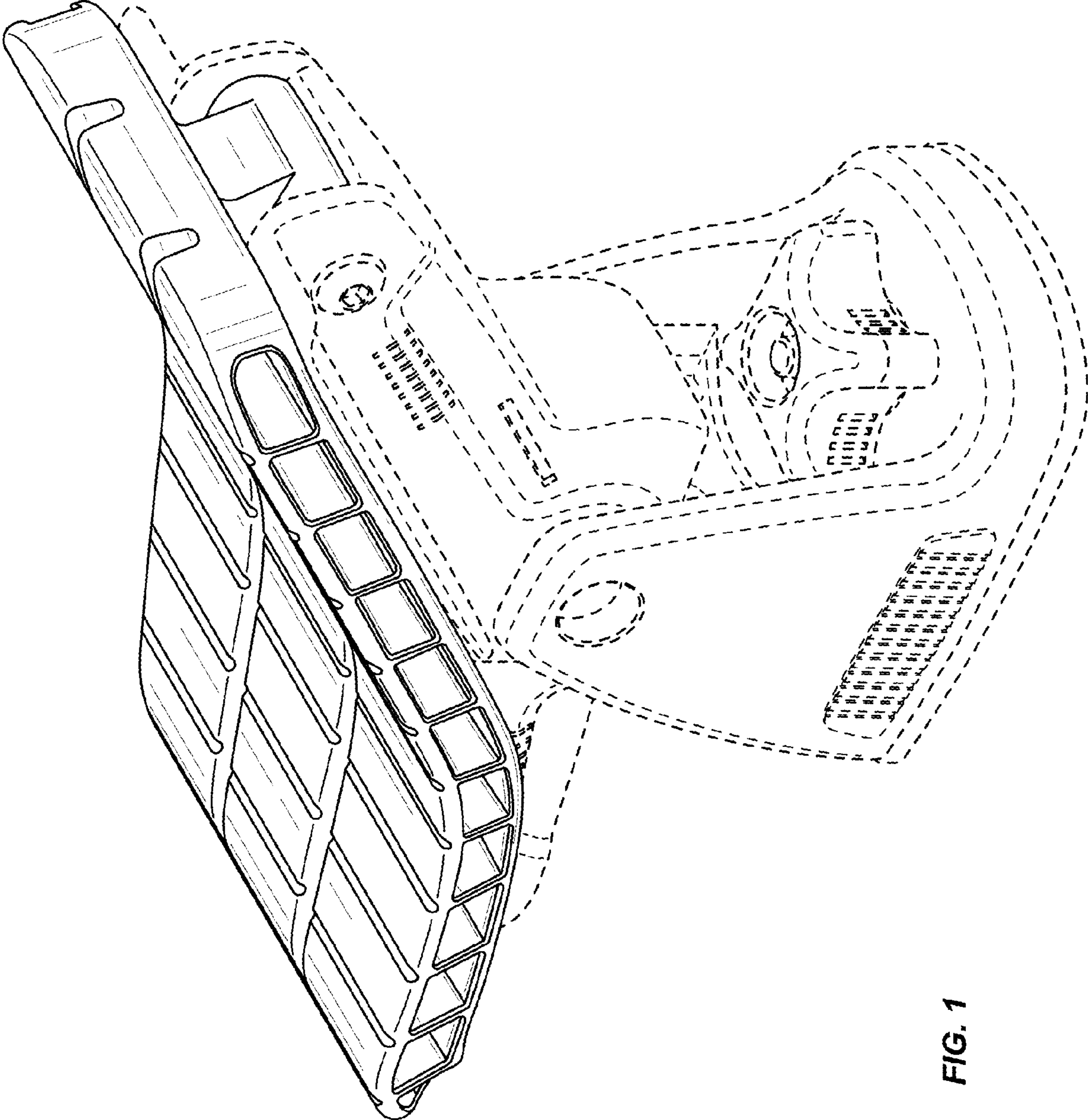
(56) **References Cited**

U.S. PATENT DOCUMENTS

5,516,017 A 5/1996 Arvidsson
5,951,231 A * 9/1999 Allen B60P 3/1066
193/35 A
7,131,561 B2 * 11/2006 Humes B60R 9/08
224/319
D613,030 S * 4/2010 Baulier D1/127
D623,120 S 9/2010 Farber

1 Claim, 7 Drawing Sheets





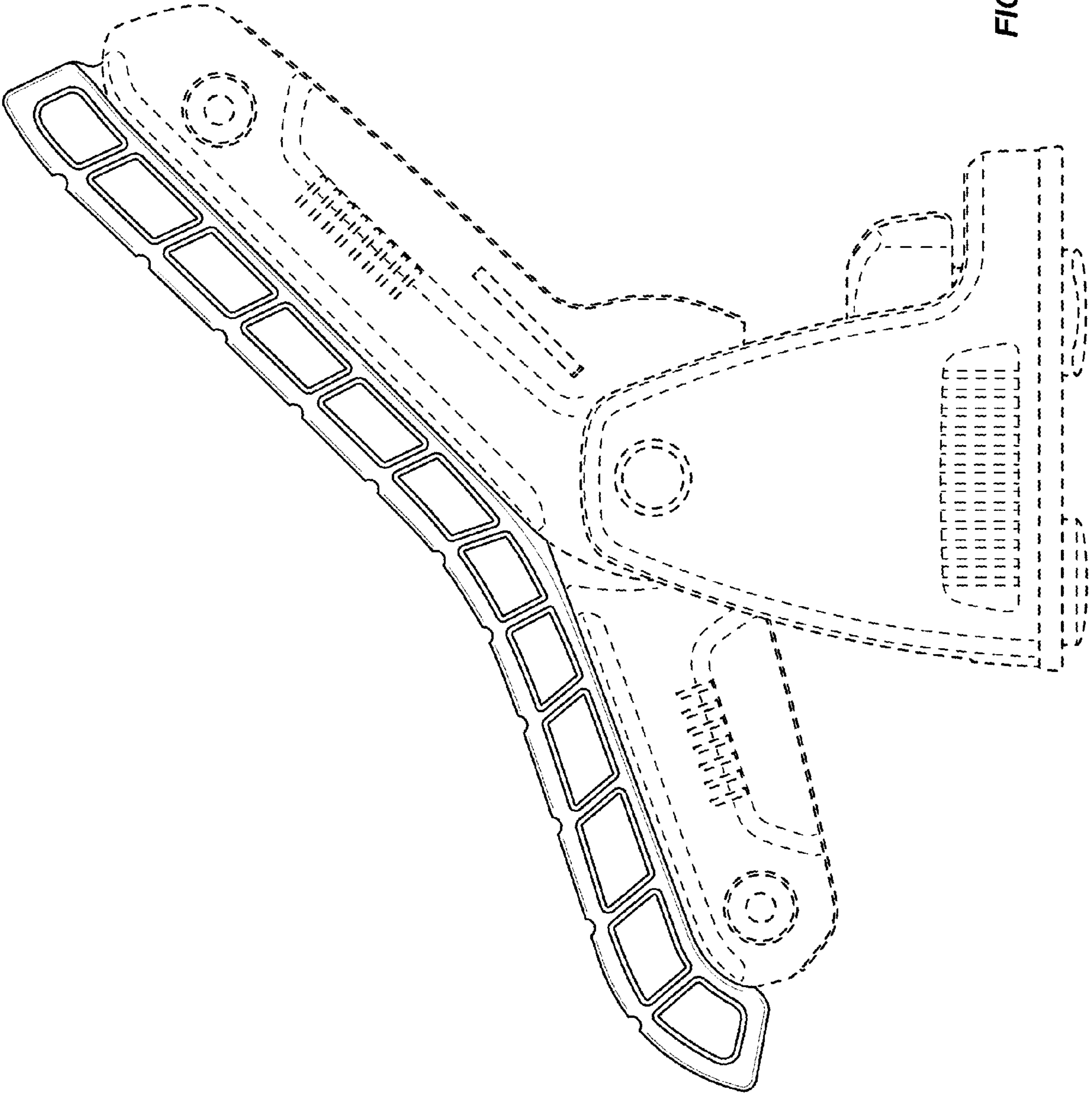


FIG. 2

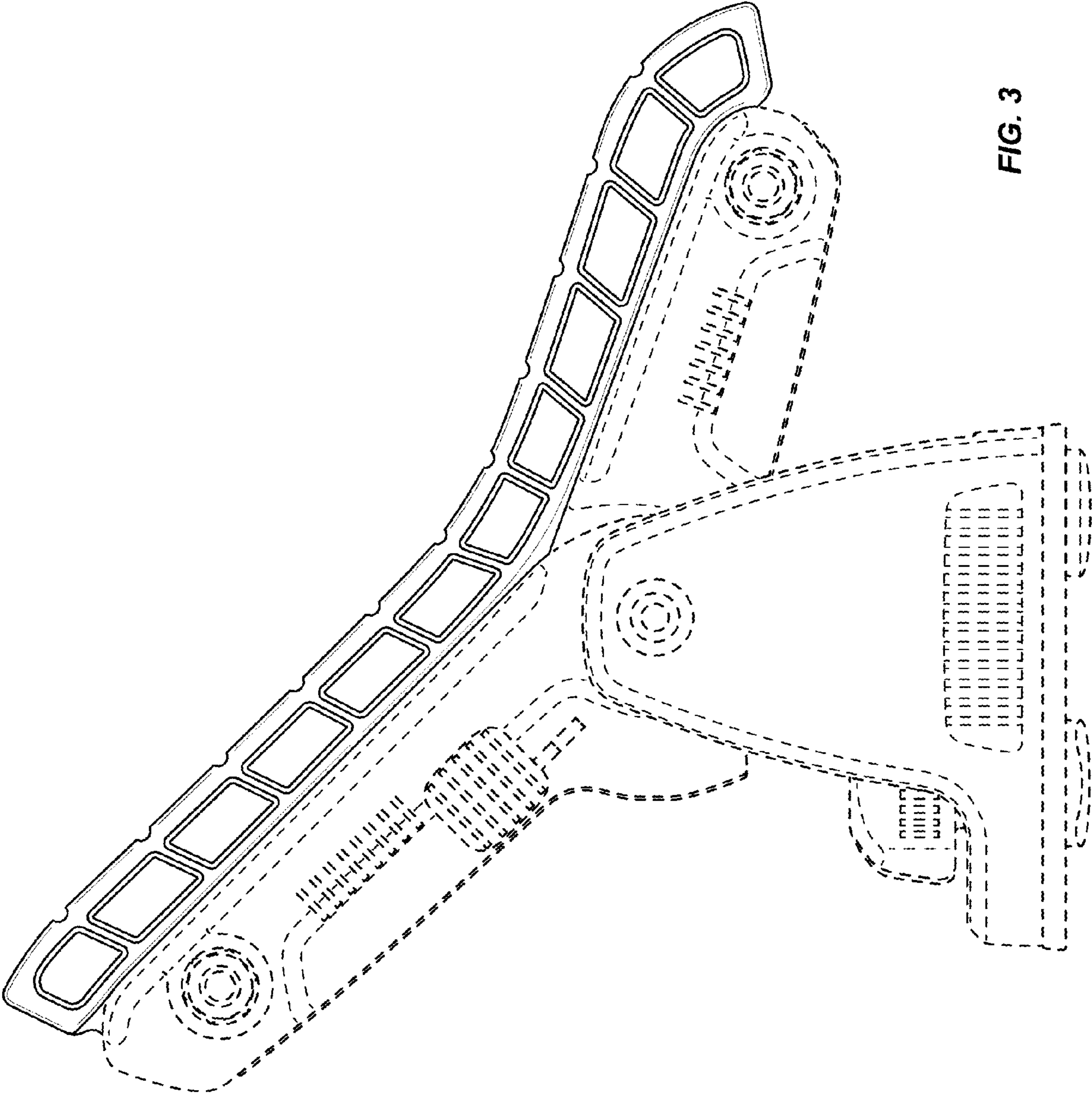


FIG. 3

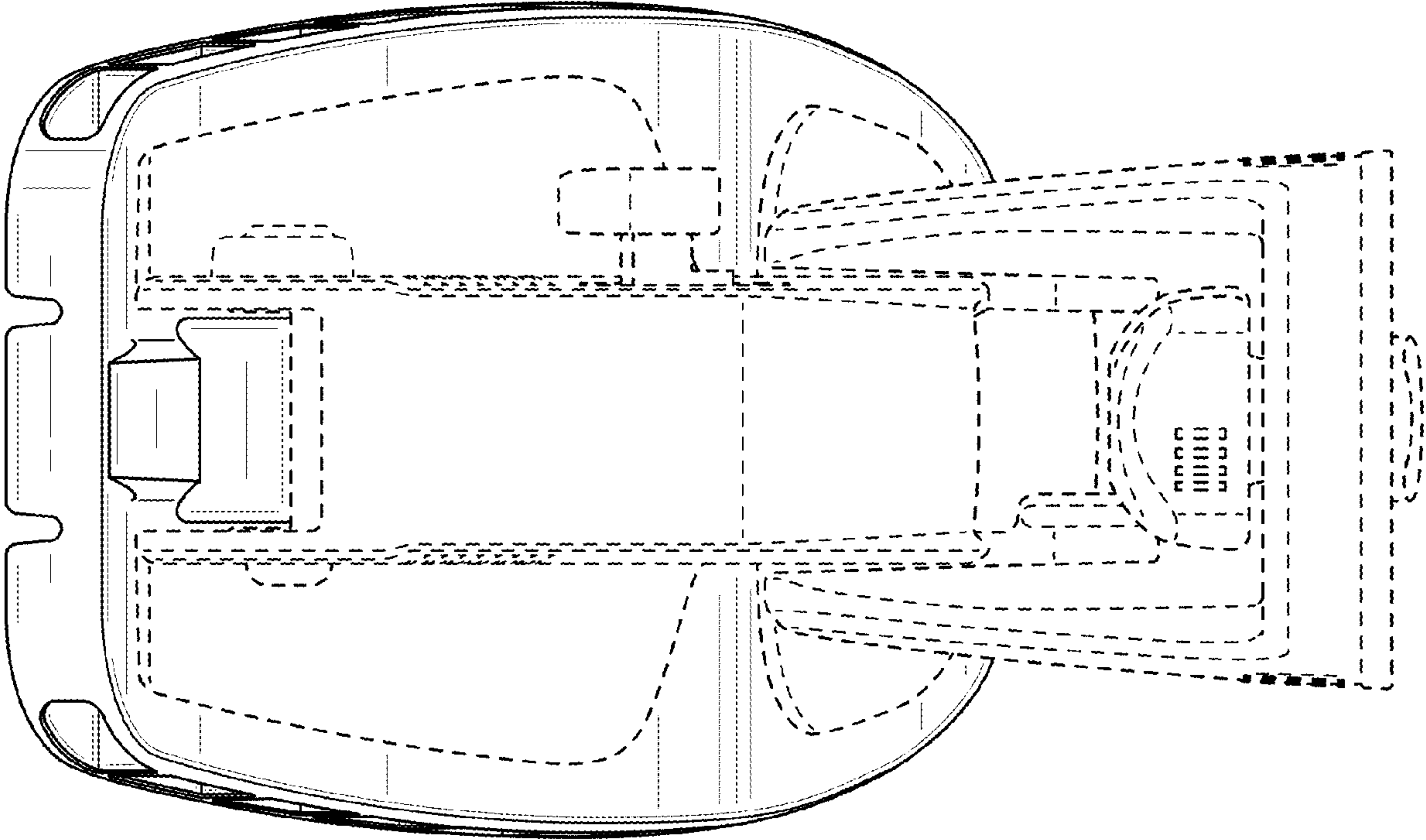


FIG. 4

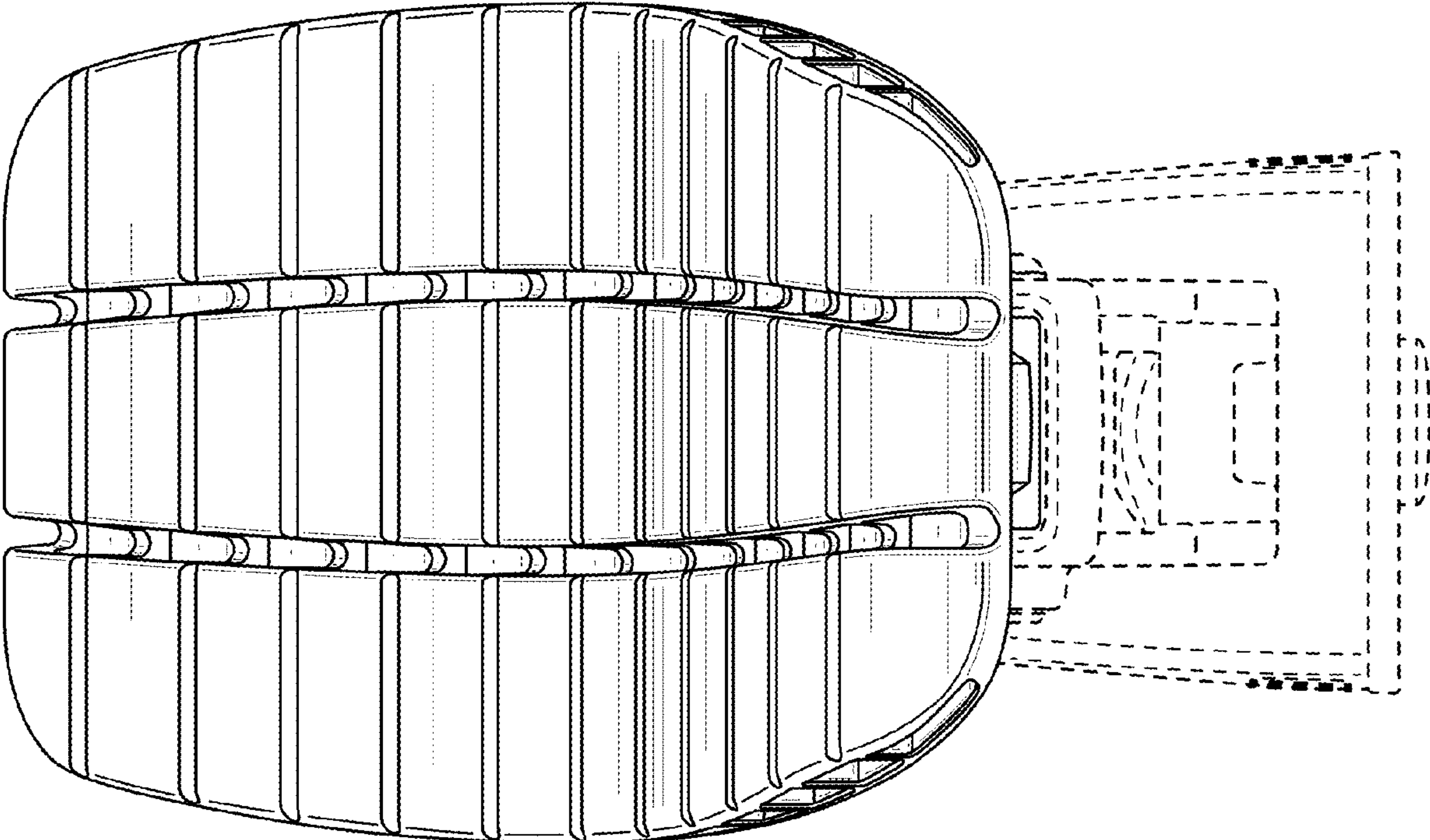


FIG. 5

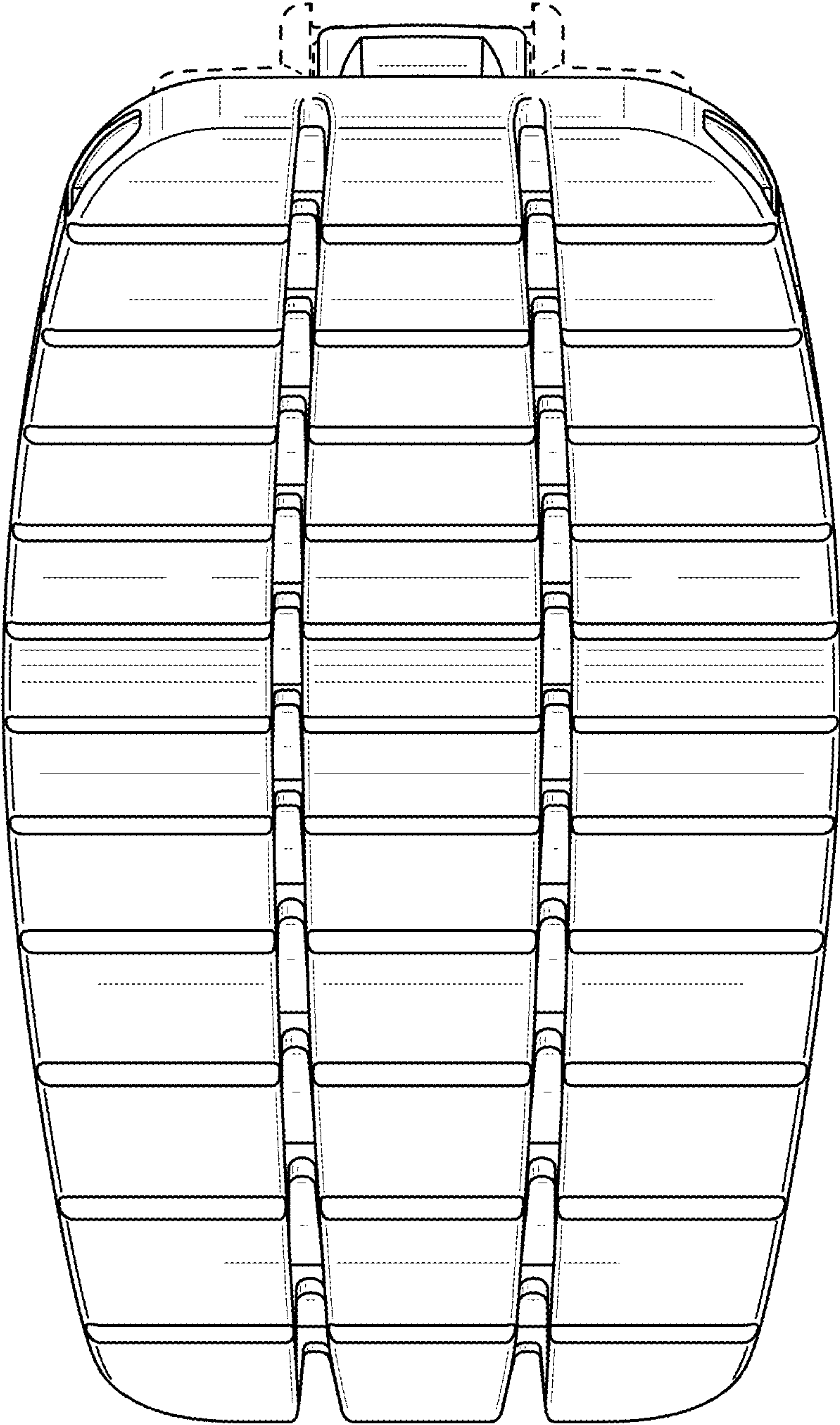


FIG. 6

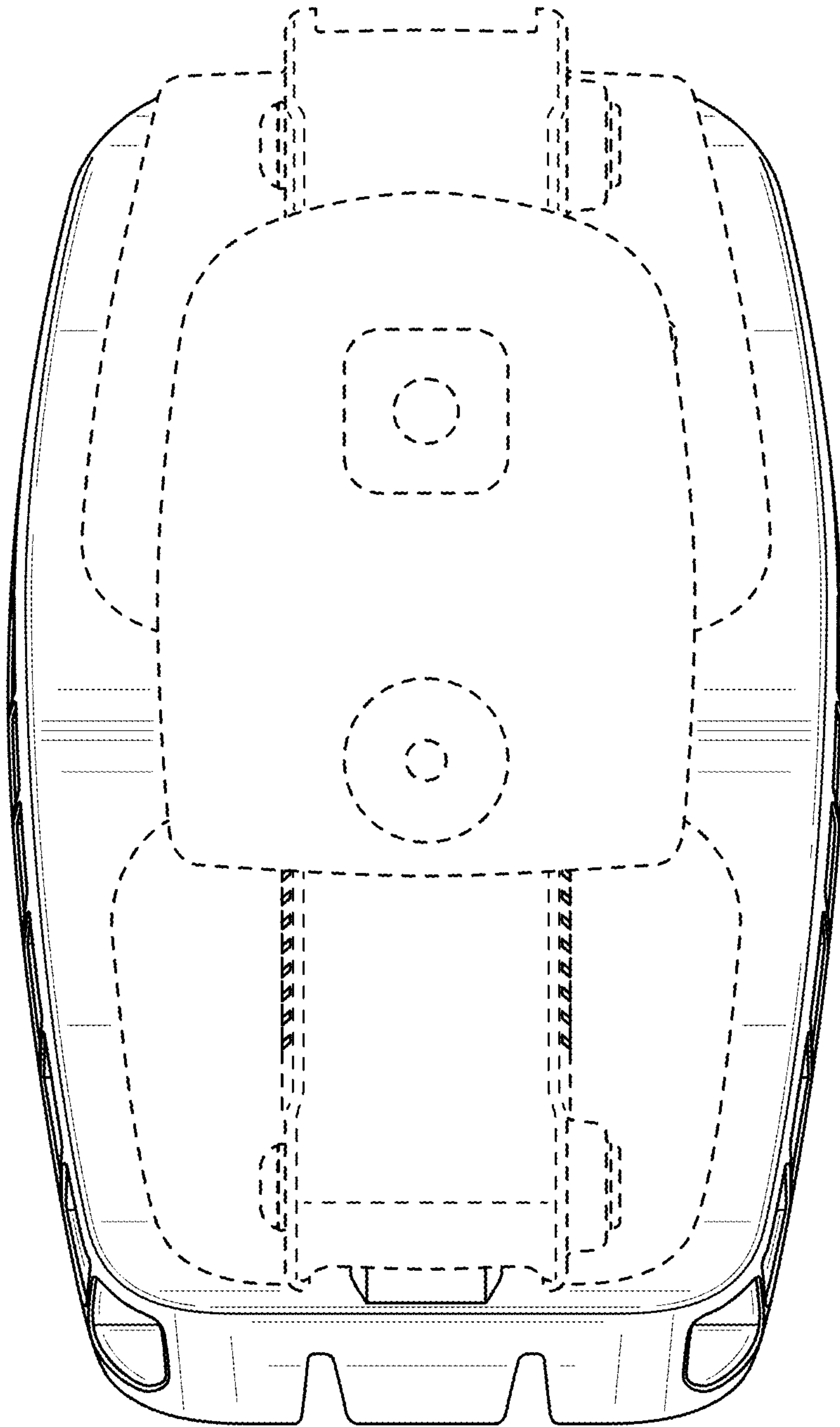


FIG. 7