



US00D870641S

(12) **United States Design Patent**
Shen et al.

(10) **Patent No.:** **US D870,641 S**

(45) **Date of Patent:** **** Dec. 24, 2019**

(54) **SUPPORT MEMBER FOR BICYCLE CARRIER**

(71) Applicant: **Shih-Chieh Shen**, Taichung (TW)

(72) Inventors: **Shih-Chieh Shen**, Taichung (TW);
Chun-Yi Hsieh, Taichung (TW)

(73) Assignee: **Shih-Chieh Shen**, Taichung (TW)

(**) Term: **15 Years**

(21) Appl. No.: **29/653,043**

(22) Filed: **Jun. 12, 2018**

(51) **LOC (12) Cl.** **12-16**

(52) **U.S. Cl.**
USPC **D12/408**

(58) **Field of Classification Search**
USPC D12/111, 406, 407, 408, 412, 414
CPC .. B60R 9/048; B60R 9/06; B60R 9/10; B60R
11/00

See application file for complete search history.

(56) **References Cited**

U.S. PATENT DOCUMENTS

D312,235 S *	11/1990	Dixon	D12/408
D315,888 S *	4/1991	Dixon	D12/408
D320,775 S *	10/1991	Johansson	D12/408
5,690,260 A *	11/1997	Aikins	B60R 9/06 224/504
5,775,555 A *	7/1998	Bloemer	B60R 9/048 224/502
6,062,451 A *	5/2000	Lassanske	B60R 9/06 224/502
6,516,986 B1 *	2/2003	Lassanske	B60R 9/048 224/502

7,469,808 B2 *	12/2008	Morales	B60R 9/10 224/537
8,220,681 B2 *	7/2012	Farber	B60R 9/06 224/532
9,156,413 B2 *	10/2015	Liu	B60R 9/10
9,663,040 B1 *	5/2017	Shen	B60R 9/10
10,189,420 B2 *	1/2019	Settelmayer	B60R 9/10
2018/0236946 A1 *	8/2018	Shen	B60R 9/058

* cited by examiner

Primary Examiner — Darlington Ly

(74) *Attorney, Agent, or Firm* — Muncy, Geissler, Olds & Lowe, P.C.

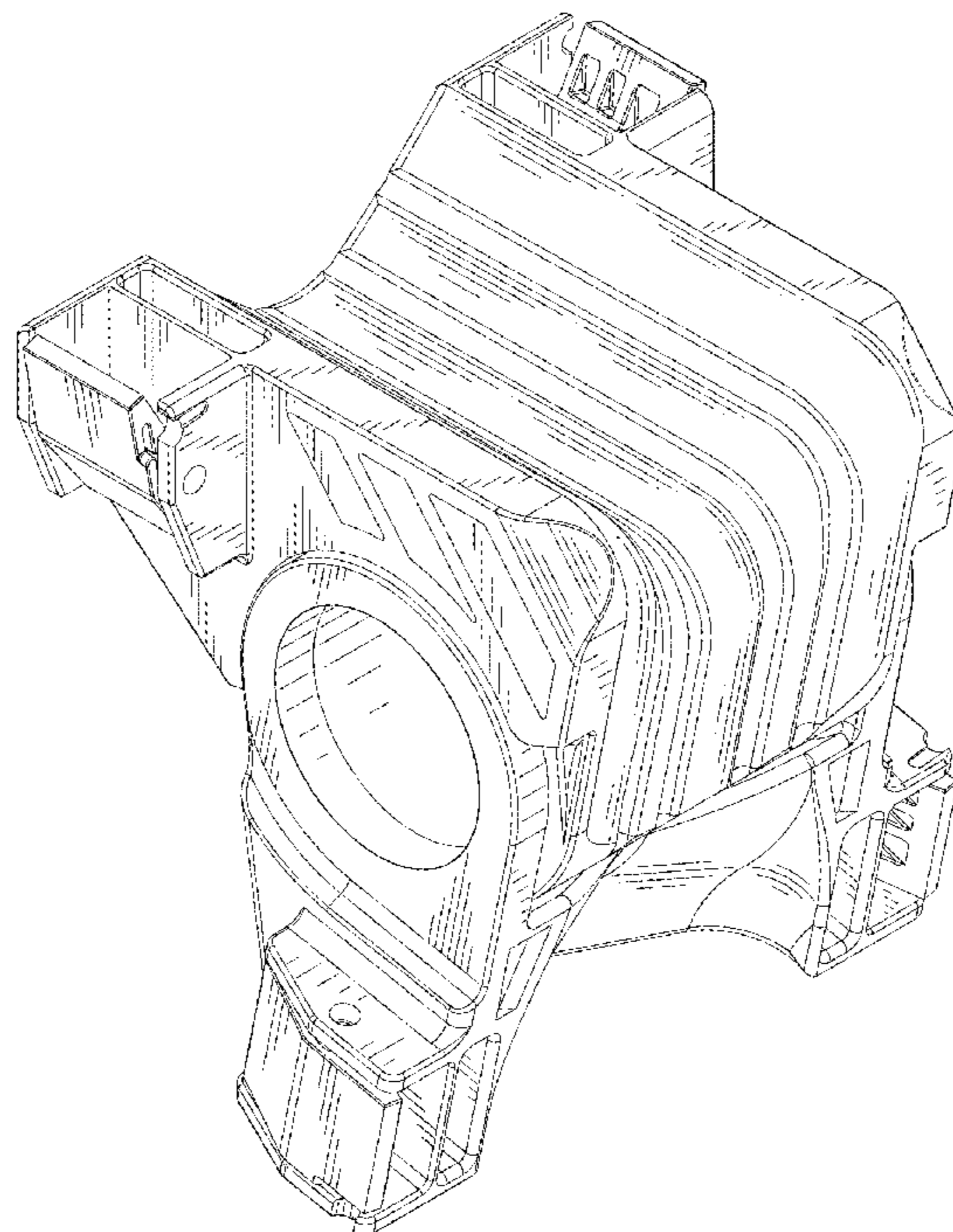
(57) **CLAIM**

We claim the ornamental design for a support member for bicycle carrier, as shown and described.

DESCRIPTION

FIG. 1 is a top, front, and right side perspective view of a support member for bicycle carrier showing our new design; FIG. 2 is a front elevation view thereof; FIG. 3 is a rear elevation view thereof; FIG. 4 is a left side elevation view thereof; FIG. 5 is a right side elevation view thereof; FIG. 6 is a top plan view thereof; FIG. 7 is a bottom plan view thereof; FIG. 8 is a bottom, front, and right side perspective view thereof; FIG. 9 is a top, front, and left side perspective view thereof; and, FIG. 10 is a bottom, front, and left side perspective view thereof.

1 Claim, 10 Drawing Sheets



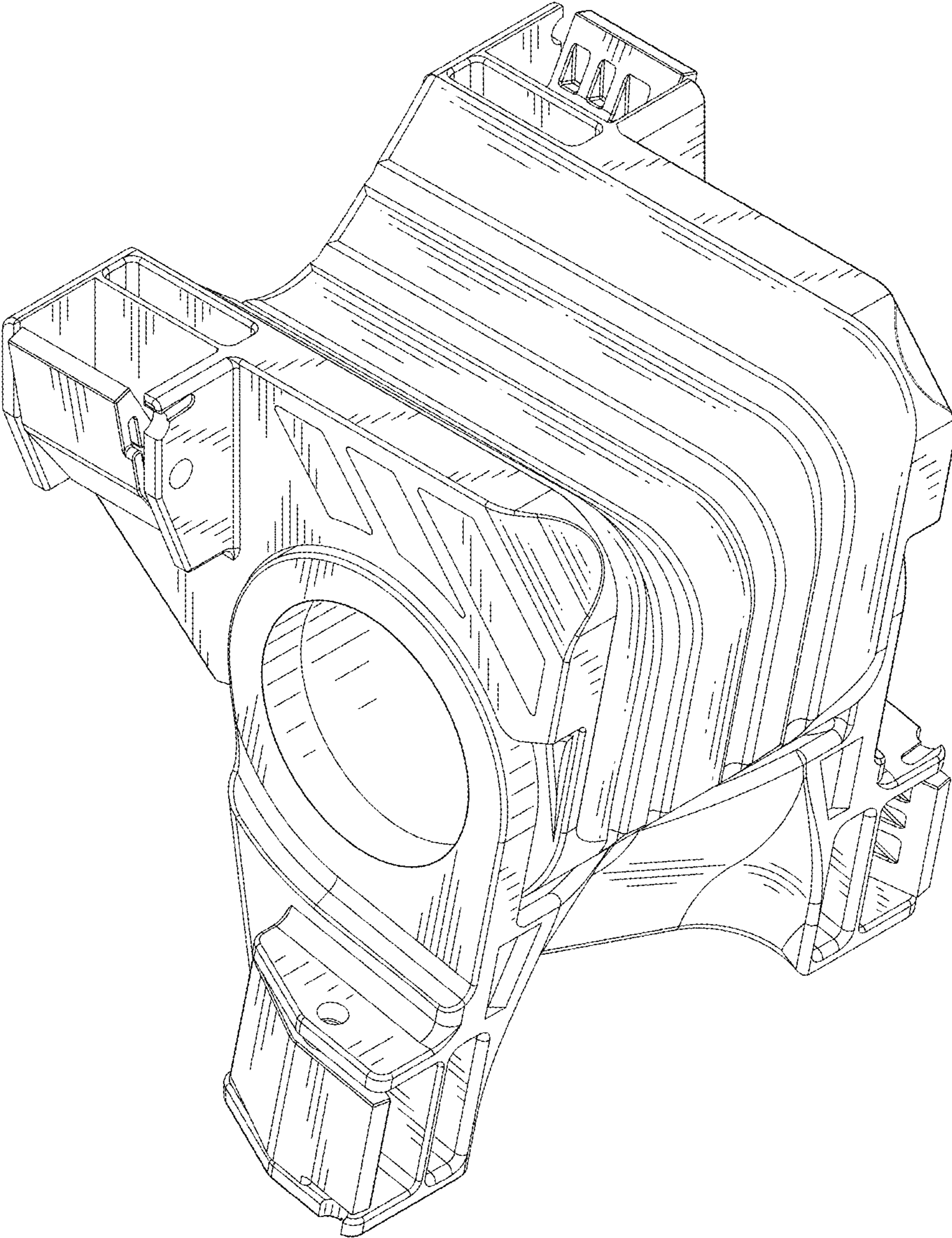


FIG. 1

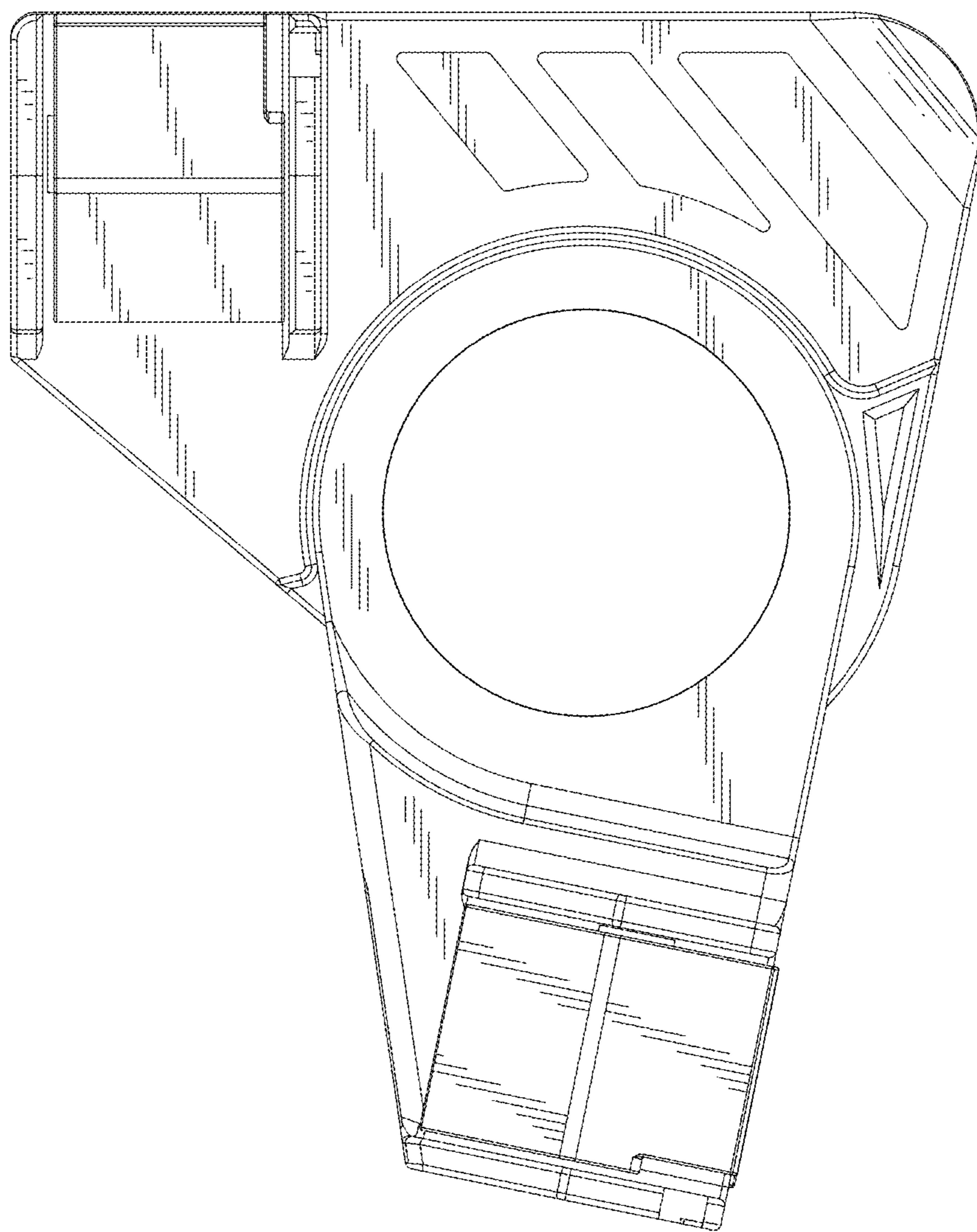


FIG. 2

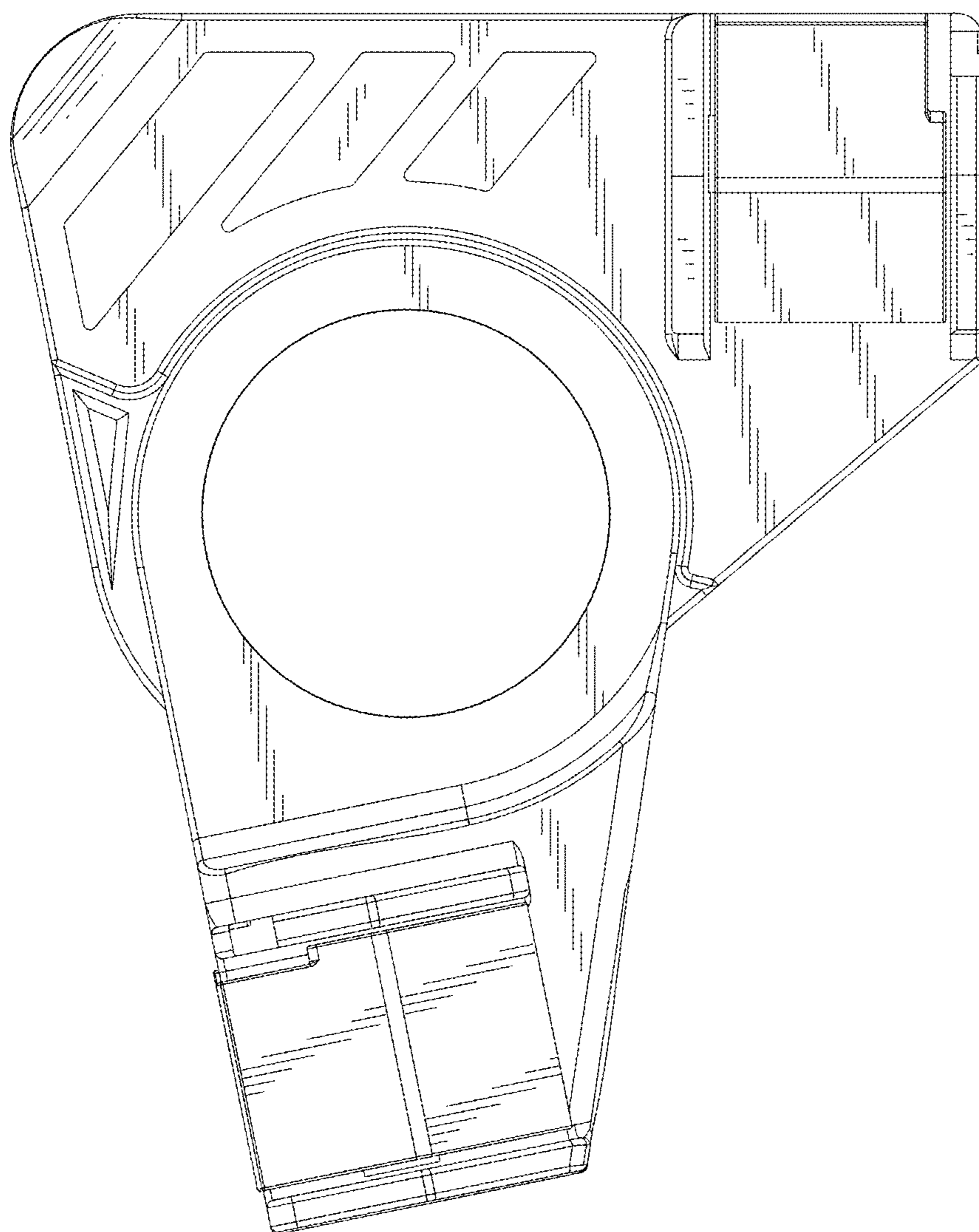


FIG. 3

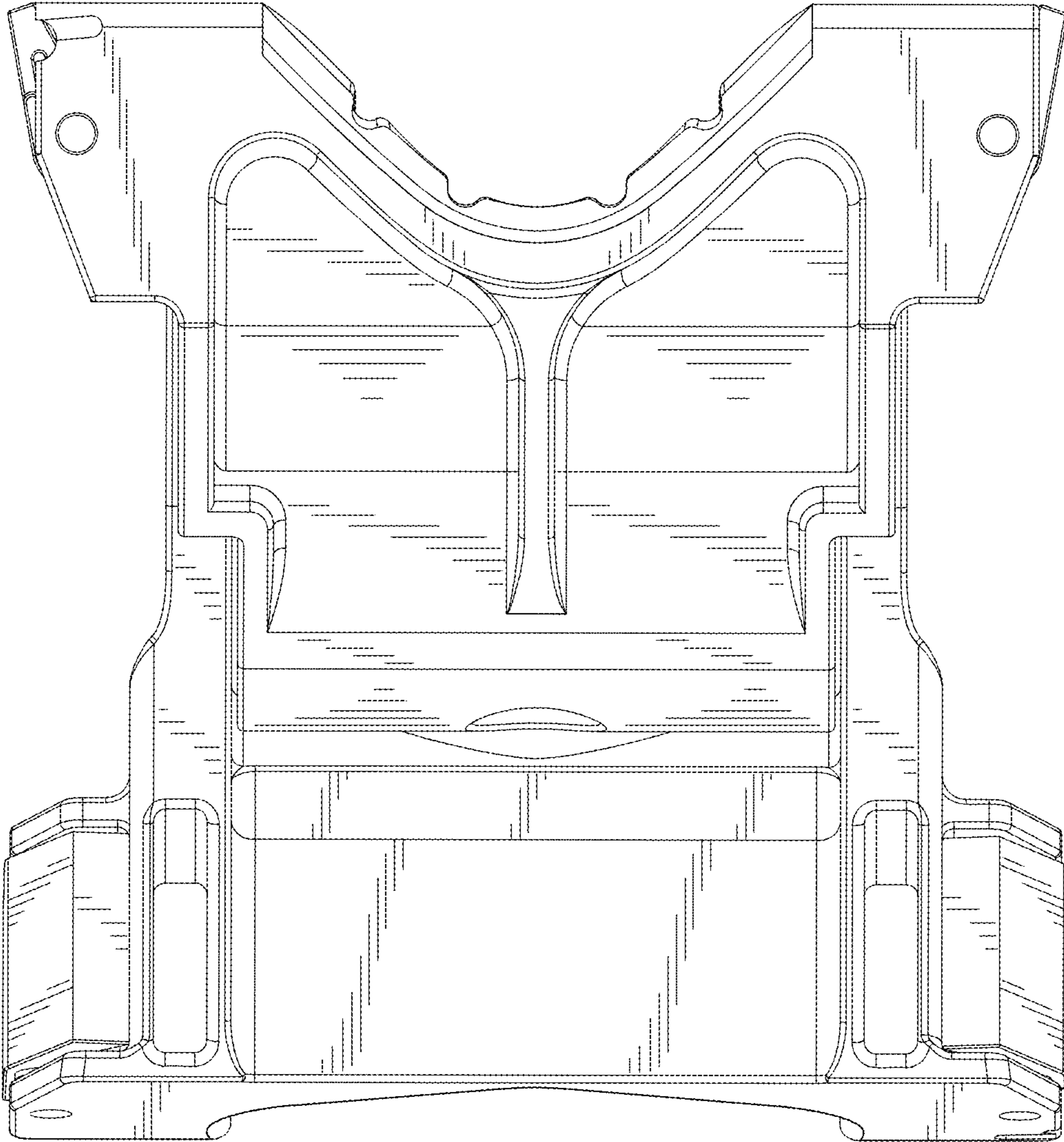


FIG. 4

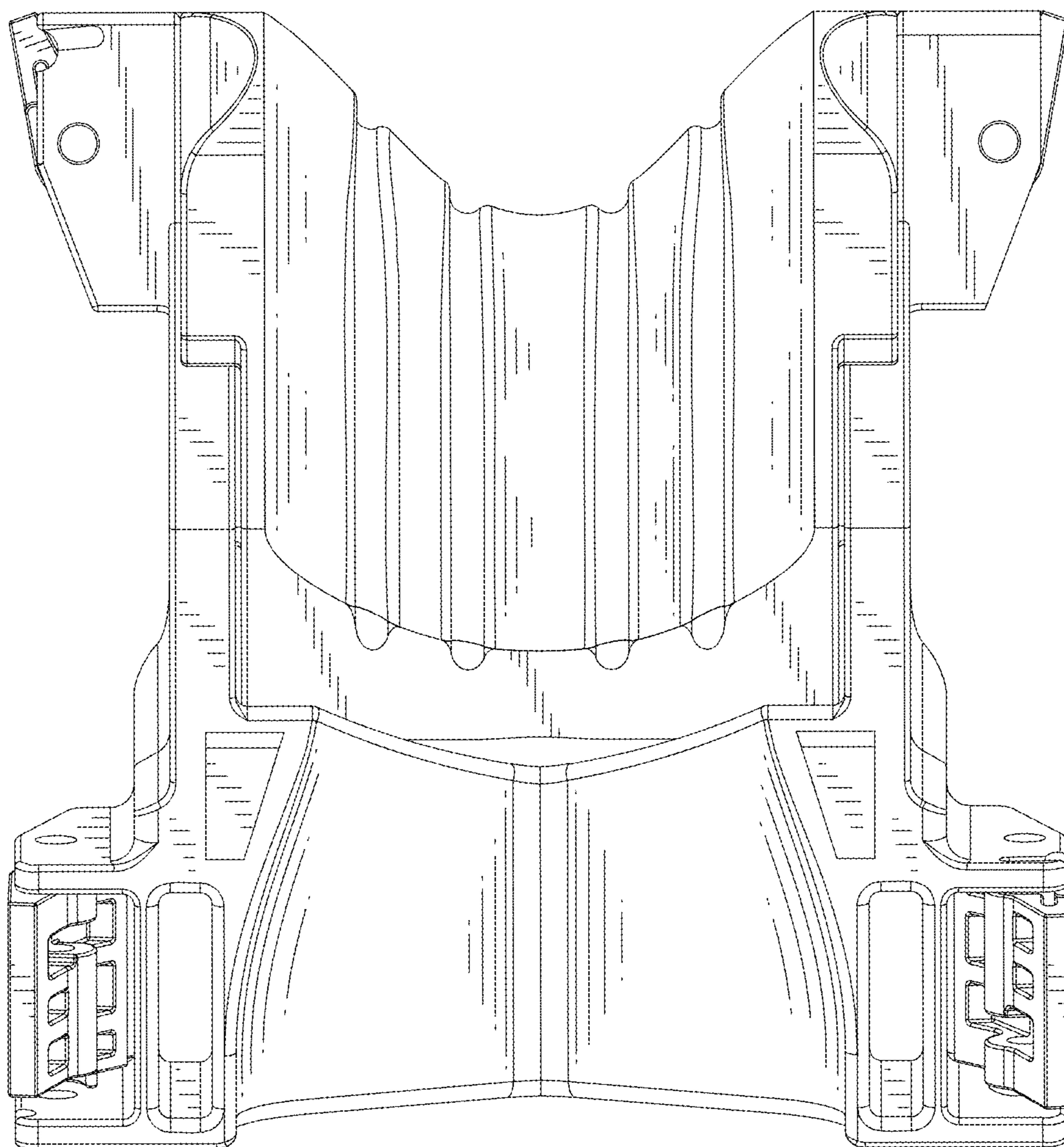


FIG. 5

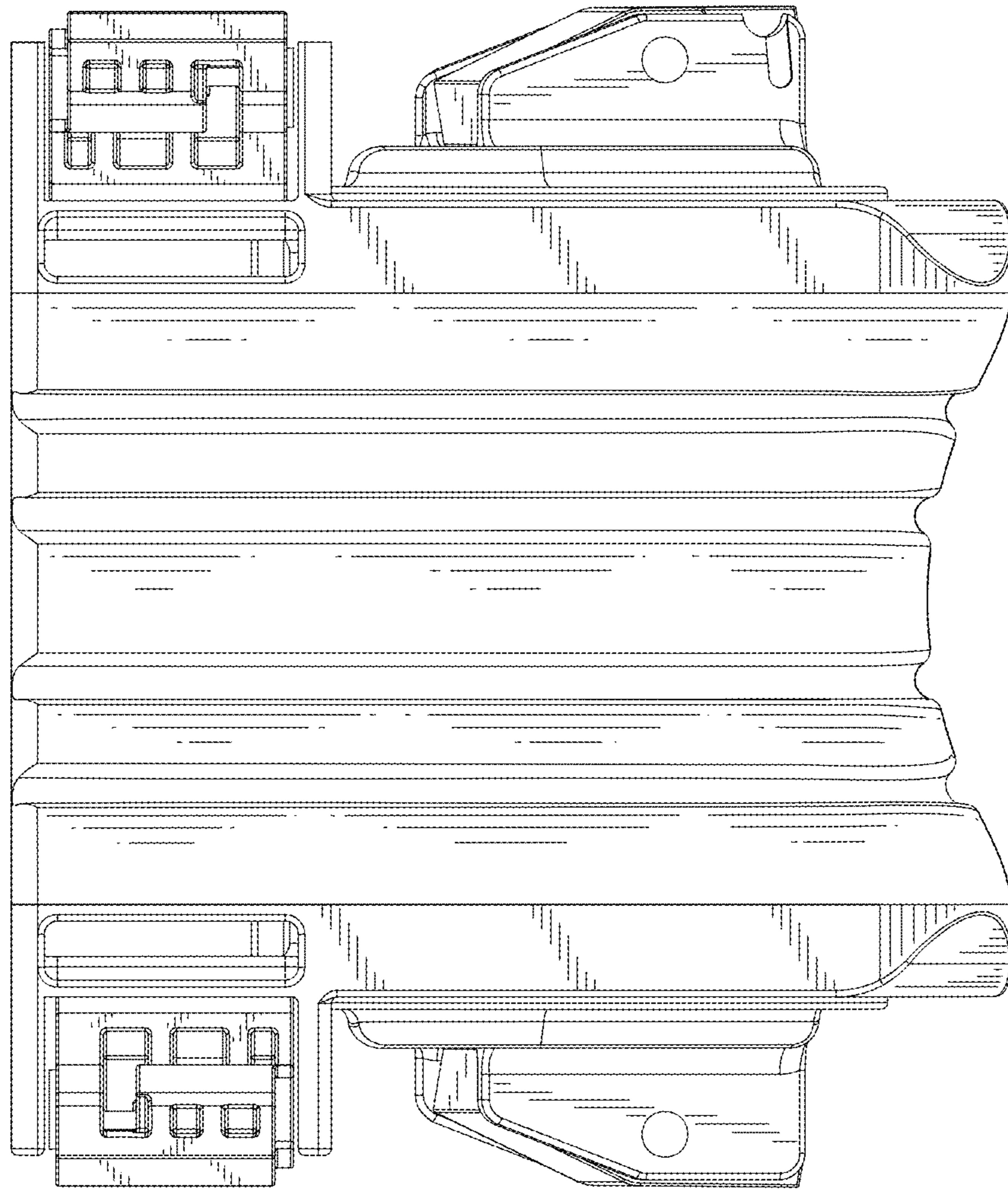


FIG. 6

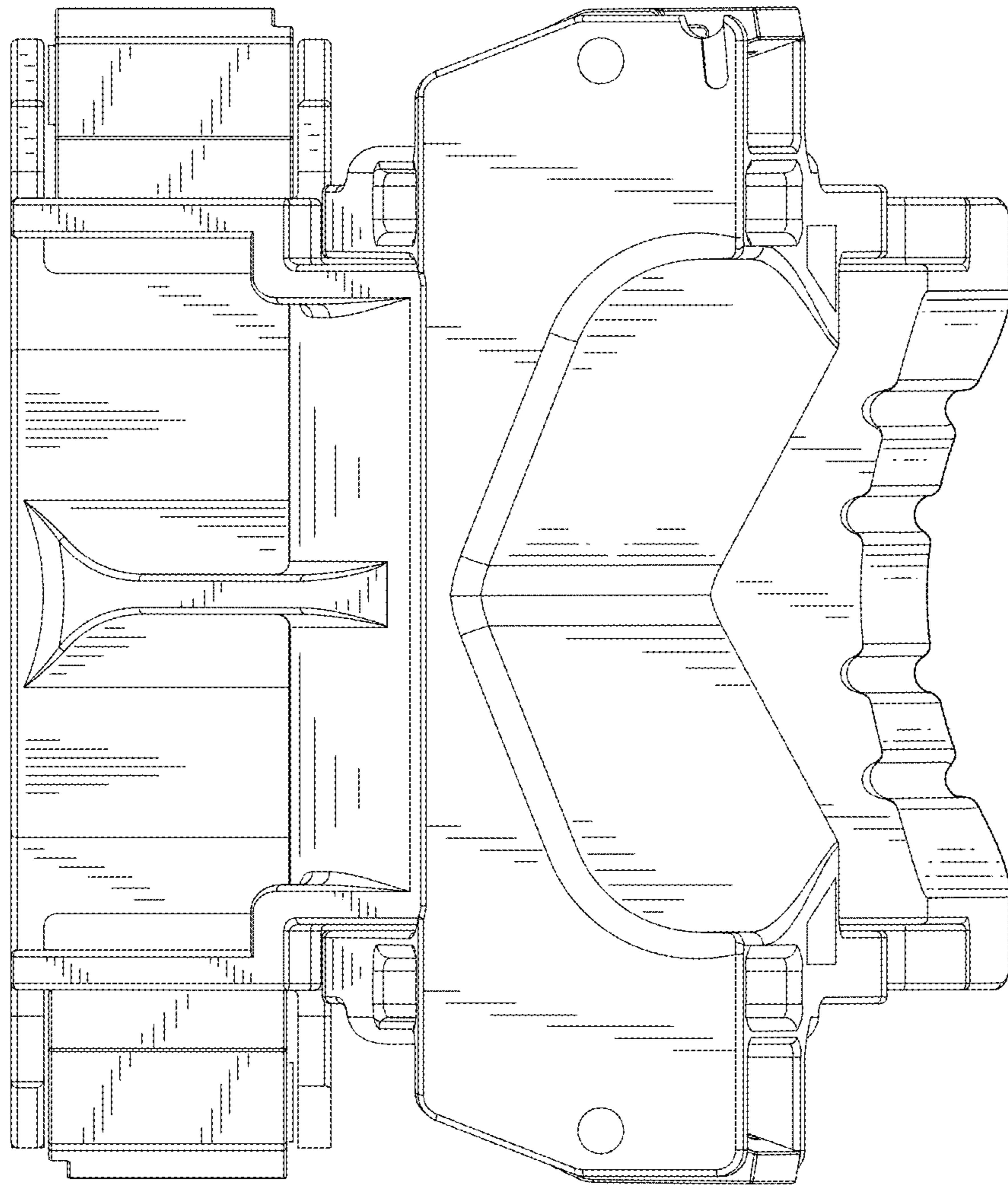


FIG. 7

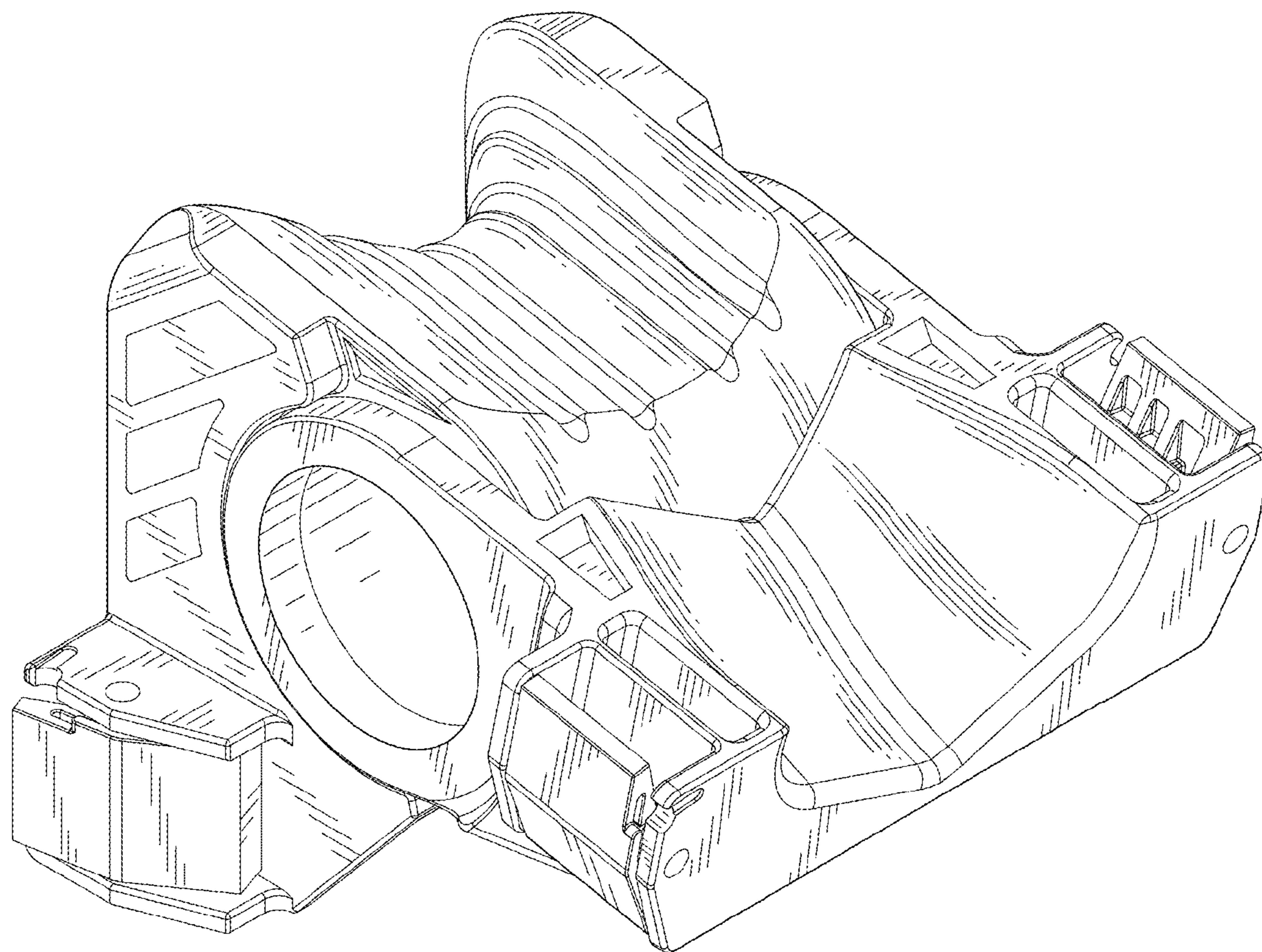


FIG. 8

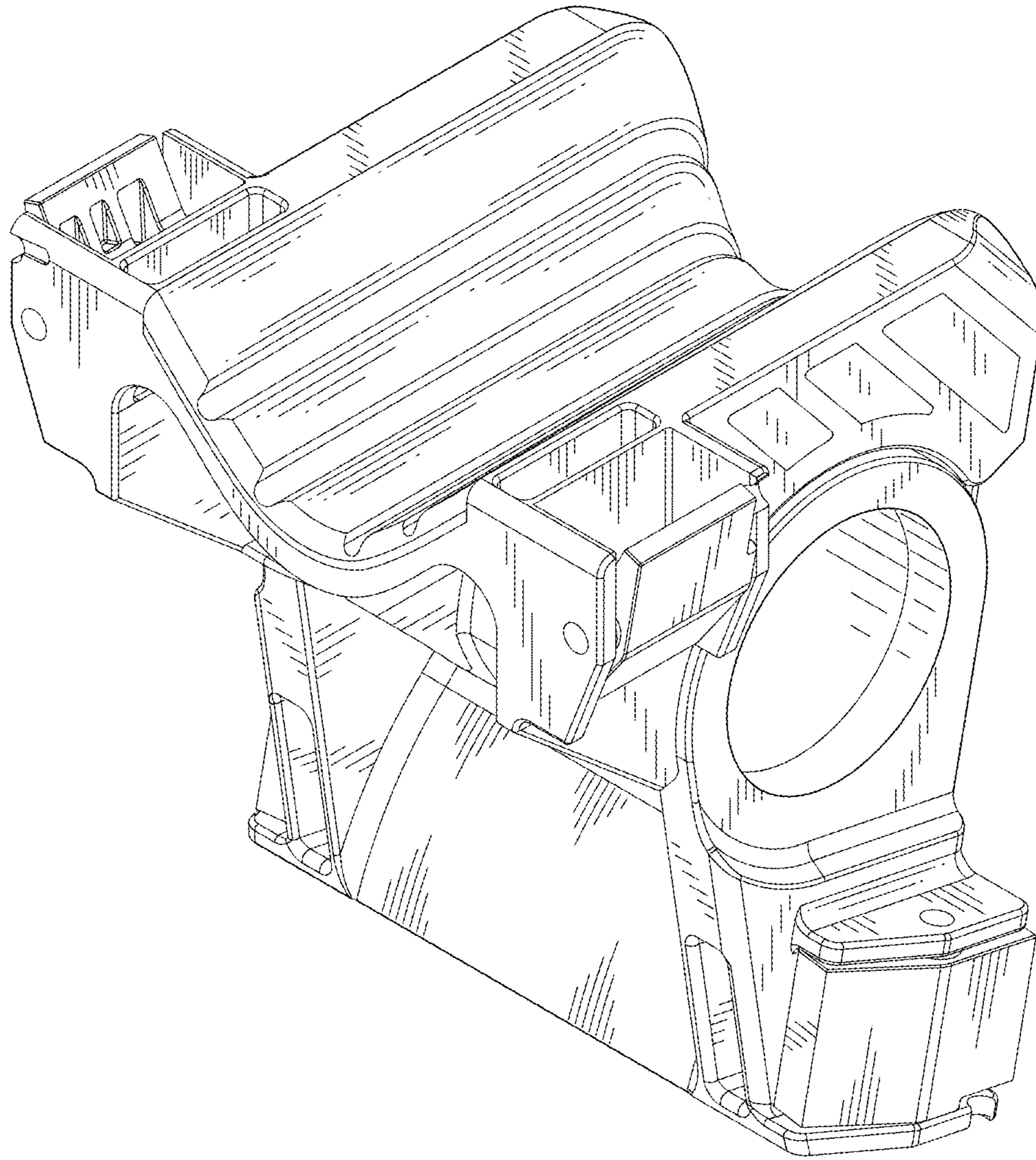


FIG. 9

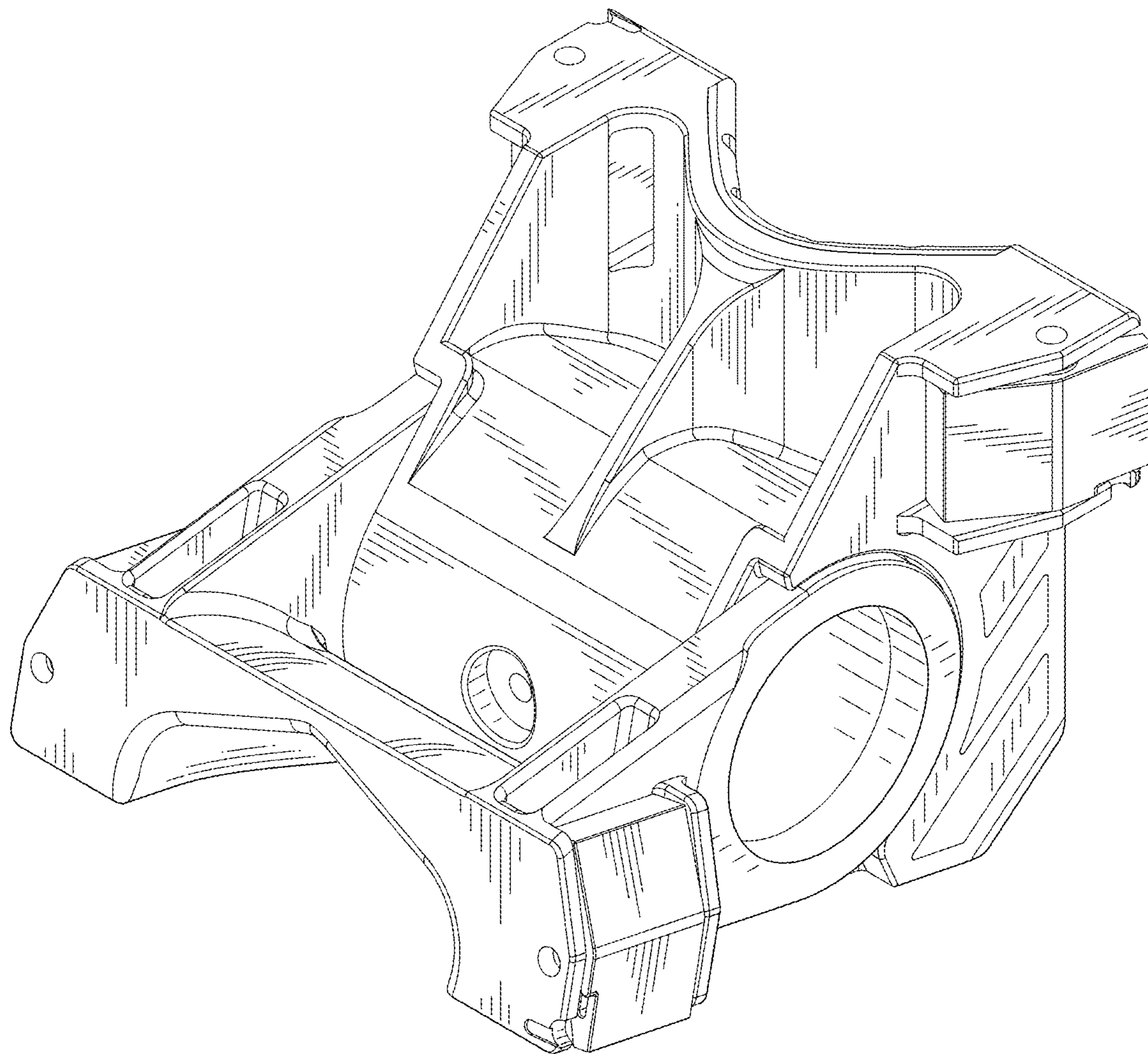


FIG. 10