



US00D870640S

(12) **United States Design Patent** (10) **Patent No.:** **US D870,640 S**
de Andrade Lima et al. (45) **Date of Patent:** **** Dec. 24, 2019**

(54) **PASSENGER SERVICE UNIT MODULE**

(71) Applicant: **EMBRAER S.A.**, São José dos Campos—SP (BR)

(72) Inventors: **Moacir Morais de Andrade Lima**, São José dos Campos (BR); **Amauri Paulino**, São José dos Campos (BR); **Sergio Luiz Abdalla Gomide**, São José dos Campos (BR); **Gustavo Selofite de Arruda**, São José dos Campos (BR); **Nilmar César Ferreira**, São José dos Campos (BR); **Luciano dos Santos Ribeiro**, São José dos Campos (BR); **Demétrio Andrade de Campos**, São José dos Campos (BR); **Sergio Augusto Meireles Filho**, São José dos Campos (BR); **Frederico Lara de Oliveira**, São José dos Campos (BR); **Douglas Gonçalves de Albuquerque**, São José dos Campos (BR); **Helio Albino**, São José dos Campos (BR); **André Duarte Stein**, São José dos Campos (BR); **Paul Priestman**, São José dos Campos (BR); **Daniel MacInnes**, São José dos Campos (BR); **Luciano Ricardo Magalhães da Silva**, São José dos Campos (BR); **Ricardo Rosa Macêdo**, São José dos Campos (BR)

(73) Assignee: **EMBRAER S.A.**, São José dos Campos—SP (BR)

(**) Term: **15 Years**

(21) Appl. No.: **29/654,294**

(22) Filed: **Jun. 22, 2018**

(51) **LOC (12) Cl.** **12-07**

(52) **U.S. Cl.**
USPC **D12/345; D12/418**

(58) **Field of Classification Search**

USPC D12/1–4, 16.1, 319–345, 415, 418;
D21/436–454
CPC B64C 39/024; B64C 13/16; B64C 19/00;
B64C 2201/021; B64C 2201/141; B60H
1/3442

See application file for complete search history.

(56) **References Cited**

U.S. PATENT DOCUMENTS

D259,038 S *	4/1981	Smith	D12/195
D344,925 S *	3/1994	Schimmelpfenning, Jr.	D12/345
D373,184 S *	8/1996	Nishizawa	D12/345
D376,343 S *	12/1996	Alcocer	D12/183
D444,443 S *	7/2001	Wilson	D12/317
D455,390 S *	4/2002	Granzeier	D12/345
D575,724 S *	8/2008	Tsay	D12/418
D578,454 S *	10/2008	Wyszogrod	D12/192
D580,345 S *	11/2008	Paxton	D12/418

(Continued)

Primary Examiner — Marissa J Cash

(74) *Attorney, Agent, or Firm* — Nixon & Vanderhye P.C.

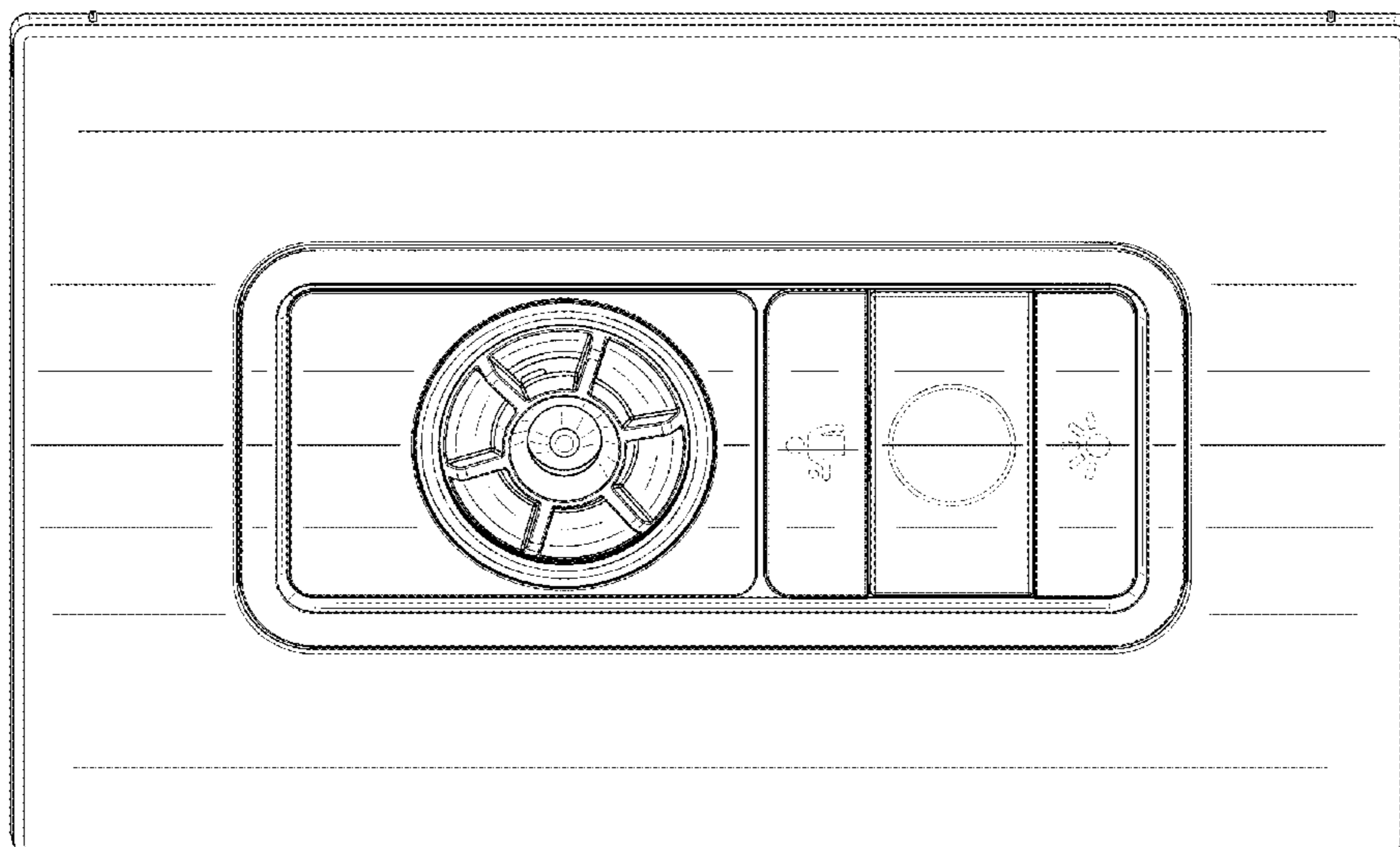
(57) **CLAIM**

The ornamental design for a “passenger service unit module,” as shown and described.

DESCRIPTION

FIG. 1 is a right end bottom perspective view showing our new and original design for a passenger service unit module, FIG. 2 is a left end bottom perspective view thereof; FIG. 3 is a left side bottom perspective view thereof; FIG. 4 is a right side bottom perspective view thereof; FIG. 5 is a bottom plan view thereof; FIG. 6 is a right side elevational view thereof; FIG. 7 is a right side elevational view thereof; and, FIG. 8 is a left side elevational view thereof. The dashed lines appearing in the FIGURES represent symbols that do not form a part of the claimed design.

1 Claim, 7 Drawing Sheets



(56)

References Cited

U.S. PATENT DOCUMENTS

D590,764	S *	4/2009	Yu	D12/418
D600,623	S *	9/2009	Fiedler	D12/345
D600,624	S *	9/2009	Fiedler	D12/345
D613,669	S *	4/2010	Collins	D12/345
D624,481	S *	9/2010	Schuephaus	D12/345
D624,482	S *	9/2010	Schuephaus	D12/345
D624,483	S *	9/2010	Schuephaus	D12/345
7,789,084	B2 *	9/2010	Rittner	A62B 7/14 128/204.18
D628,529	S *	12/2010	Fiedler	D12/345
D669,013	S *	10/2012	Schreuder	D12/345
D673,892	S *	1/2013	Stephan	D12/345
D750,007	S *	2/2016	Smallhorn	D12/345
D761,187	S *	7/2016	Castanha	D12/345
D762,549	S *	8/2016	Paulino	D12/345
D772,780	S *	11/2016	Kasparian	D12/345
D784,904	S *	4/2017	Schutterra	D12/345
D786,171	S *	5/2017	Smallhorn	D12/345
D786,770	S *	5/2017	Smallhorn	D12/345
D787,420	S *	5/2017	Smallhorn	D12/345
D788,017	S *	5/2017	Smallhorn	D12/345
D795,161	S *	8/2017	Schutterra	D12/345
D795,786	S *	8/2017	Smallhorn	D12/345
D797,642	S *	9/2017	Smallhorn	D12/345
D797,643	S *	9/2017	Smallhorn	D12/345
D821,947	S *	7/2018	Kasparian	D12/195
D845,211	S *	4/2019	Baek	D12/418
D858,392	S *	9/2019	Pugliesi	D12/195
2011/0270469	A1 *	11/2011	Bopp	B60R 11/02 701/3
2015/0016129	A1 *	1/2015	Castanha	B64D 11/00 362/471

* cited by examiner

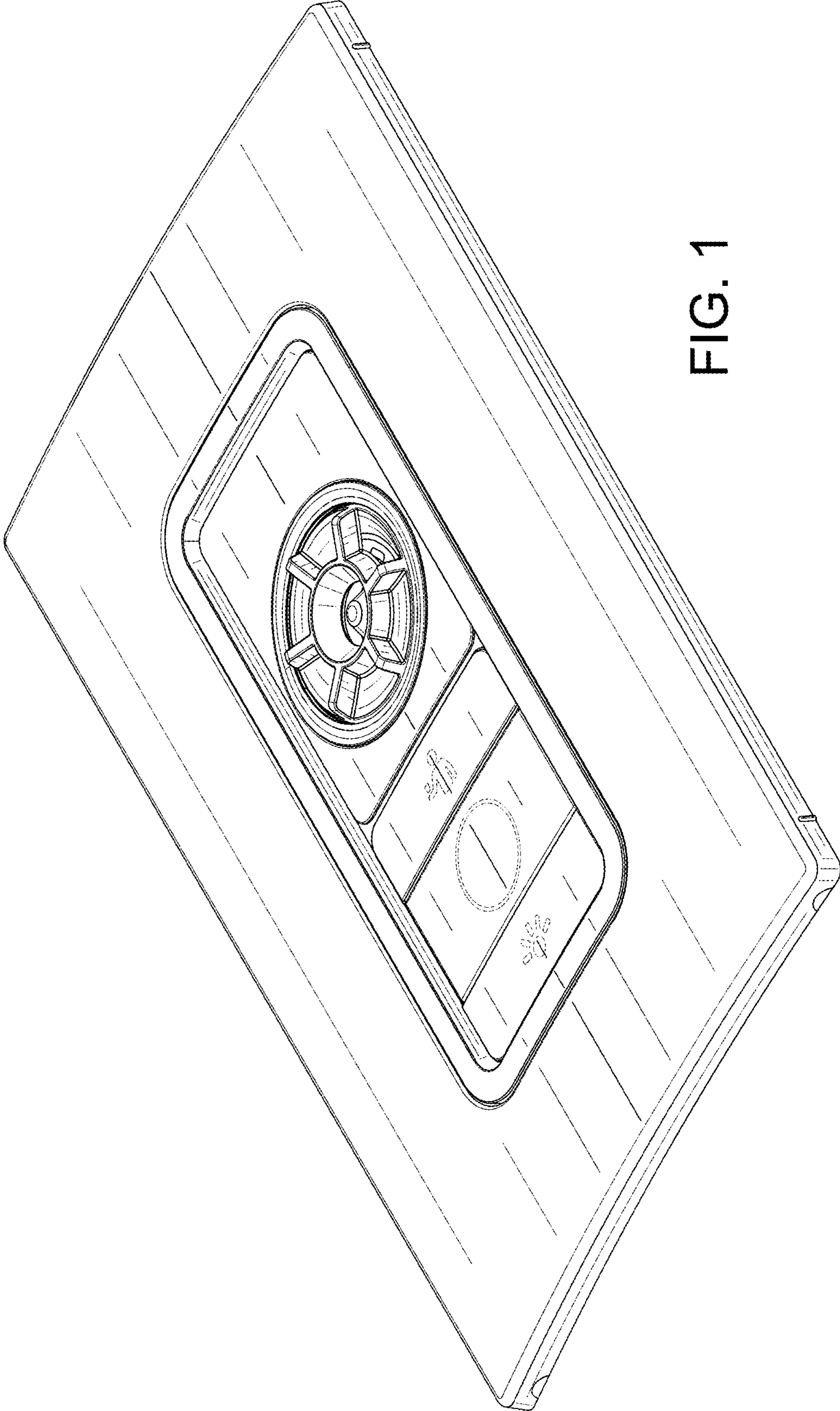


FIG. 1

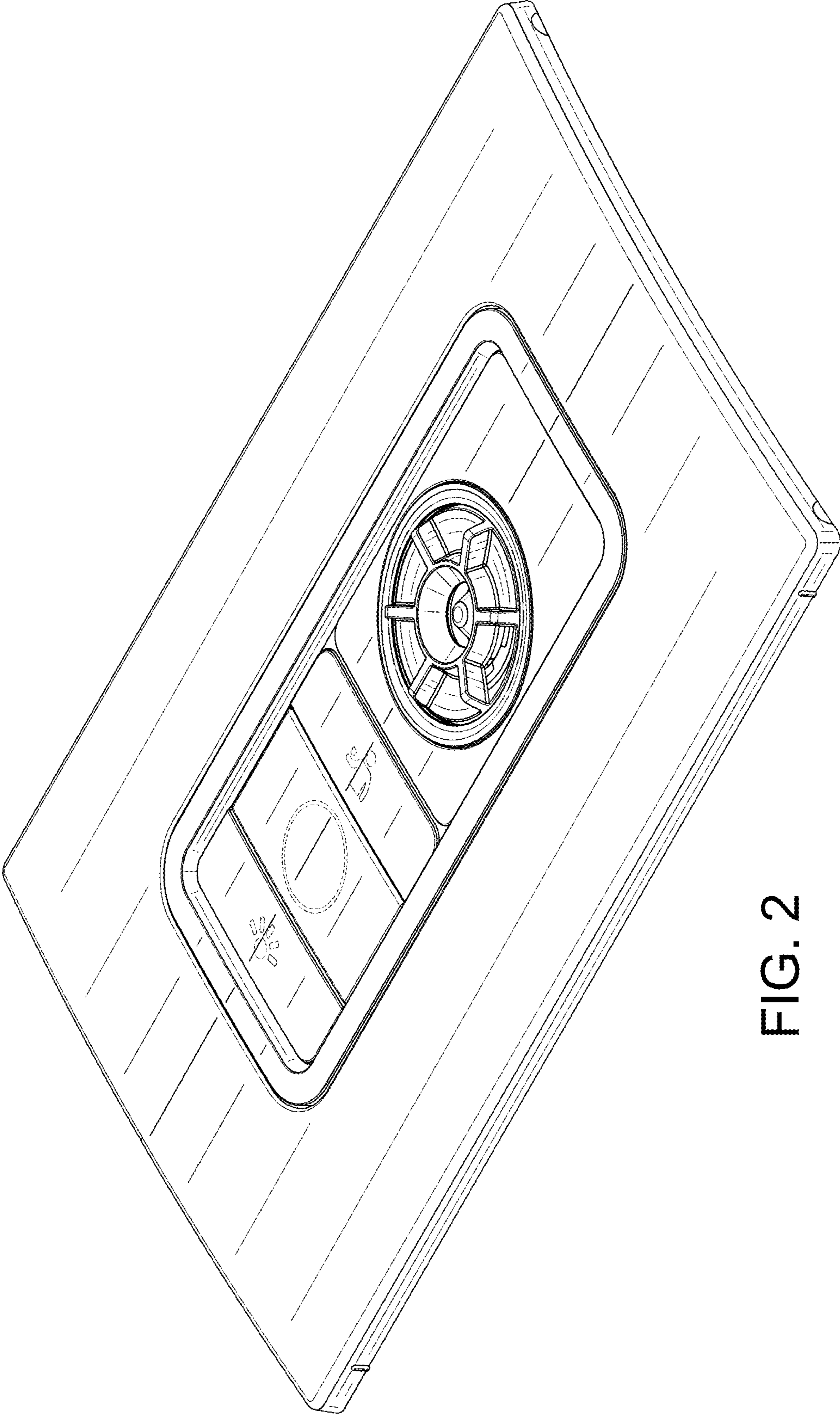


FIG. 2

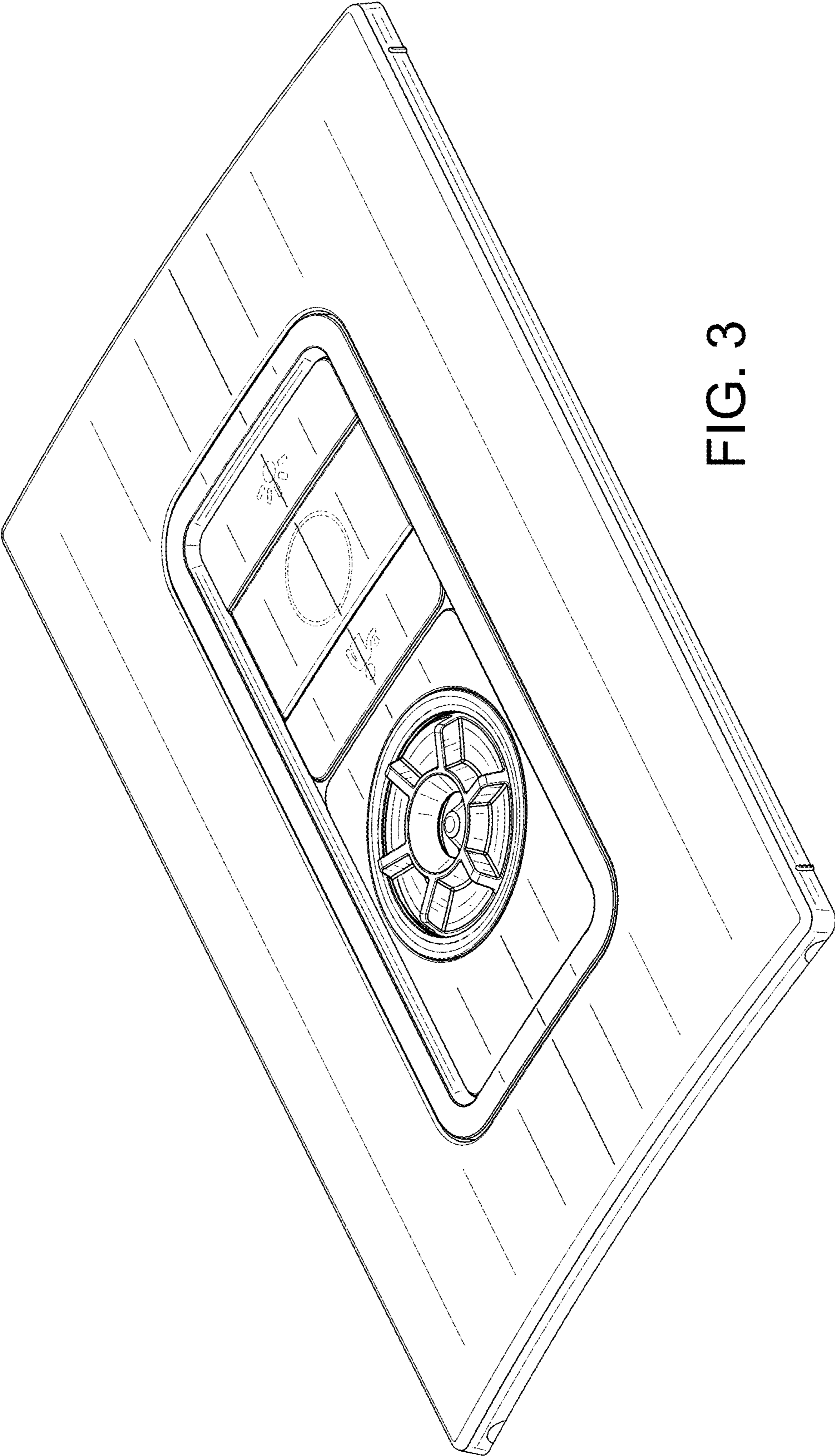


FIG. 3

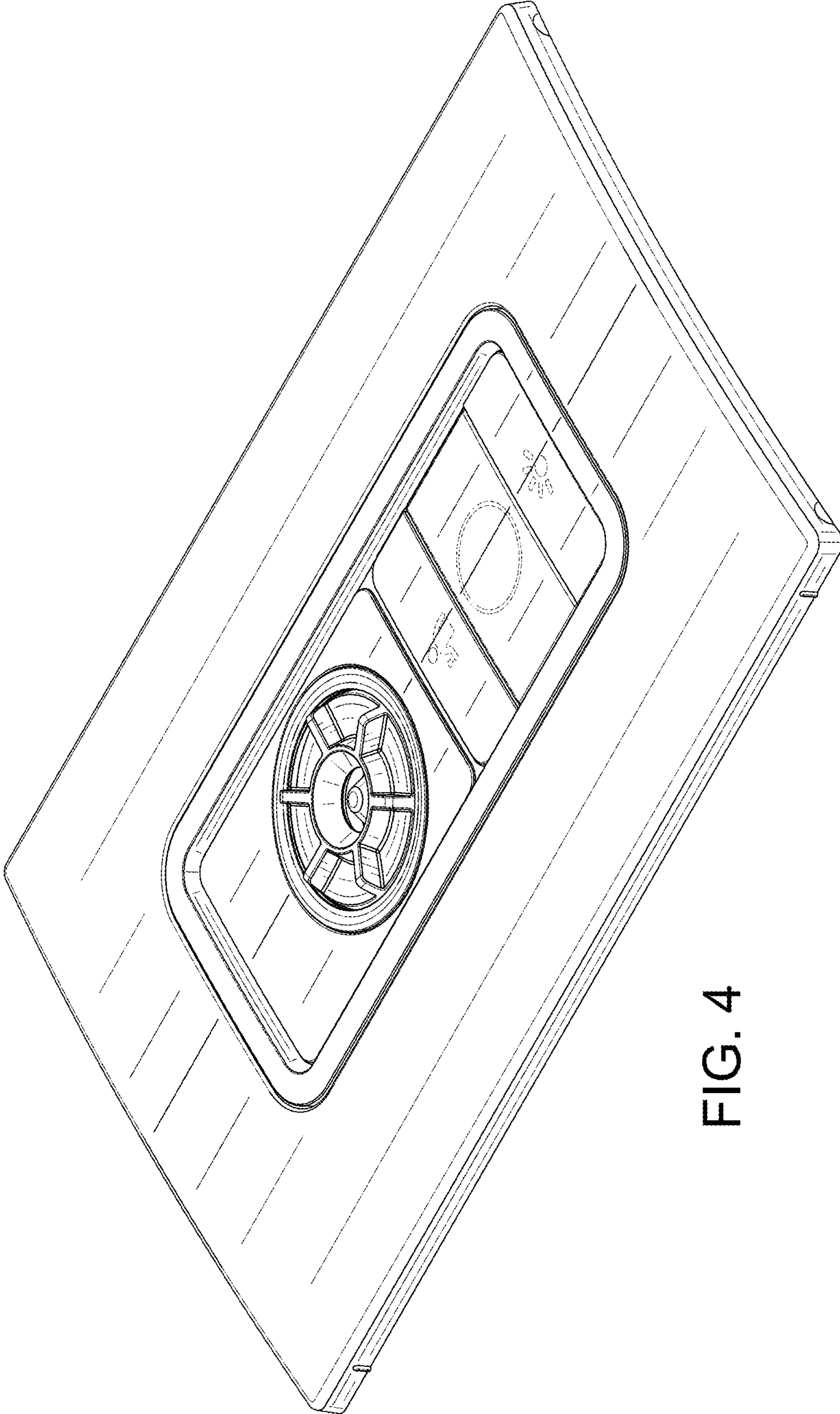


FIG. 4

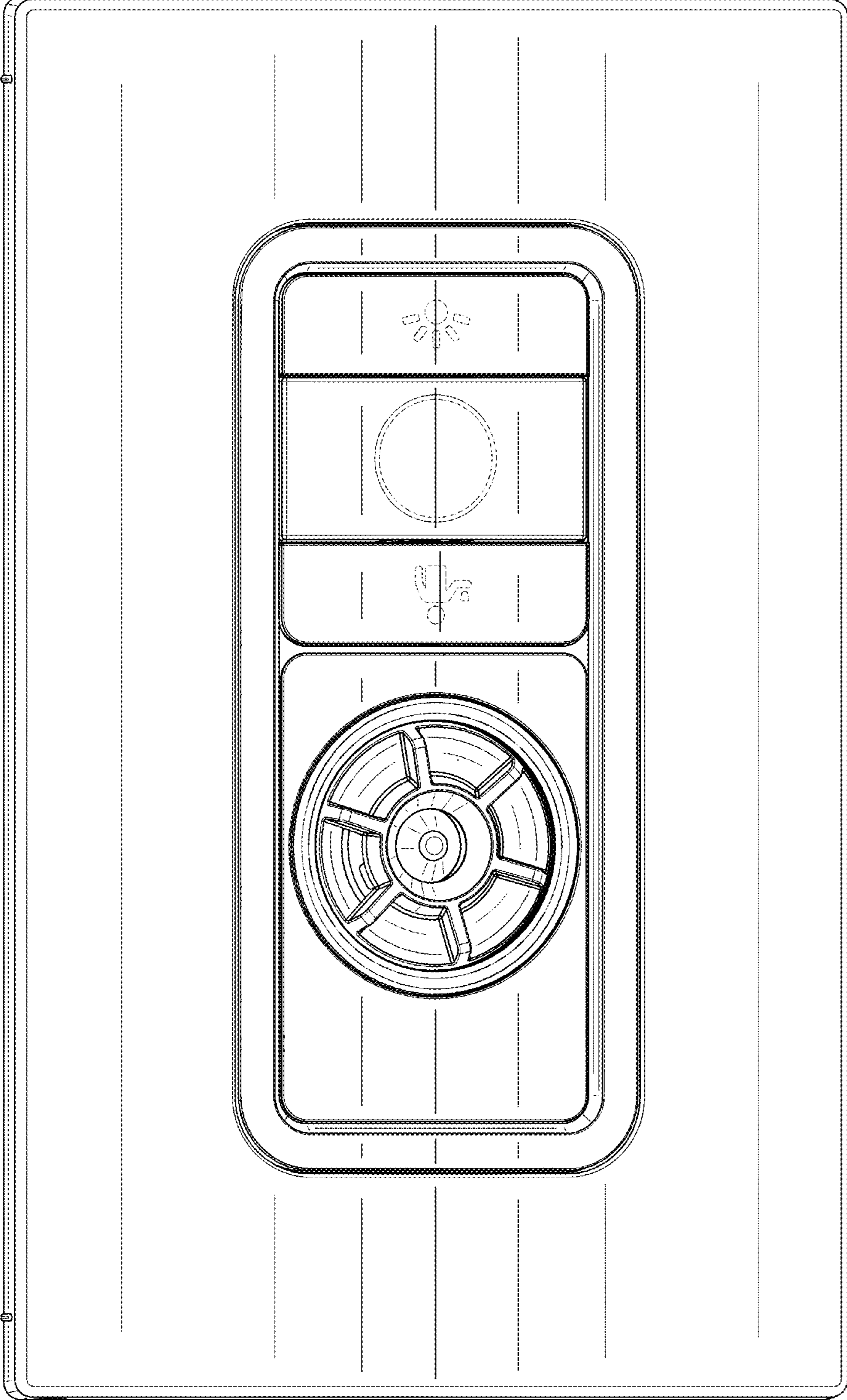


FIG. 5

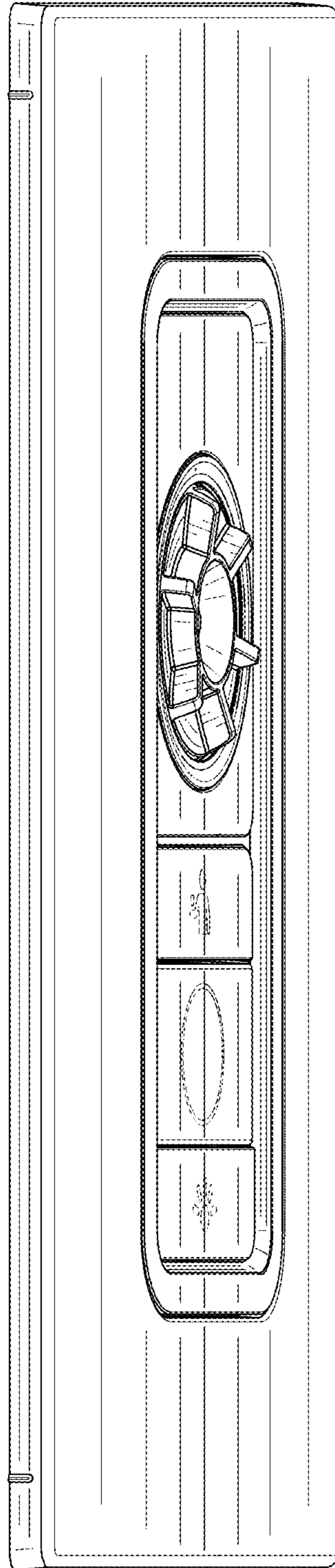


FIG. 6

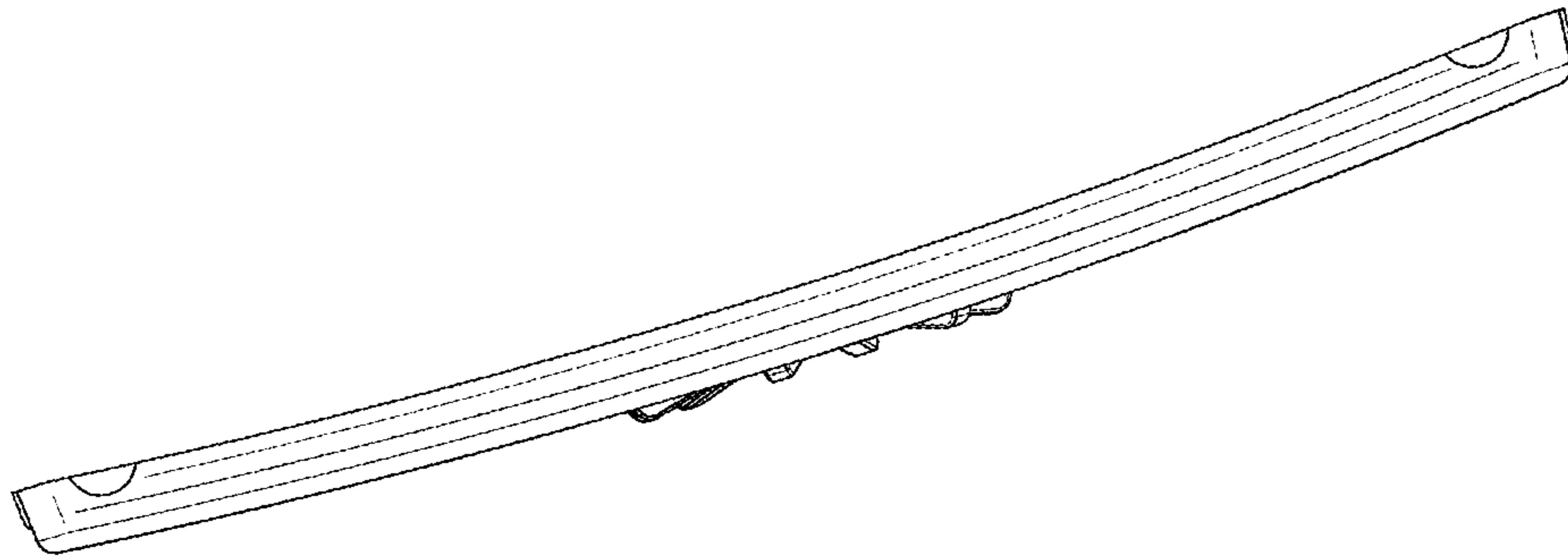


FIG. 7

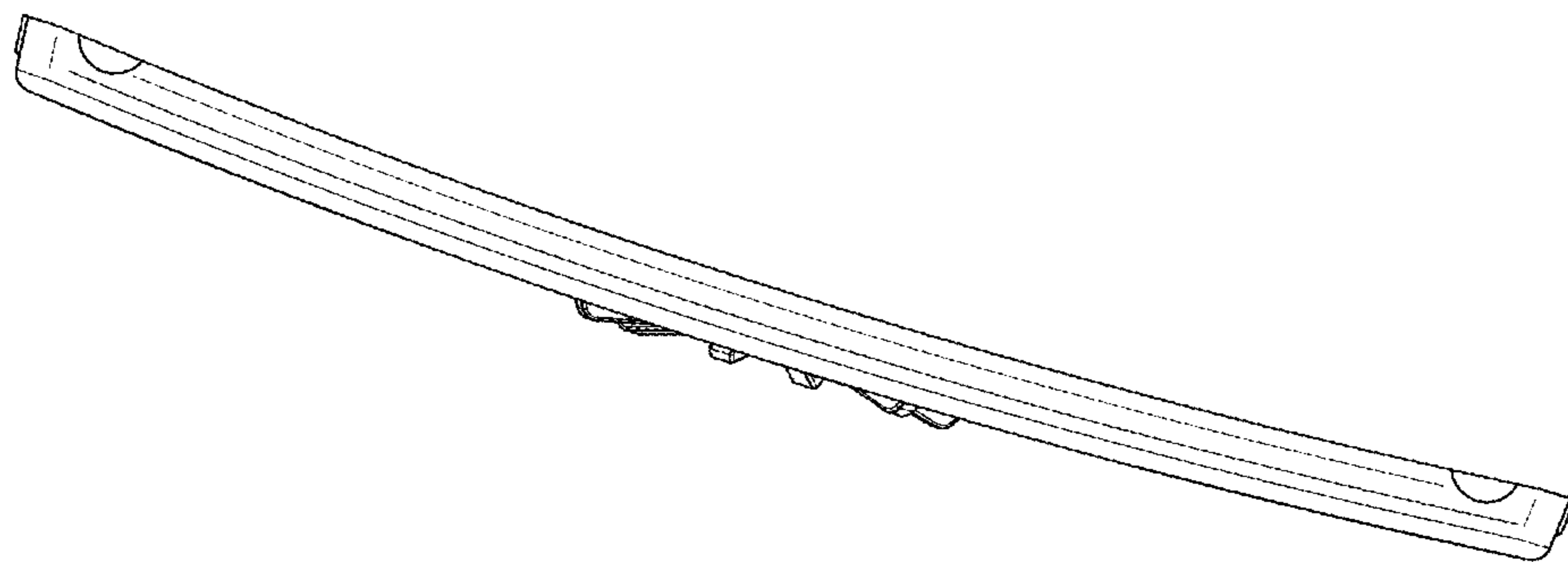


FIG. 8