



US00D870639S

(12) **United States Design Patent** (10) **Patent No.:** **US D870,639 S**
Ivans et al. (45) **Date of Patent:** **** Dec. 24, 2019**

(54) **FOLDABLE TILTROTOR AIRCRAFT**

OTHER PUBLICATIONS

(71) Applicant: **Bell Helicopter Textron Inc.**, Fort Worth, TX (US)

Notice of Allowance, dated Jun. 8, 2018, by the USPTO, re Design U.S. Appl. No. 29/628,801.

(Continued)

(72) Inventors: **Steven Ivans**, Ponder, TX (US); **Brent Ross**, Flower Mound, TX (US); **Nathan Wu**, Irving, TX (US); **Berlin Benfield**, Grapevine, TX (US); **Kendall Goodman**, Southlake, TX (US)

Primary Examiner — Marissa J Cash
(74) *Attorney, Agent, or Firm* — Timmer Law Group, PLLC

(73) Assignee: **Bell Helicopter Textron Inc.**, Fort Worth, TX (US)

(57) **CLAIM**

The ornamental design for a foldable tiltrotor aircraft, as shown and described.

(**) Term: **15 Years**

DESCRIPTION

(21) Appl. No.: **29/628,851**

(22) Filed: **Dec. 7, 2017**

Related U.S. Application Data

(63) Continuation of application No. 29/577,578, filed on Sep. 14, 2016, now Pat. No. Des. 808,328.

(51) **LOC (12) Cl.** **12-08**

(52) **U.S. Cl.**
USPC **D12/328**

(58) **Field of Classification Search**
USPC D12/319–345, 1–4, 16.1, 214, 300, 305, D12/308, 316, 317; D21/436–454; D30/160

CPC B64C 29/0025; B64C 2201/108; B64C 2201/048; B64C 2201/088; B64C 29/00; B64C 29/0058; B64C 39/001; B64C

(Continued)

(56) **References Cited**

U.S. PATENT DOCUMENTS

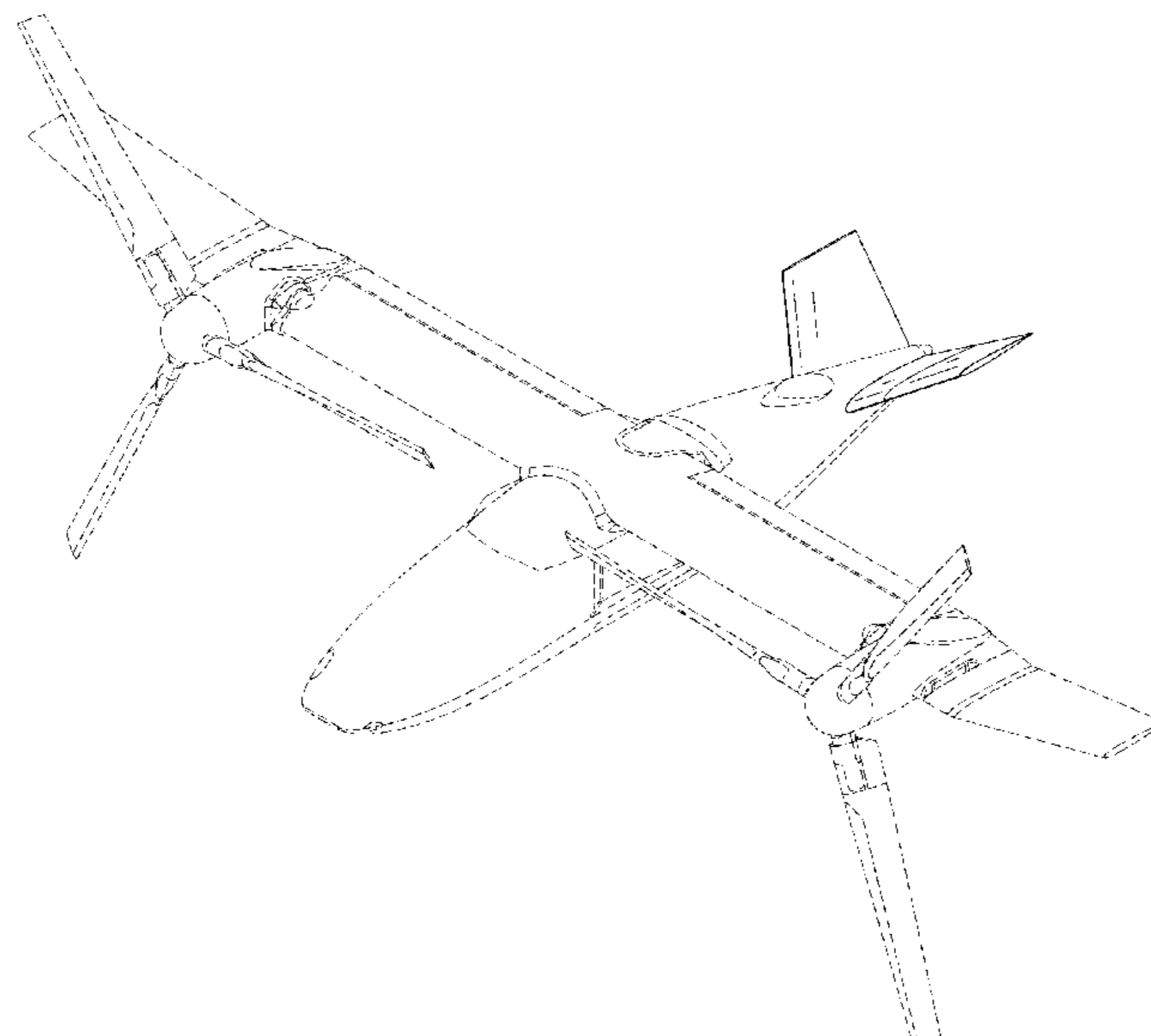
D128,173 S 7/1941 Oliver
D140,129 S * 1/1945 Watter 244/45 R

(Continued)

FIG. 1 is a top, right front perspective view of a foldable tiltrotor aircraft with the rotor nacelles facing forward; FIG. 2 is a front elevational view of FIG. 1; FIG. 3 is a right side elevational view of FIG. 1; FIG. 4 is a left side elevational view of FIG. 1; FIG. 5 is a top plan view of FIG. 1; FIG. 6 is a bottom plan view of FIG. 1; FIG. 7 is a top, right front perspective view of the foldable tiltrotor aircraft with the rotor nacelles facing upward; FIG. 8 is a front elevational view of FIG. 7; FIG. 9 is a right side elevational view of FIG. 7; FIG. 10 is a left side elevational view of FIG. 7; FIG. 11 is a top plan view of FIG. 7; FIG. 12 is a bottom plan view of FIG. 7; FIG. 13 is a top, right front perspective view of the foldable tiltrotor aircraft in a folded position; FIG. 14 is a front elevational view of FIG. 13; FIG. 15 is a right side elevational view of FIG. 13; FIG. 16 is a left side elevational view of FIG. 13; FIG. 17 is a top plan view of FIG. 13; and, FIG. 18 is a bottom plan view of FIG. 13.

The broken lines in the drawings represent unclaimed environmental subject matter and form no part of the claim.

1 Claim, 13 Drawing Sheets



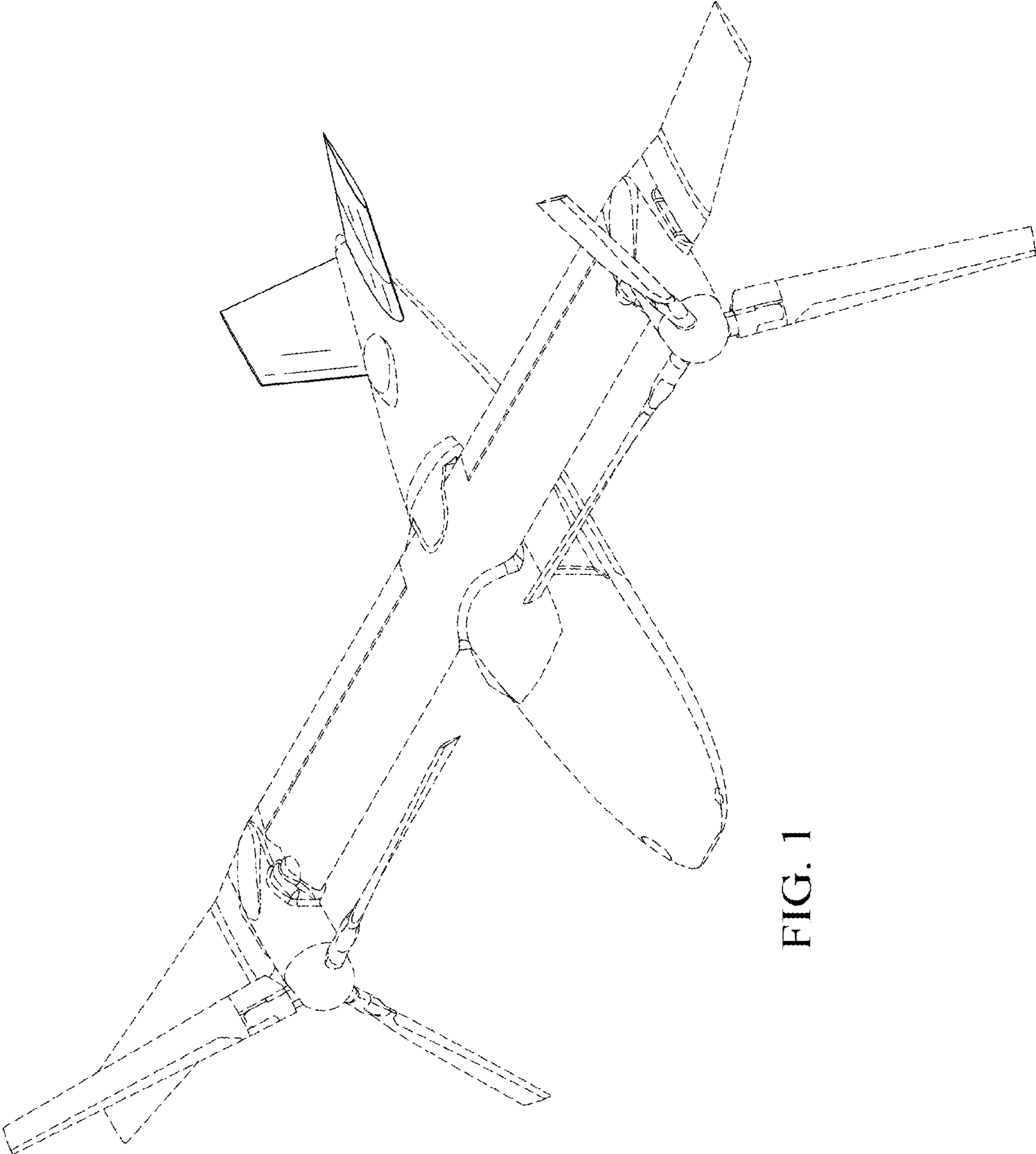


FIG. 1

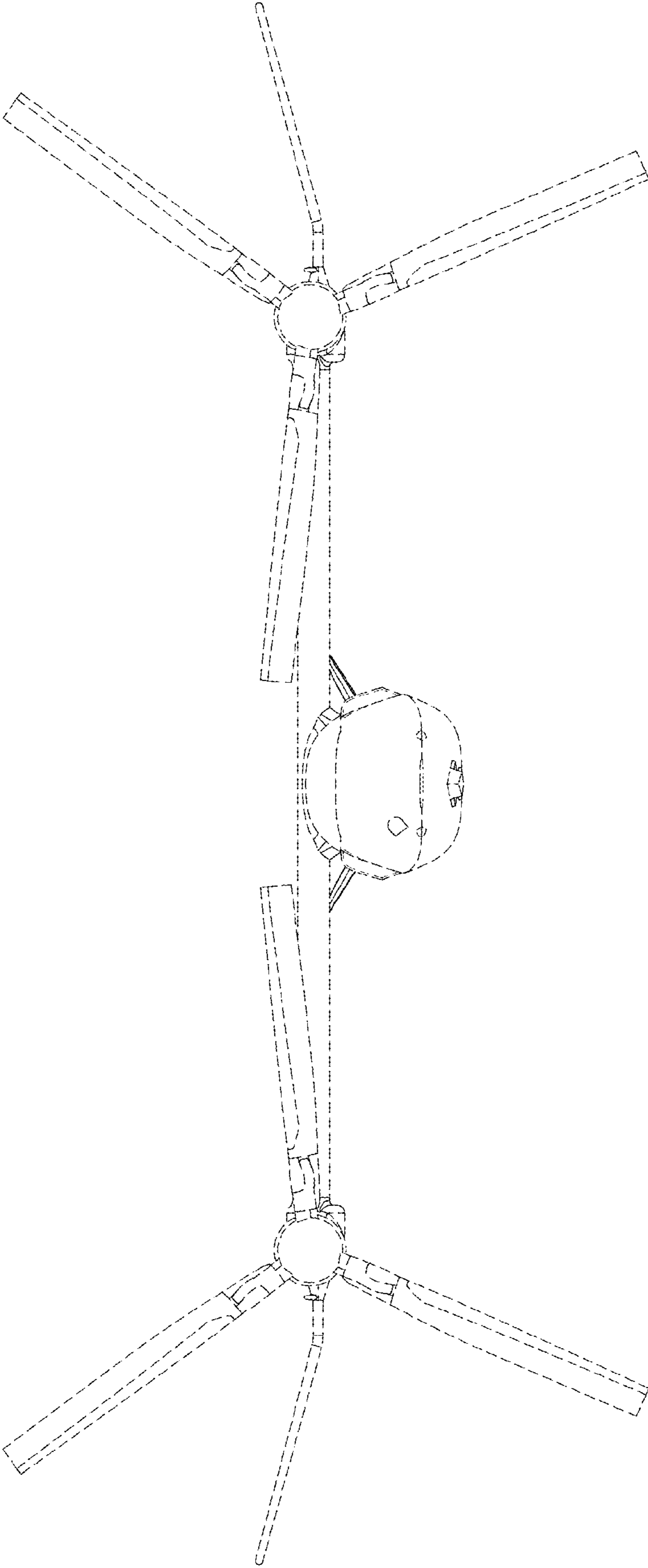


FIG. 2

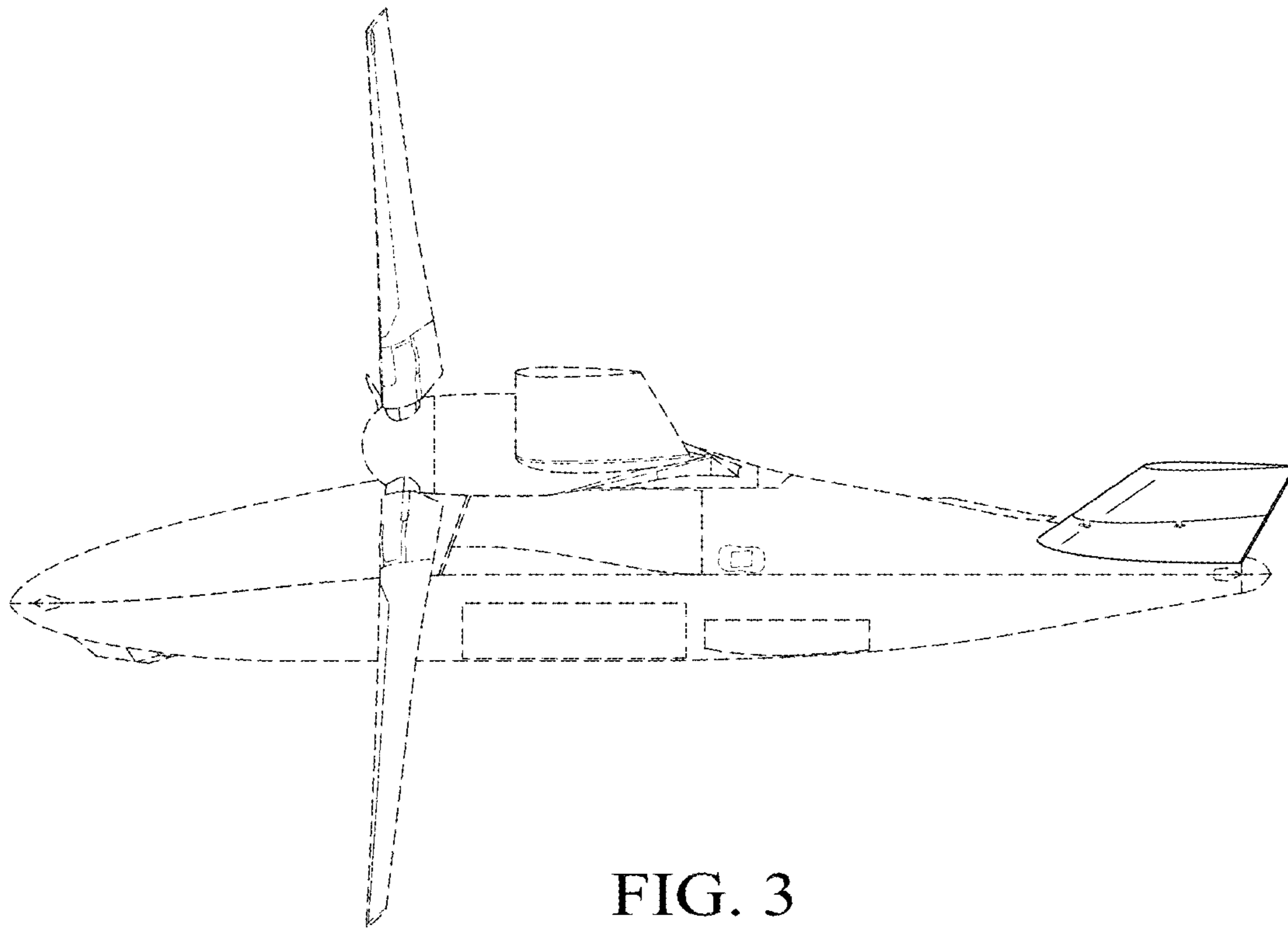


FIG. 3

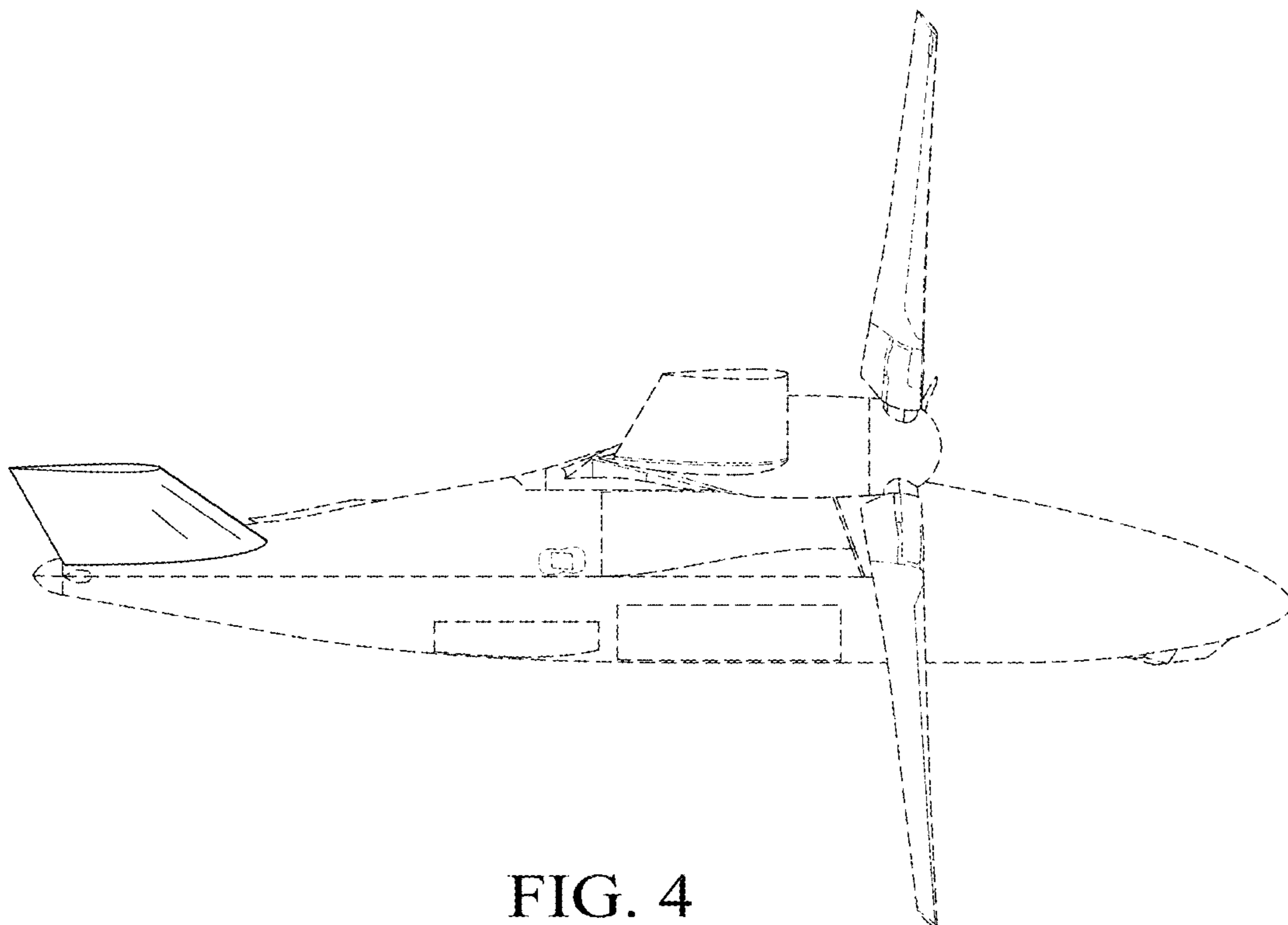


FIG. 4

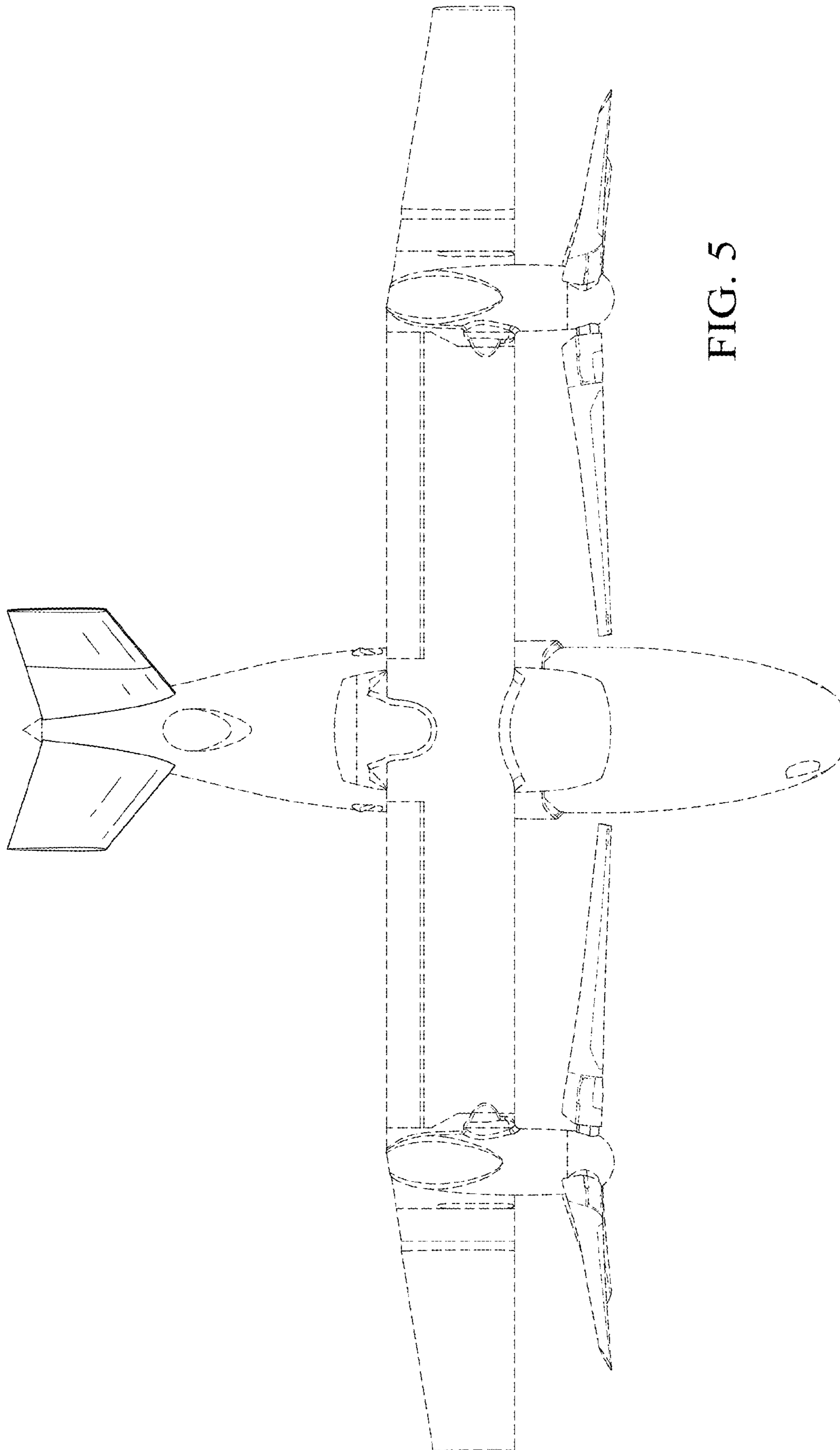


FIG. 5

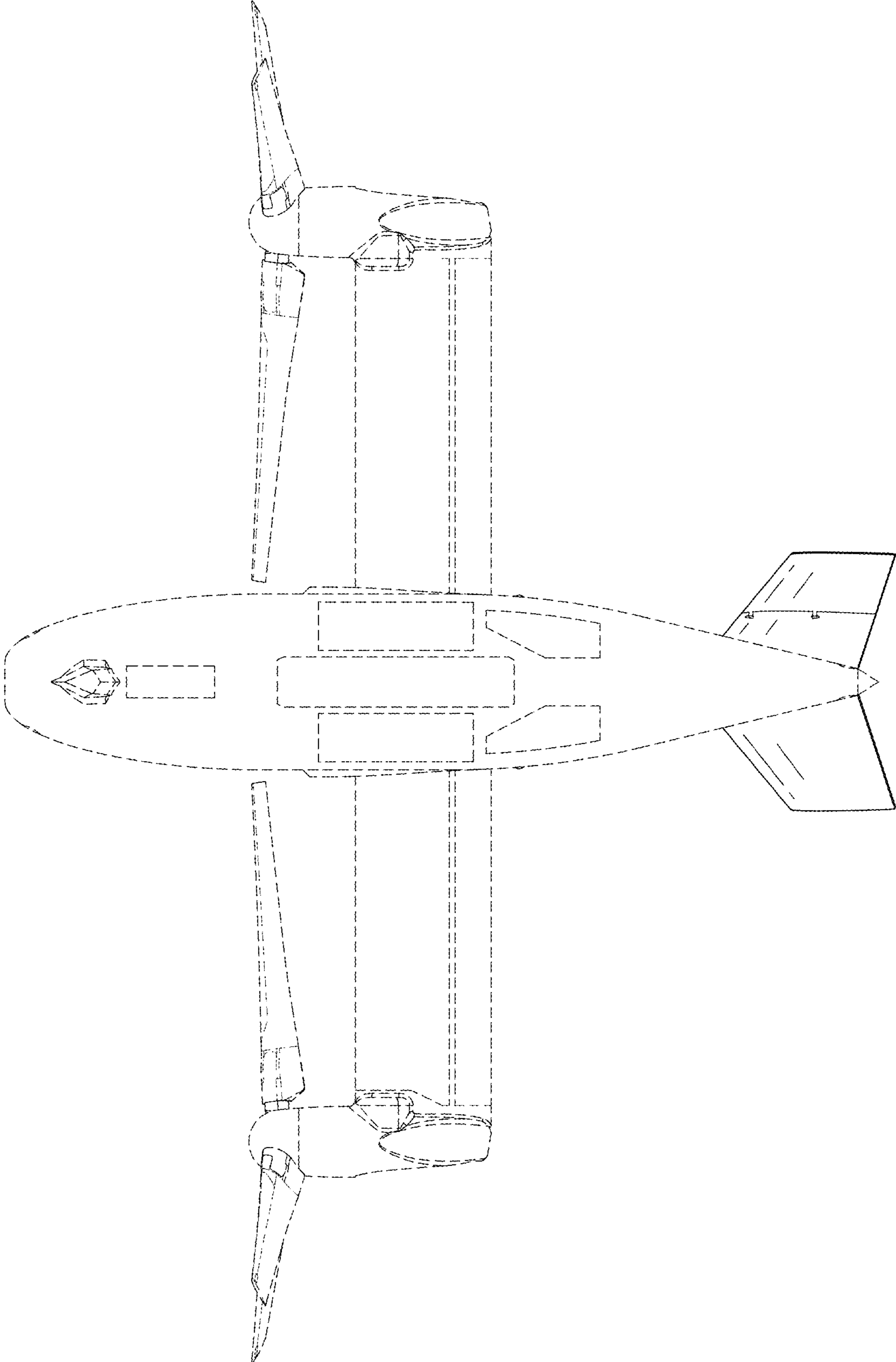


FIG. 6

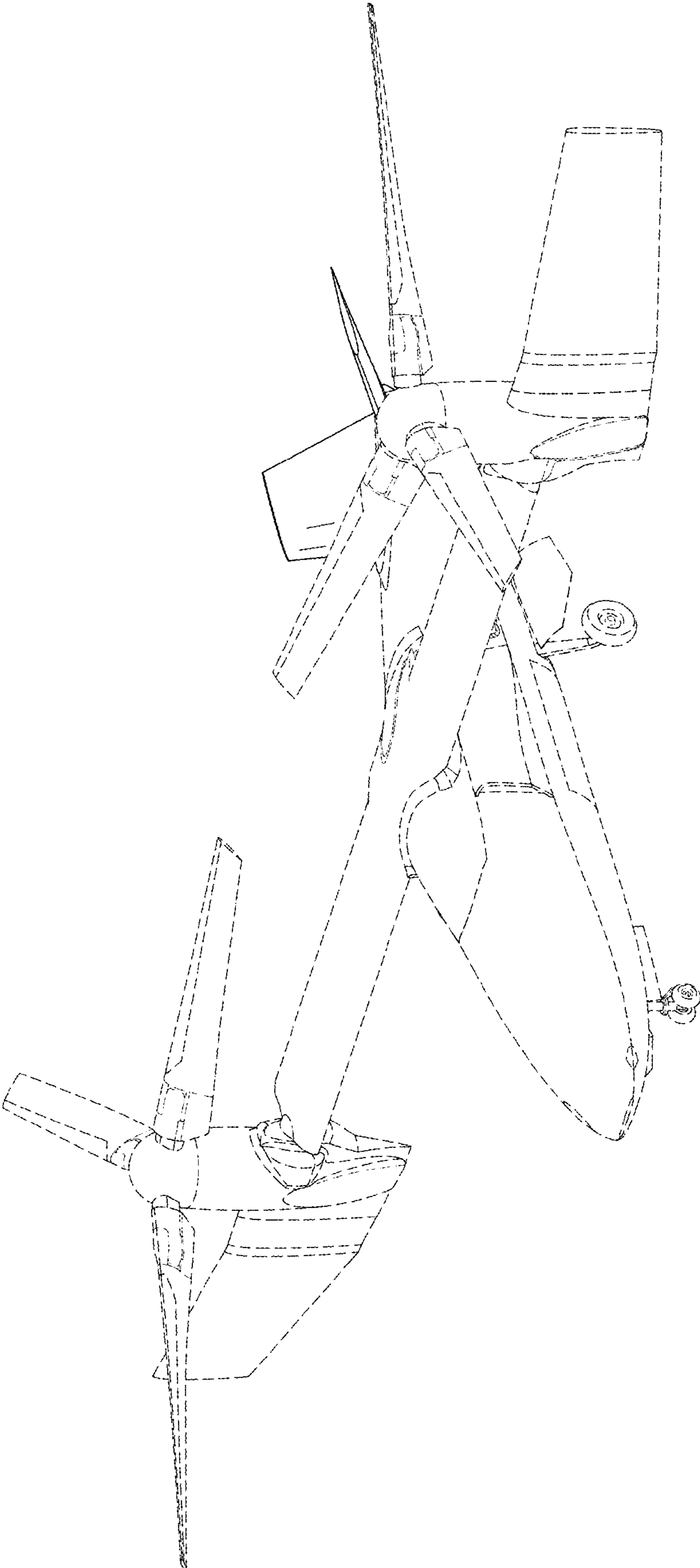


FIG. 7

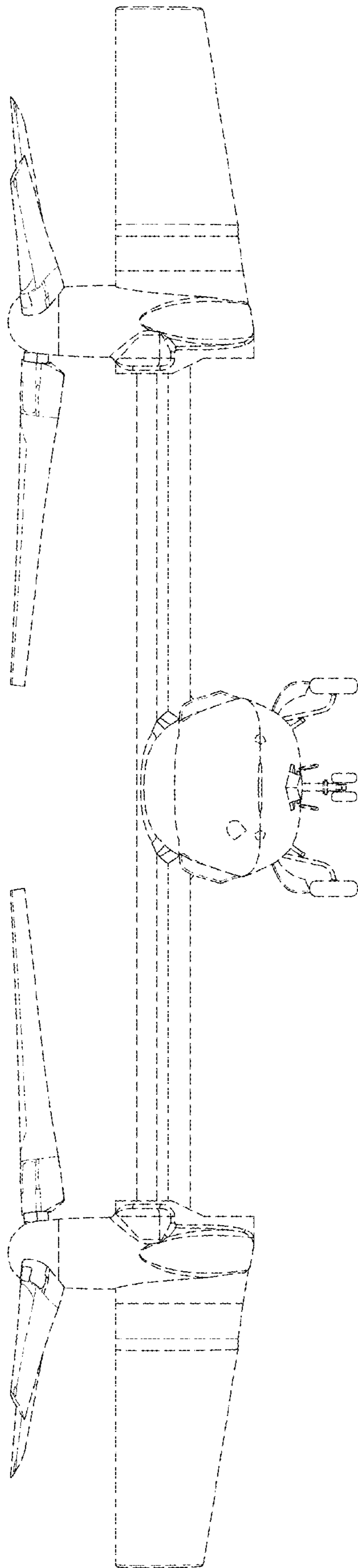


FIG. 8

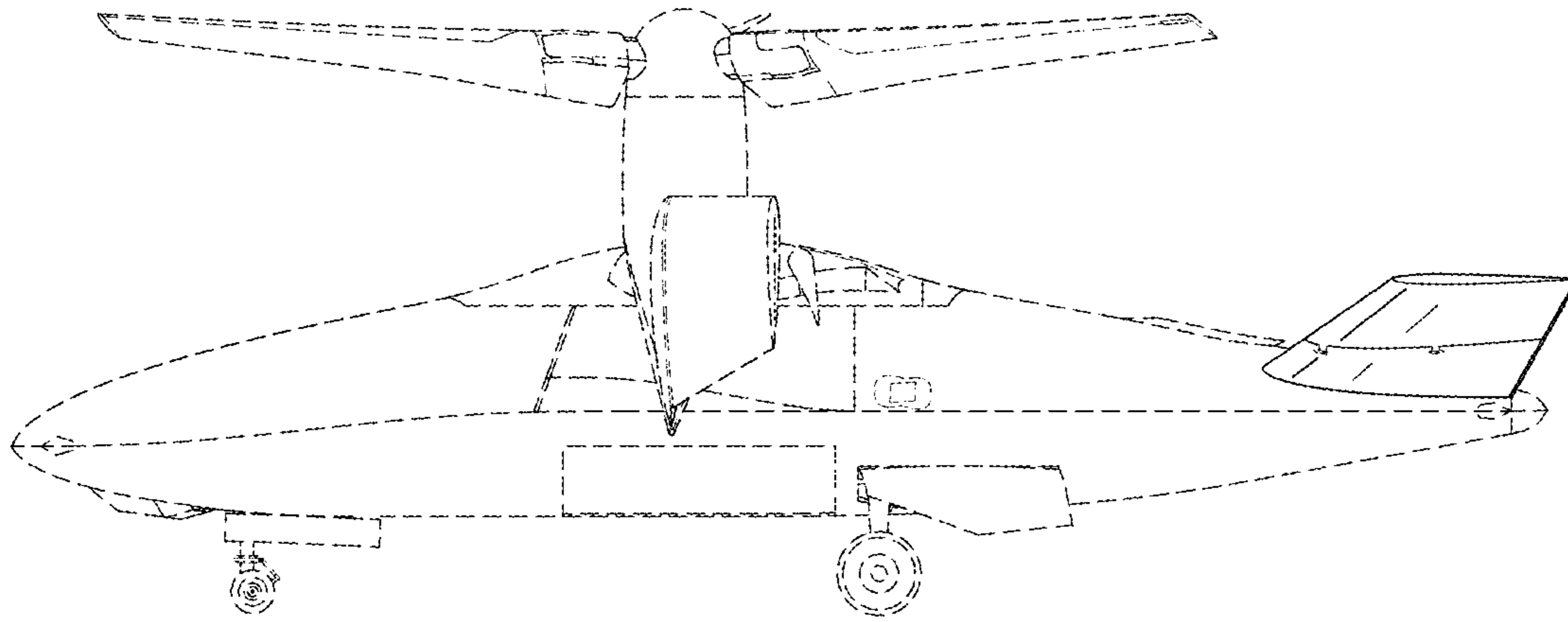


FIG. 9

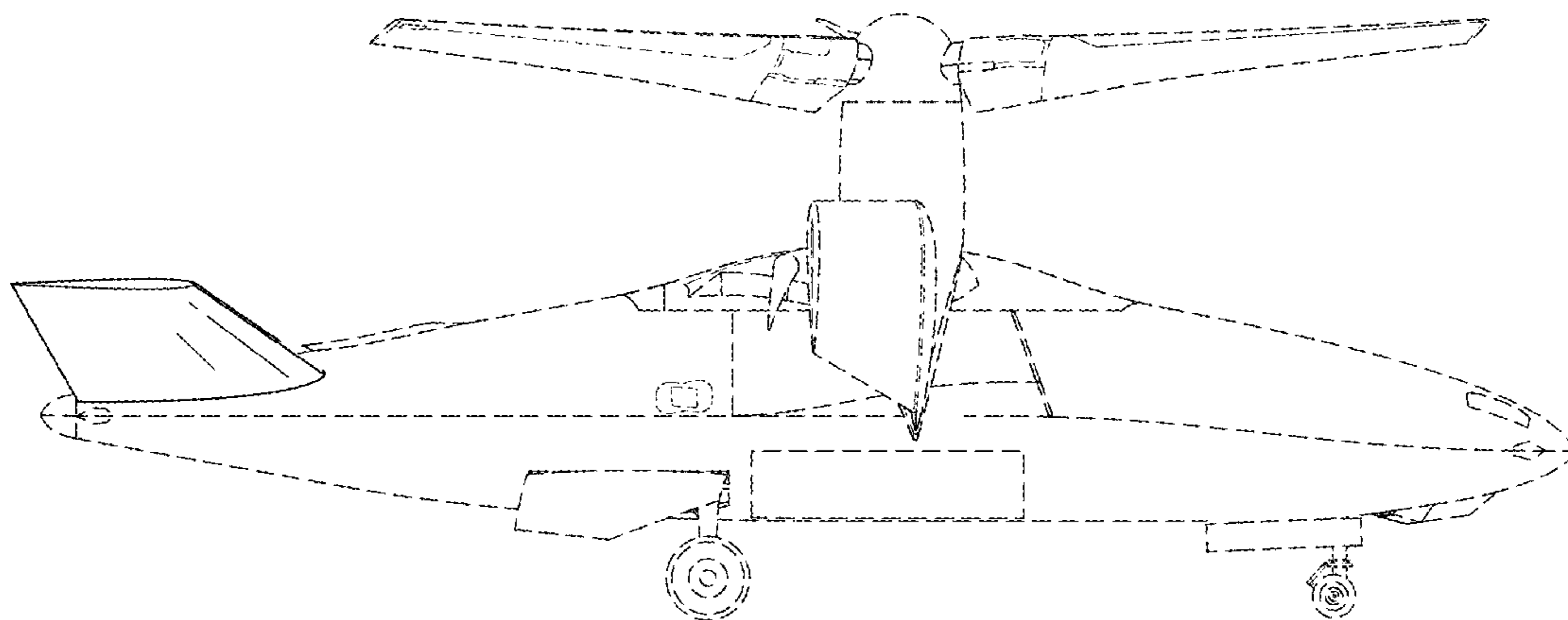


FIG. 10

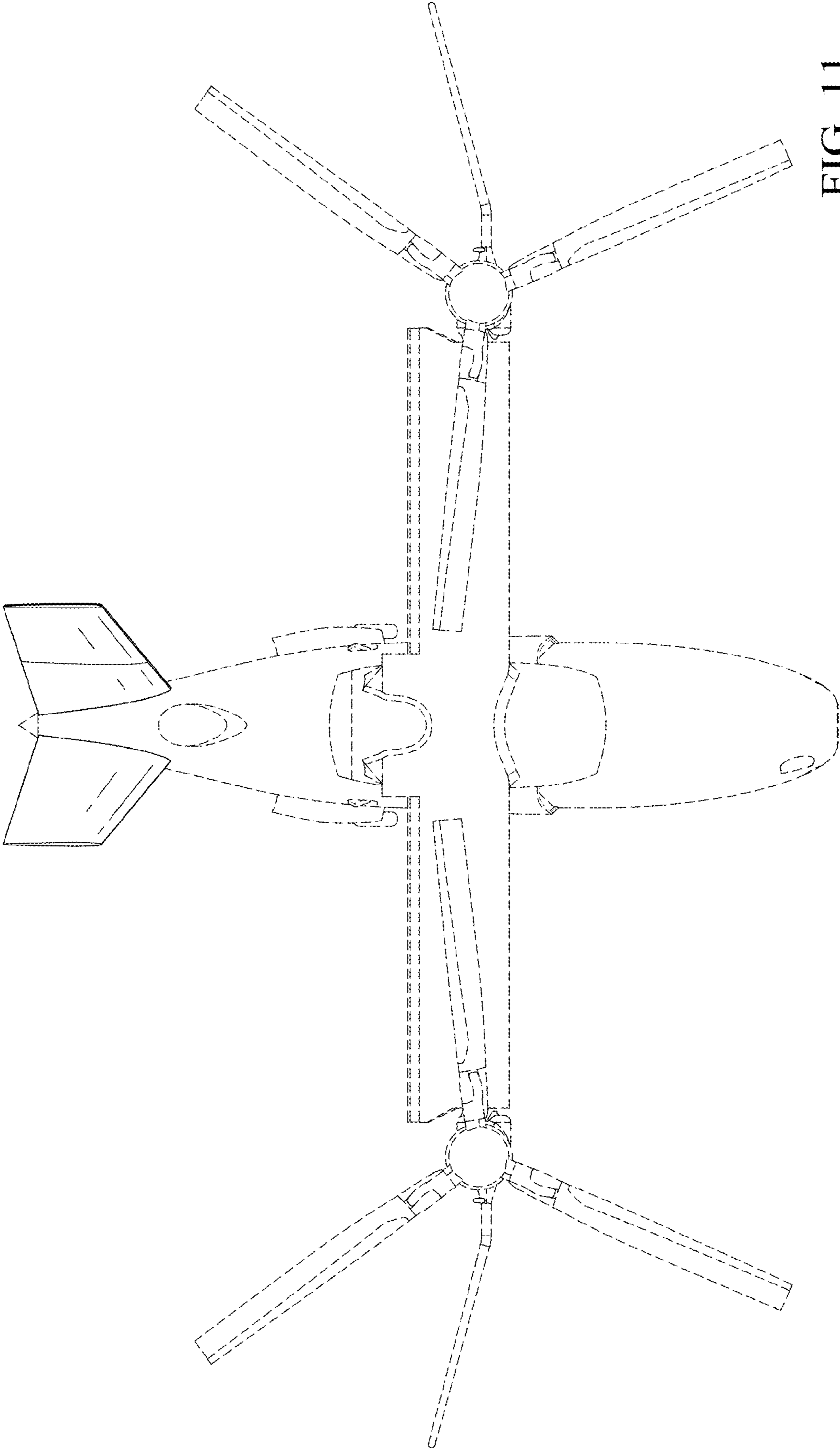


FIG. 11

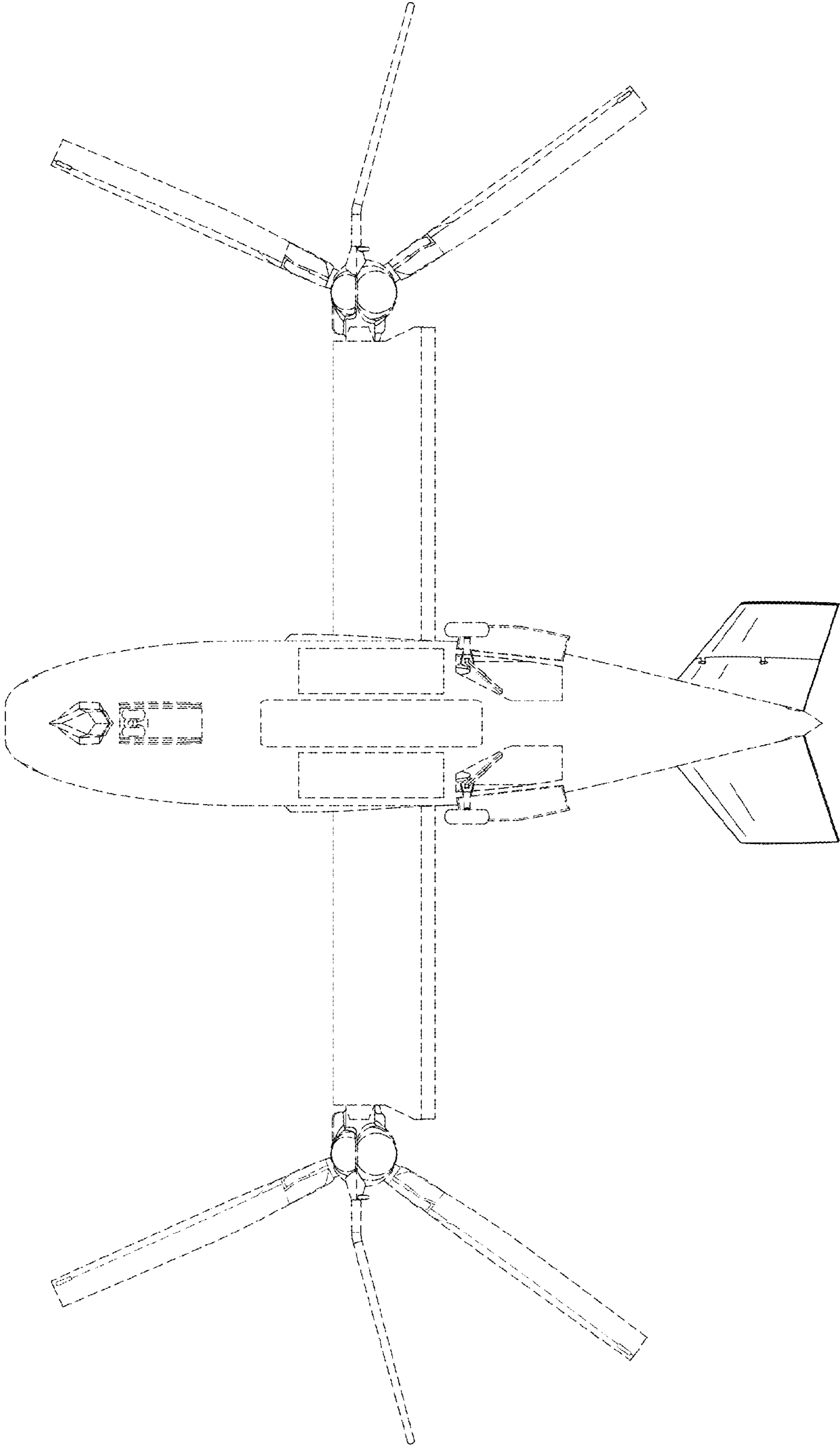


FIG. 12

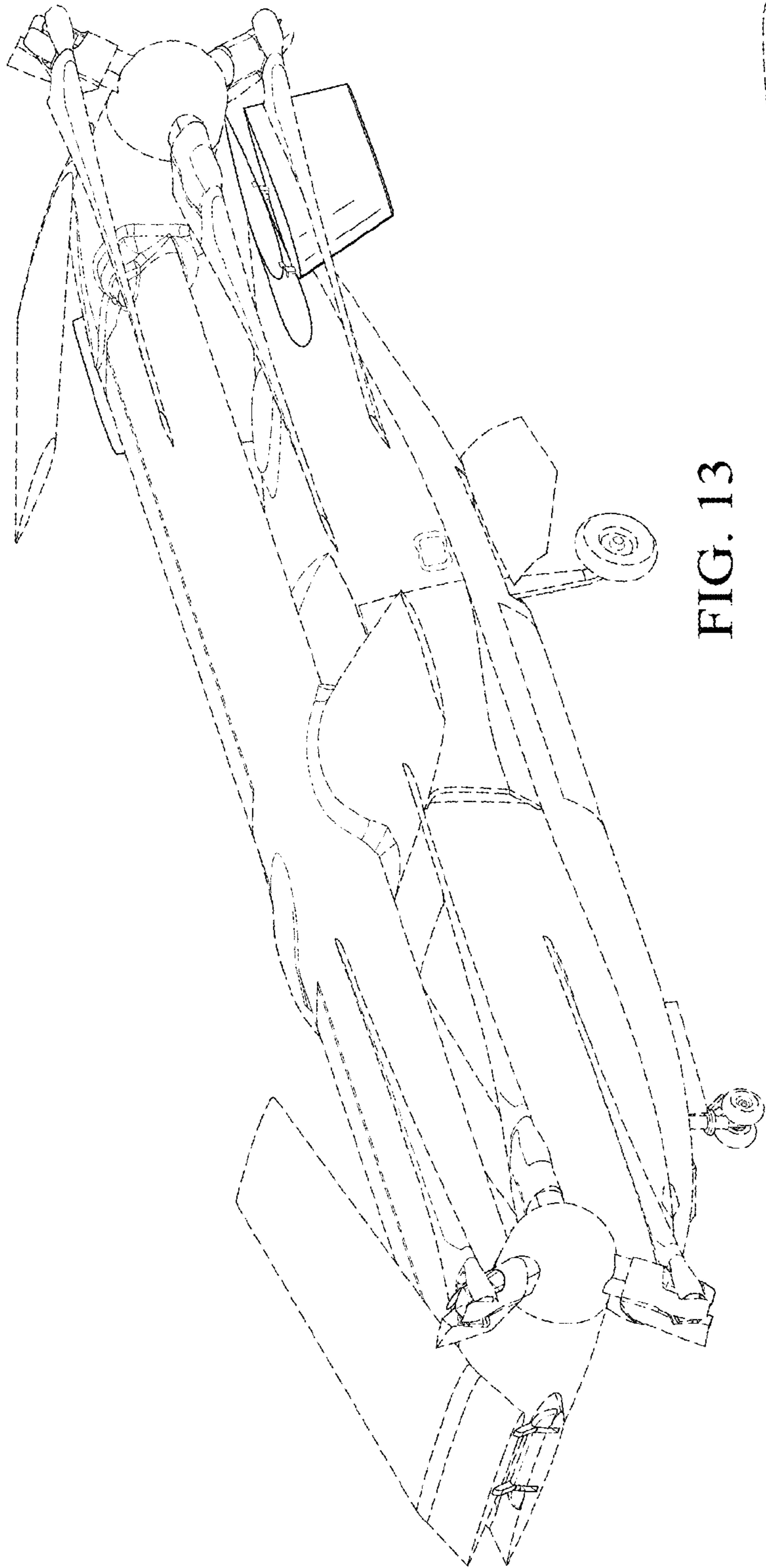


FIG. 13

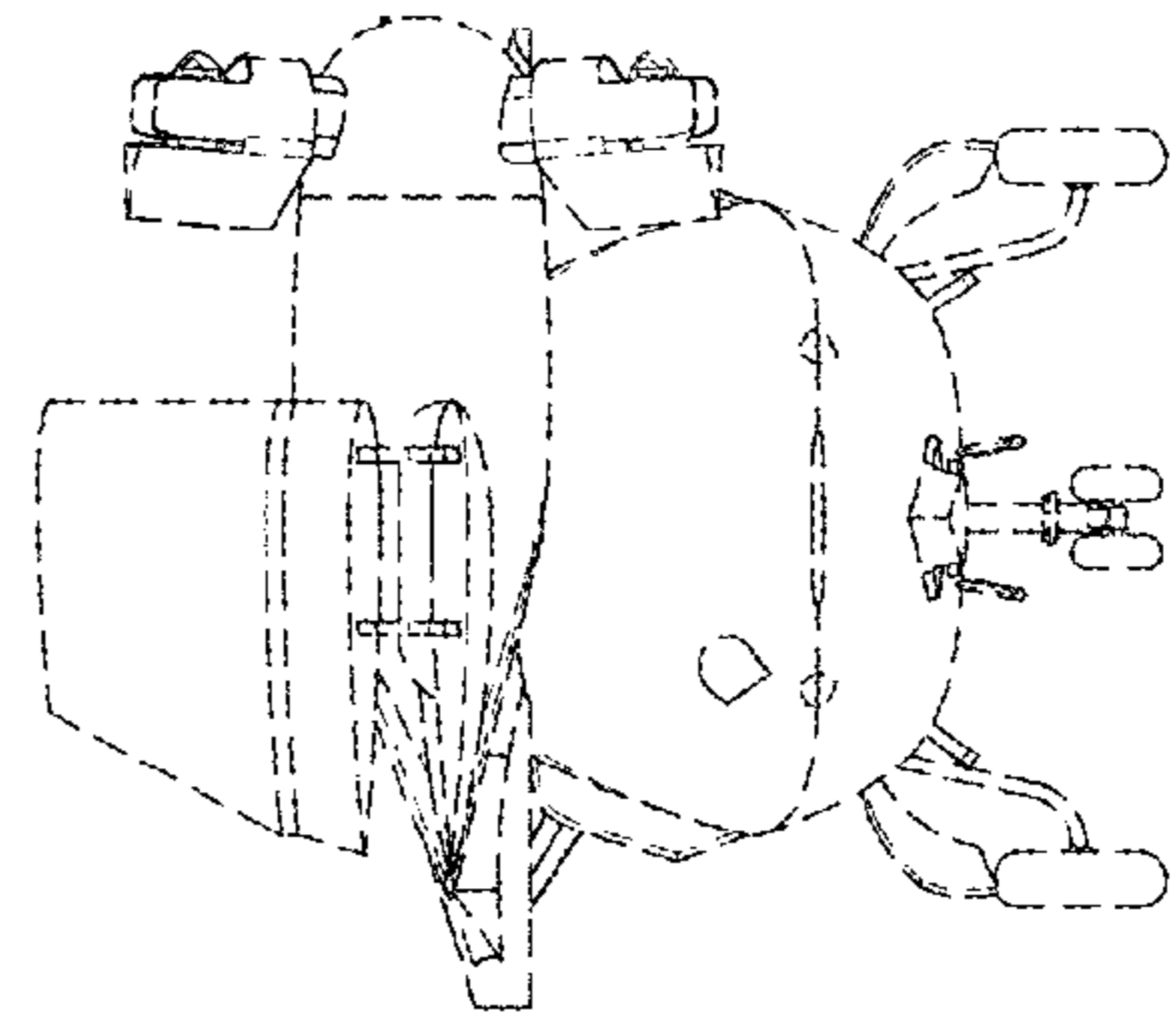


FIG. 14

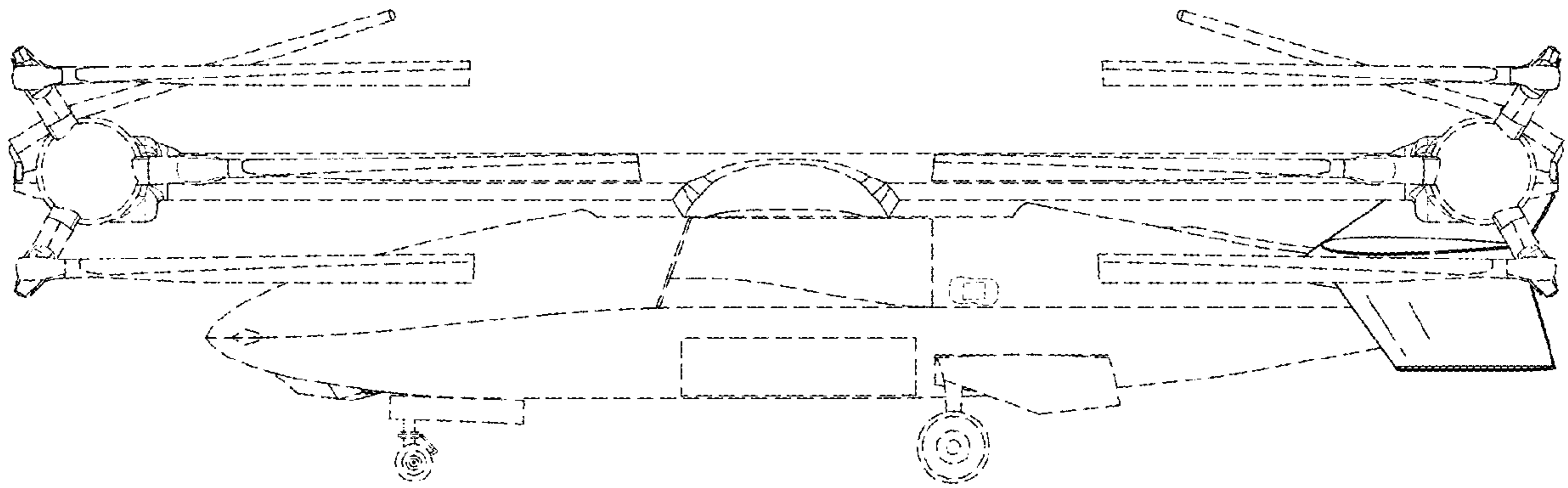


FIG. 15

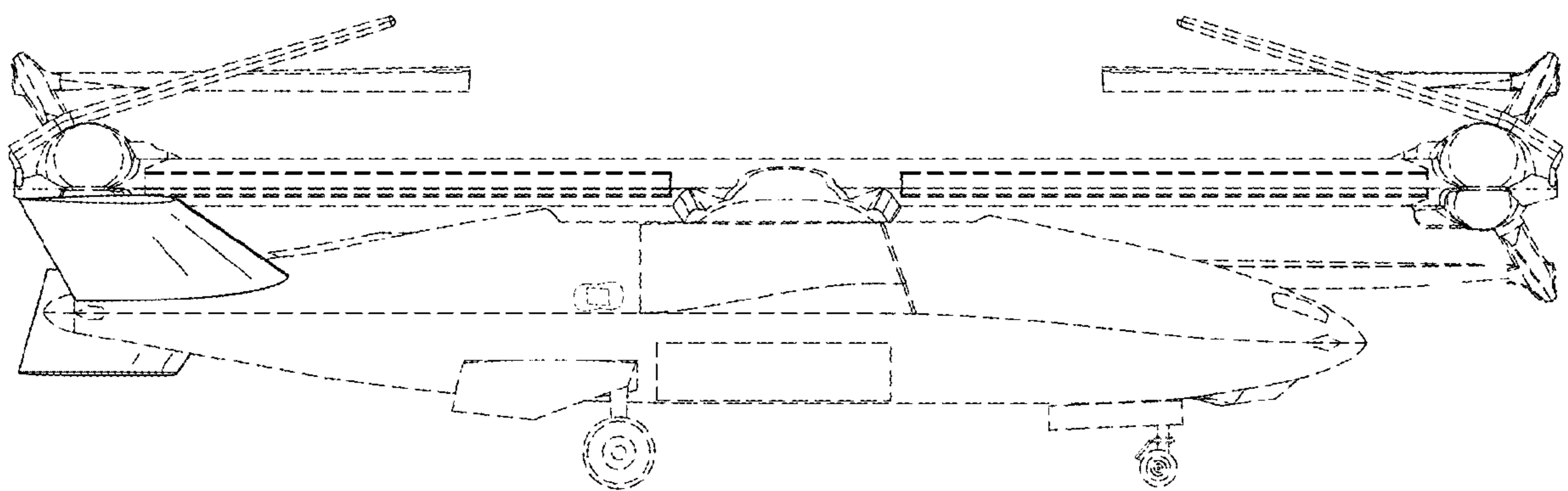


FIG. 16

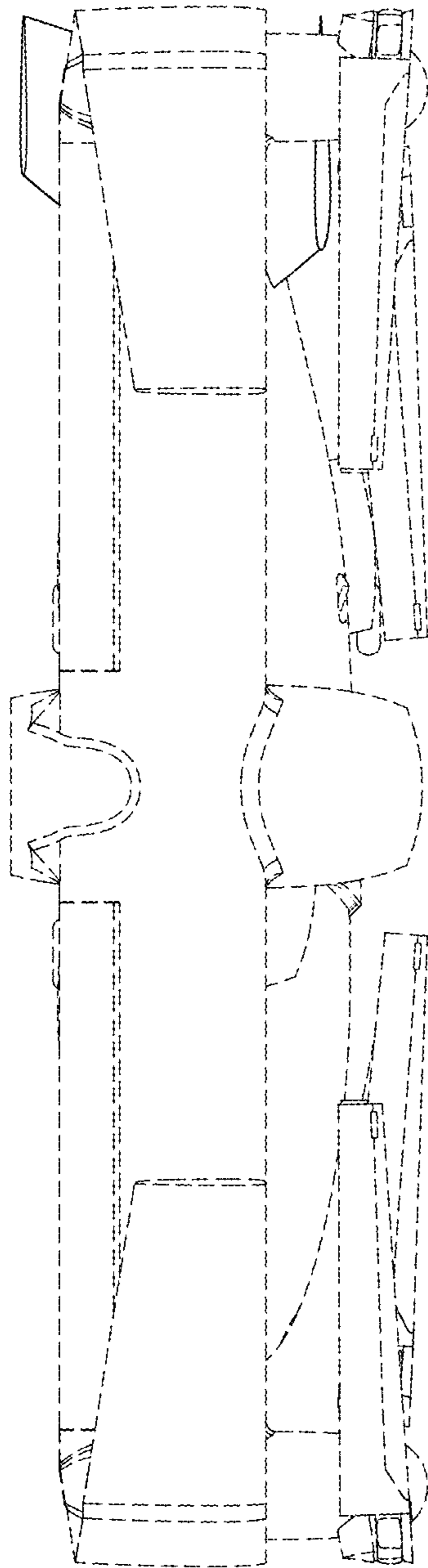


FIG. 17

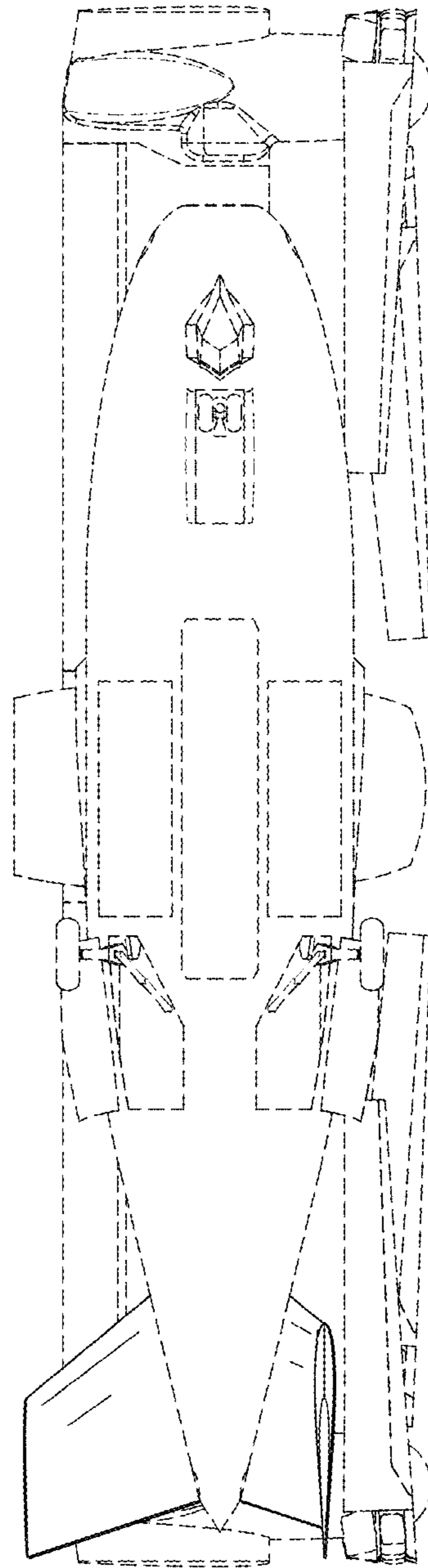


FIG. 18