



US00D870638S

(12) **United States Design Patent** (10) **Patent No.:** **US D870,638 S**  
**Kuanliang et al.** (45) **Date of Patent:** **\*\* Dec. 24, 2019**

(54) **UNMANNED AERIAL VEHICLE** 4,848,704 A \* 7/1989 Sams ..... A63H 27/08  
 244/153 A  
 (71) Applicant: **HG ROBOTICS COMPANY** D628,658 S \* 12/2010 Wurm ..... D21/442  
**LIMITED**, Bangkok (TH) D678,169 S \* 3/2013 Kennelly ..... D12/319  
 D691,514 S \* 10/2013 Wang ..... D12/16.1  
 (72) Inventors: **Kuankhajohn Kuanliang**, Bangkok 9,051,050 B2 \* 6/2015 Achteplik ..... B64C 27/08  
 (TH); **Rachchapol Jareontananan**, D741,779 S \* 10/2015 Hsiao ..... D12/16.1  
 Bangkok (TH); **Mahisorn Wongphati**, D751,490 S \* 3/2016 Chen ..... D12/16.1  
 Bangkok (TH) D751,491 S \* 3/2016 Chen ..... D12/16.1  
 D759,764 S \* 6/2016 Lai ..... D12/16.1  
 D768,539 S \* 10/2016 Lee ..... D12/16.1  
 (73) Assignee: **HG Robotics Company Limited**, D768,789 S \* 10/2016 Fargeau ..... D12/16.1  
 Bangkok (TH) D772,991 S \* 11/2016 Caubel ..... D12/16.1  
 D780,062 S \* 2/2017 Wu ..... D12/16.1  
 (\*\*) Term: **15 Years** D795,784 S \* 8/2017 Guo ..... D12/328  
 9,764,835 B1 \* 9/2017 Kimchi ..... B64C 39/024  
 D798,961 S \* 10/2017 Li ..... D21/441  
 D798,962 S \* 10/2017 Xiao ..... D21/441  
 D798,963 S \* 10/2017 Xiao ..... D21/441  
 D803,097 S \* 11/2017 Wang ..... D12/16.1

(Continued)

(30) **Foreign Application Priority Data**  
 May 19, 2017 (TH) ..... 1702001826

(51) **LOC (12) Cl.** ..... **12-01**  
 (52) **U.S. Cl.**  
 USPC ..... **D12/328**  
 (58) **Field of Classification Search**  
 USPC ..... D12/319-345, 1-4, 16.1, 214;  
 D21/436-454; D30/160  
 CPC ..... B64C 29/0025; B64C 2201/108; B64C  
 2201/048; B64C 2201/088; B64C 29/00;  
 B64C 29/0058; B64C 39/001; B64C  
 39/024; B64C 39/062; B64C 2201/141;  
 B64C 27/12  
 See application file for complete search history.

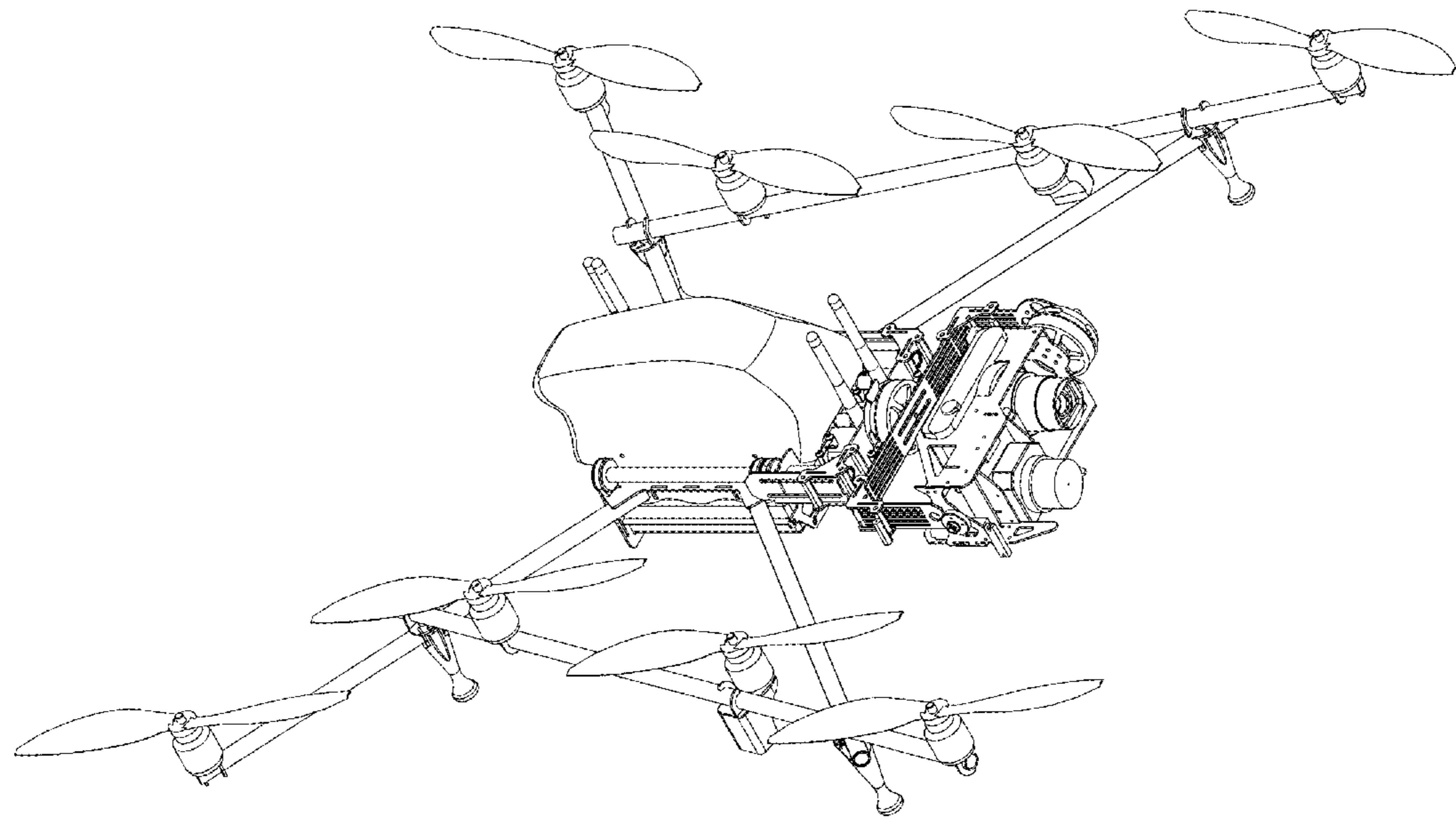
(56) **References Cited**  
 U.S. PATENT DOCUMENTS  
 3,881,729 A \* 5/1975 Block ..... A63B 65/08  
 416/199  
 D253,604 S \* 12/1979 Kupperman ..... D21/453

*Primary Examiner* — Marissa J Cash  
 (74) *Attorney, Agent, or Firm* — Rosenberg, Klein & Lee

(57) **CLAIM**  
 The ornamental design for an unmanned aerial vehicle, as shown and described.

**DESCRIPTION**  
 FIG. 1 is a perspective view of the unmanned aerial vehicle;  
 FIG. 2 is a top view of the unmanned aerial vehicle;  
 FIG. 3 is a bottom view of the unmanned aerial vehicle;  
 FIG. 4 is a right view of the unmanned aerial vehicle;  
 FIG. 5 is a left view of the unmanned aerial vehicle;  
 FIG. 6 is a front view of the unmanned aerial vehicle; and,  
 FIG. 7 is a rear view of the unmanned aerial vehicle.  
 The broken lines in the drawings depict portions of the unmanned aerial vehicle which form no part of the claimed design.

**1 Claim, 7 Drawing Sheets**



(56)

**References Cited**

## U.S. PATENT DOCUMENTS

D805,425 S \* 12/2017 Hanscom ..... D11/202  
D808,860 S \* 1/2018 Tian ..... D12/16.1  
9,868,524 B2 \* 1/2018 Welsh ..... B64C 39/024  
D809,992 S \* 2/2018 Hu ..... D12/328  
D814,385 S \* 4/2018 Zhao ..... D12/328  
D814,971 S \* 4/2018 Huang ..... D12/16.1  
D814,972 S \* 4/2018 Ahn ..... D12/16.1  
D816,547 S \* 5/2018 Cui ..... D12/16.1  
D816,582 S \* 5/2018 Liang ..... D12/328  
9,963,228 B2 \* 5/2018 McCullough ..... B64C 29/0033  
D819,749 S \* 6/2018 Caubel ..... D21/449  
10,005,556 B2 \* 6/2018 Rastgaar Aagaah .....  
B64C 39/024  
10,035,597 B2 \* 7/2018 Desrochers ..... B64D 1/08  
10,053,213 B1 \* 8/2018 Tu ..... B64C 29/0025  
10,086,937 B2 \* 10/2018 Matsue ..... B64C 39/024  
10,131,426 B2 \* 11/2018 Judas ..... B64C 29/0025  
10,139,837 B2 \* 11/2018 Qin ..... B64C 39/024  
10,160,541 B1 \* 12/2018 Beckman ..... B64C 39/024  
10,192,538 B2 \* 1/2019 Yamagishi ..... B64C 39/024  
10,220,944 B2 \* 3/2019 McCullough ..... B64C 29/02  
10,220,954 B2 \* 3/2019 Sun ..... B64D 33/08  
10,222,808 B2 \* 3/2019 Bardinet ..... B64C 39/024  
2017/0029099 A1 \* 2/2017 Chen ..... B64C 27/08

\* cited by examiner

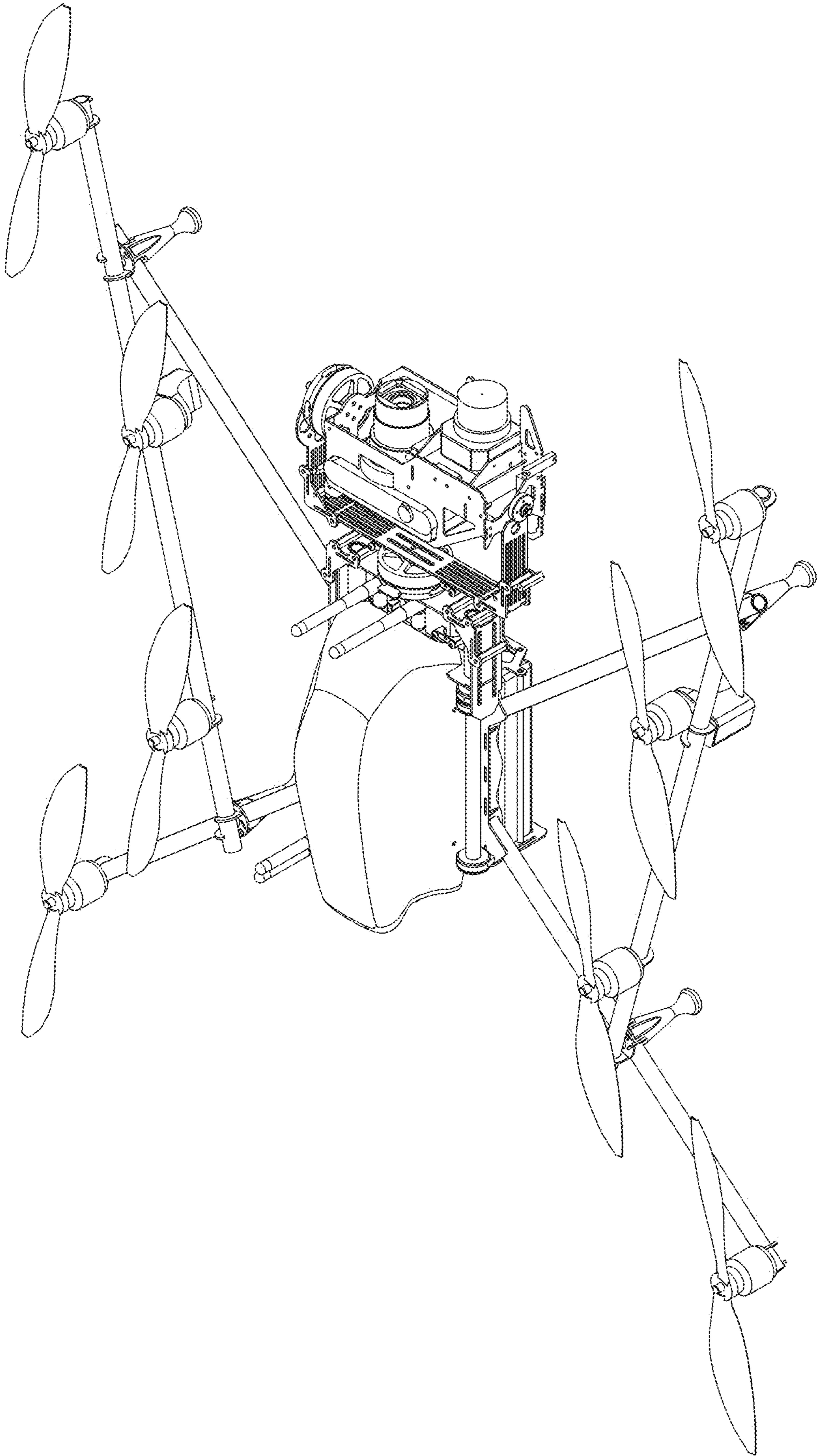


Fig. 1

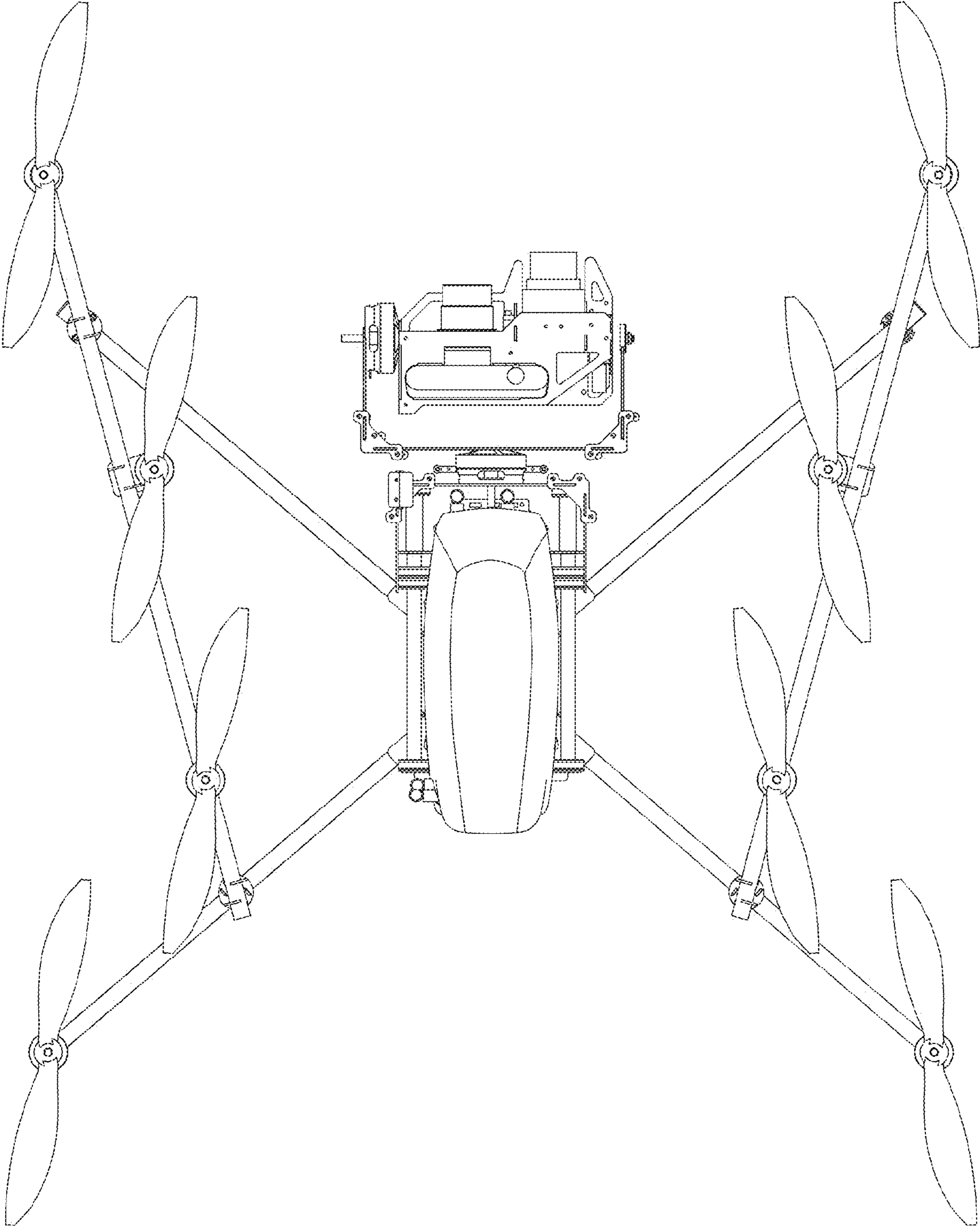


Fig. 2

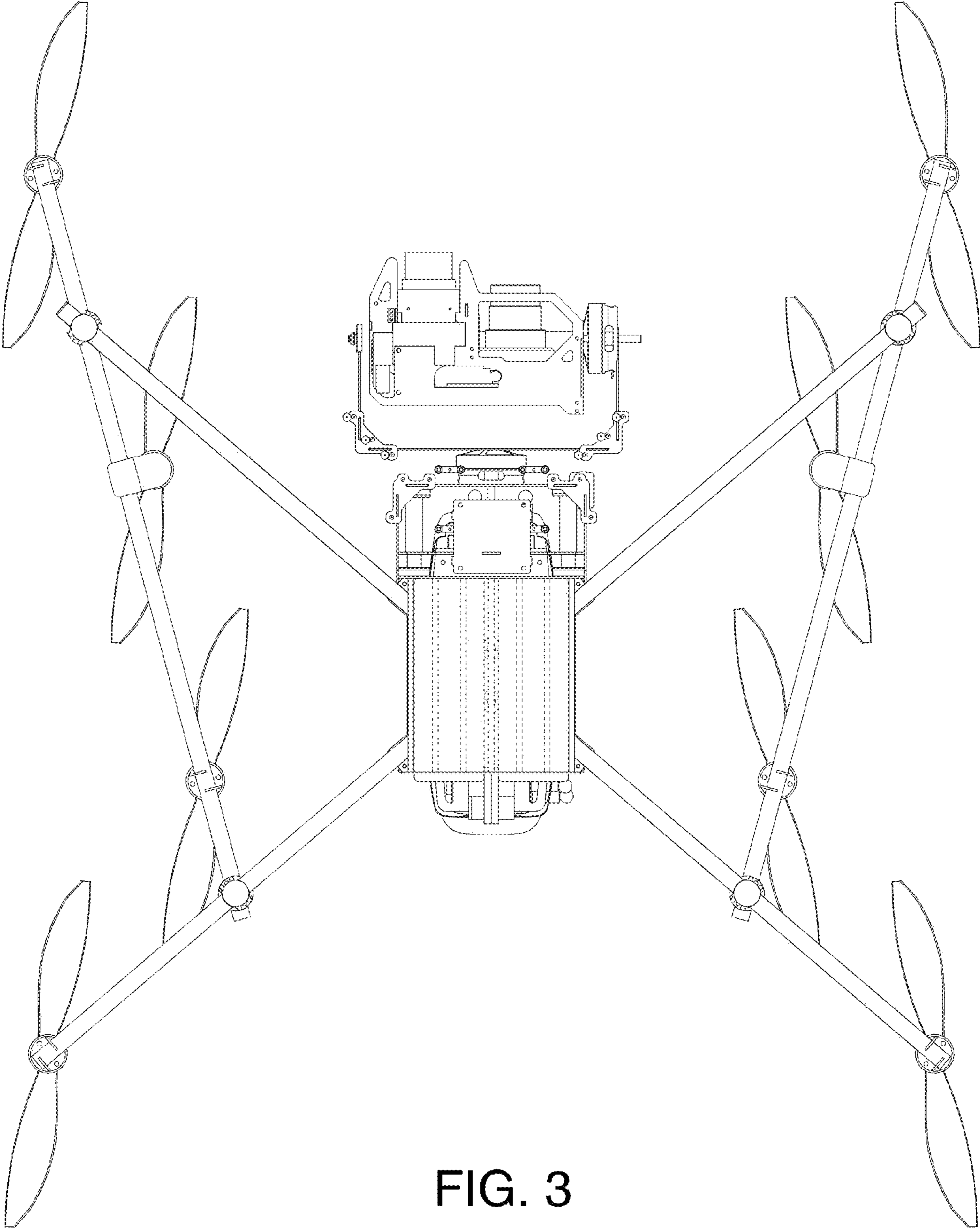


FIG. 3

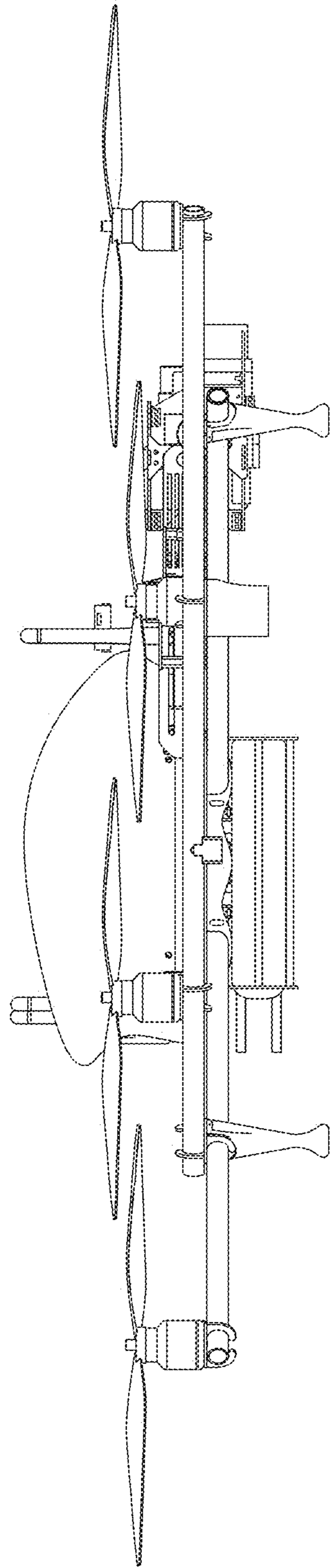


Fig. 4

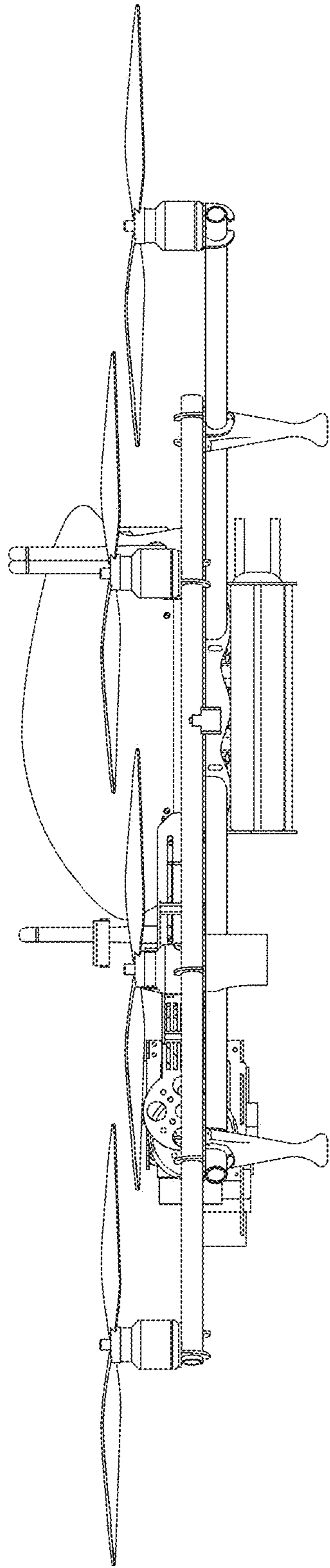


Fig. 5

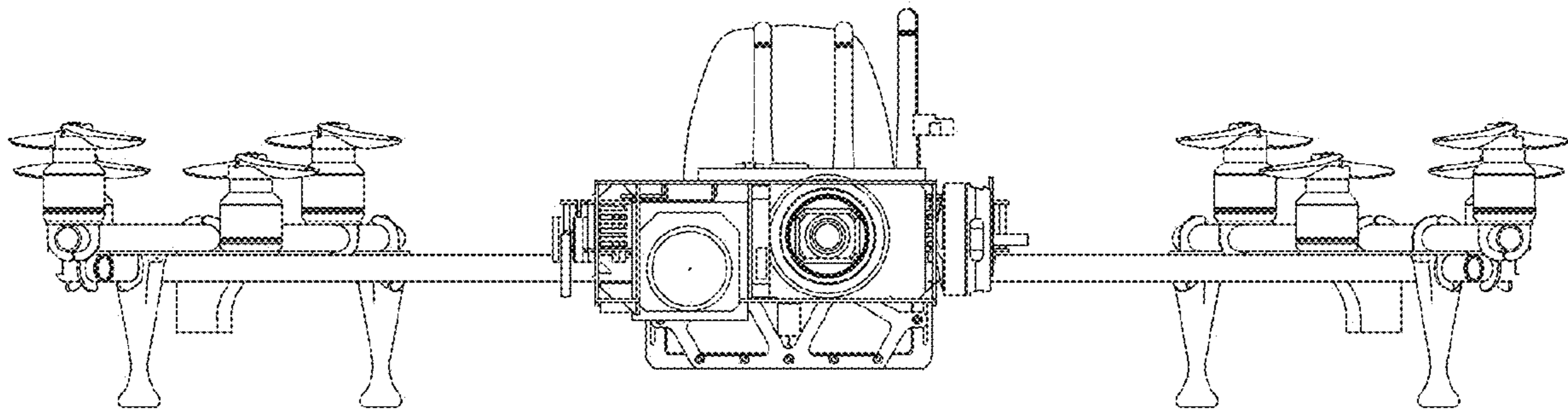


Fig. 6



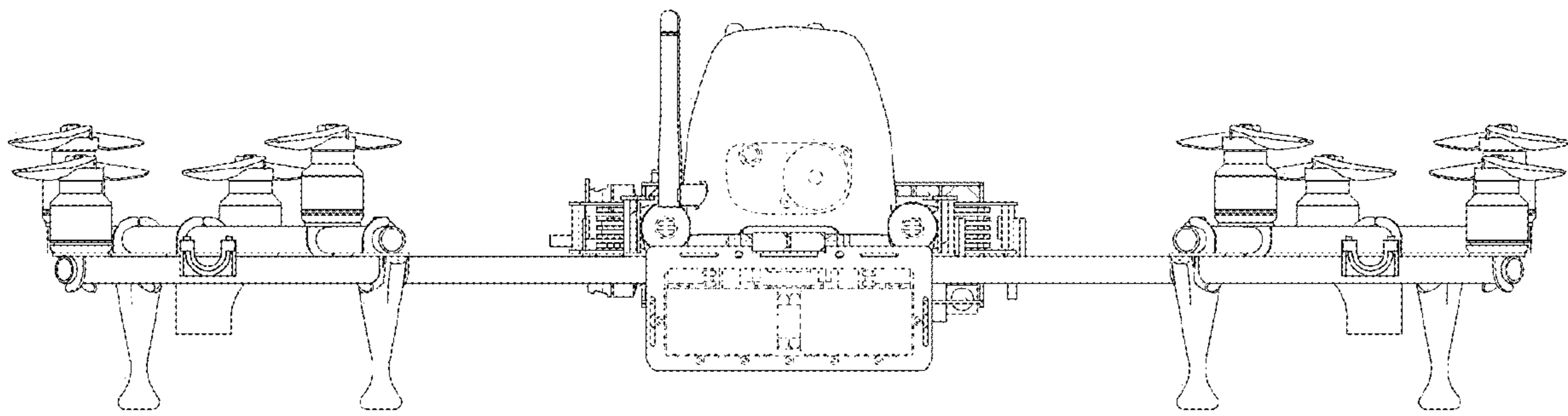


FIG. 7