



US00D870636S

(12) **United States Design Patent** (10) **Patent No.:** **US D870,636 S**
Boykin (45) **Date of Patent:** **** Dec. 24, 2019**

(54) **BOAT GAUGE COVER**

(71) Applicant: **Ashton Clark Boykin**, Mobile, AL
(US)

(72) Inventor: **Ashton Clark Boykin**, Mobile, AL
(US)

(**) Term: **15 Years**

(21) Appl. No.: **29/626,984**

(22) Filed: **Nov. 21, 2017**

(51) **LOC (12) Cl.** **12-06**

(52) **U.S. Cl.**
USPC **D12/317; D10/103**

(58) **Field of Classification Search**
USPC D12/192, 317; D10/101, 102, 103;
D14/125, 250, 345, 440; 180/90
CPC B60K 35/00; B60K 37/00; B60K 37/02;
B60K 37/04; B60K 37/06
See application file for complete search history.

(56) **References Cited**

U.S. PATENT DOCUMENTS

D210,881 S *	4/1968	Meunier	D10/103
4,253,537 A *	3/1981	Intveld	B60K 37/00
				180/90
D365,529 S *	12/1995	Peroni	D10/103
D374,830 S *	10/1996	Dexter	D10/103
D383,990 S *	9/1997	Ropponen	D10/103
D394,017 S *	5/1998	Liao	D10/103
D614,058 S *	4/2010	Kelly	D10/103
D660,834 S *	5/2012	Akana	D14/314
D694,233 S *	11/2013	Hoofnagle	D14/356
D719,153 S *	12/2014	Lim	D14/356
D743,359 S *	11/2015	Tatem	D14/125
D811,484 S *	2/2018	Sumii	D21/332
D835,085 S *	12/2018	Burmeister-Brown	D14/240

OTHER PUBLICATIONS

Yamaha Command Link Gauge Cover, posted on microskiff.com by Aboykin Nov. 24, 2016 [online], [site visited Oct. 1, 2019]. Avail-

able from Internet: <URL:http://https://www.microskiff.com/threads/yamaha-command-link-gauge-cover-new-product.42093/>.*

* cited by examiner

Primary Examiner — Cynthia M. Chin
(74) *Attorney, Agent, or Firm* — AdamsIP, LLC; J. Hunter Adams; Edward Garner

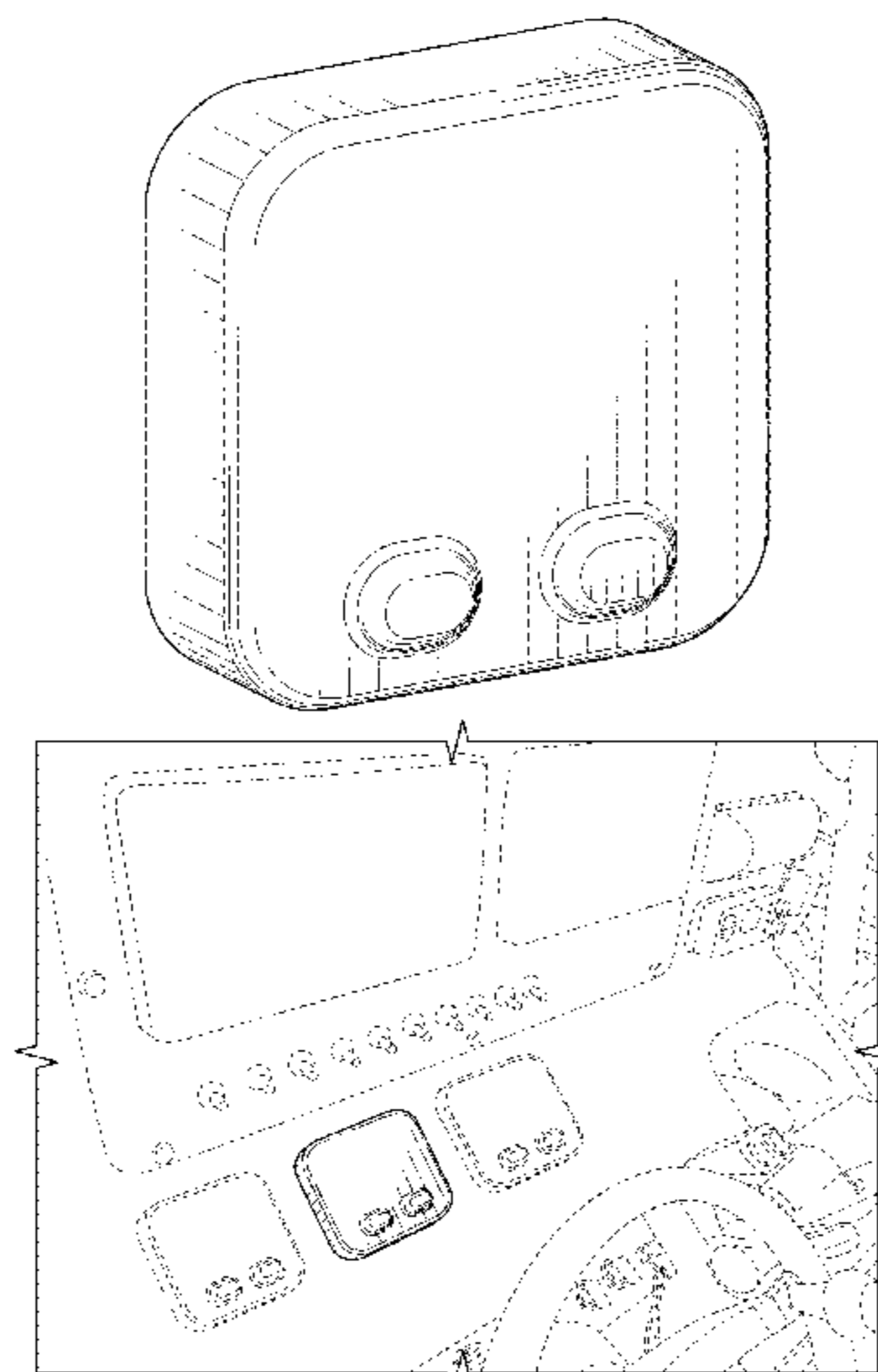
(57) **CLAIM**

What is claimed is the ornamental design for a boat gauge cover, as shown and described.

DESCRIPTION

FIG. 1 illustrates a front view of a boat gauge cover incorporating my new design;
FIG. 2 illustrates a rear view of a boat gauge cover incorporating my new design;
FIG. 3 illustrates a left side view of a boat gauge cover incorporating my new design;
FIG. 4 illustrates a right side view of a boat gauge cover incorporating my new design;
FIG. 5 illustrates a top view of a boat gauge cover incorporating my new design;
FIG. 6 illustrates a bottom view of a boat gauge cover incorporating my new design;
FIG. 7 is a front perspective view of a boat gauge cover incorporating my new design;
FIG. 8 is a rear perspective view of a boat gauge cover incorporating my new design; and,
FIG. 9 is front perspective view of three boat gauge covers of the present design installed on a boat.
The broken lines in the drawings that represent the portions of a boat are for the purpose of illustrating environment that forms no part of the claimed design.

1 Claim, 5 Drawing Sheets



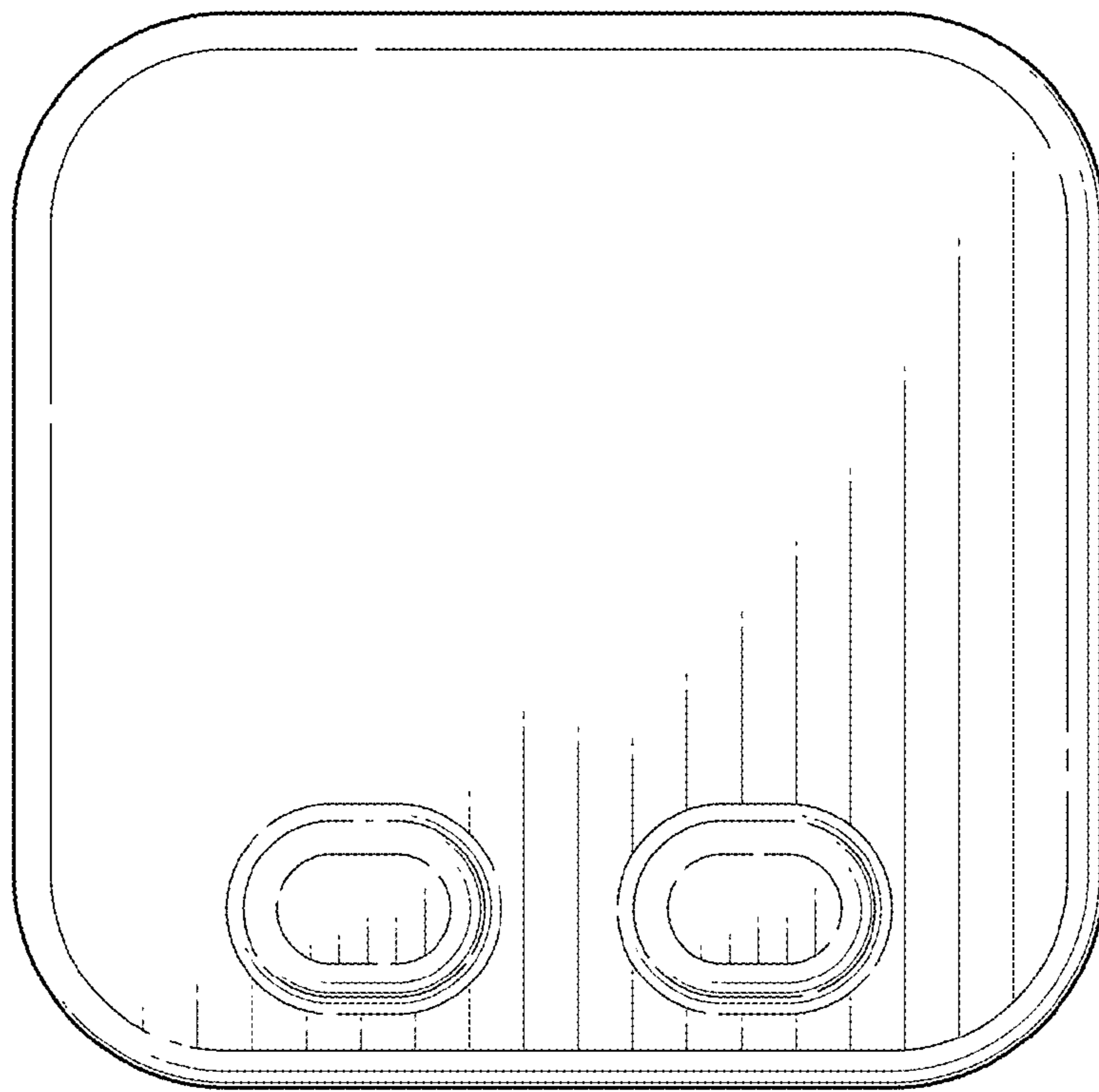


FIG. 1

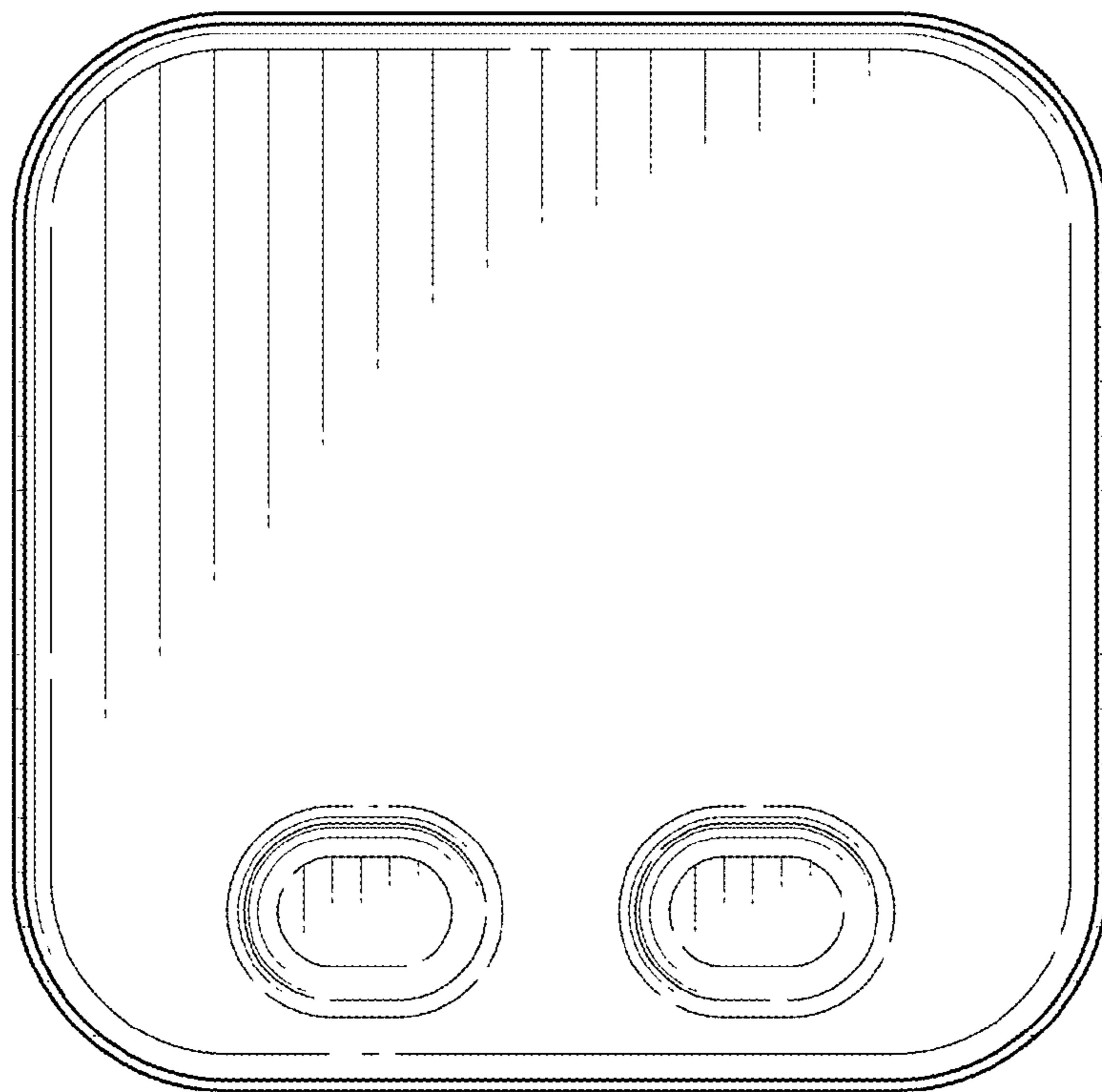


FIG. 2

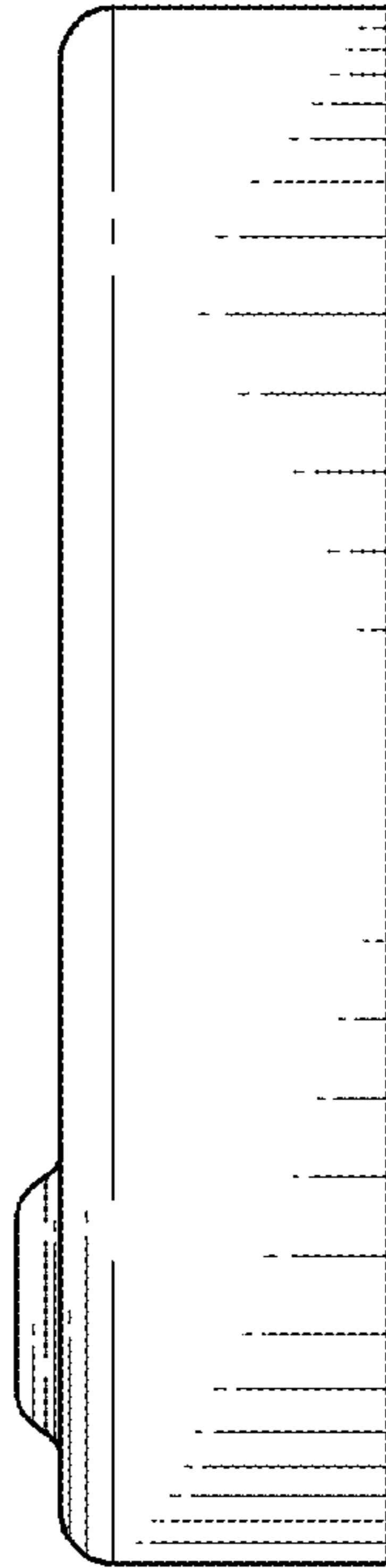


FIG. 3

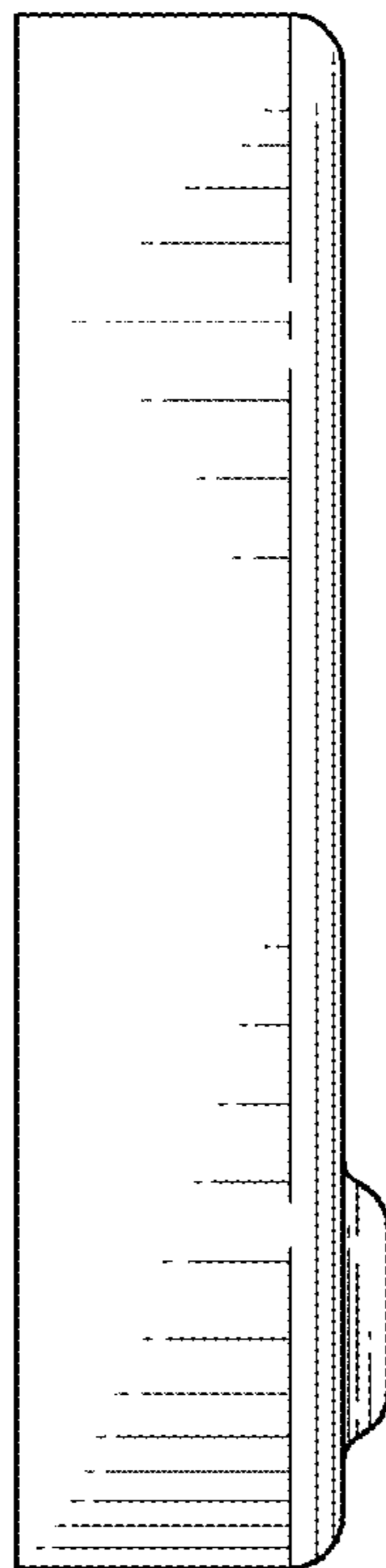


FIG. 4

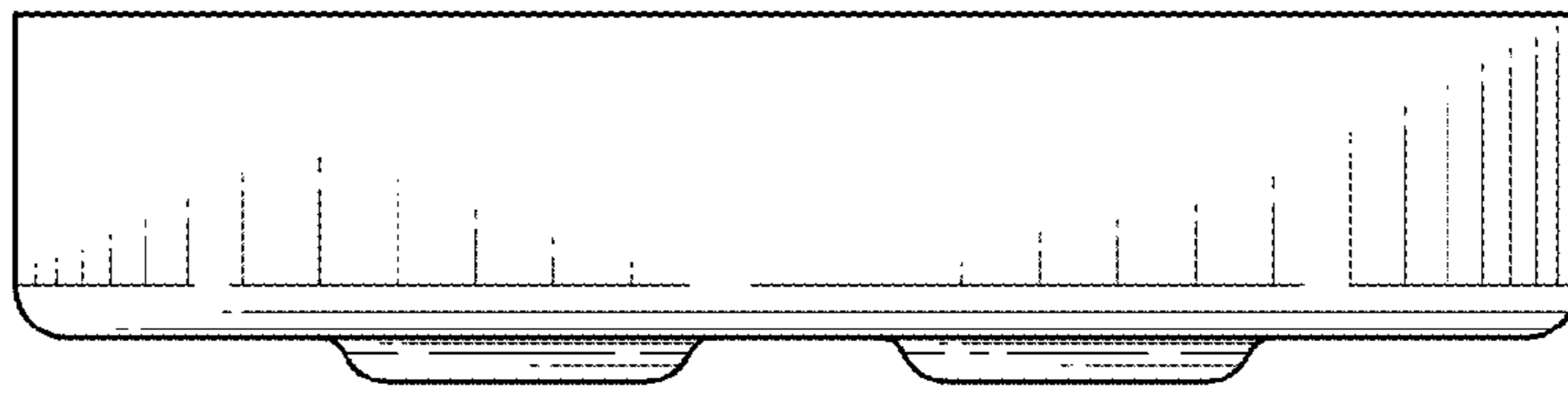


FIG. 5

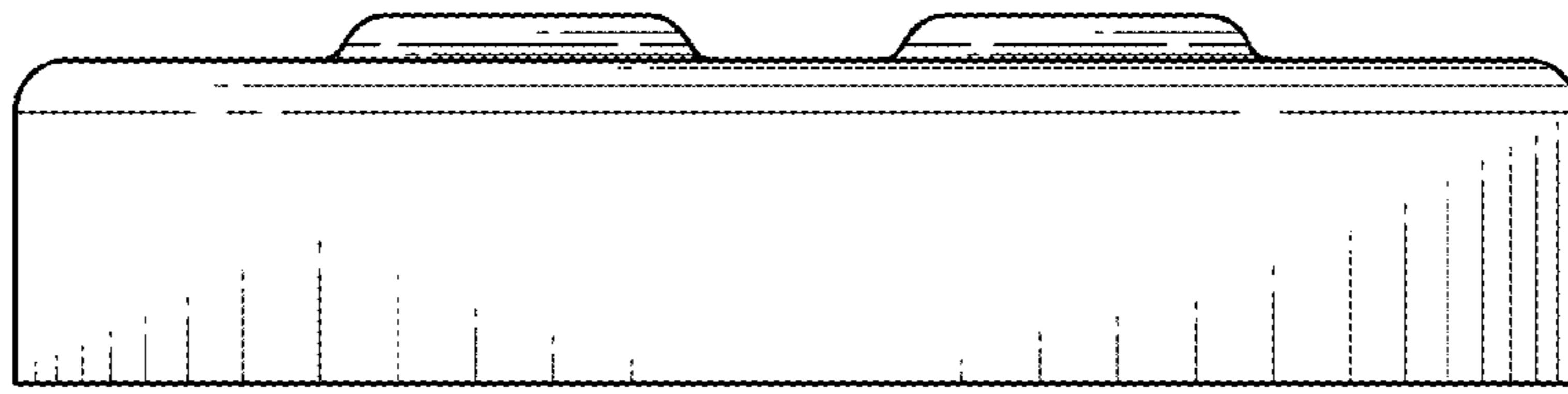


FIG. 6

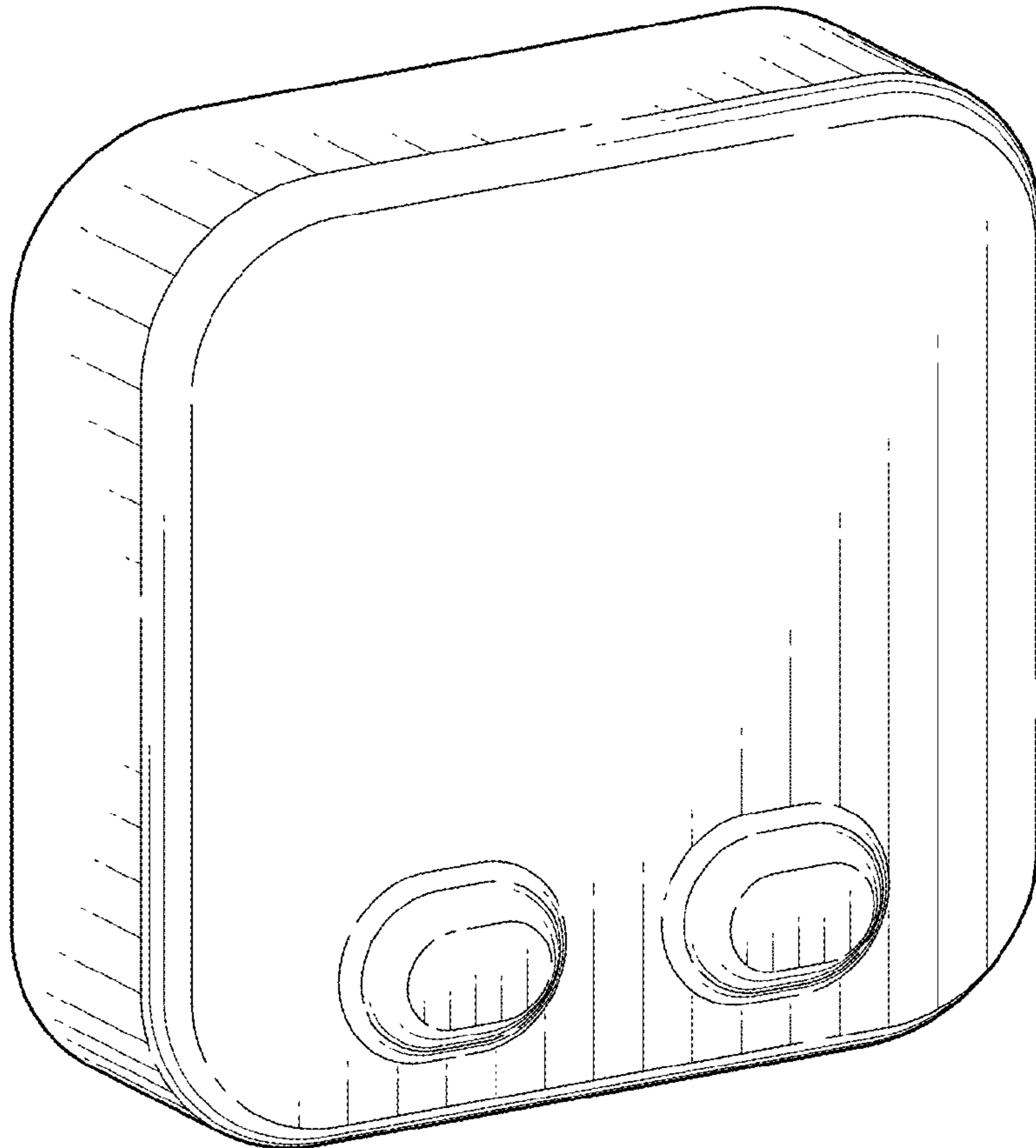


FIG. 7

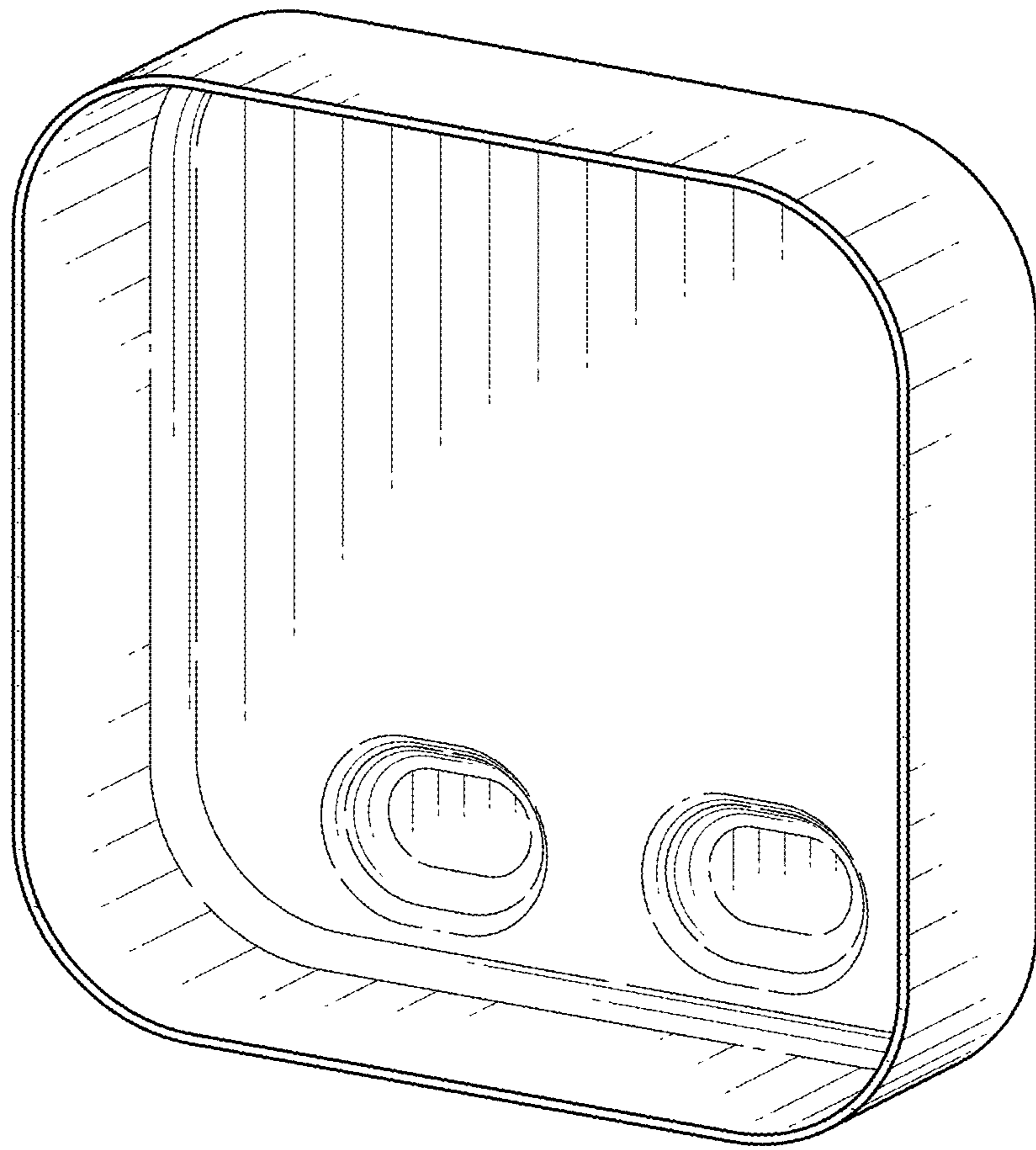


FIG. 8

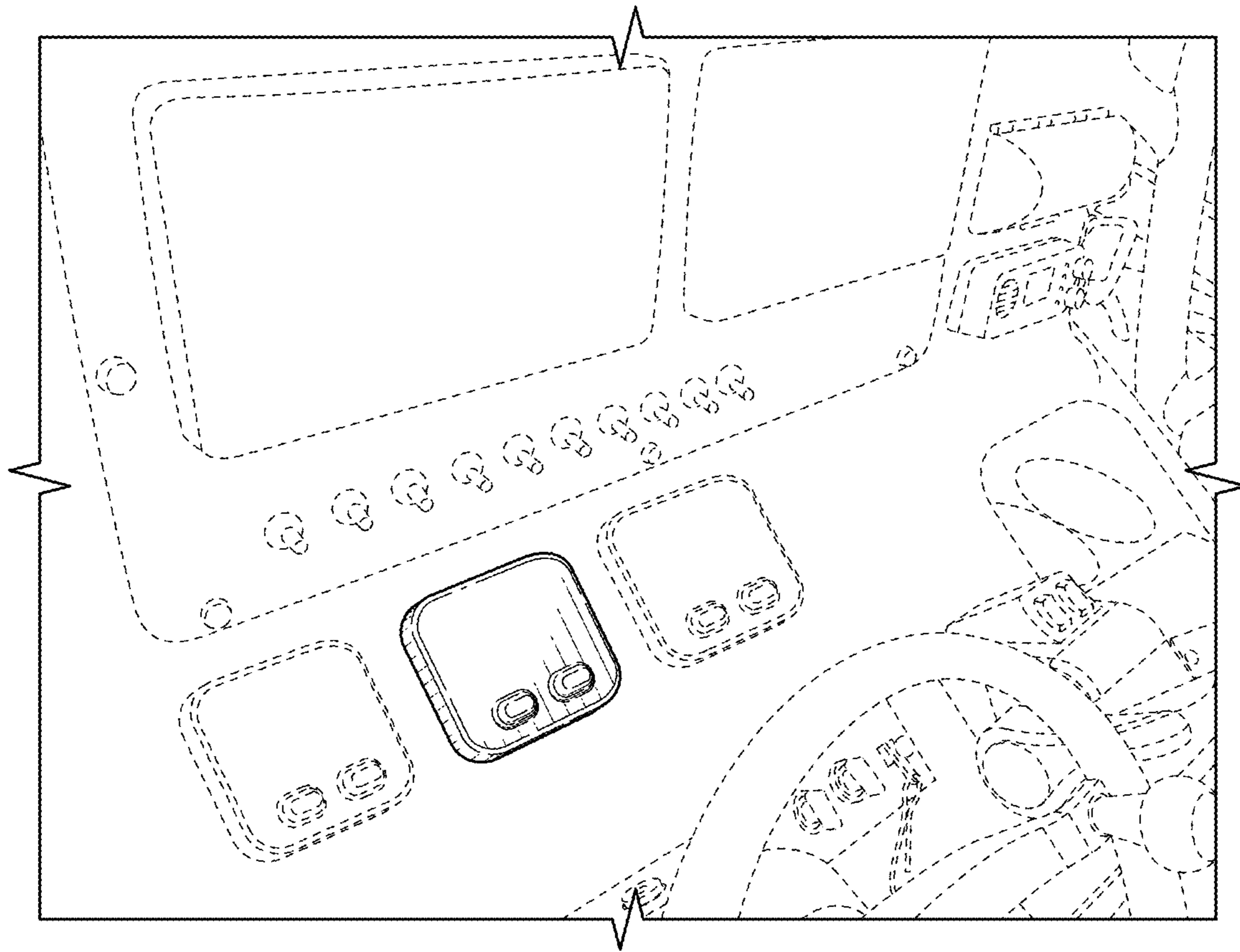


FIG. 9