



US00D870634S

(12) **United States Design Patent**
Tovey

(10) **Patent No.:** **US D870,634 S**

(45) **Date of Patent:** **** Dec. 24, 2019**

(54) **WHEEL**

(71) Applicant: **Jaguar Land Rover Limited**, Whitley
Coventry (GB)

(72) Inventor: **Simon Tovey**, Whitley Coventry (GB)

(73) Assignee: **Jaguar Land Rover Limited**, Whitley,
Coventry (GB)

(**) Term: **15 Years**

(21) Appl. No.: **29/684,868**

(22) Filed: **Mar. 25, 2019**

Related U.S. Application Data

(62) Division of application No. 29/624,956, filed on Nov.
6, 2017, now Pat. No. Des. 848,338.

(30) **Foreign Application Priority Data**

May 11, 2017 (EM) 003997071

(51) **LOC (12) Cl.** **12-16**

(52) **U.S. Cl.**
USPC **D12/209**

(58) **Field of Classification Search**

USPC D12/204–213; D21/533, 561, 563
CPC B60B 7/00; B60B 7/02; B60B 7/04; B60B
7/06; B60B 3/02; B60B 3/04; B60B 3/06;
B60B 3/10; B60B 1/00; B60B 1/08;
B60B 1/10; B60B 1/12

See application file for complete search history.

(56) **References Cited**

U.S. PATENT DOCUMENTS

D581,337 S * 11/2008 Juergens D12/209
D631,812 S * 2/2011 Juergens D12/209
D631,814 S * 2/2011 Baum D12/209
D671,475 S * 11/2012 Juergens D12/209
D740,197 S * 10/2015 Valencia D12/209

D744,401 S * 12/2015 Back D12/209
D757,625 S * 5/2016 Hu D12/209
D776,595 S * 1/2017 Perini D12/209
D783,492 S * 4/2017 Valencia D12/209
D823,432 S * 7/2018 Oh D23/209
D838,652 S * 1/2019 Kato D12/209
D839,141 S * 1/2019 Beaven D12/164

* cited by examiner

Primary Examiner — Sheryl Lane

Assistant Examiner — Calvin E Vasant

(74) *Attorney, Agent, or Firm* — Wood Herron & Evans
LLP

(57) **CLAIM**

The ornamental design for a wheel, as shown and described.

DESCRIPTION

FIG. 1 is a front left perspective view of a wheel for a vehicle
according the present invention.

FIG. 2 is a front right perspective view of the wheel shown
in FIG. 1.

FIG. 3 is a front view thereof.

FIG. 4 is a left side view thereof, the right side view being
a mirror image thereof.

FIG. 5 is a rear view thereof.

FIG. 6 is a rear right perspective view thereof.

FIG. 7 is a rear left perspective view thereof.

FIG. 8 is a front left perspective view of a wheel for a vehicle
according to an alternative embodiment of the present
invention.

FIG. 9 is a front right perspective view of the wheel shown
in FIG. 8.

FIG. 10 is a front view thereof.

FIG. 11 is a left side view thereof, the right side view being
a mirror image thereof.

FIG. 12 is a rear view thereof.

FIG. 13 is a rear right perspective view thereof; and,

FIG. 14 is a rear left perspective view thereof.

1 Claim, 10 Drawing Sheets

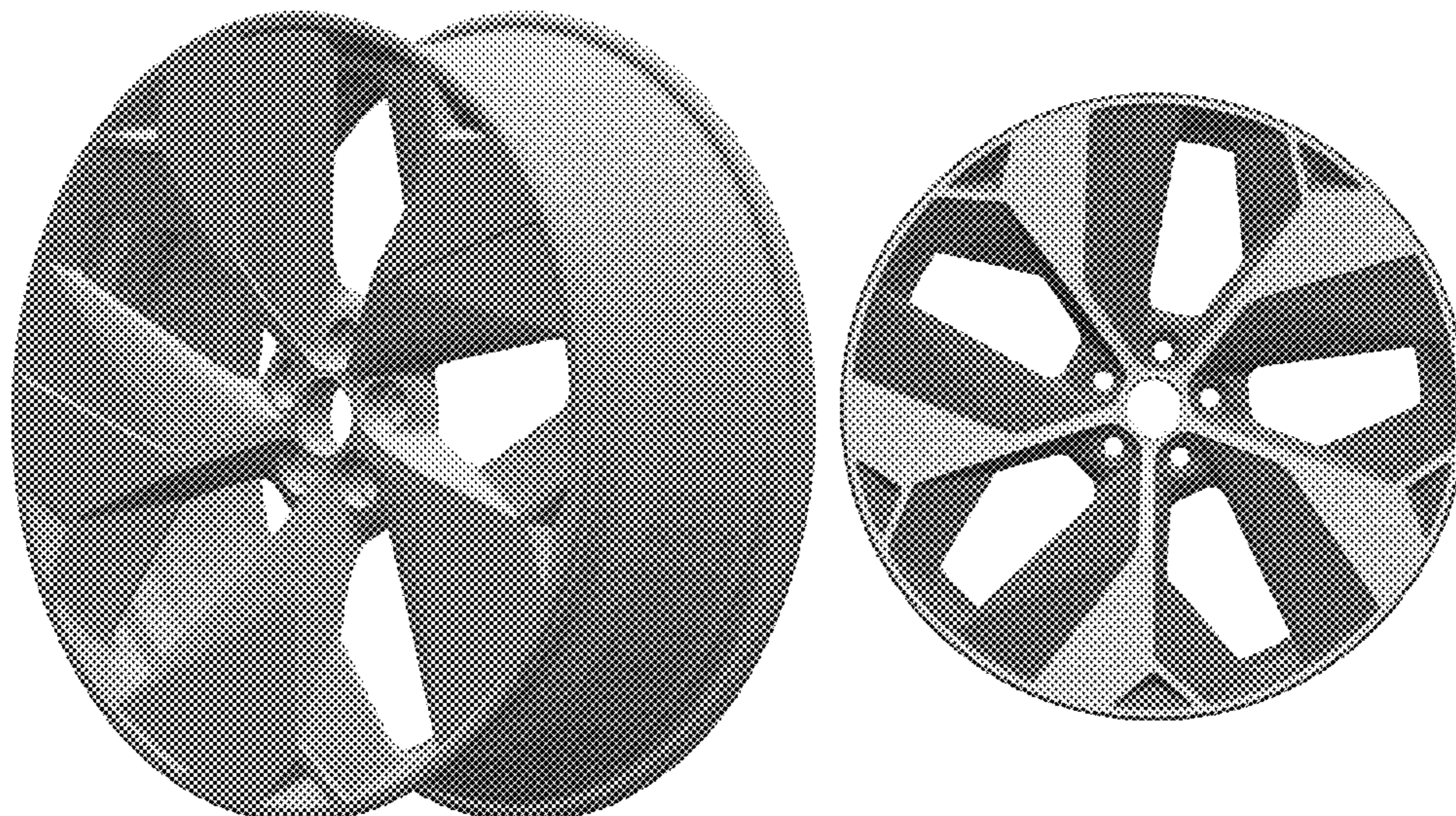




FIG. 1



FIG. 2

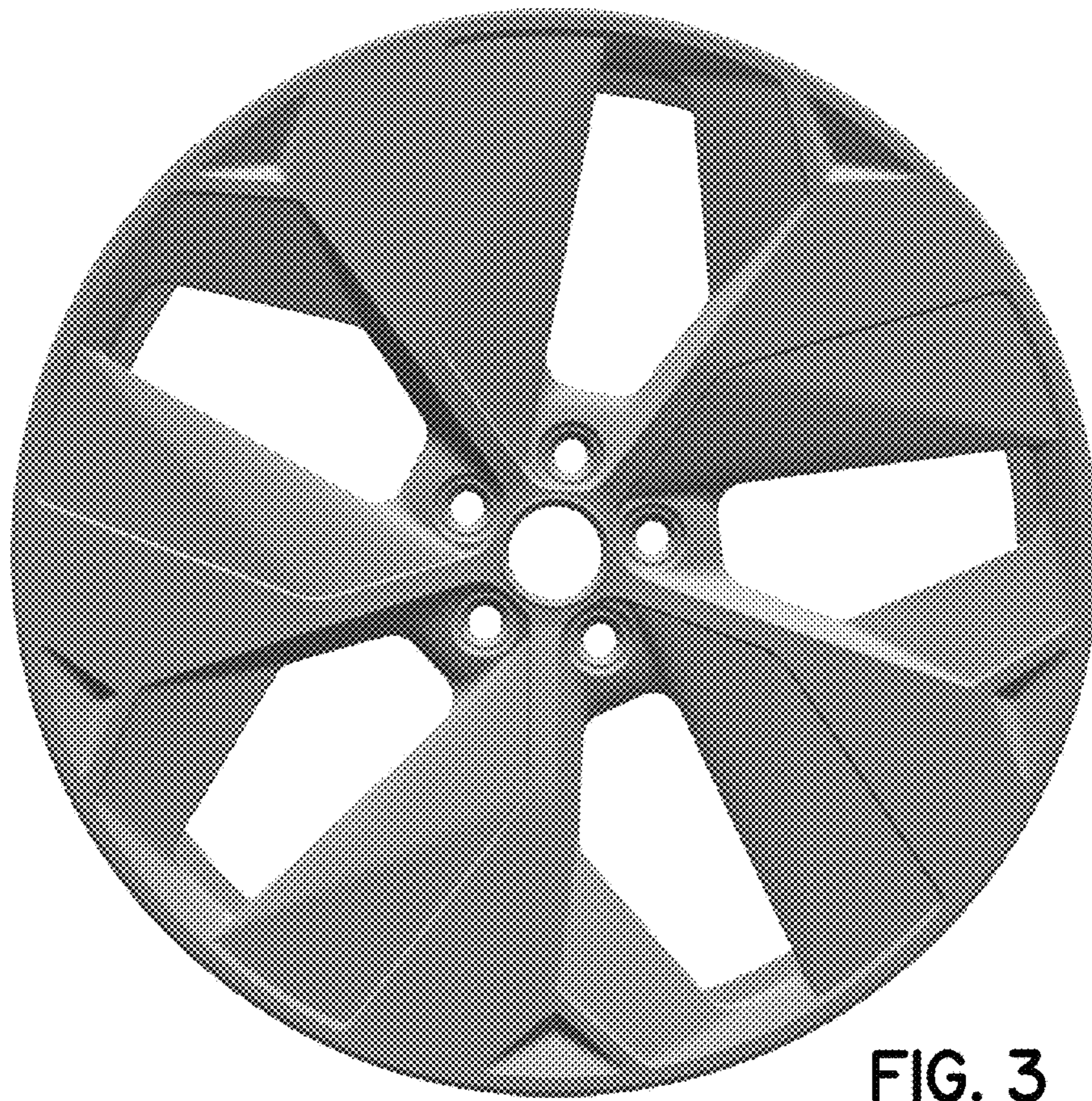


FIG. 3

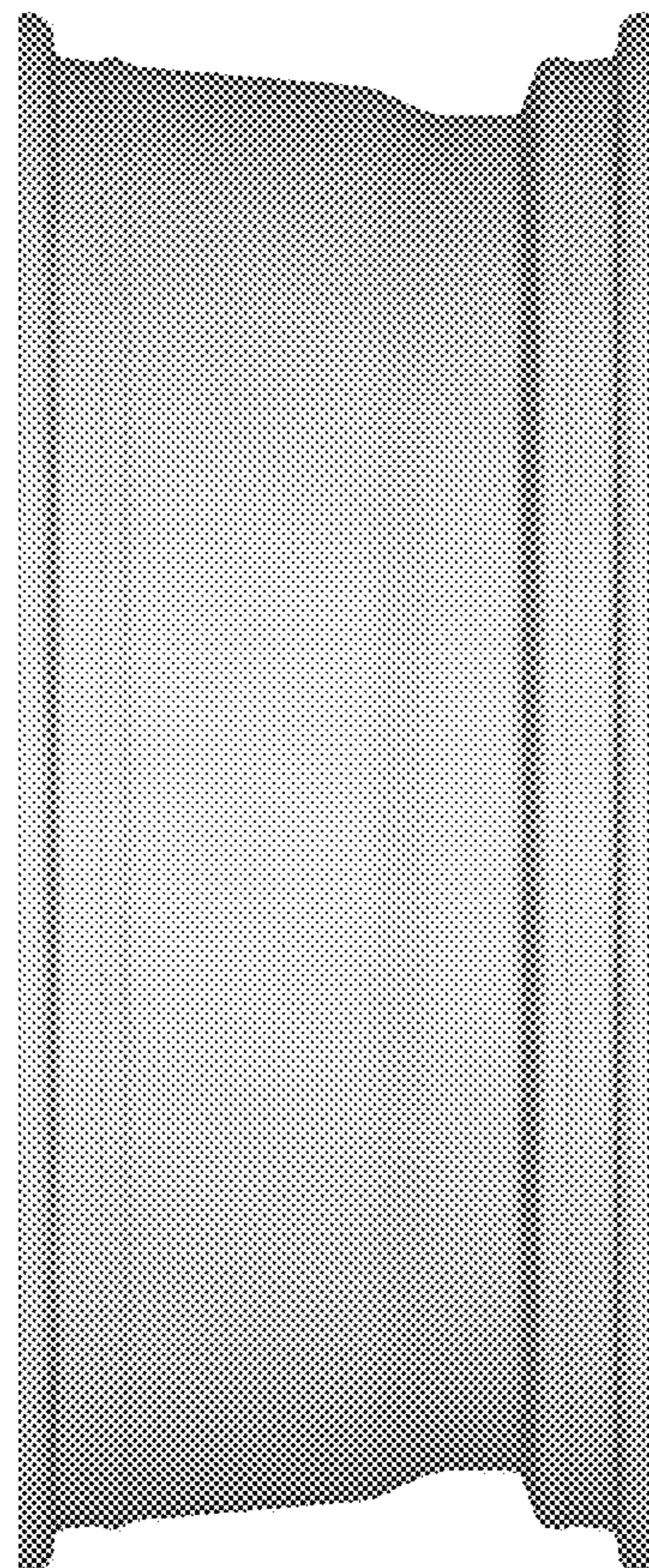


FIG. 4

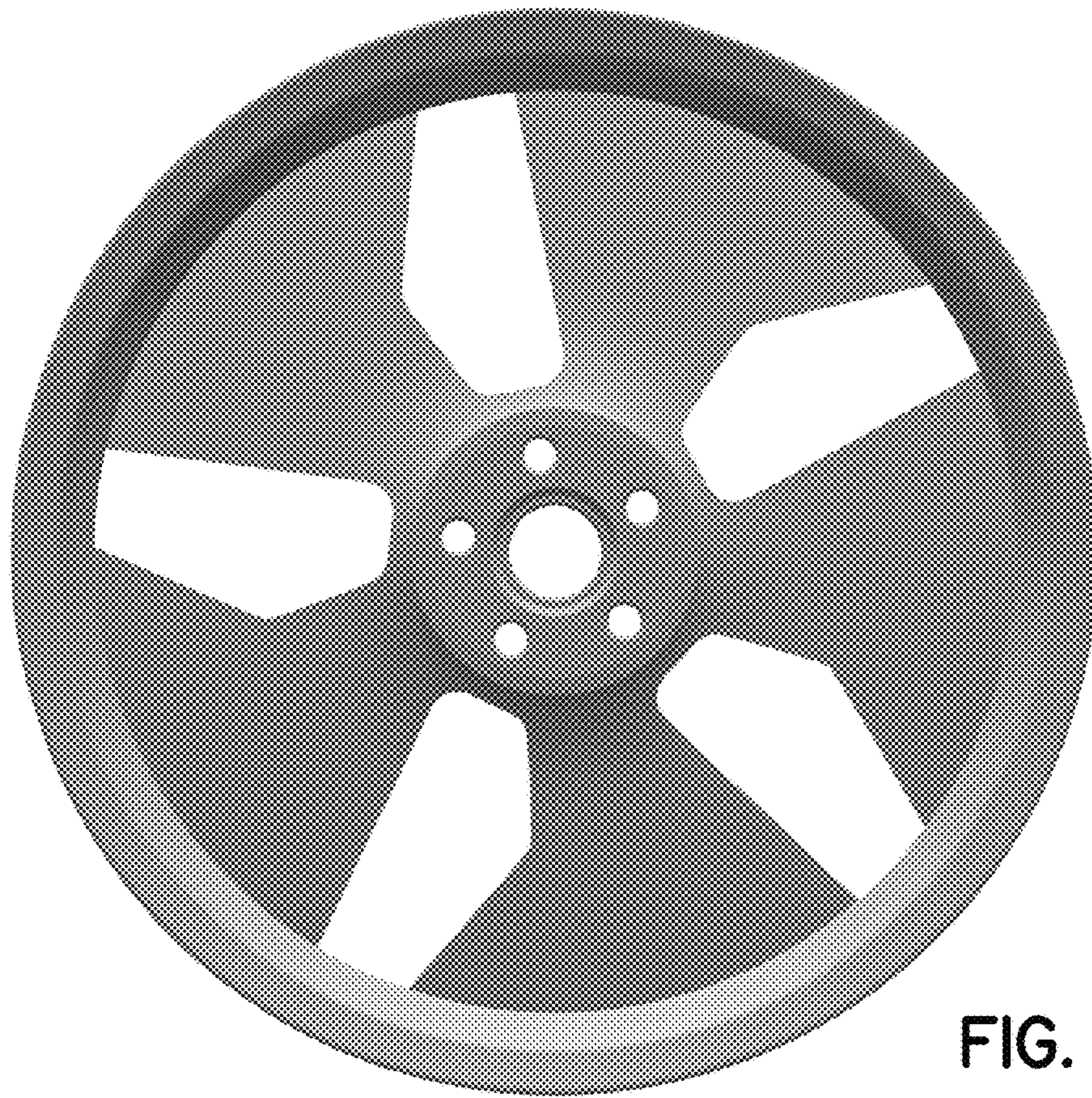


FIG. 5



FIG. 6



FIG. 7



FIG. 8



FIG. 9

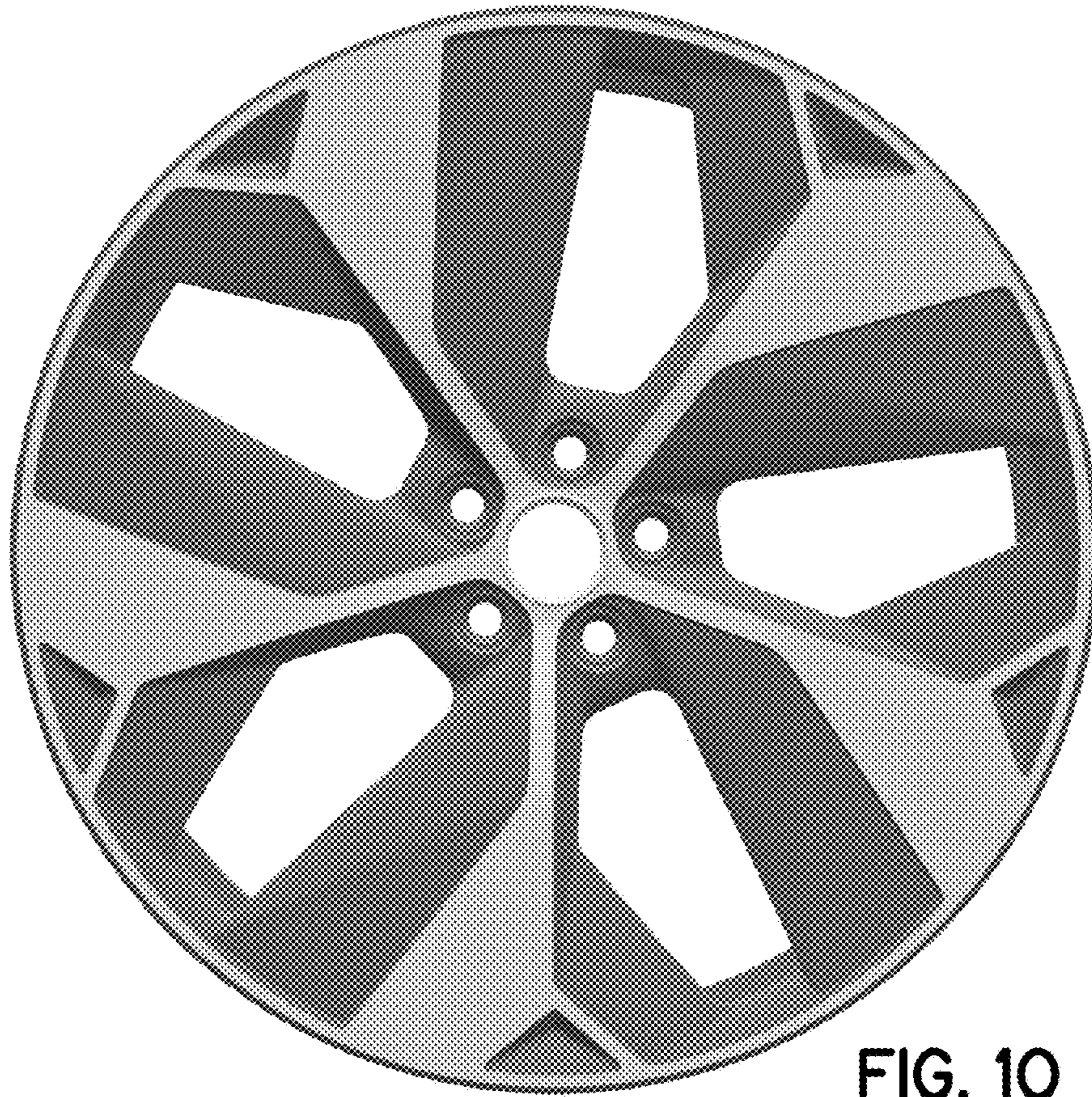


FIG. 10

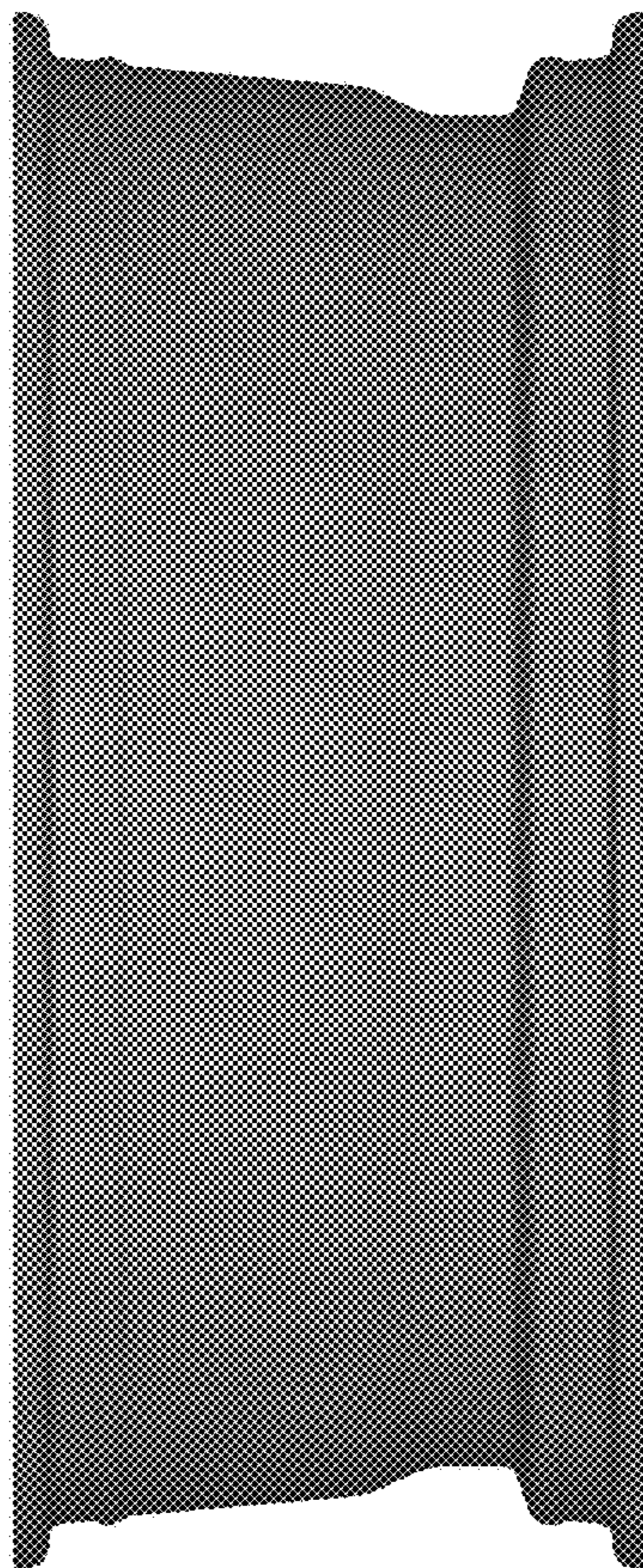


FIG. 11

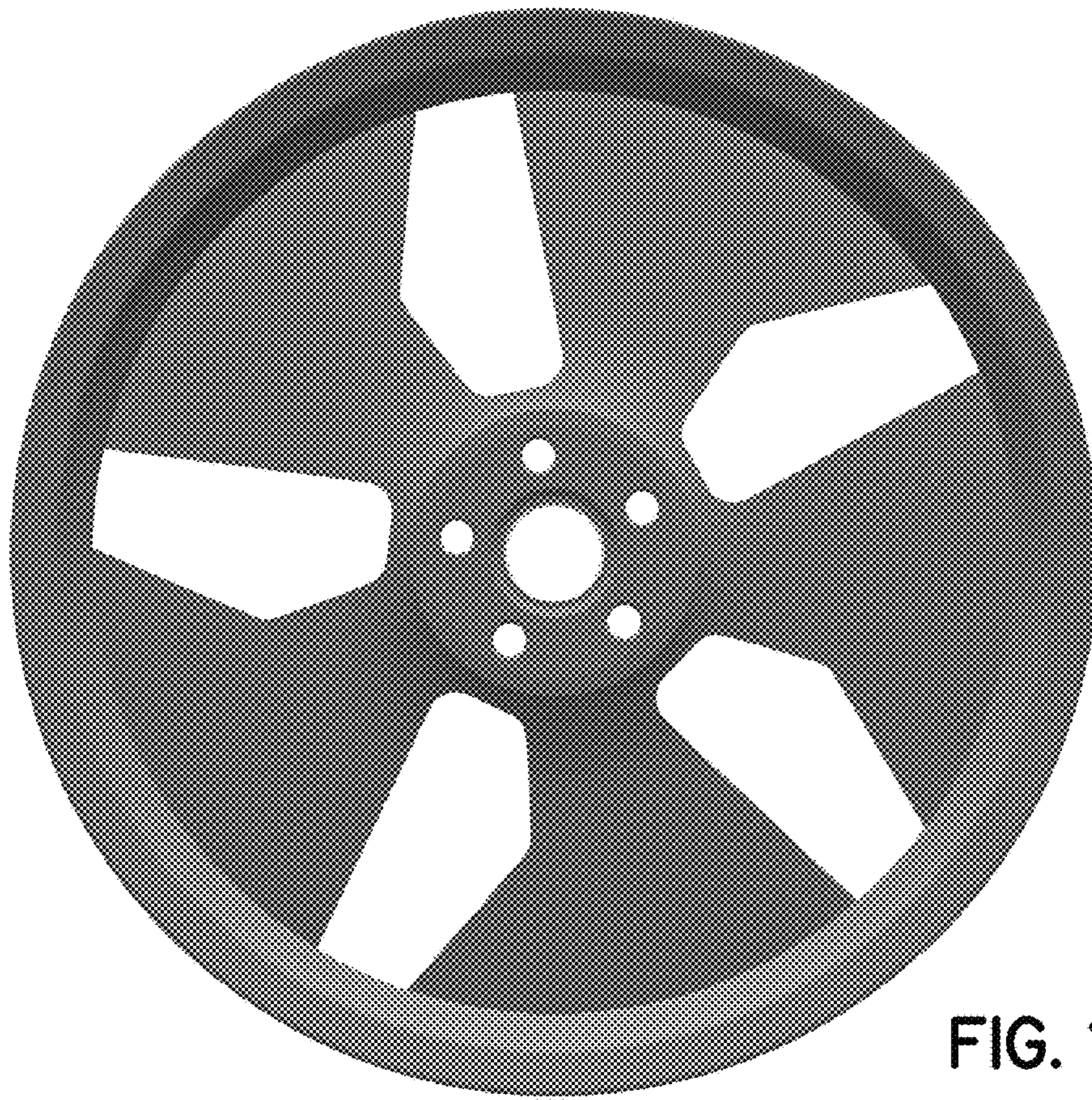


FIG. 12



FIG. 13



FIG. 14

UNITED STATES PATENT AND TRADEMARK OFFICE
CERTIFICATE OF CORRECTION

PATENT NO. : D870,634 S
APPLICATION NO. : 29/684868
DATED : December 24, 2019
INVENTOR(S) : Simon Tovey

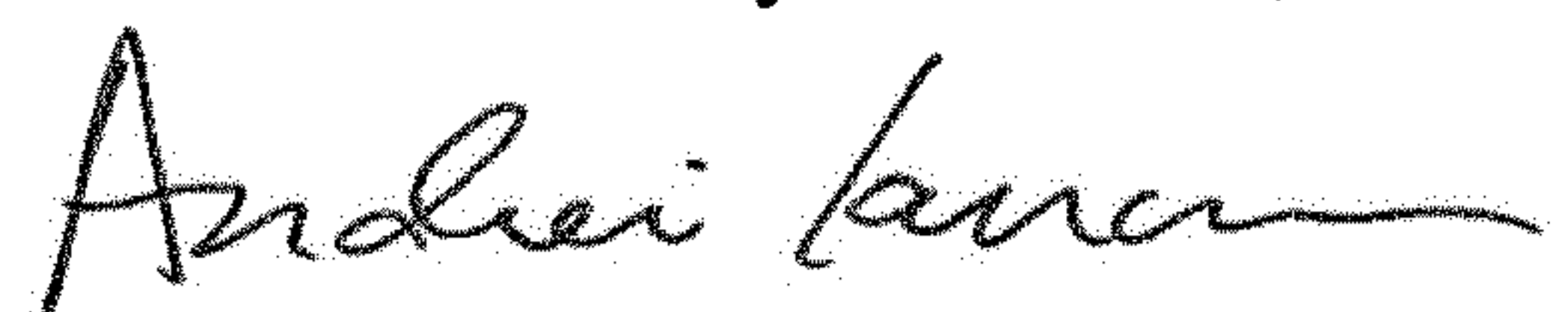
Page 1 of 1

It is certified that error appears in the above-identified patent and that said Letters Patent is hereby corrected as shown below:

On the Title Page

Column 2,
Description, Line 2, "according the present" should be ---according to the present---

Signed and Sealed this
Seventeenth Day of March, 2020



Andrei Iancu
Director of the United States Patent and Trademark Office