



US00D870633S

(12) **United States Design Patent**
Aslam

(10) **Patent No.:** **US D870,633 S**

(45) **Date of Patent:** **** Dec. 24, 2019**

(54) **VEHICLE WHEEL**

(71) Applicant: **USA Wheel and Tire Outlet, Inc.,**
Mesquite, TX (US)

(72) Inventor: **Nadeem Aslam, Mesquite, TX (US)**

(73) Assignee: **USA Wheel and Tire Outlet, Inc.,**
Mesquite, TX (US)

(**) Term: **15 Years**

(21) Appl. No.: **29/668,302**

(22) Filed: **Oct. 29, 2018**

(51) **LOC (12) Cl.** **12-16**

(52) **U.S. Cl.**
USPC **D12/209**

(58) **Field of Classification Search**
USPC D12/204–213
CPC B60B 7/00; B60B 7/02; B60B 7/04; B60B
7/01; B60B 7/06; B60B 3/02; B60B 3/04;
B60B 3/06; B60B 3/10; B60B 1/00;
B60B 1/08; B60B 1/10; B60B 1/12
See application file for complete search history.

(56) **References Cited**

U.S. PATENT DOCUMENTS

D409,968 S	*	5/1999	Goplen	D12/211
D471,852 S	*	3/2003	Pfeiffer	D12/211
D525,185 S	*	7/2006	Scheu	D12/211
D538,729 S	*	3/2007	Pfeiffer	D12/209
D587,179 S	*	2/2009	Pfeiffer	D12/209
D697,015 S	*	1/2014	Nemeth	D12/211
D701,811 S	*	4/2014	Hale, Jr.	D12/211
D721,317 S	*	1/2015	Kern	D12/211
D745,842 S	*	12/2015	Wheel	D12/209
D766,805 S	*	9/2016	Chung	D12/211
D769,170 S	*	10/2016	Johnson	D12/211

D780,662 S	*	3/2017	Zhao	D12/211
D786,768 S	*	5/2017	Youssef	D12/211
D791,041 S	*	7/2017	Johnson	D12/209
D791,051 S	*	7/2017	Johnson	D12/211
D791,672 S	*	7/2017	Palana	D12/211
D803,129 S	*	11/2017	McMath	D12/209
D803,753 S	*	11/2017	Zhao	D12/211
D806,630 S	*	1/2018	McMath	D12/211
D806,633 S	*	1/2018	Setter	D12/211
D813,137 S	*	3/2018	Sempek	D12/209
D828,266 S	*	9/2018	Garcia	D12/209
D830,269 S	*	10/2018	Garcia	D12/209
D830,271 S	*	10/2018	Aslam	D12/213
D830,276 S		10/2018	Aslam		
D830,278 S	*	10/2018	Aslam	D12/213
D831,560 S	*	10/2018	Aiello	D12/211
D831,561 S	*	10/2018	Aiello	D12/213
D832,761 S	*	11/2018	Johnson	D12/209
D835,021 S	*	12/2018	Sempek	D12/209
D840,901 S	*	2/2019	Licklitter	D12/211
D848,341 S	*	5/2019	O'Neill	D12/209

* cited by examiner

Primary Examiner — Stacia A Cadmus

(74) *Attorney, Agent, or Firm* — Schneider IP Law LLC;
Laura A. Schneider

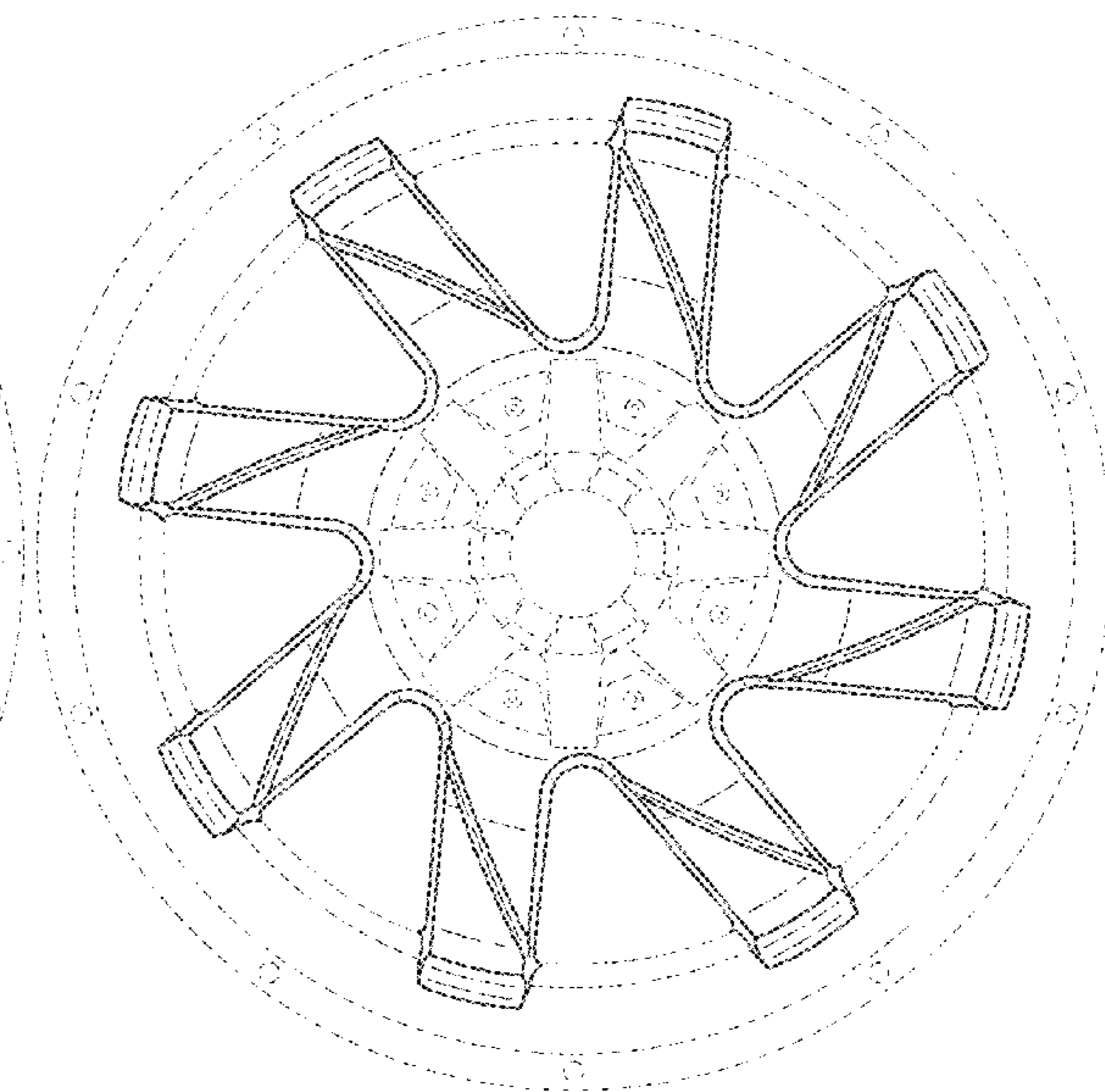
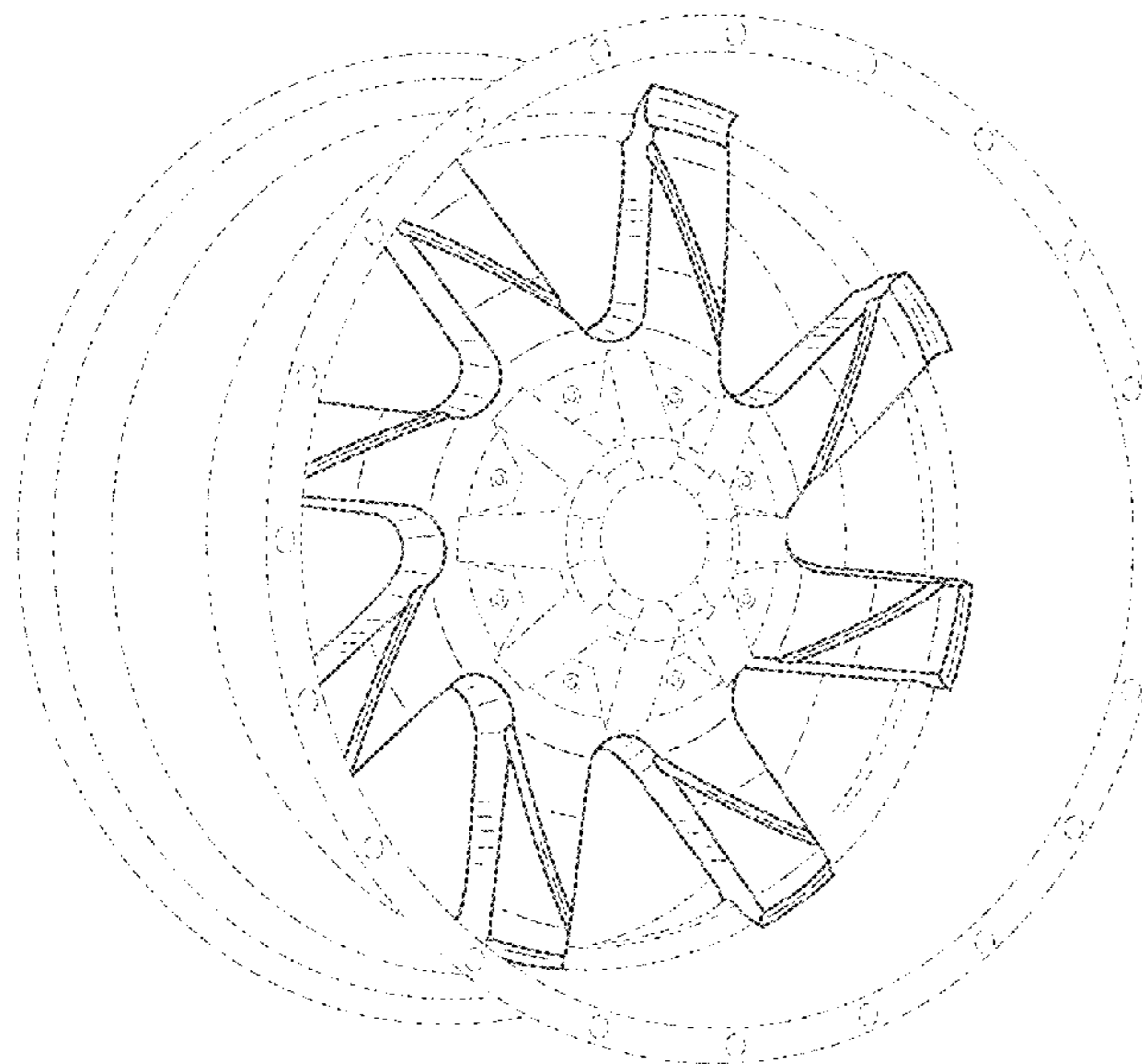
(57) **CLAIM**

The ornamental design for a vehicle wheel, as shown and described.

DESCRIPTION

FIG. 1 is a front perspective view of a vehicle wheel showing my new design; and FIG. 2 is a front view thereof; and, FIG. 3 is a rear view thereof. The broken lines show portions of the vehicle wheel which form no part of the claimed design.

1 Claim, 3 Drawing Sheets



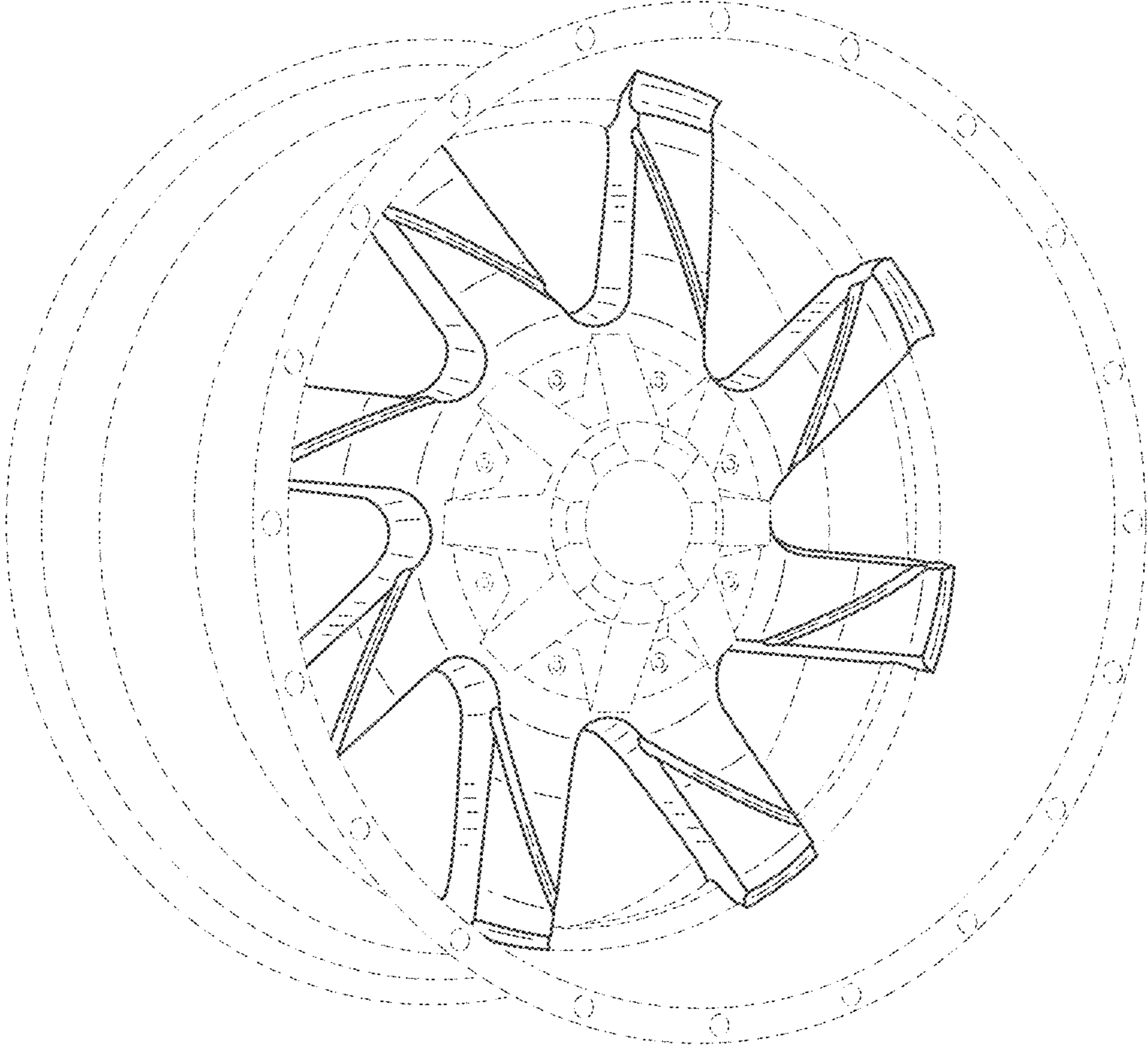


FIG.1

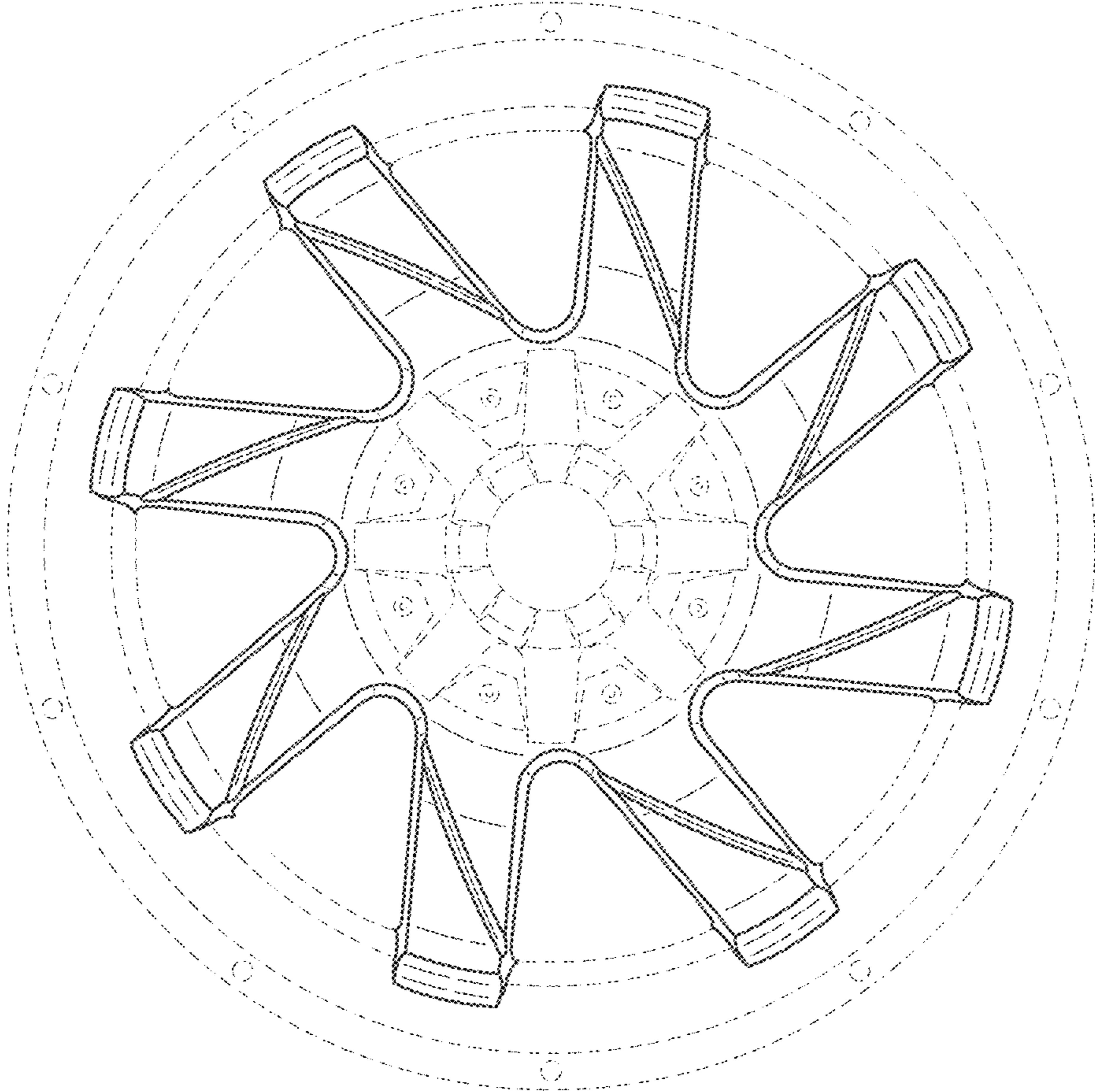


FIG. 2

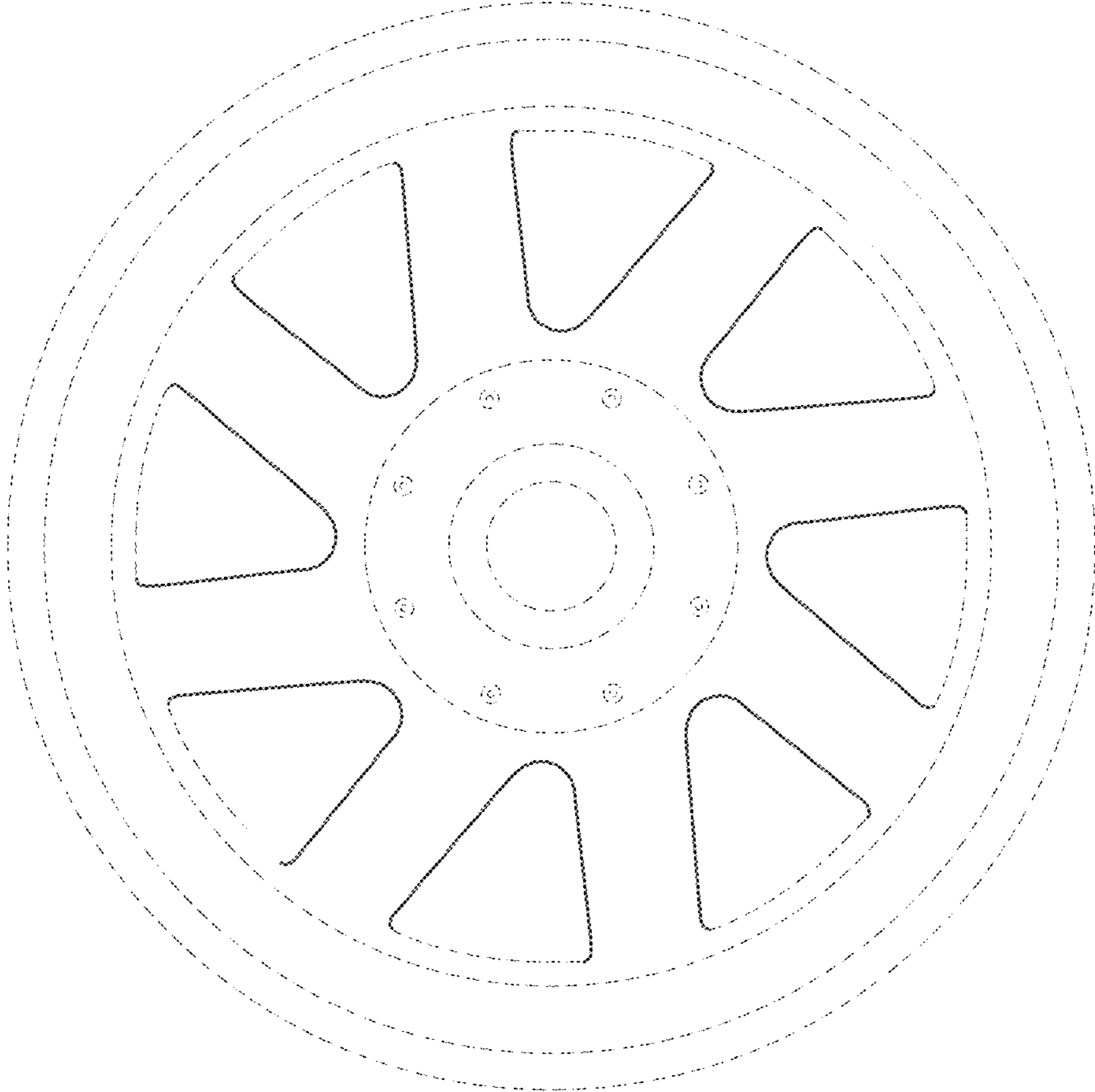


FIG.3