



US00D870627S

(12) **United States Design Patent**
Lu

(10) **Patent No.:** **US D870,627 S**

(45) **Date of Patent:** **** Dec. 24, 2019**

(54) **VEHICLE WHEEL RIM**

(71) Applicant: **Kuo-wei Lu**, Los Angeles, CA (US)

(72) Inventor: **Kuo-wei Lu**, Los Angeles, CA (US)

(**) Term: **15 Years**

(21) Appl. No.: **29/636,242**

(22) Filed: **Feb. 7, 2018**

(51) **LOC (12) Cl.** **12-16**

(52) **U.S. Cl.**
USPC **D12/209**

(58) **Field of Classification Search**
USPC D12/204–213
CPC B60B 7/00; B60B 7/02; B60B 7/04; B60B
7/01; B60B 7/06; B60B 3/02; B60B 3/04;
B60B 3/06; B60B 3/10; B60B 1/00;
B60B 1/08; B60B 1/10; B60B 1/12
See application file for complete search history.

(56) **References Cited**

U.S. PATENT DOCUMENTS

D419,948 S *	2/2000	Cahyono	D12/211
D430,526 S *	9/2000	Fitzgerald	D12/211
D695,182 S *	12/2013	Chung	D12/209
D714,707 S *	10/2014	Chung	D12/211
D753,569 S *	4/2016	Chung	D12/209
D754,045 S *	4/2016	Chung	D12/209
D756,281 S *	5/2016	Chung	D12/209
D756,282 S *	5/2016	Zhao	D12/209
D760,142 S *	6/2016	Chu	D12/211
D772,132 S *	11/2016	Kong	D12/211

D784,895 S *	4/2017	Platto	D12/211
D798,211 S *	9/2017	Chung	D12/209
D824,315 S *	7/2018	Tran	D12/209
D824,316 S *	7/2018	Tran	D12/209
D825,423 S *	8/2018	Henderson	D12/209
D830,931 S *	10/2018	Factor	D12/209
D833,361 S *	11/2018	Han	D12/209
D833,945 S *	11/2018	Henderson	D12/209
D839,813 S *	2/2019	Zhen	D12/209
D848,926 S *	5/2019	Tran	D12/209
D853,295 S *	7/2019	Han	D12/209

* cited by examiner

Primary Examiner — Stacia A Cadmus

(74) *Attorney, Agent, or Firm* — Jen-Feng Lee, Esq.

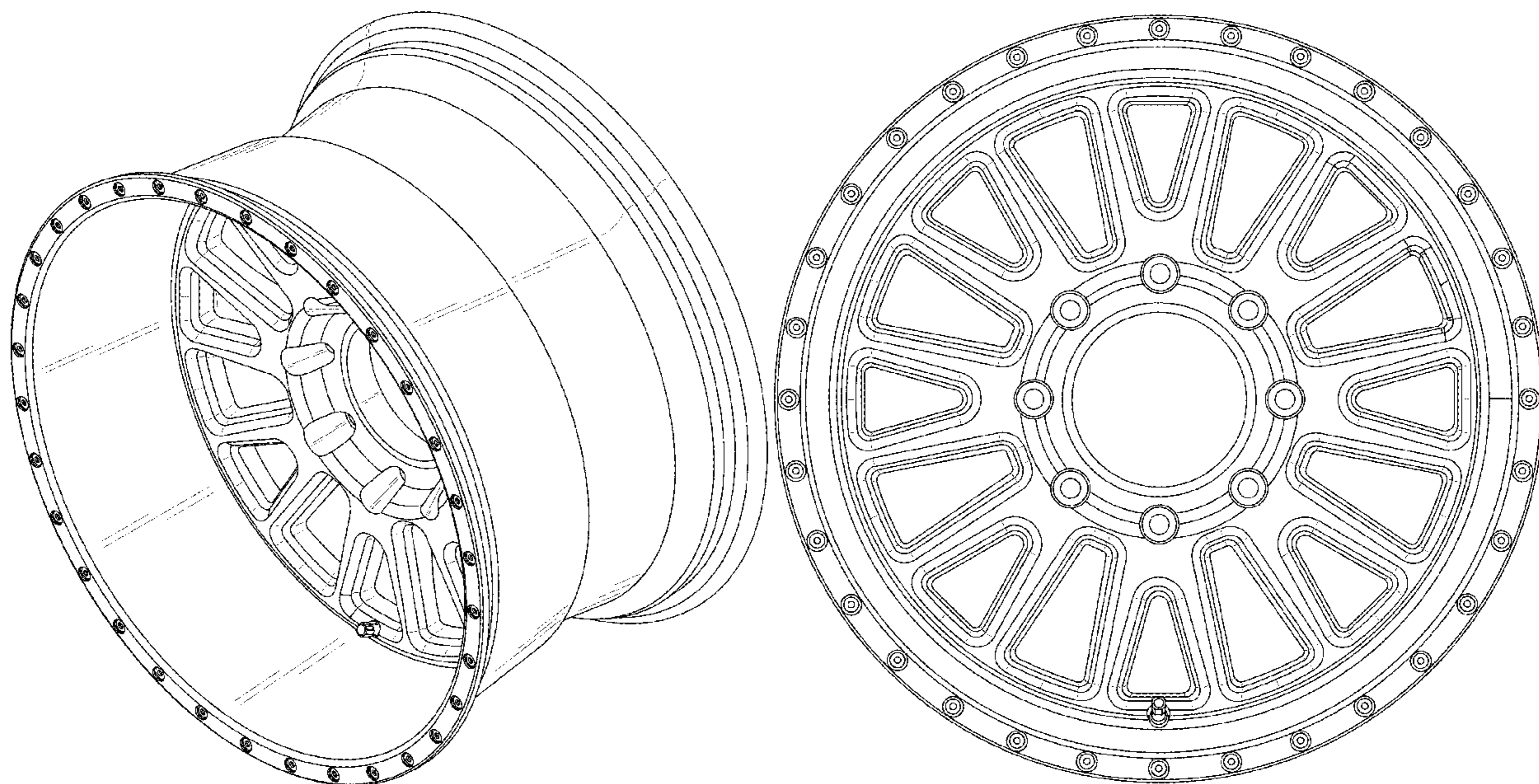
(57) **CLAIM**

I claim the ornamental design for a vehicle wheel rim, as shown and described.

DESCRIPTION

FIG. 1 shows the perspective view of the front and right side of a vehicle wheel rim showing my new design, FIG. 2 shows the perspective view of the rear and left side thereof, FIG. 3 shows the front view thereof, FIG. 4 shows the rear side view thereof. FIG. 5 shows the left side view thereof, the right side view being a mirror image; and, FIG. 6 shows the top view thereof, the bottom view being a mirror image.

1 Claim, 6 Drawing Sheets



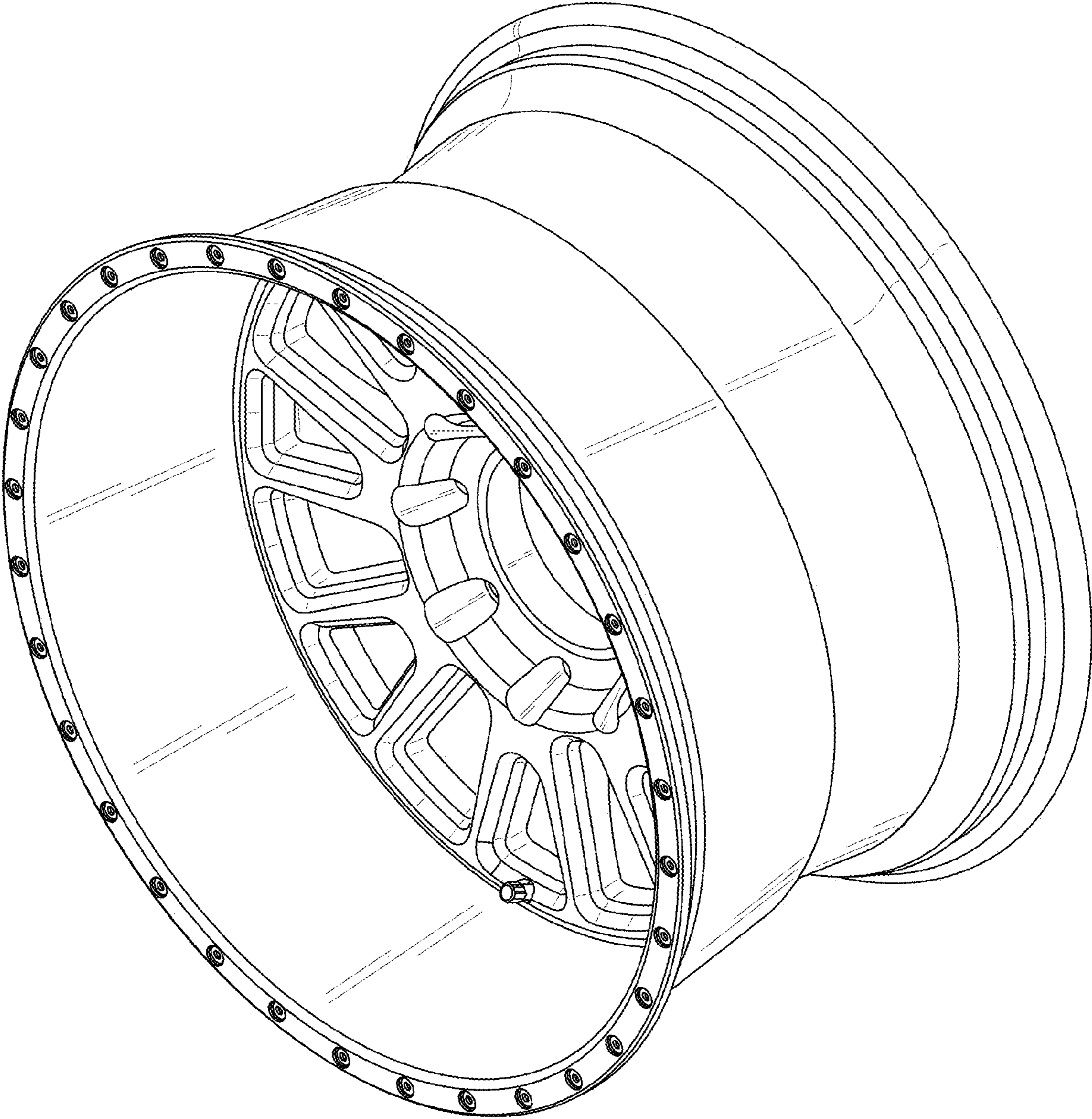


FIG. 1

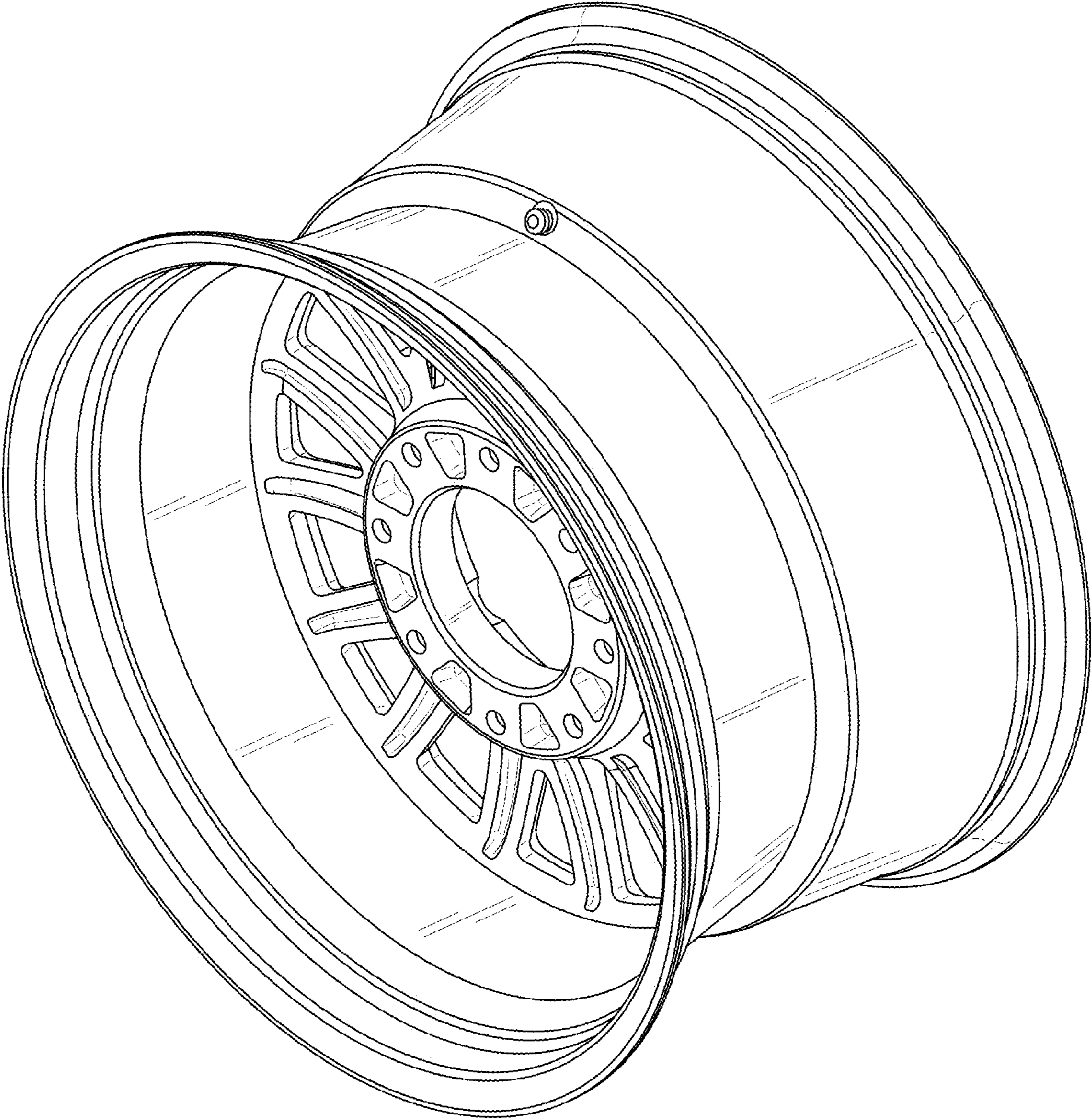


FIG. 2

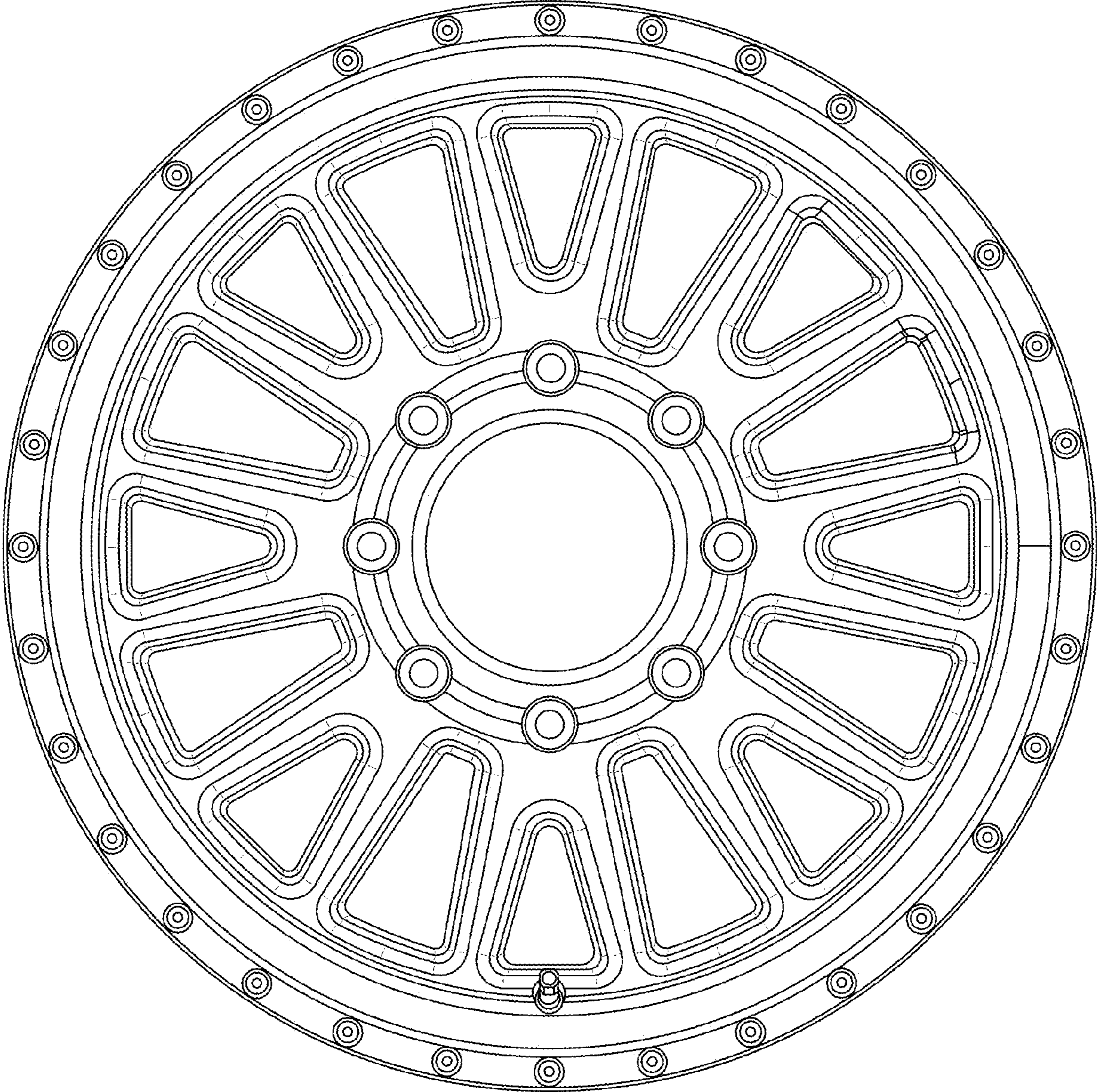


FIG. 3

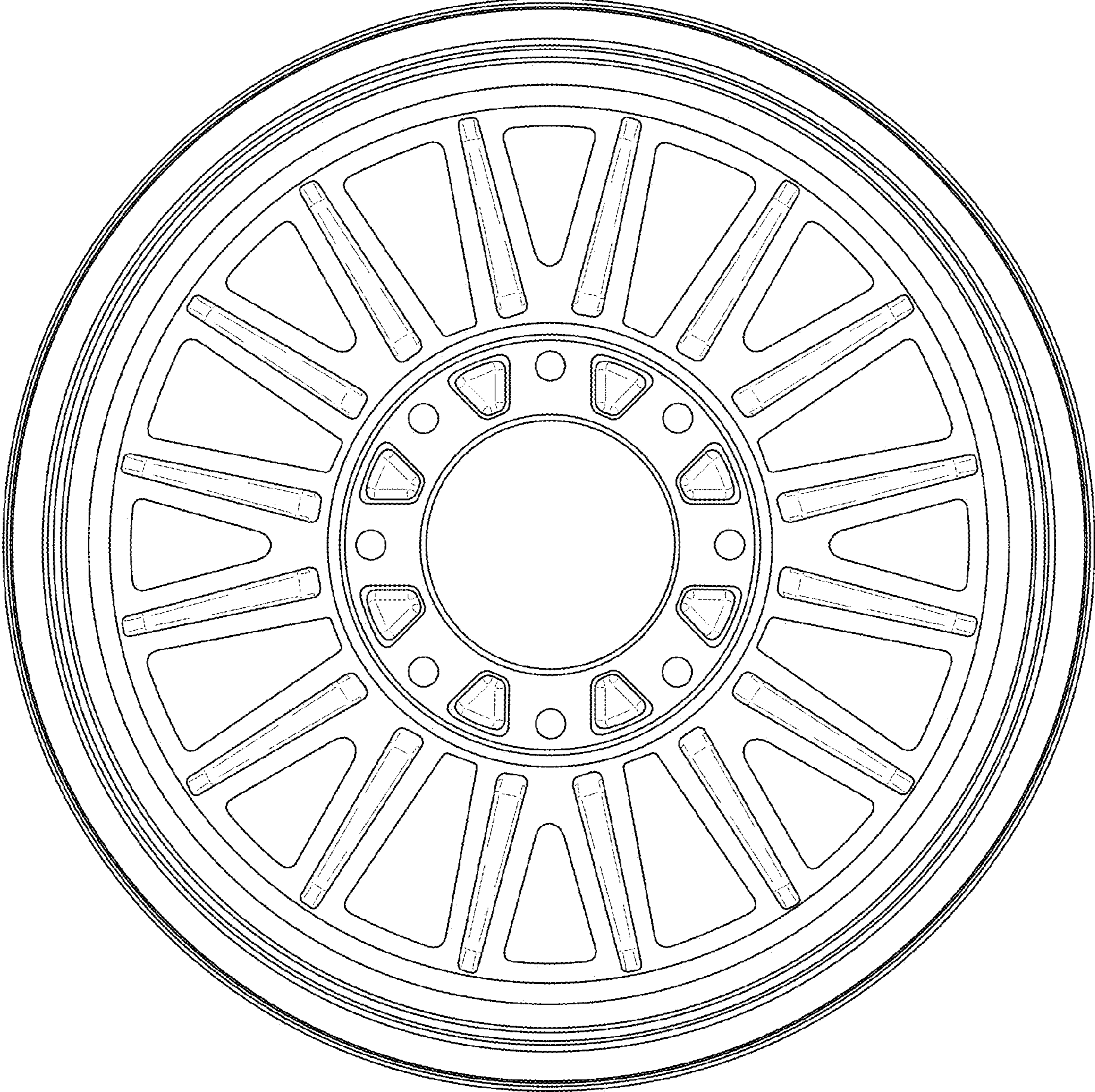


FIG. 4

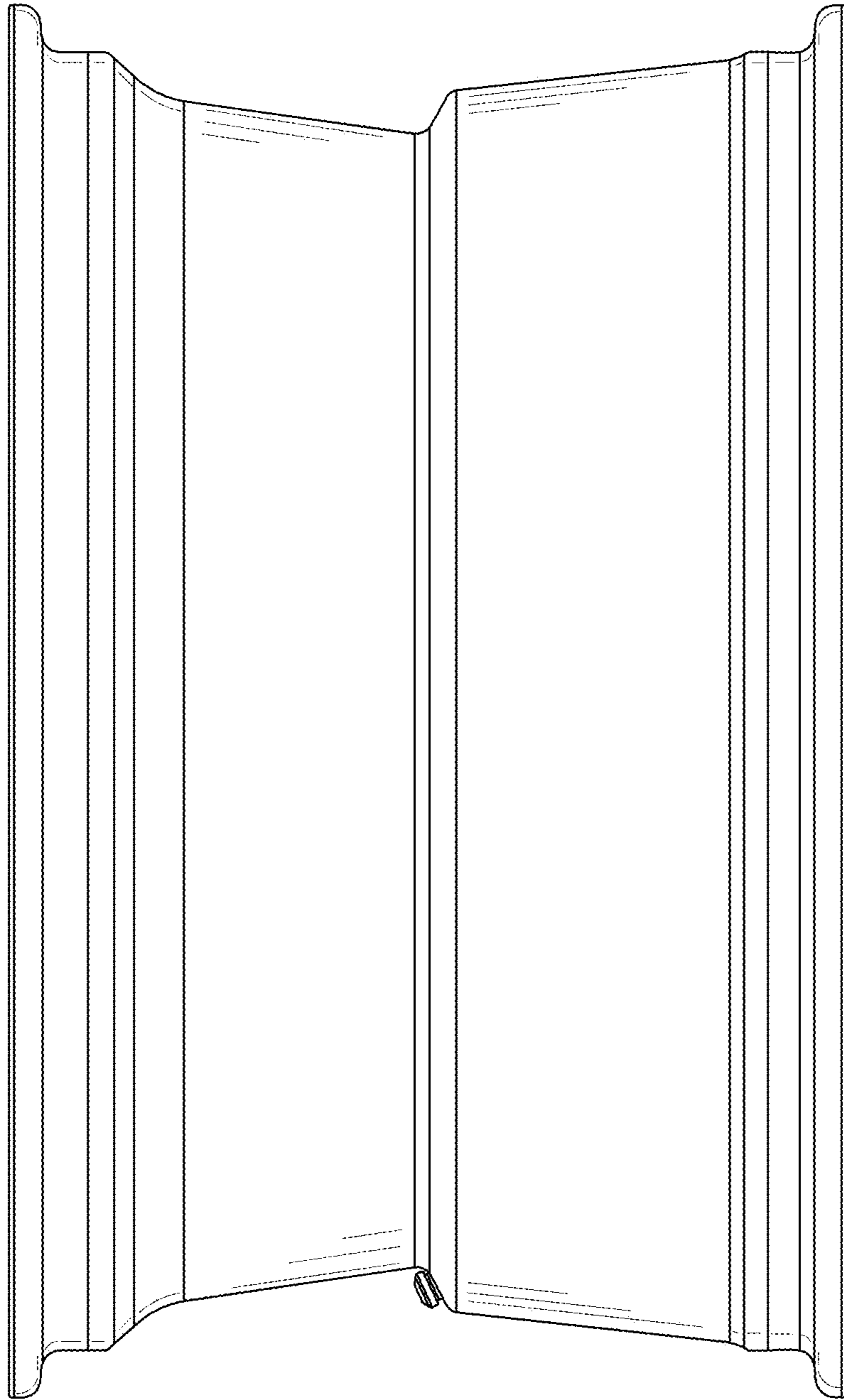


FIG. 5

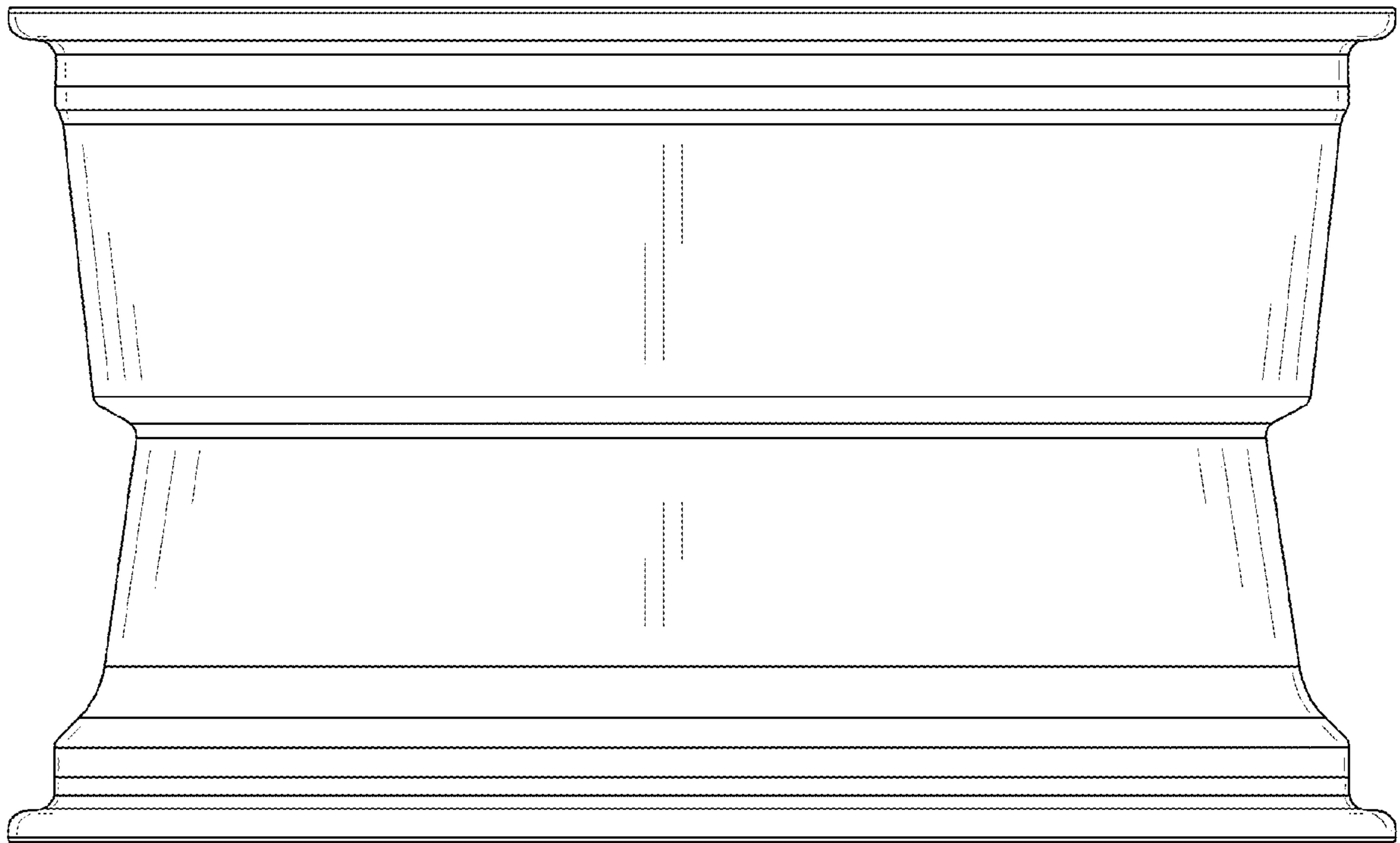


FIG. 6