



US00D870623S

(12) **United States Design Patent**  
**Omelchenko**

(10) **Patent No.:** **US D870,623 S**

(45) **Date of Patent:** **\*\* Dec. 24, 2019**

(54) **LICENSE PLATE GUARD**

(71) Applicant: **Anatoliy Omelchenko**, Brooklyn, NY  
(US)

(72) Inventor: **Anatoliy Omelchenko**, Brooklyn, NY  
(US)

(\*\*) Term: **15 Years**

(21) Appl. No.: **29/650,555**

(22) Filed: **Jun. 7, 2018**

(51) **LOC (12) Cl.** ..... **12-16**

(52) **U.S. Cl.**  
USPC ..... **D12/193**

(58) **Field of Classification Search**  
USPC ..... D12/193; D6/300, 301, 302, 310, 311,  
D6/312, 313, 314; D20/13  
CPC ..... B60R 13/10; B60R 13/105; B60R 19/24;  
B60R 19/52  
See application file for complete search history.

(56) **References Cited**

**U.S. PATENT DOCUMENTS**

D358,462 S *	5/1995	Ball	.....	D20/33
D367,459 S *	2/1996	Spencer	.....	D12/193
D411,972 S *	7/1999	Long	.....	D12/114
D489,772 S *	5/2004	Fine	.....	D21/483
D531,859 S *	11/2006	Bogumil	.....	D7/625
D566,023 S *	4/2008	Pacleb	.....	D12/193
D576,934 S *	9/2008	Hirth	.....	D12/193
D585,260 S *	1/2009	Smith	.....	D8/75
D590,311 S *	4/2009	Pacleb	.....	D12/193
D599,726 S *	9/2009	Pacleb	.....	D12/193

D625,234 S *	10/2010	Vuletic	.....	D12/193
D713,771 S *	9/2014	Kuo	.....	D12/193
D784,879 S *	4/2017	Liao	.....	D12/193
D820,226 S *	6/2018	Adan Roses	.....	D13/171
D823,207 S *	7/2018	Olson	.....	D12/193
D824,307 S *	7/2018	Spencer	.....	D12/193
D833,352 S *	11/2018	Reshetnyak	.....	D12/193

\* cited by examiner

*Primary Examiner* — Natasha Vujcic

(74) *Attorney, Agent, or Firm* — Larson & Larson, P.A.;  
Justin P. Miller; Frank Liebenow

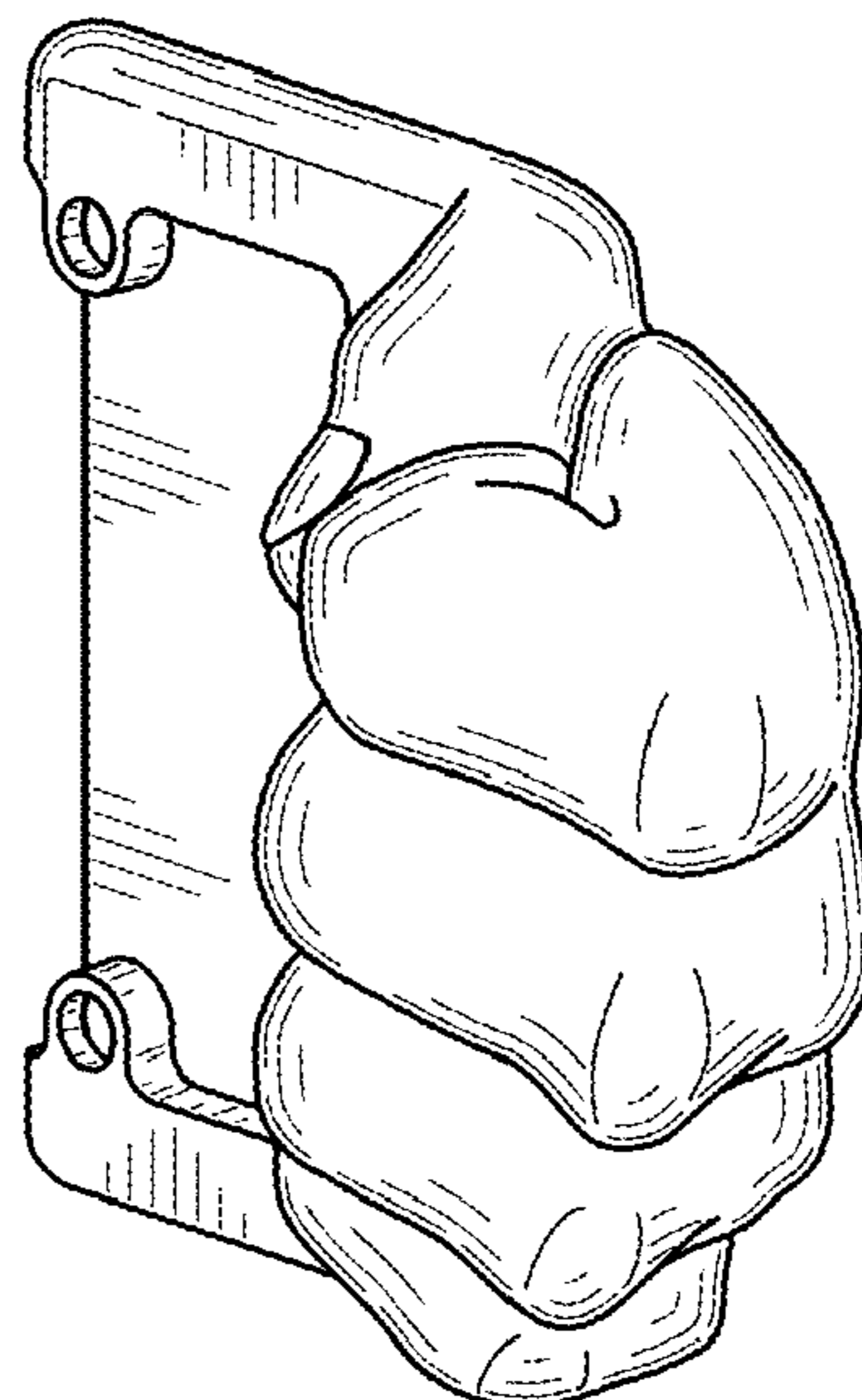
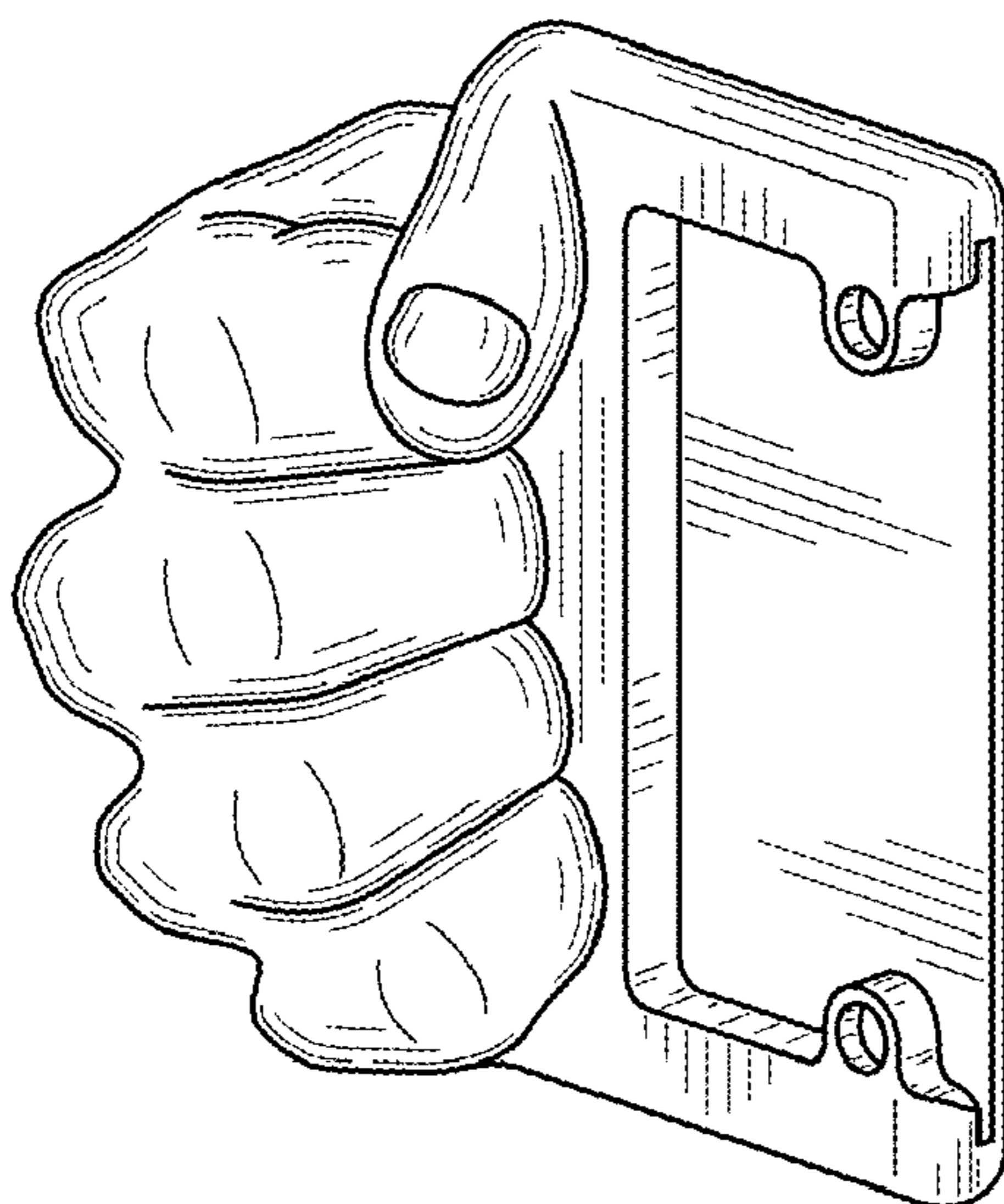
(57) **CLAIM**

I claim the ornamental design for a license plate guard, as shown and described.

**DESCRIPTION**

FIG. 1 is a perspective view of a license plate guard showing my new design;  
FIG. 2 is a front elevation view thereof;  
FIG. 3 is a back elevation thereof;  
FIG. 4 is a left-side elevation view thereof;  
FIG. 5 is a right-side elevation view thereof;  
FIG. 6 is a top plan view thereof;  
FIG. 7 is a bottom plan view thereof;  
FIG. 8 is a perspective view thereof; and,  
FIG. 9 is a cross-section view taken from cut line 9-9 in FIG. 2 showing the license plate guard.  
The broken lines depicting part of a license plate in FIG. 8 illustrates the environment of the license plate guard which forms no part of the claimed design.

**1 Claim, 4 Drawing Sheets**



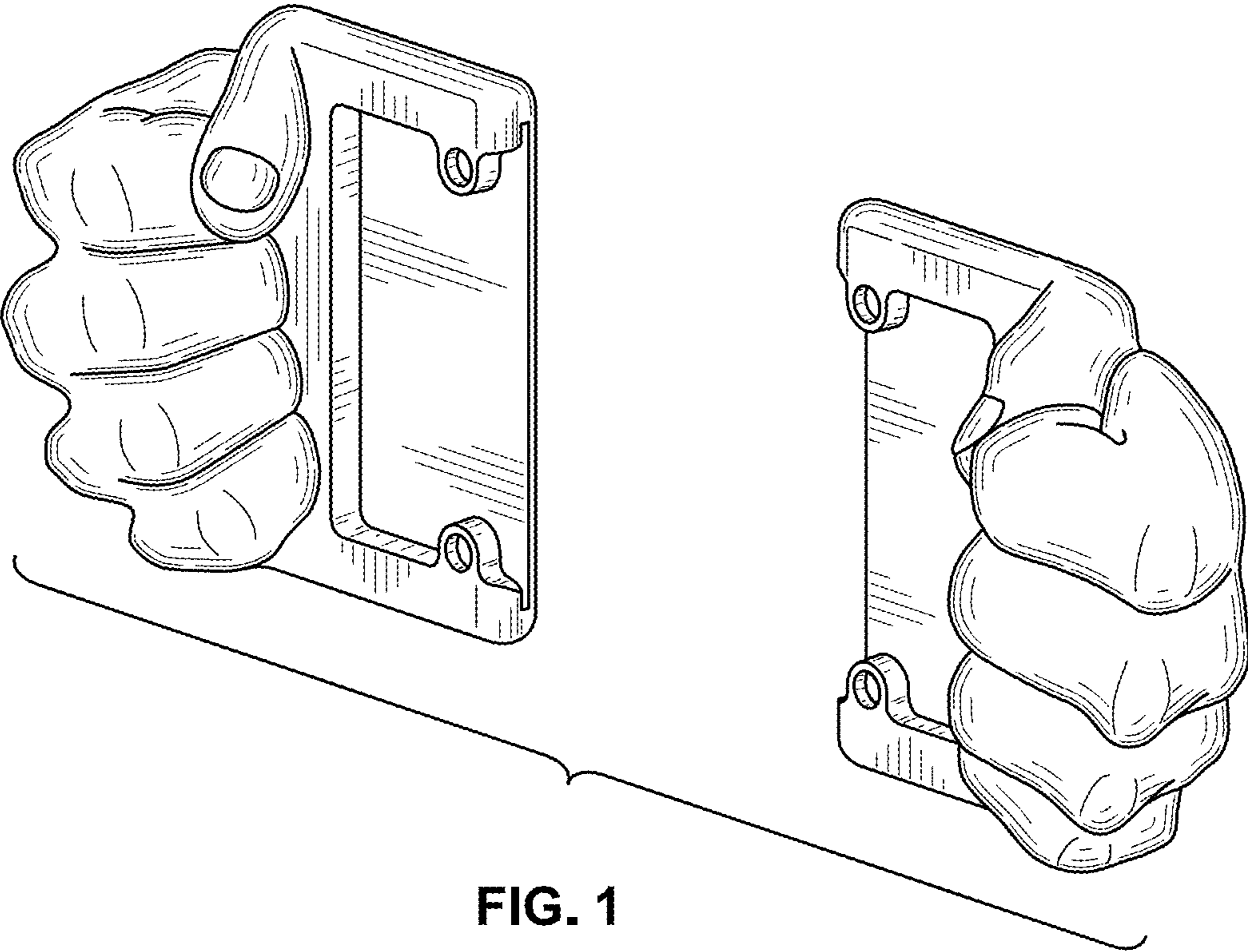


FIG. 1

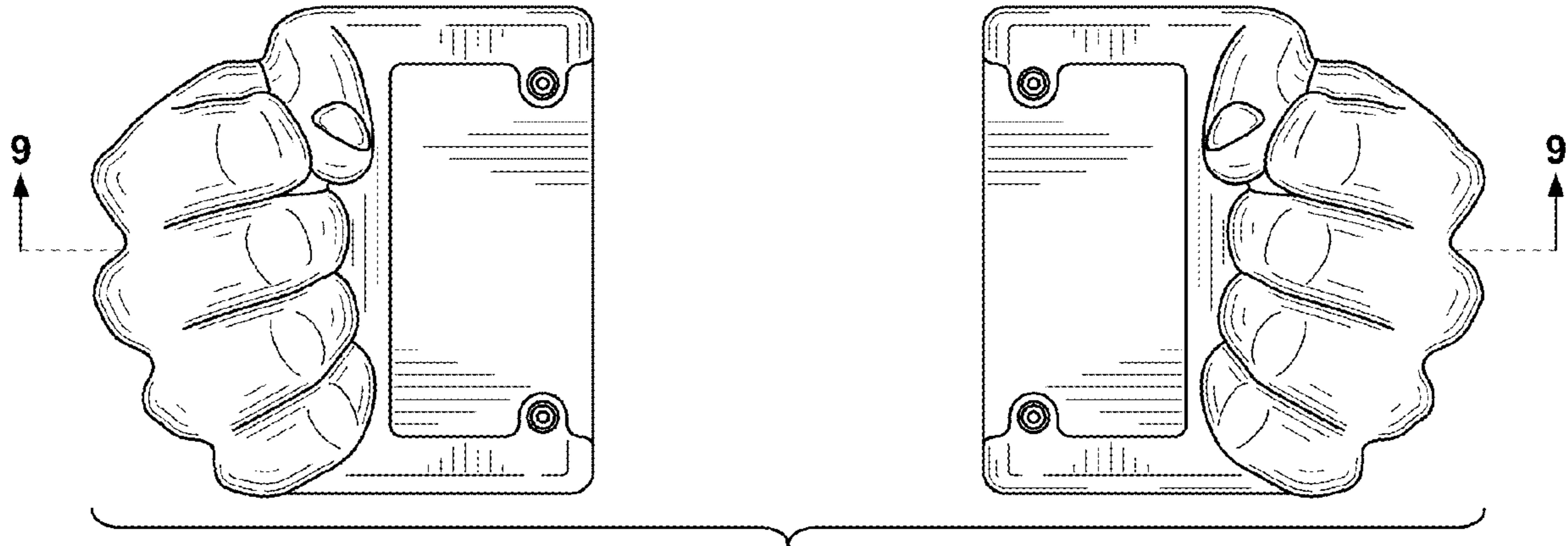


FIG. 2

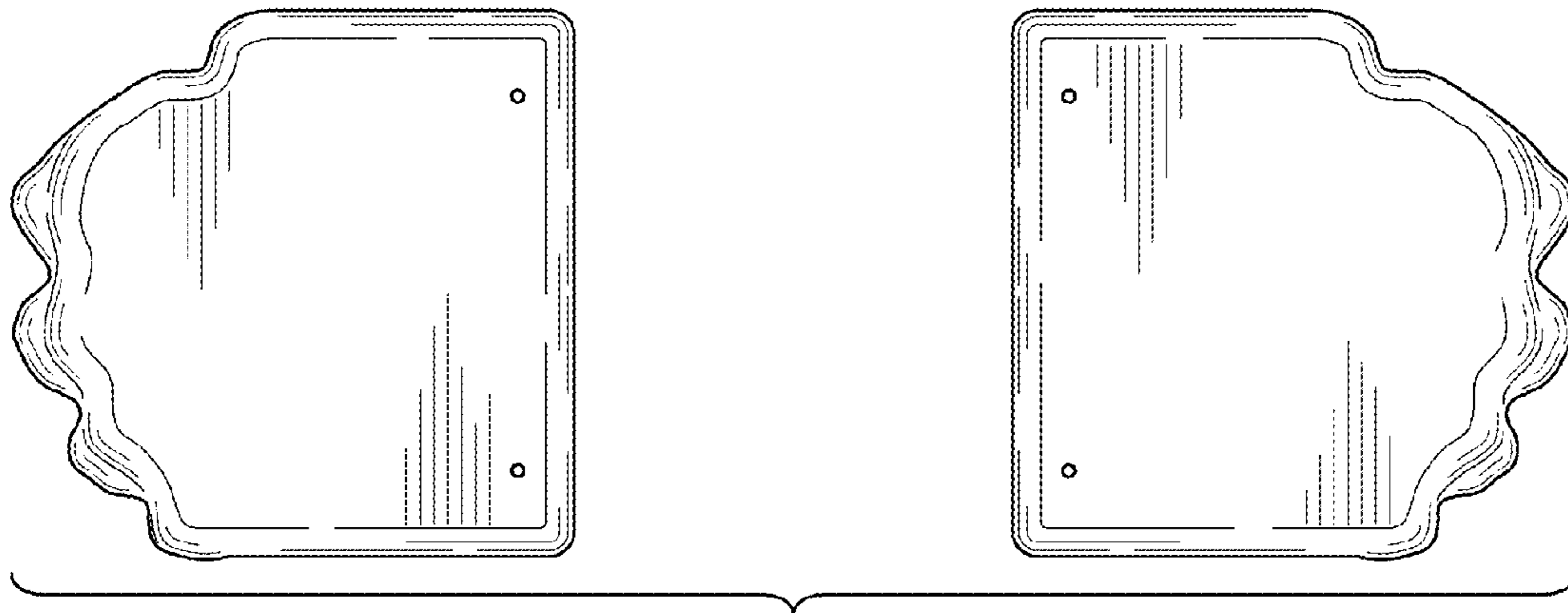


FIG. 3

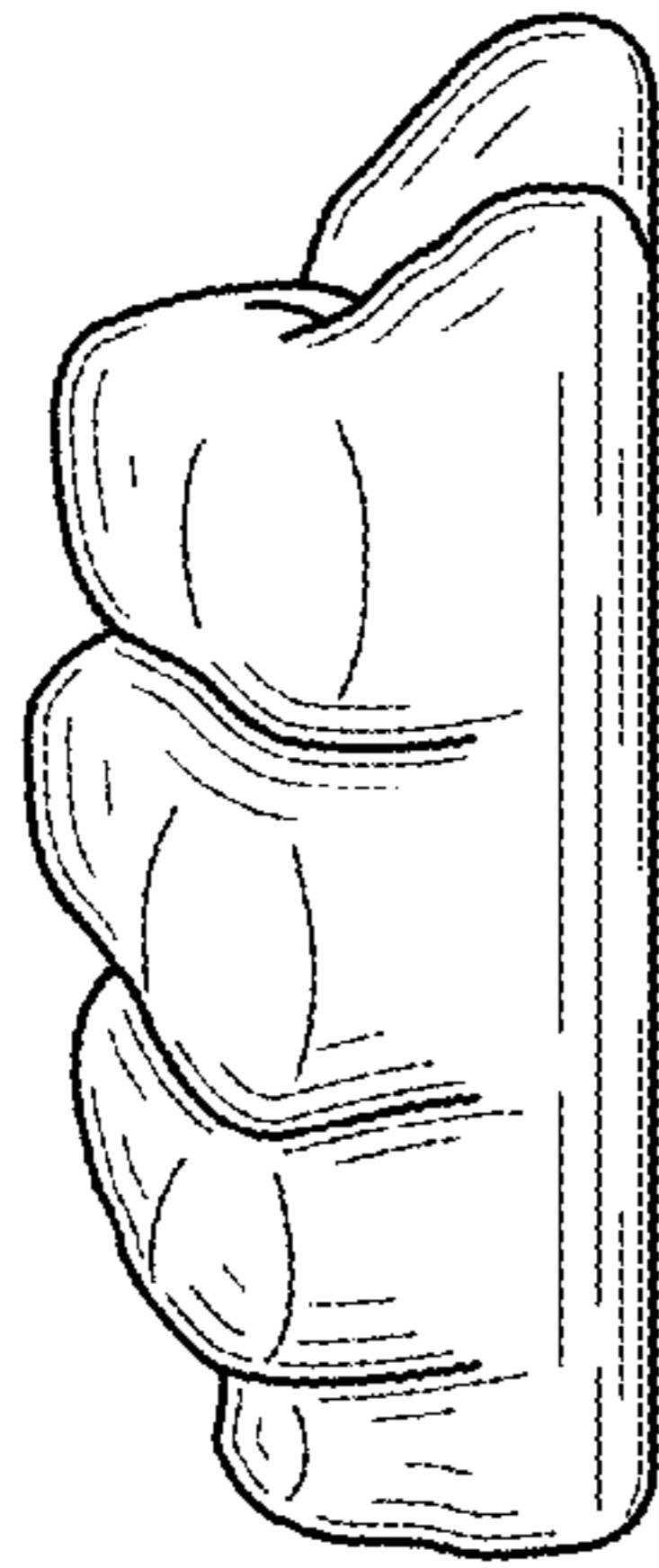


FIG. 4

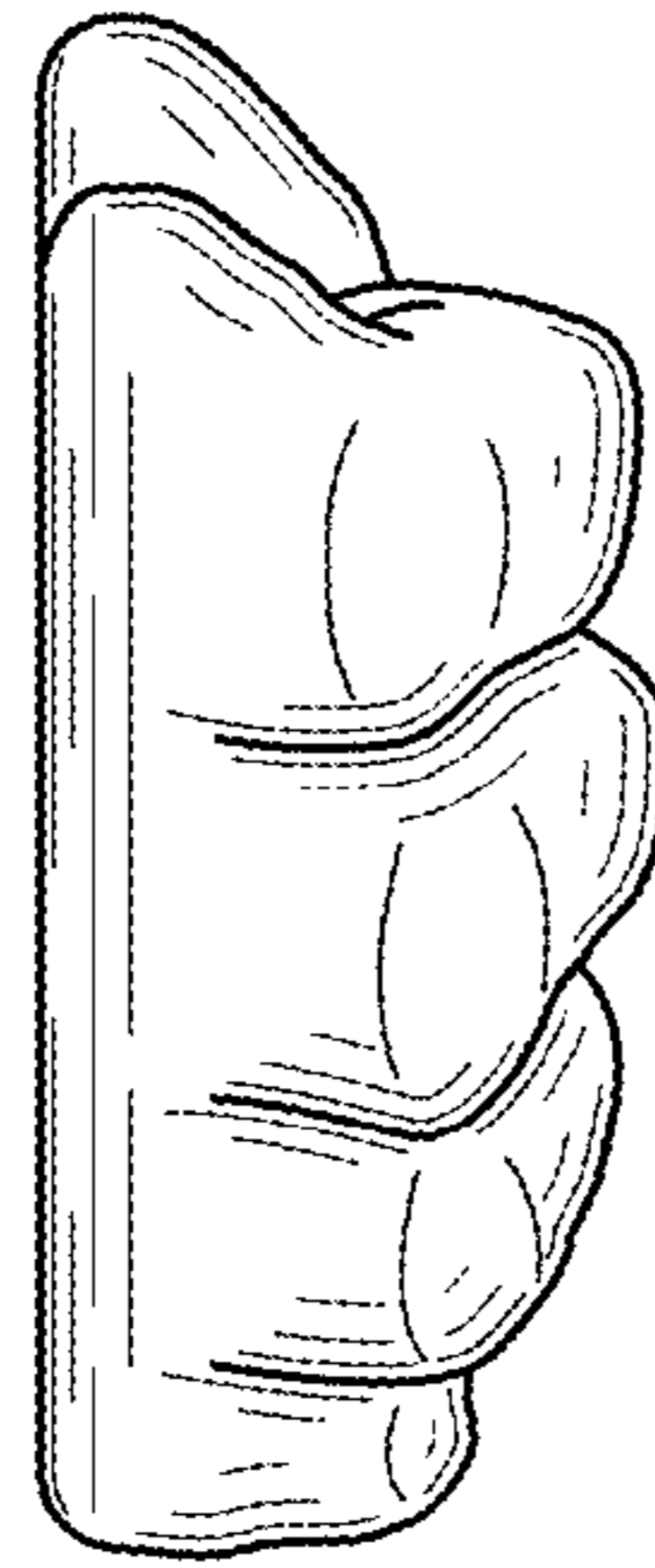


FIG. 5

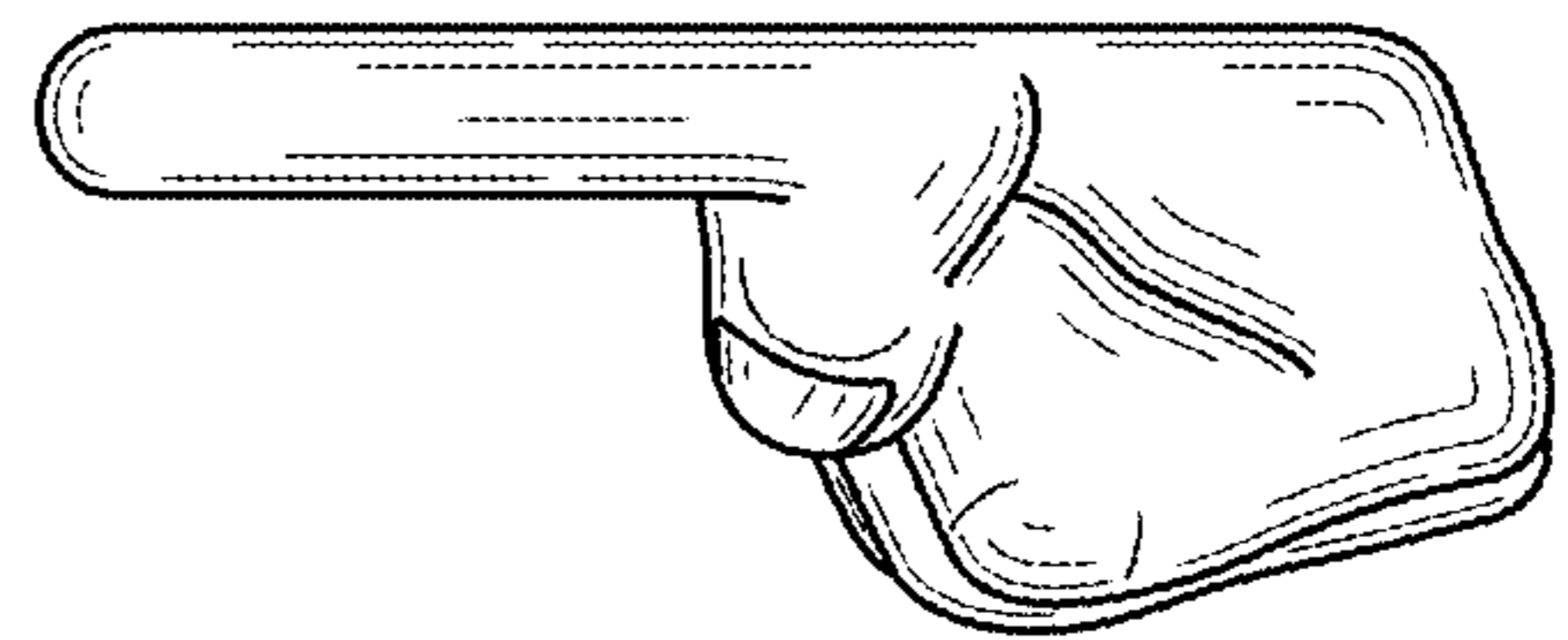
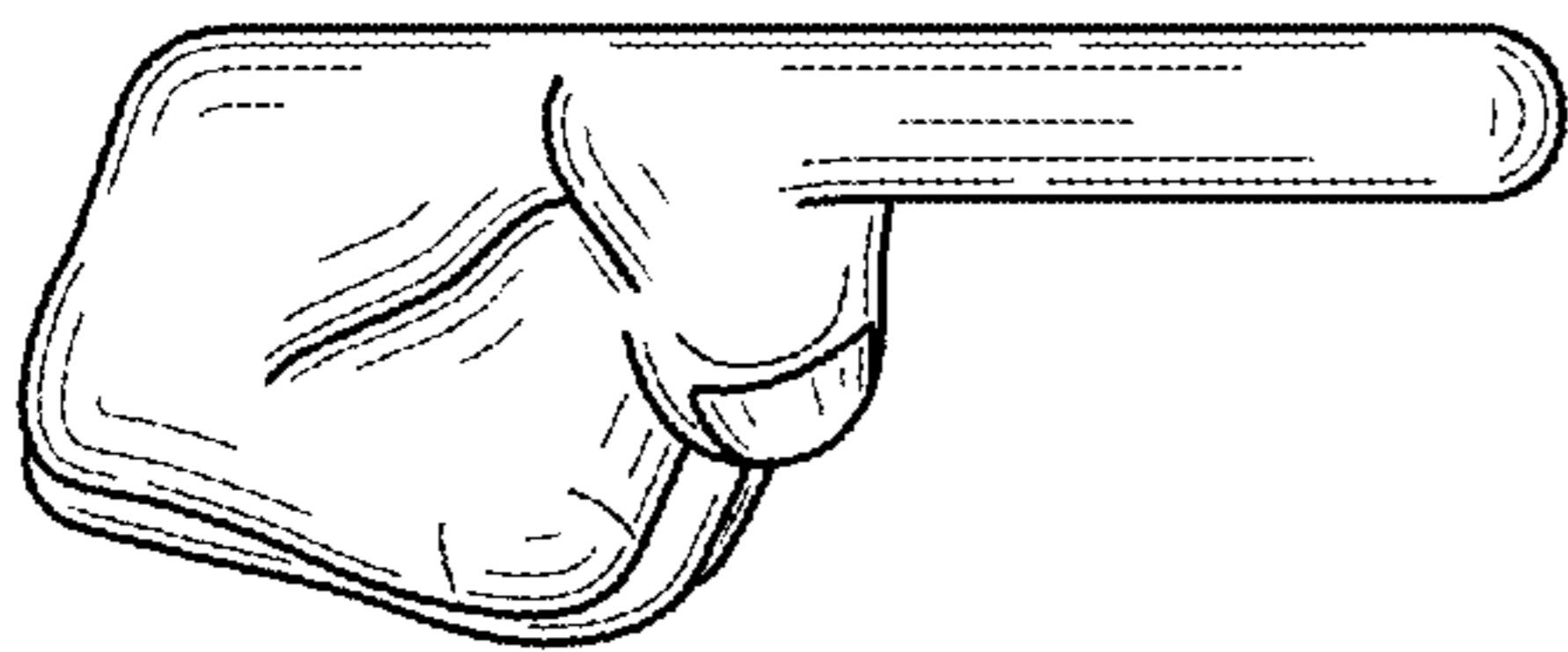


FIG. 6

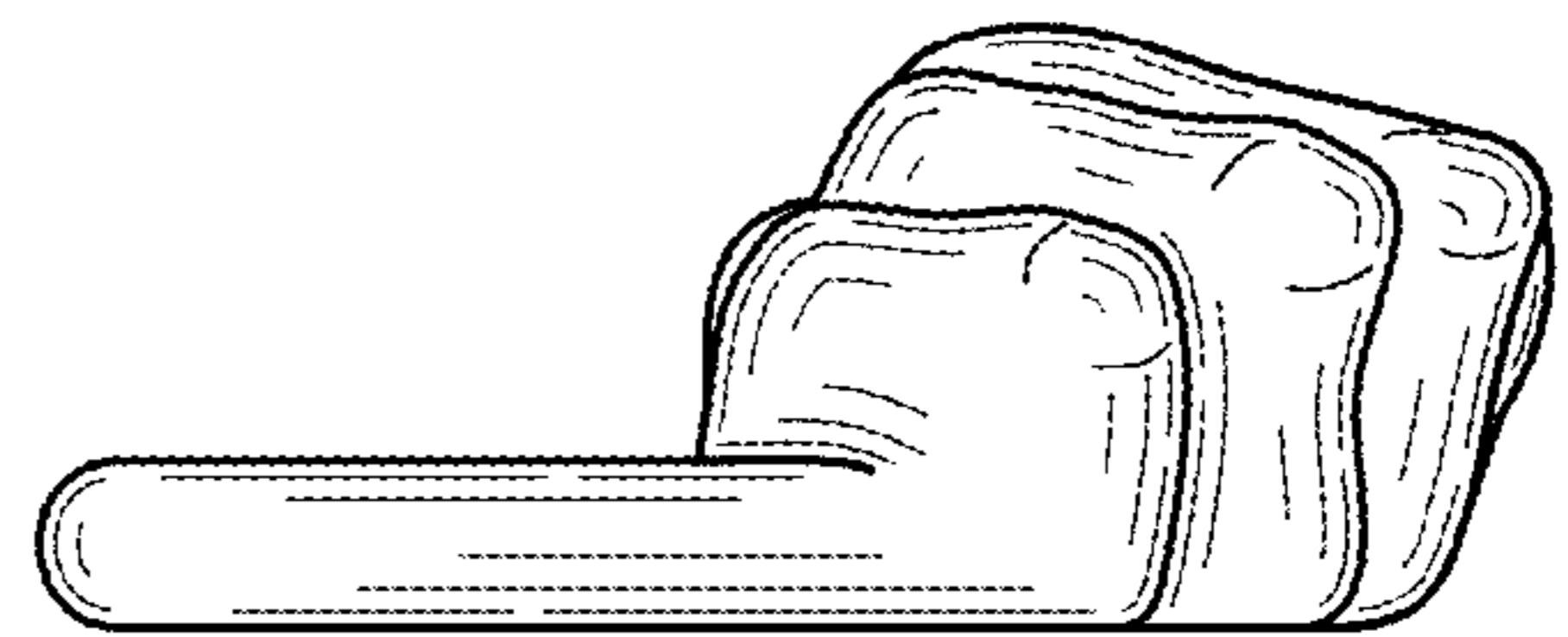
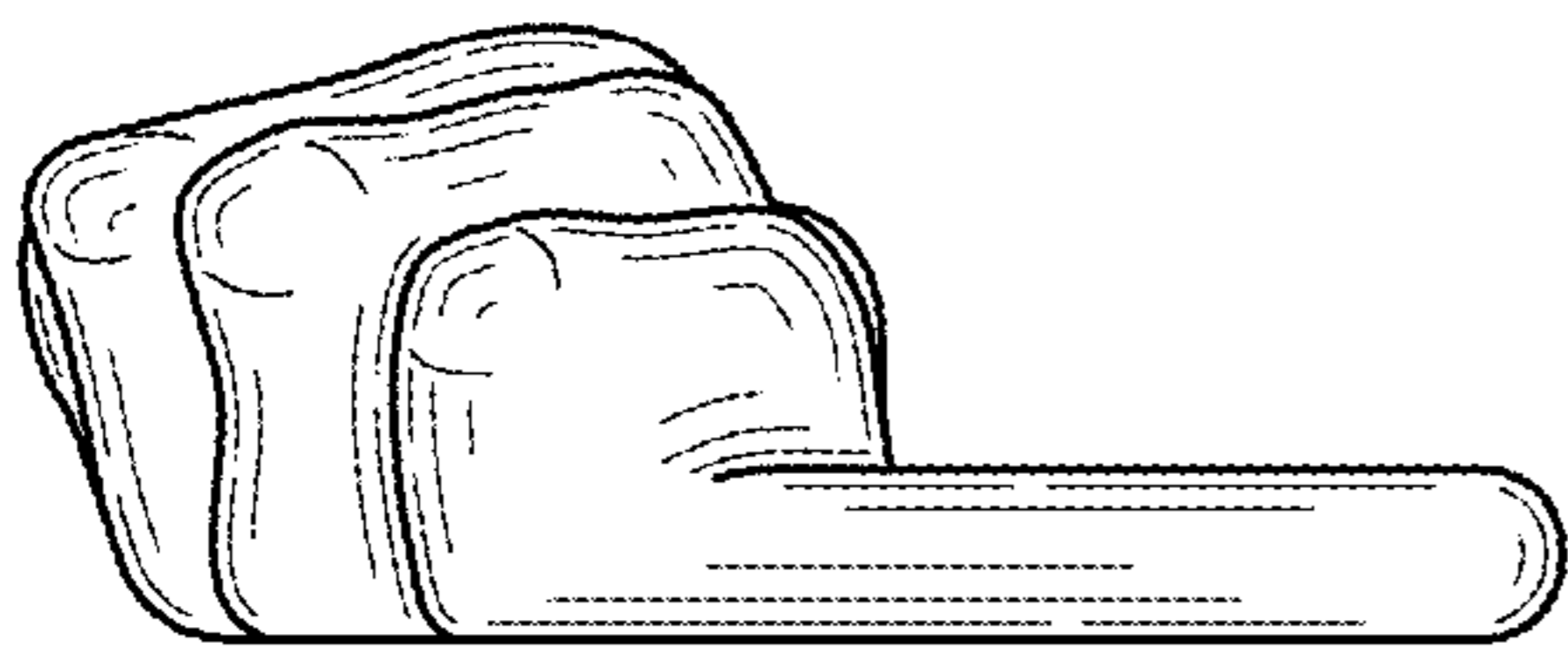


FIG. 7

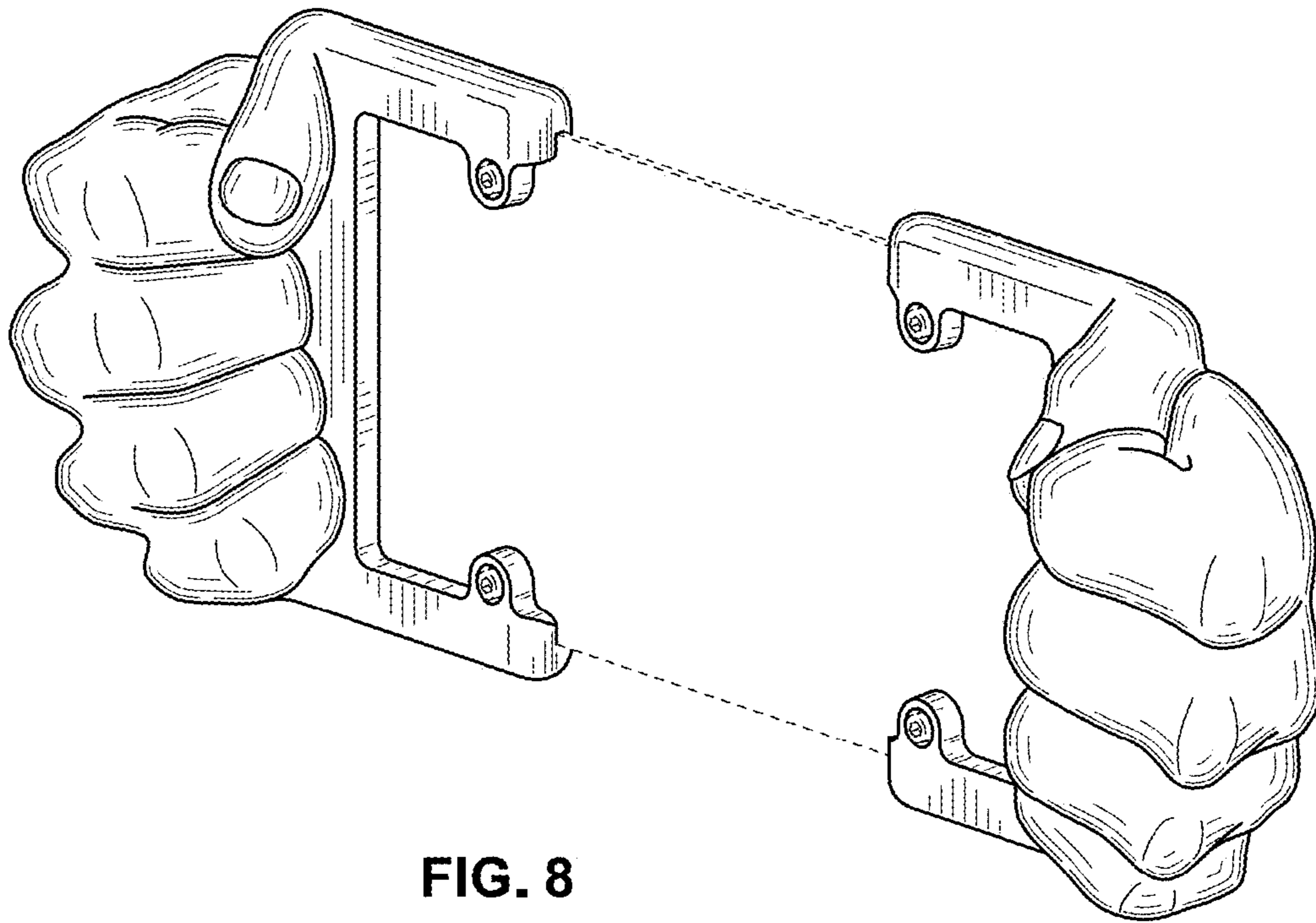


FIG. 8

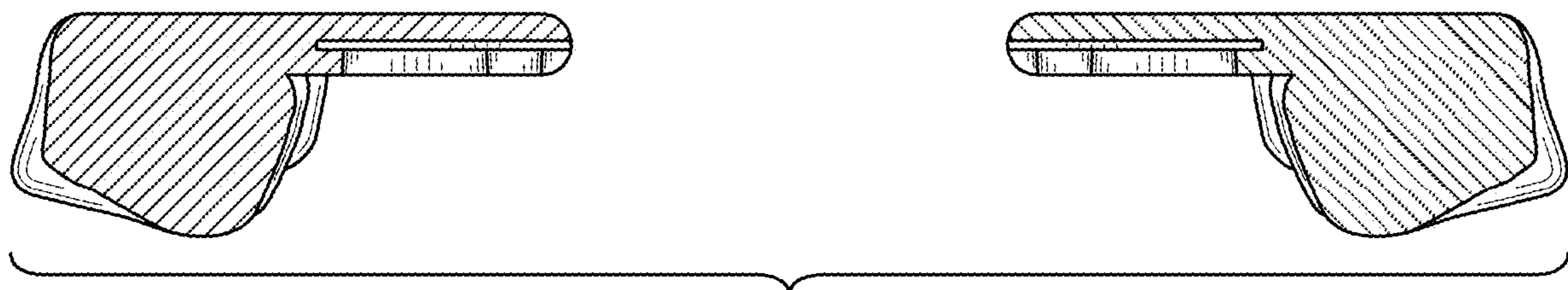


FIG. 9