



US00D870622S

(12) **United States Design Patent** (10) **Patent No.:** **US D870,622 S**  
**Chen** (45) **Date of Patent:** **\*\* Dec. 24, 2019**

(54) **REARVIEW MIRROR**  
(71) Applicant: **CHRIS CAM INDUSTRY INC.,**  
Tainan (TW)  
(72) Inventor: **Cheng-Chung Chen,** Tainan (TW)  
(73) Assignee: **Chris Cam Industry Inc.,** Tainan (TW)  
(\*\*) Term: **15 Years**  
(21) Appl. No.: **29/642,894**  
(22) Filed: **Apr. 3, 2018**  
(51) **LOC (12) Cl.** ..... **12-16**  
(52) **U.S. Cl.**  
USPC ..... **D12/187**  
(58) **Field of Classification Search**  
USPC ..... D12/187, 188, 189, 195, 179, 192;  
D6/300  
CPC ..... B60R 1/074; B60R 1/075; B60R 1/078;  
B60R 1/081; B60R 1/082; B60R 1/06;  
B60R 1/076; B60R 1/08; G02B 7/18;  
G02B 7/182; G02B 5/08  
See application file for complete search history.

D642,504 S \* 8/2011 Tonello ..... D12/187  
D644,151 S \* 8/2011 Chen ..... D12/187  
D663,662 S \* 7/2012 Hamilton ..... D12/187  
D688,175 S \* 8/2013 Campbell ..... D12/187  
D688,176 S \* 8/2013 Campbell ..... D12/187  
D691,077 S \* 10/2013 Davis ..... D12/187

(Continued)

**FOREIGN PATENT DOCUMENTS**

ES 2168071 \* 5/2002 ..... B60Q 1/26  
JP 2015024755 \* 2/2015 ..... B60R 1/06

**OTHER PUBLICATIONS**

Replace—Towing Mirrors, CaridID.com, [online], [site visited Aug. 15, 2019]. <URL: <https://www.carid.com/replace/towing-mirrors.html>> (Year: 2019).\*

(Continued)

*Primary Examiner* — T Chase Nelson  
*Assistant Examiner* — Jonathan J. Han  
(74) *Attorney, Agent, or Firm* — Rosenberg, Klein & Lee

(57) **CLAIM**

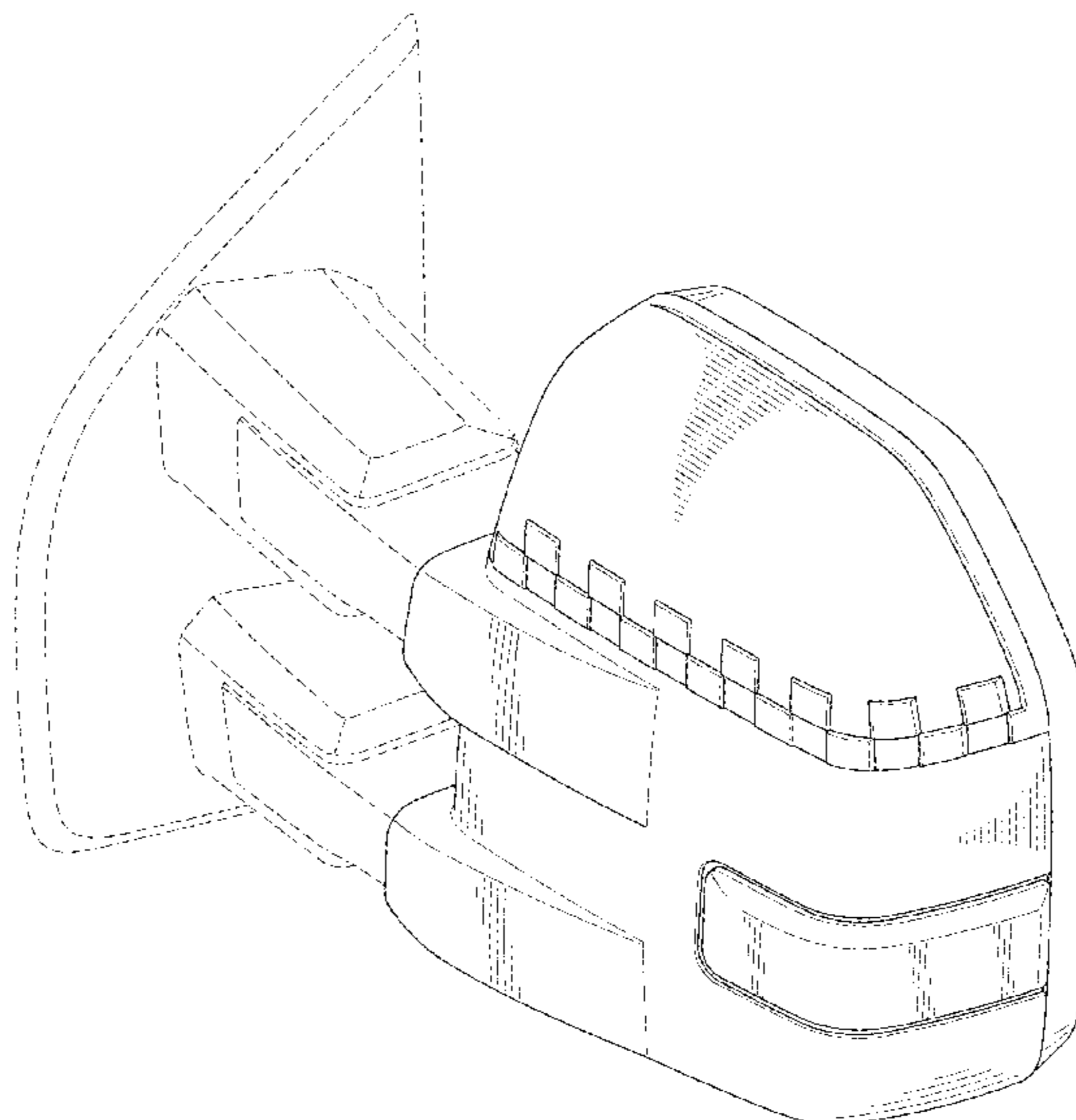
The ornamental design for a rearview mirror, as shown and described.

**DESCRIPTION**

FIG. 1 is a perspective view of a rearview mirror showing my new design;  
FIG. 2 is a front elevational view thereof;  
FIG. 3 is a rear elevational view thereof;  
FIG. 4 is a left side elevational view thereof;  
FIG. 5 is a right side elevational view thereof;  
FIG. 6 is a top plan view thereof; and,  
FIG. 7 is a bottom plan view thereof.  
The broken lines shown in the figures are included for illustrating unclaimed portions of the rearview mirror and form no part of the claimed design.

**1 Claim, 7 Drawing Sheets**

(56) **References Cited**  
**U.S. PATENT DOCUMENTS**  
D422,955 S \* 4/2000 Gabath ..... D12/187  
D500,274 S \* 12/2004 Pfeiffer ..... D12/187  
D543,918 S \* 6/2007 Pfeiffer ..... D12/187  
D549,625 S \* 8/2007 Pfeiffer ..... D12/187  
D587,638 S \* 3/2009 Futschik ..... D12/187  
D603,774 S \* 11/2009 Chen ..... D12/187  
D606,470 S \* 12/2009 Mattin ..... D12/187  
D616,344 S \* 5/2010 Bauer ..... D12/187  
D631,804 S \* 2/2011 Chen ..... D12/187  
D631,805 S \* 2/2011 Chen ..... D12/187  
D633,422 S \* 3/2011 Futschik ..... D12/187  
D636,307 S \* 4/2011 Lamm ..... D12/187  
D636,309 S \* 4/2011 Matei ..... D12/187  
D636,310 S \* 4/2011 Matei ..... D12/187



(56)

**References Cited**

## U.S. PATENT DOCUMENTS

|              |         |                   |         |
|--------------|---------|-------------------|---------|
| D709,414 S * | 7/2014  | Platto .....      | D12/187 |
| D730,254 S * | 5/2015  | Glover .....      | D12/187 |
| D761,173 S * | 7/2016  | Faghihzadeh ..... | D12/187 |
| D776,588 S * | 1/2017  | Chen .....        | D12/187 |
| D777,068 S * | 1/2017  | Sterner .....     | D12/187 |
| D786,756 S * | 5/2017  | Chen .....        | D12/187 |
| D786,757 S * | 5/2017  | Chen .....        | D12/187 |
| D804,378 S * | 12/2017 | Perkins .....     | D12/187 |
| D804,379 S * | 12/2017 | McMahan .....     | D12/187 |
| D807,263 S * | 1/2018  | Piscitelli .....  | D12/187 |
| D809,442 S * | 2/2018  | Zipfel .....      | D12/187 |
| D840,885 S * | 2/2019  | Park Cheng .....  | D12/187 |
| D855,523 S * | 8/2019  | Perkins .....     | D12/187 |

## OTHER PUBLICATIONS

DEDC Ford Towing Mirror Right Passenger Side Mirror, Amazon.com, Date First Available: Jul. 17, 2015, [online], [site visited Aug. 15, 2019]. <URL: <https://www.amazon.com/DEDC-Towing-Mirror-Passenger-Mirrors/dp/B011TGTKUC>> (Year: 2015).\*

Maxiii Trailer Mirror for Ford F250 F350 F450 F550 Super Duty 1999-2007, 2000-2005 Ford Excursion Towing Mirror, Amazon.com, Date First Available: Jul. 24, 2019, [online], [site visited Aug. 15, 2019]. <URL: [https://www.amazon.com/dp/B07VQRTLP3/ref=sspa\\_dk\\_detail\\_3?psc=1&pd\\_rd\\_i=B07VQRTLP3&](https://www.amazon.com/dp/B07VQRTLP3/ref=sspa_dk_detail_3?psc=1&pd_rd_i=B07VQRTLP3&)> (Year: 2019).\*

\* cited by examiner

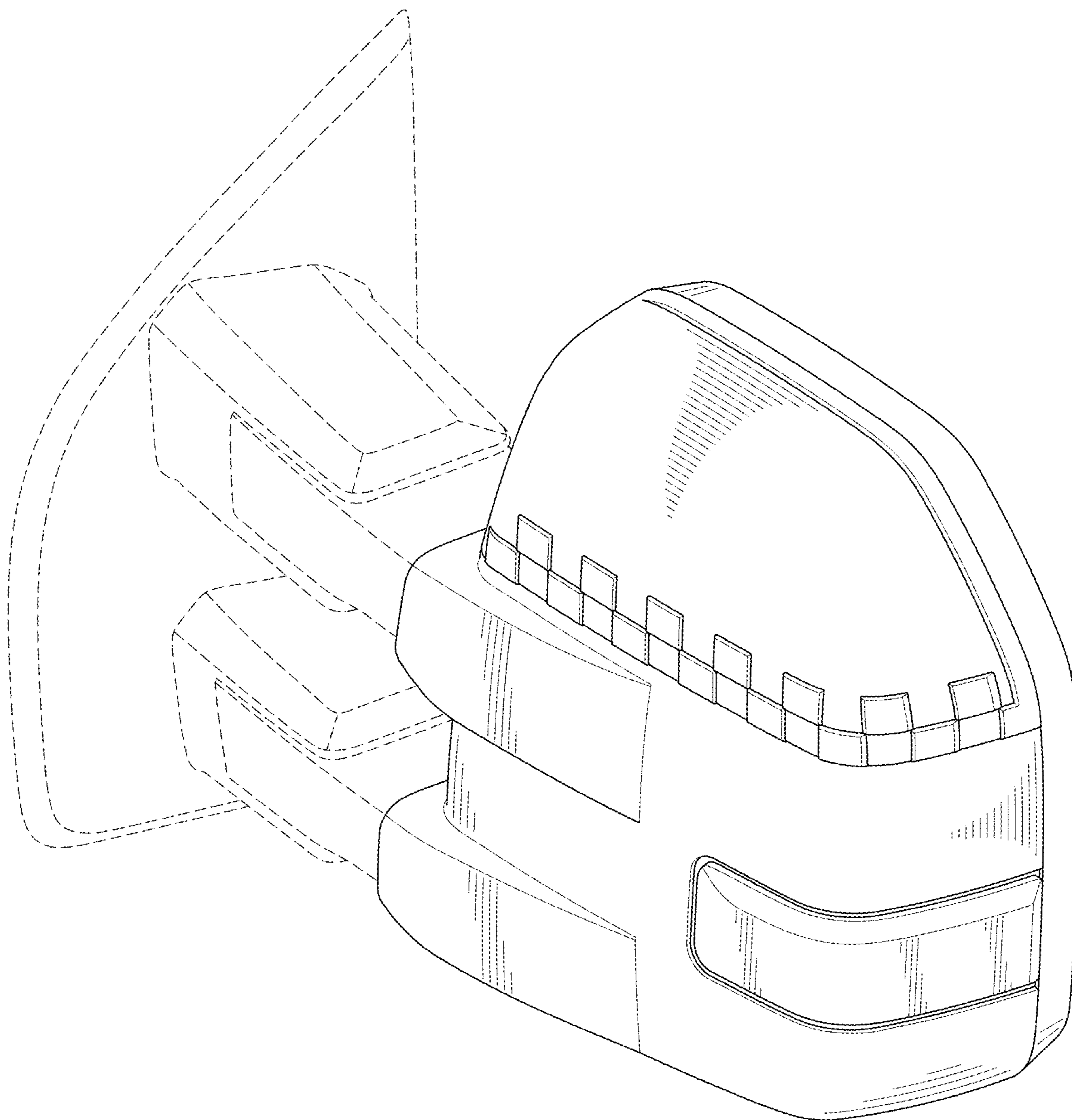


FIG. 1

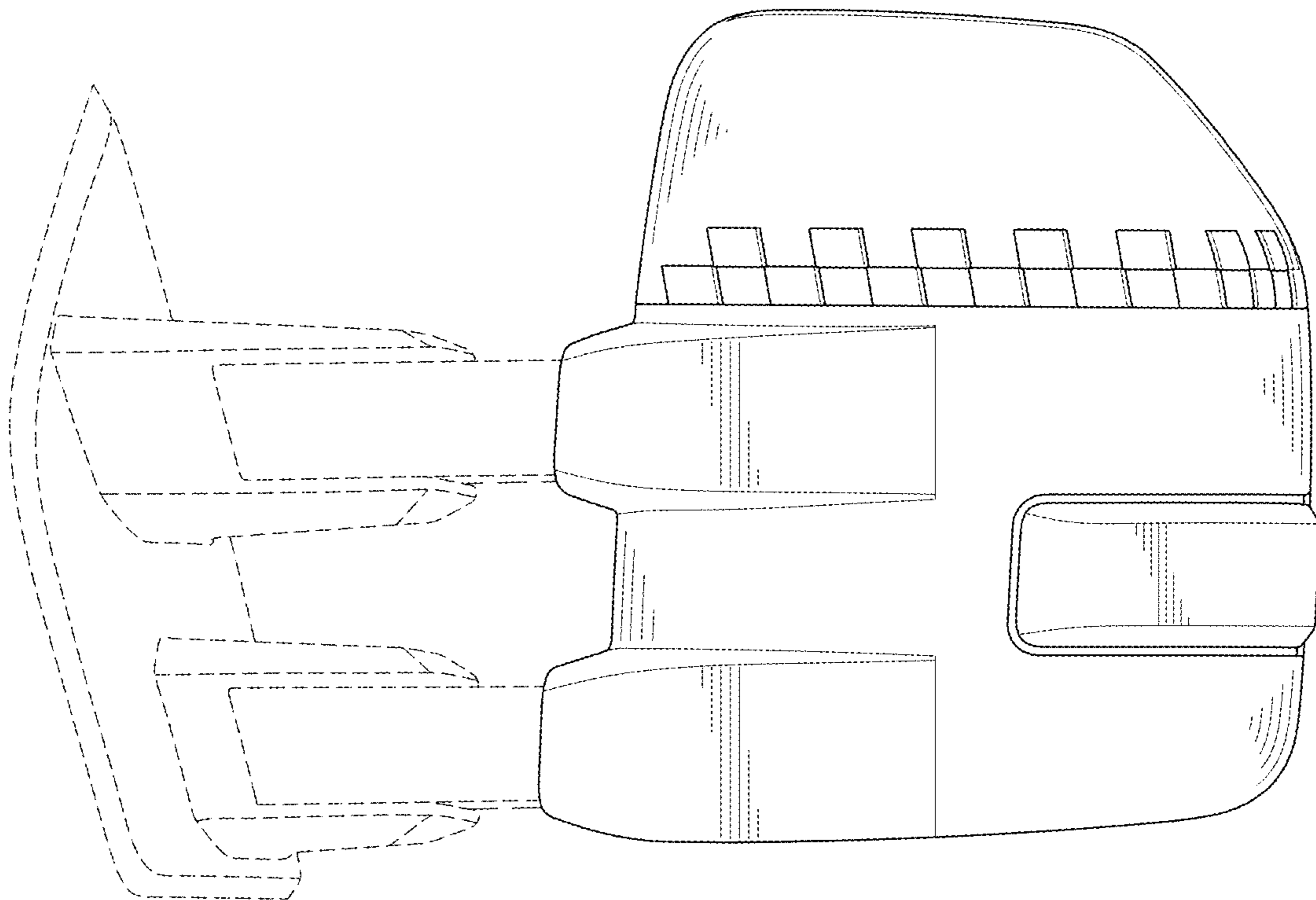


FIG. 2

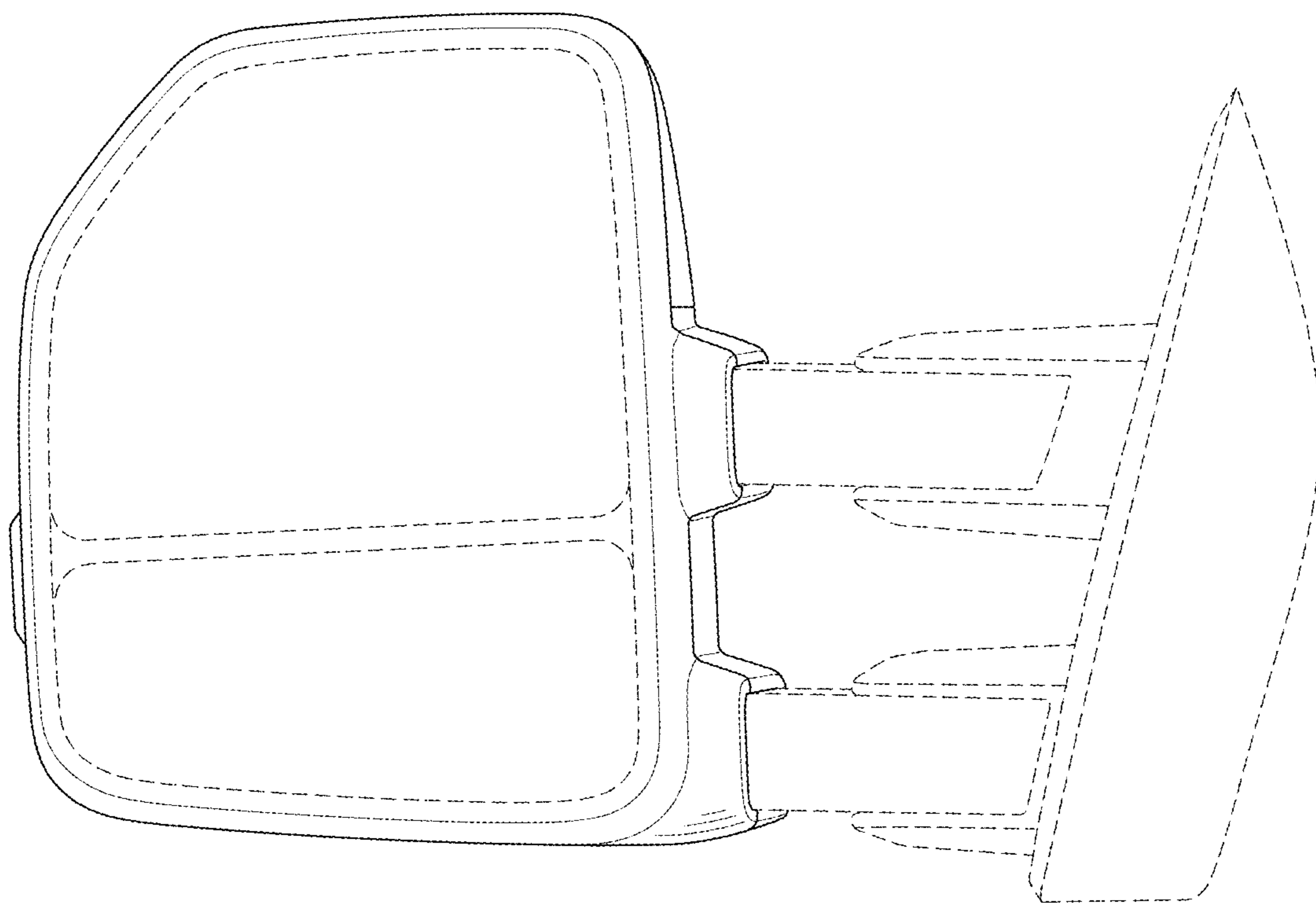


FIG. 3

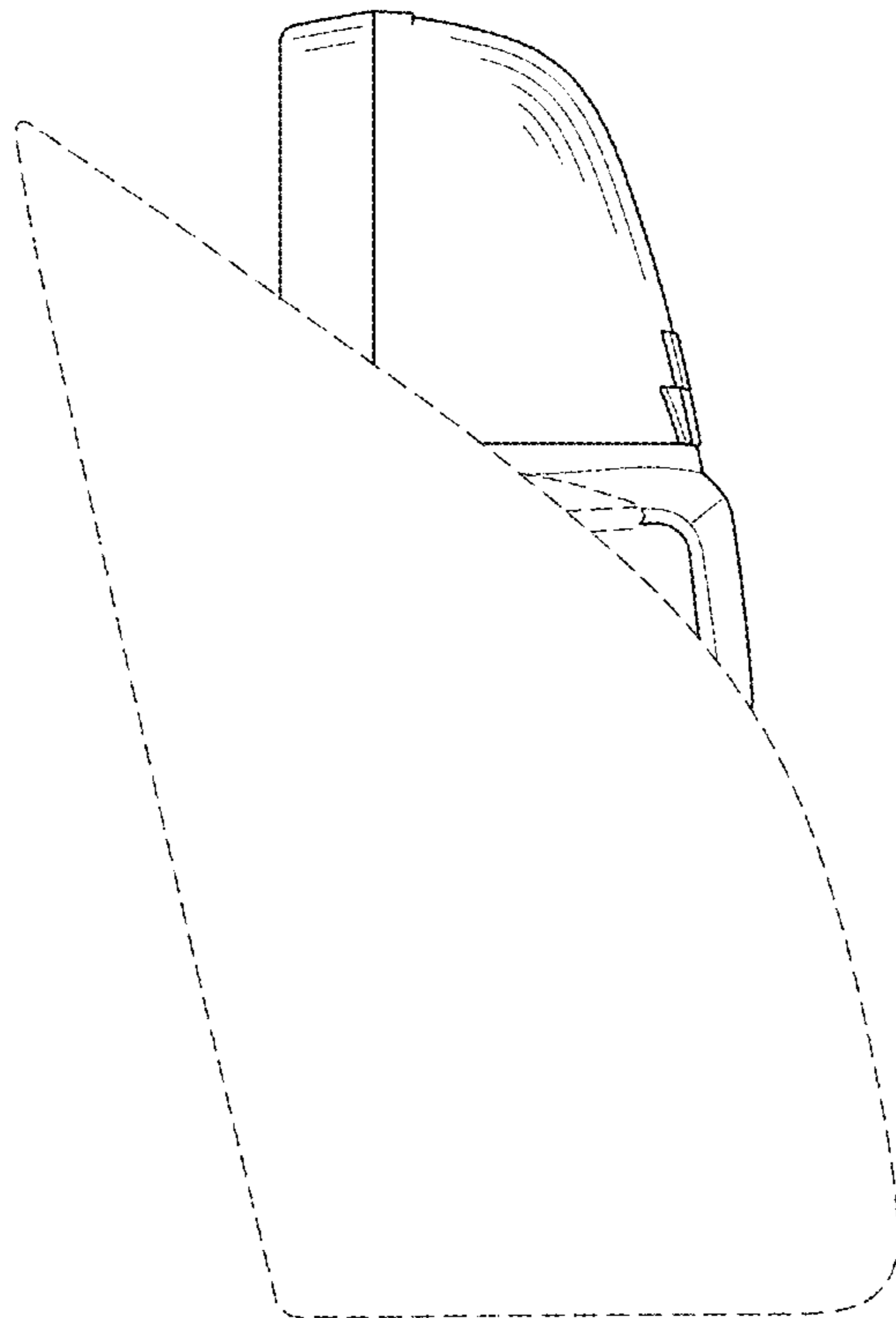


FIG. 4

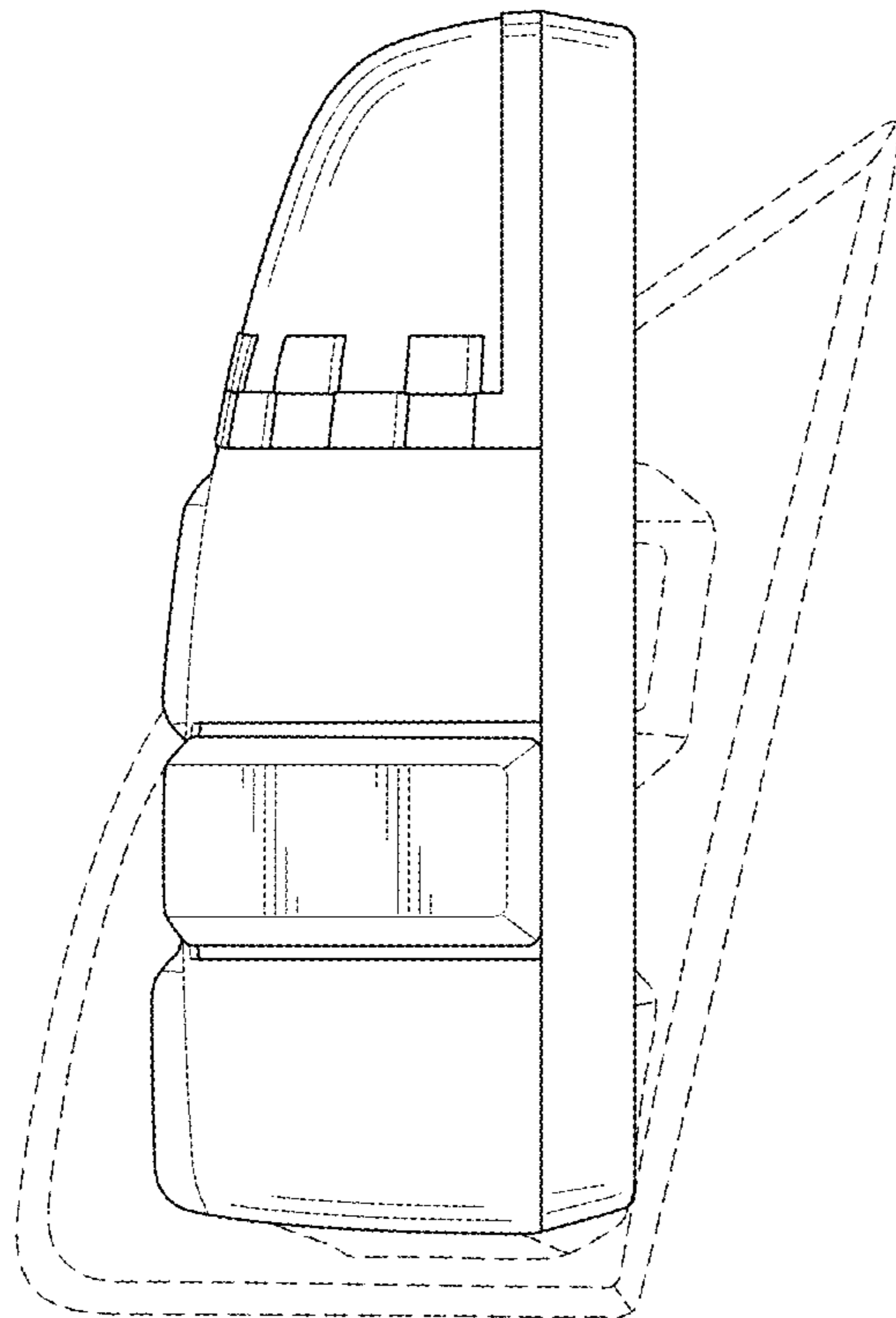


FIG. 5

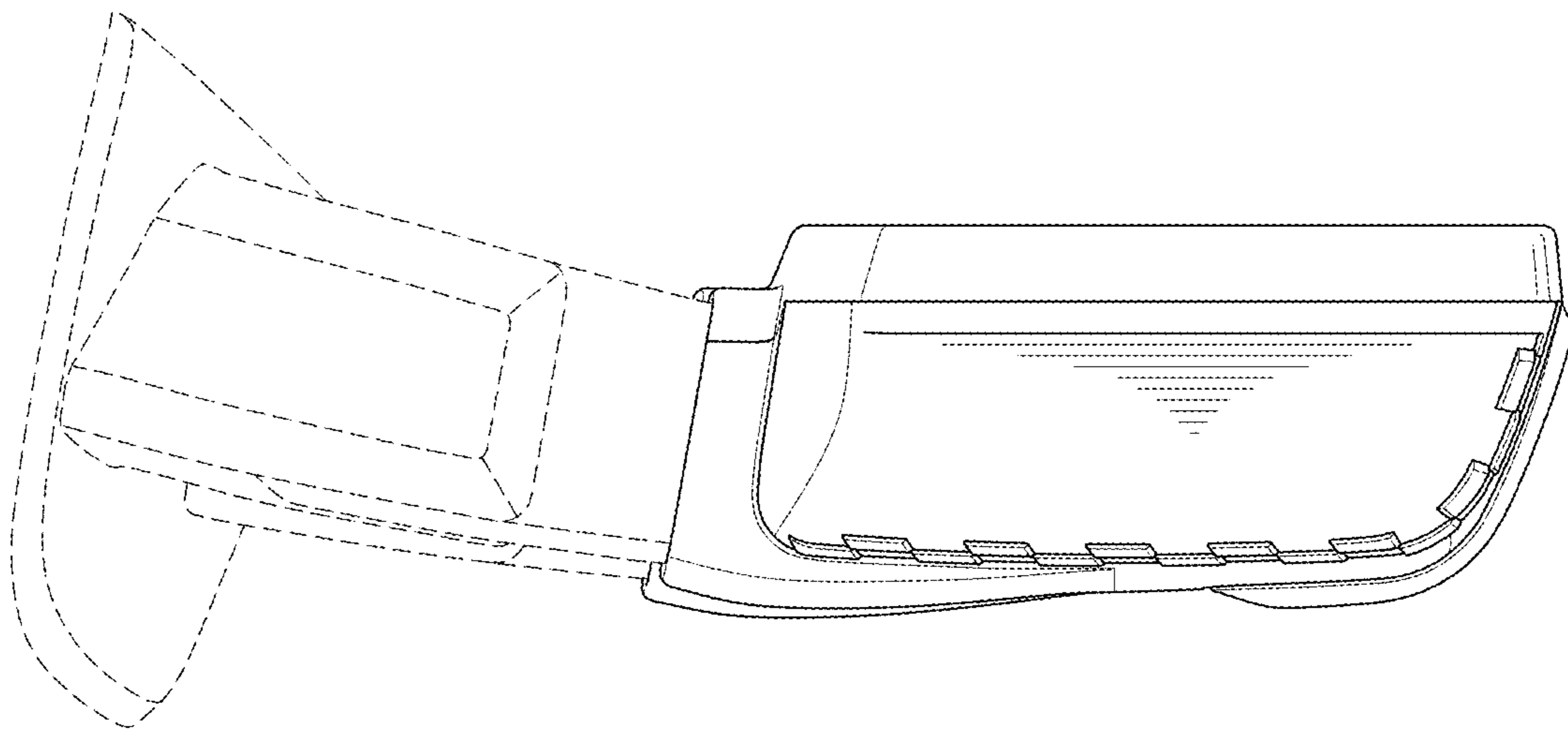


FIG. 6



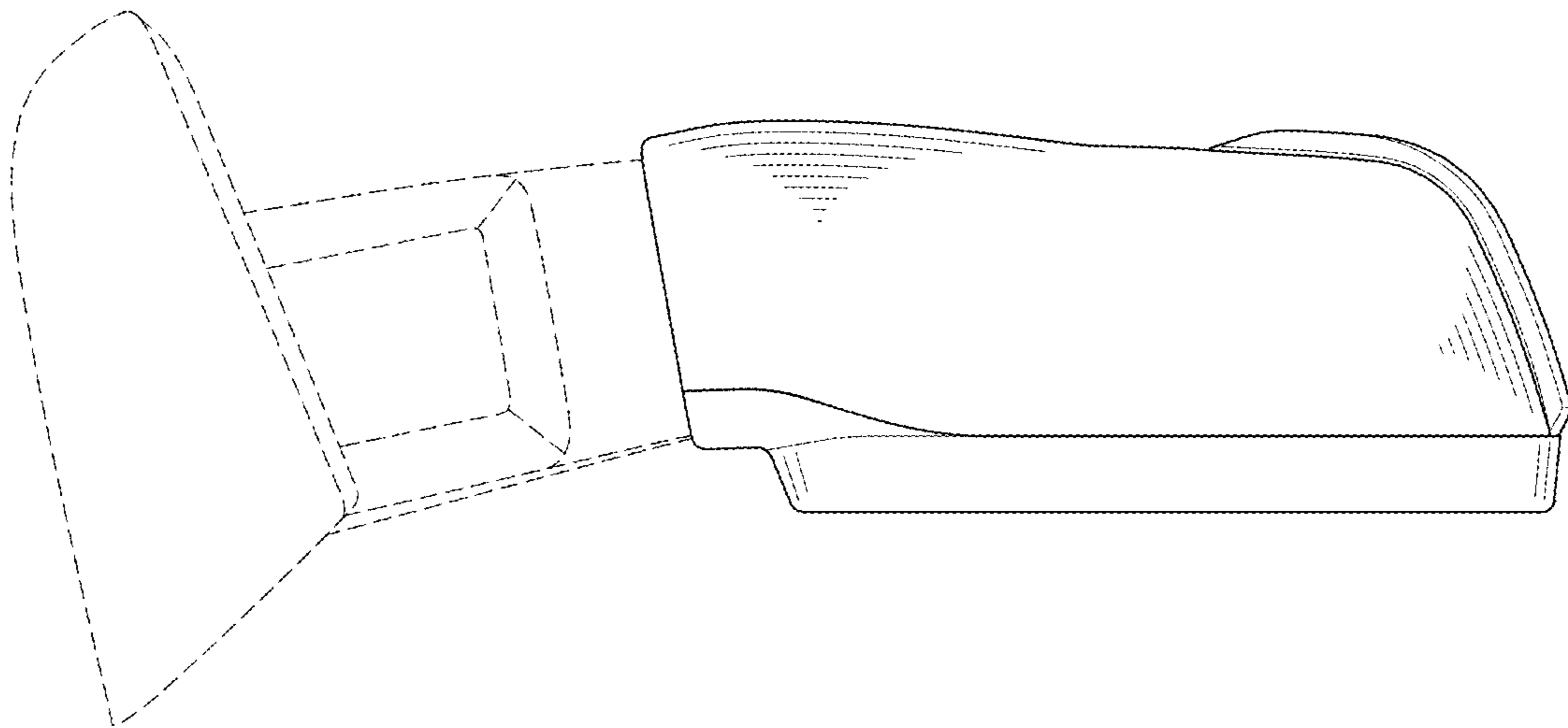


FIG. 7