



US00D870620S

(12) **United States Design Patent** (10) **Patent No.:** **US D870,620 S**
Hallgren (45) **Date of Patent:** **** Dec. 24, 2019**

(54) **FENDER COMPONENT FOR VEHICLE**

(71) Applicant: **Volvo Construction Equipment AB,**
Eskilstuna (SE)

(72) Inventor: **Michael Hallgren,** Pixbo (SE)

(73) Assignee: **VOLVO CONSTRUCTION**
EQUIPMENT AB, Eskilstuna (SE)

(**) Term: **15 Years**

(21) Appl. No.: **29/599,759**

(22) Filed: **Apr. 6, 2017**

(30) **Foreign Application Priority Data**

Apr. 6, 2017 (EM) 003844380
Apr. 6, 2017 (EM) 003844406
Apr. 6, 2017 (EM) 003844638

(51) **LOC (12) Cl.** **12-16**

(52) **U.S. Cl.**
USPC **D12/184**

(58) **Field of Classification Search**
USPC D12/184, 82, 86, 12, 90, 91, 93, 95, 96,
D12/97, 99, 175, 177, 181, 196; 280/851
CPC B62D 25/18; B62D 25/184; B60R 13/00
See application file for complete search history.

(56) **References Cited**

U.S. PATENT DOCUMENTS

2,868,310 A * 1/1959 Lee B62D 25/10
180/69.2
D382,844 S * 8/1997 Norwood D12/184
D560,149 S * 1/2008 Leclercq D12/184
D621,756 S * 8/2010 Angelo D12/184
D660,207 S * 5/2012 Hanson D12/184
D694,683 S * 12/2013 Lee D12/184
D785,523 S * 5/2017 McMath D12/184
D788,661 S * 6/2017 Henstridge D12/184

D791,657 S * 7/2017 Ito D12/184
D824,289 S * 7/2018 Lokers D12/96
2012/0274101 A1* 11/2012 Myslak B62D 25/18
296/198
2017/0253221 A1* 9/2017 Verhoff B62D 21/152

OTHER PUBLICATIONS

Images of Volvo Construction Equipment Hauler Model A45G, disclosed at Bauma Trade Fair, Munich, Germany, Apr. 11-17, 2016. Product Brochure for Volvo Construction Equipment Hauler Model A45G, dated Oct. 2016.

Images of Volvo Construction Equipment Excavator Model EC950E, disclosed at Bauma Trade Fair, Munich, Germany, Apr. 11-17, 2016. Images of Volvo Construction Equipment Excavator Model EC750E, disclosed to public May 2016.

* cited by examiner

Primary Examiner — Ian Simmons

Assistant Examiner — Yolanda Robinson

(74) *Attorney, Agent, or Firm* — Tucker Ellis LLP

(57) **CLAIM**

The ornamental design for a fender component for vehicle, as shown and described.

DESCRIPTION

FIG. 1 is a perspective view of a fender component for vehicle showing my new design.

FIG. 2 is another perspective view thereof.

FIG. 3 is a front view thereof.

FIG. 4 is a rear view thereof.

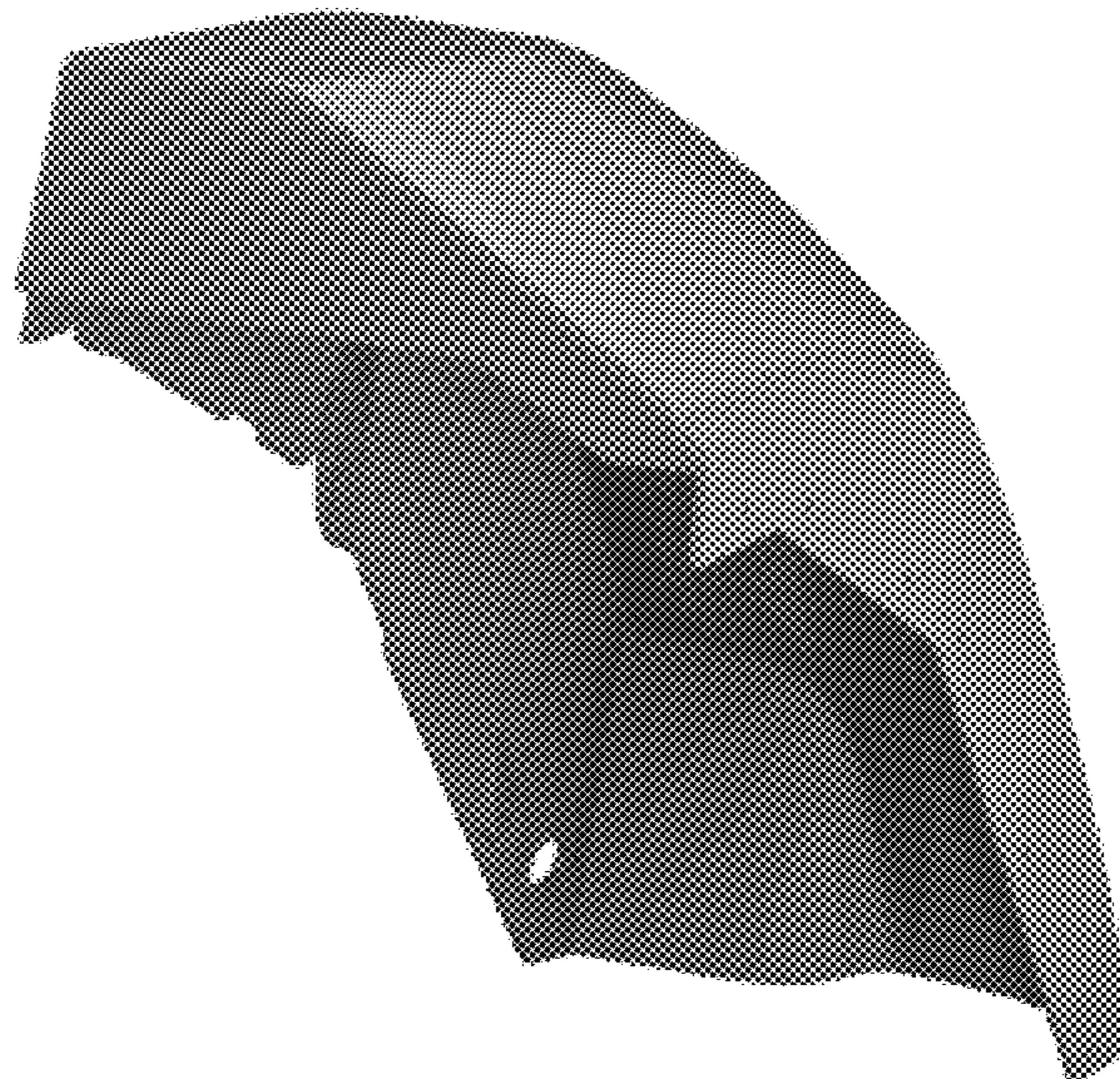
FIG. 5 is a left side thereof.

FIG. 6 is a right side thereof.

FIG. 7 is a top view thereof; and,

FIG. 8 is a bottom view thereof.

1 Claim, 8 Drawing Sheets



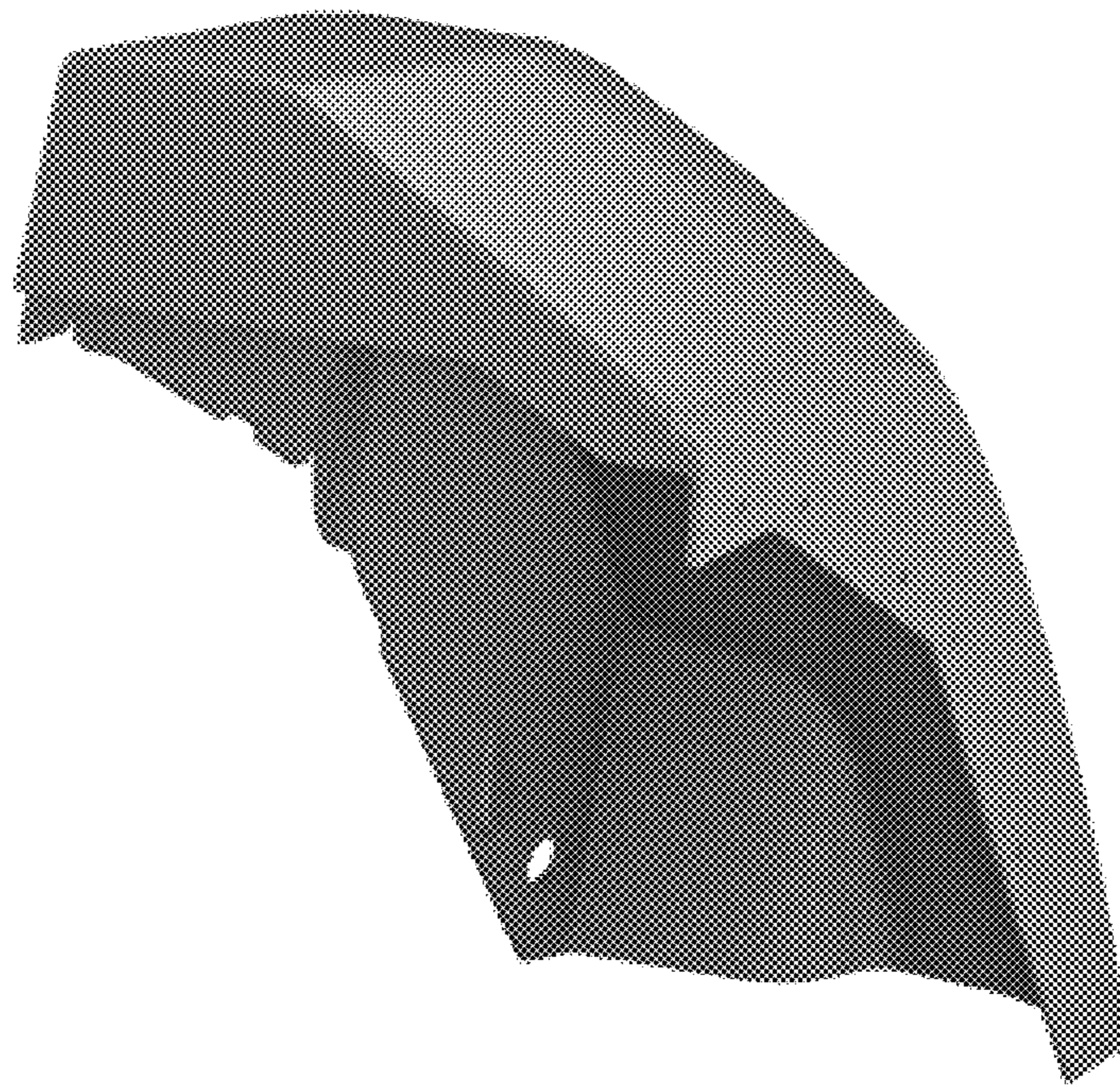


FIG. 1

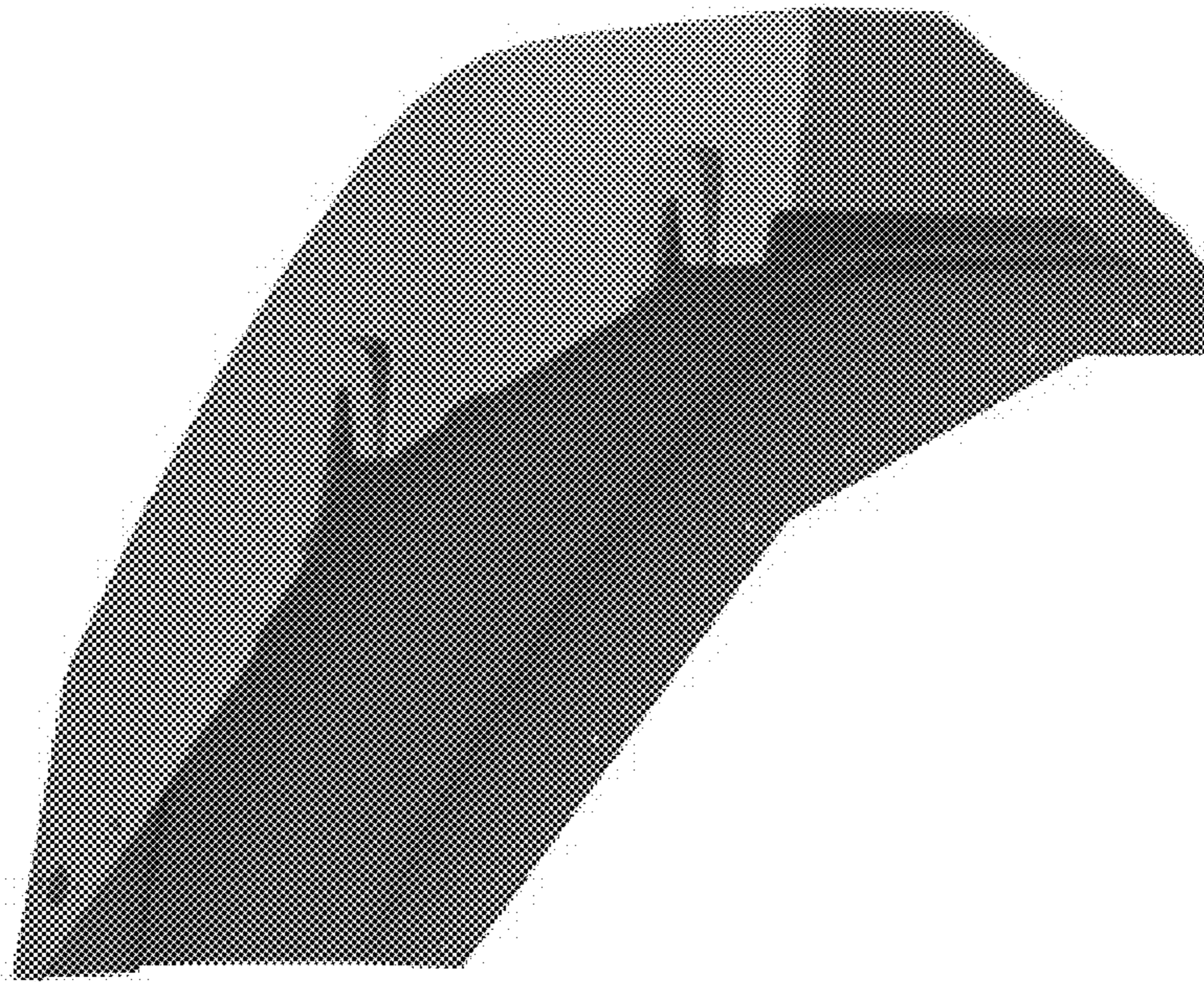


FIG. 2

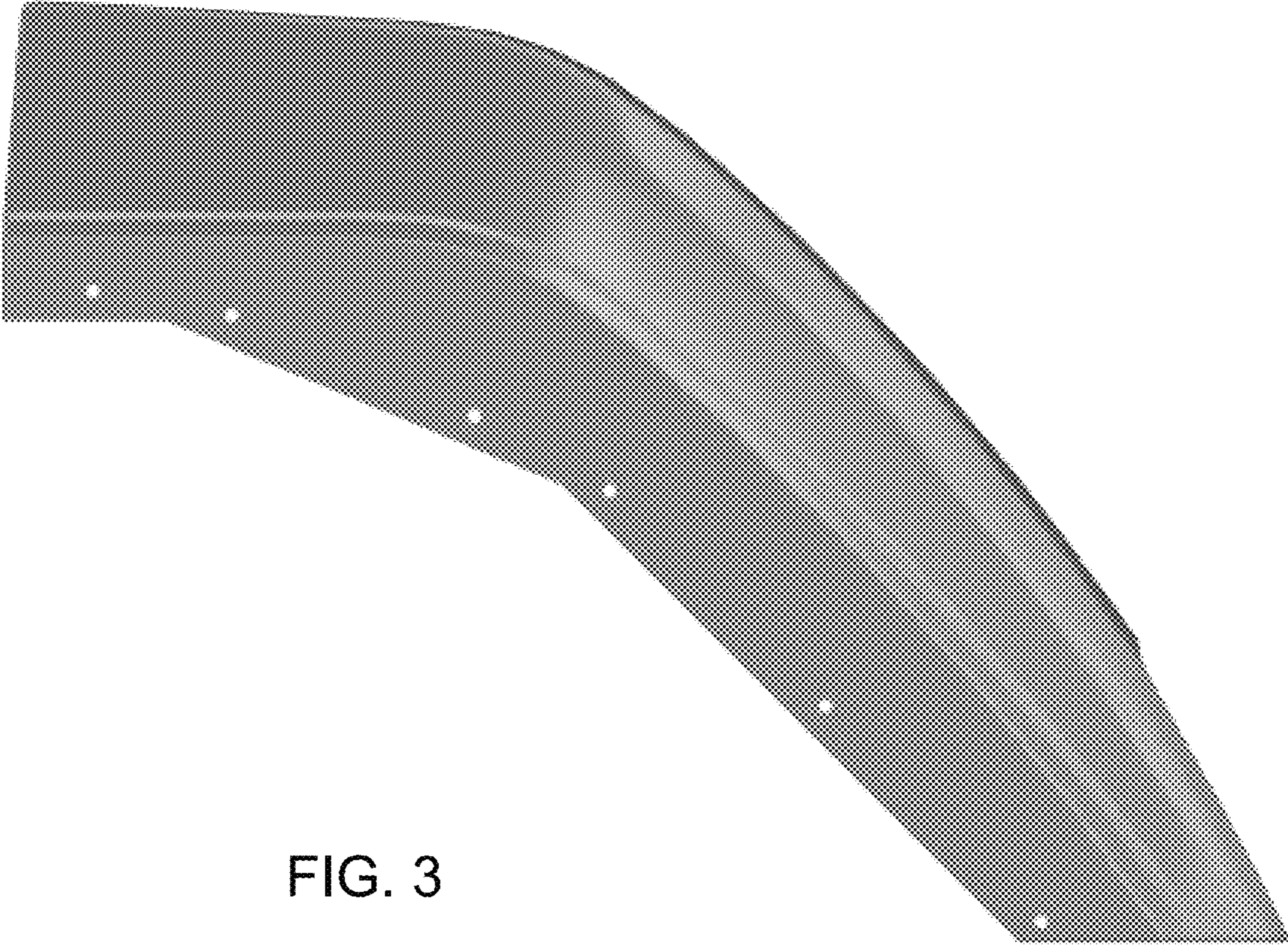


FIG. 3

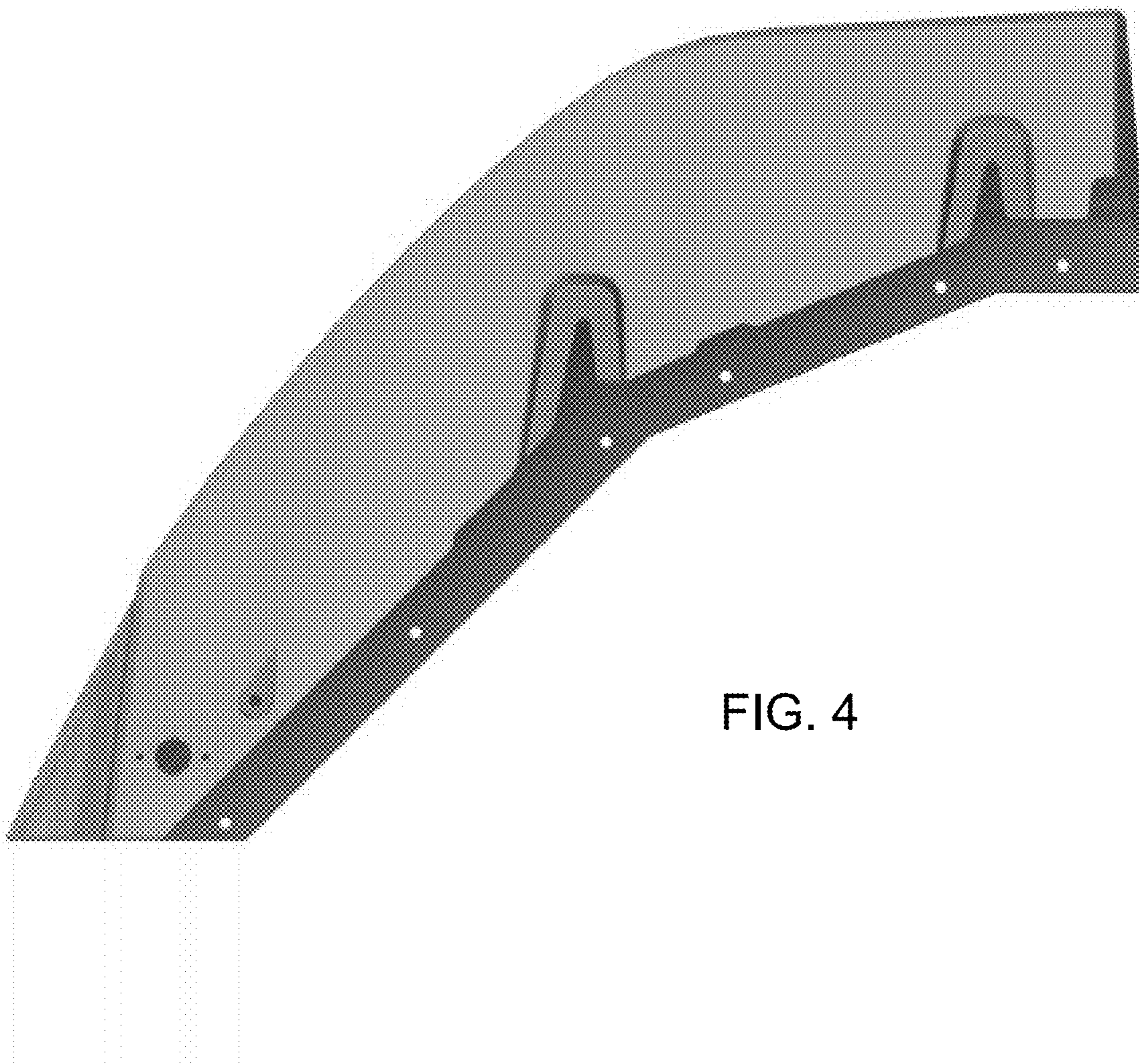


FIG. 4

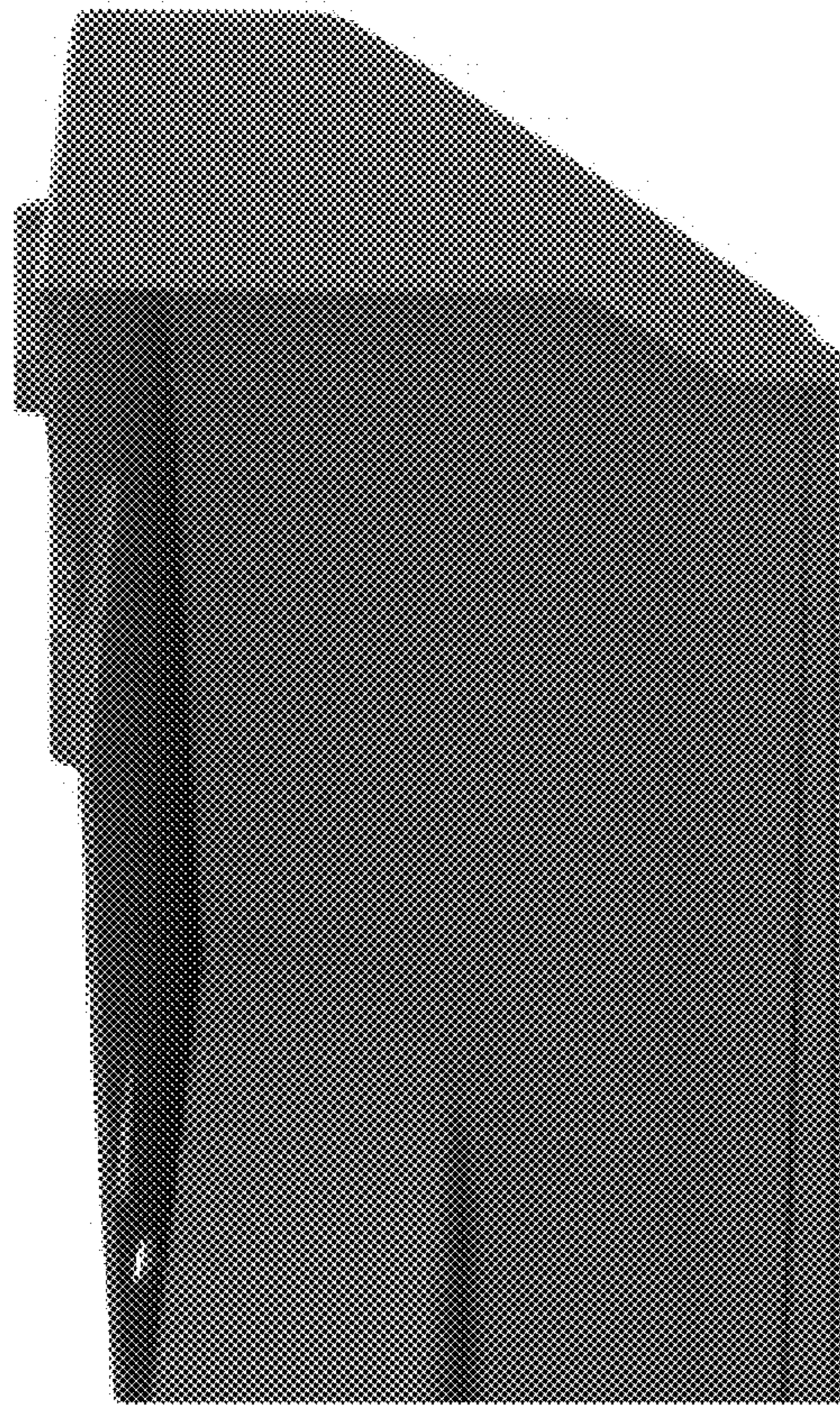


FIG. 5

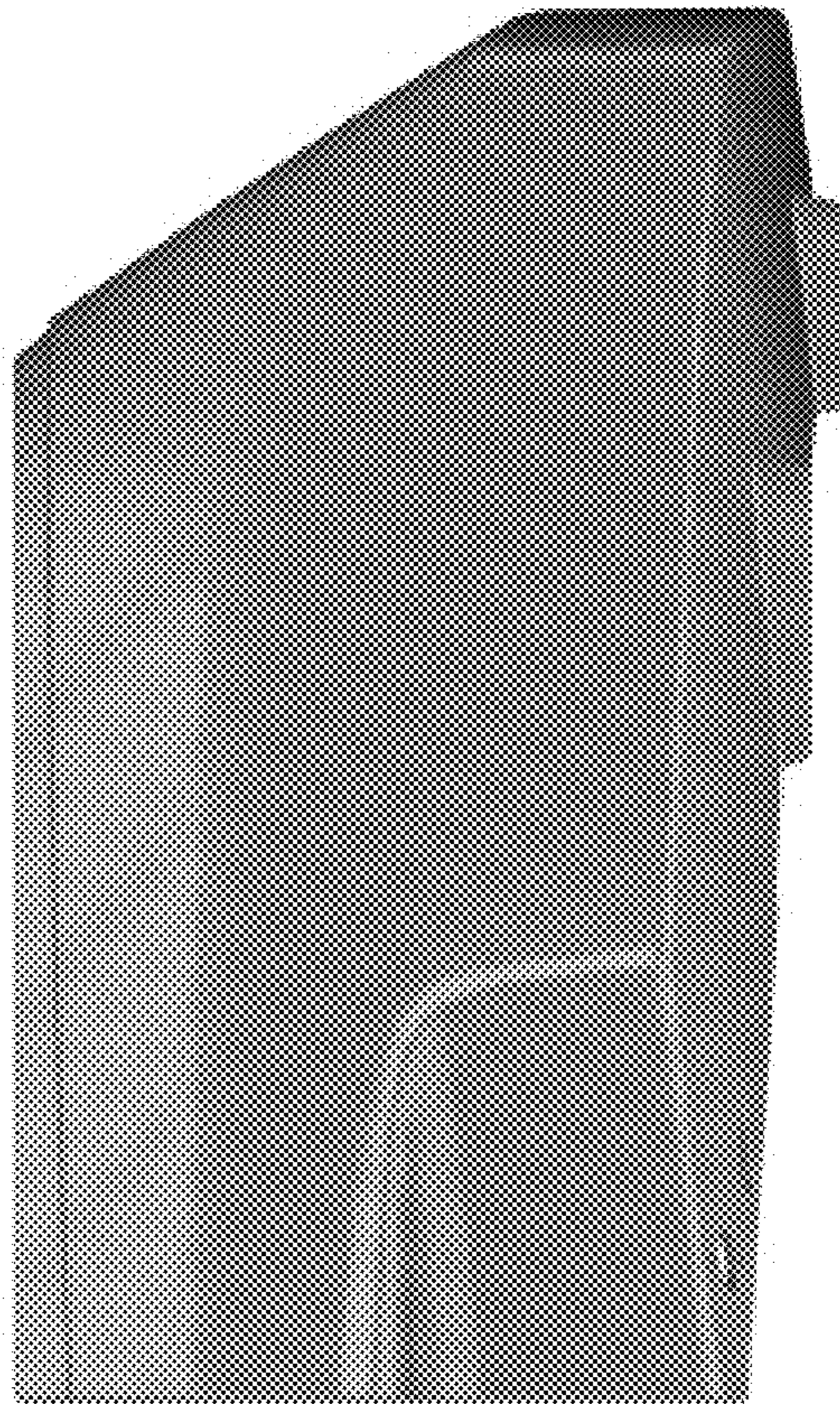


FIG. 6

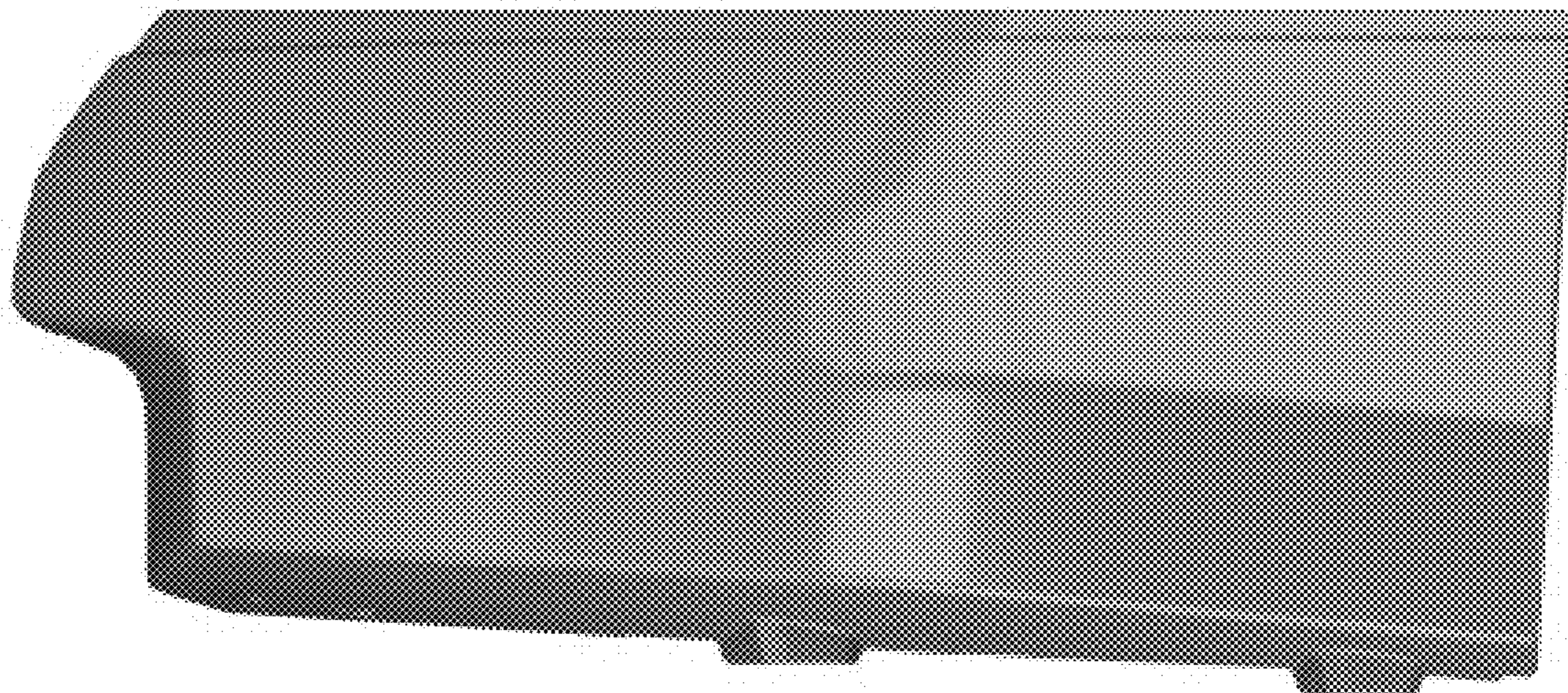


FIG. 7

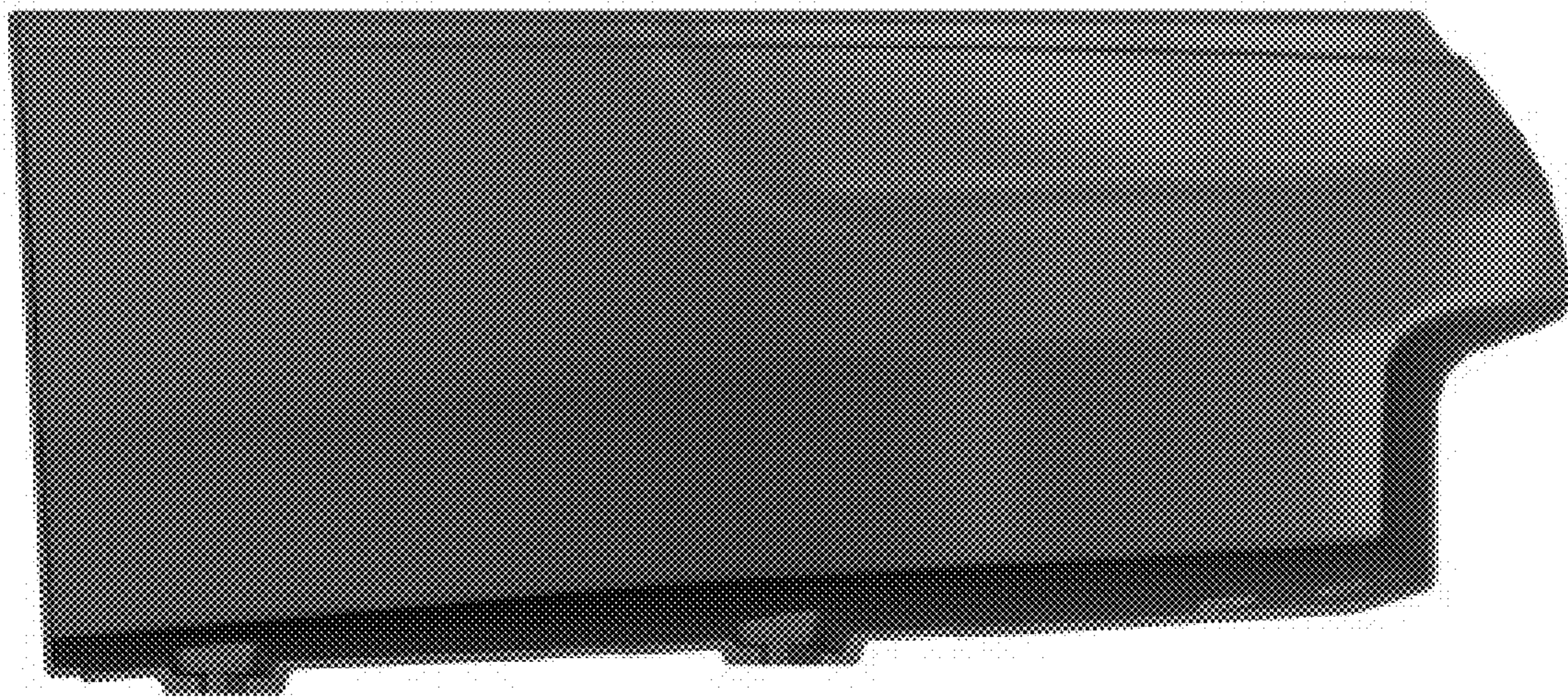


FIG. 8