



US00D870618S

(12) **United States Design Patent**
Cummings, IV et al.

(10) **Patent No.:** **US D870,618 S**

(45) **Date of Patent:** **** Dec. 24, 2019**

(54) **CANISTER**

(71) Applicant: **GLOBAL HORIZONS ENTERPRISES LLC**, Buffalo, NY (US)

(72) Inventors: **William J. Cummings, IV**, Clarence, NY (US); **Robert William Rush**, Lorain, OH (US)

(73) Assignee: **Global Horizons Enterprises LLC**, Buffalo, NY (US)

(**) Term: **15 Years**

(21) Appl. No.: **29/626,561**

(22) Filed: **Nov. 17, 2017**

(51) **LOC (12) Cl.** **12-06**

(52) **U.S. Cl.**
USPC **D12/180**

(58) **Field of Classification Search**
USPC D12/110, 126, 174, 179, 180, 400;
D7/300, 300.1, 396.2, 387, 507, 509-511,
D7/515, 523, 529-531, 532, 533,
D7/534-536, 546, 554.2, 608, 615;
D9/500, 503, 504, 763, 772; D15/5,
D15/138-140
CPC B60T 11/103; B60T 13/745
See application file for complete search history.

(56) **References Cited**

U.S. PATENT DOCUMENTS

- 3,714,780 A * 2/1973 Shellhause B60T 7/04
248/27.1
- D294,580 S * 3/1988 Segal D15/5
- D294,685 S * 3/1988 Opitz D12/126
- D295,154 S * 4/1988 Opitz D12/126
- D409,119 S * 5/1999 Fervoy D12/126
- D475,232 S * 6/2003 Kane D6/553

- D490,034 S * 5/2004 MacDonald D12/180
- D491,312 S * 6/2004 Kim D28/61
- D521,695 S * 5/2006 Jacobs D32/21
- D591,589 S * 5/2009 Myers D7/615
- D614,550 S * 4/2010 Brandt D12/180
- D631,372 S * 1/2011 Poyner D9/772
- D648,251 S * 11/2011 Murayama D12/180
- D679,960 S * 4/2013 Hopkins D7/629
- 9,610,932 B2 * 4/2017 Nakano B60T 11/103
- 9,816,627 B2 * 11/2017 Gur F16K 5/0414
- D816,010 S * 4/2018 Rike D12/223
- 10,047,772 B2 * 8/2018 Wallman F15B 15/1447
- 10,054,034 B1 * 8/2018 Weland F02B 19/06
- D828,114 S * 9/2018 Murosky D7/615
- D840,908 S * 2/2019 Rike D12/223
- 10,202,108 B2 * 2/2019 Misunou B60T 7/042

* cited by examiner

Primary Examiner — Darlington Ly

(74) *Attorney, Agent, or Firm* — Bond, Schoeneck & King, PLLC

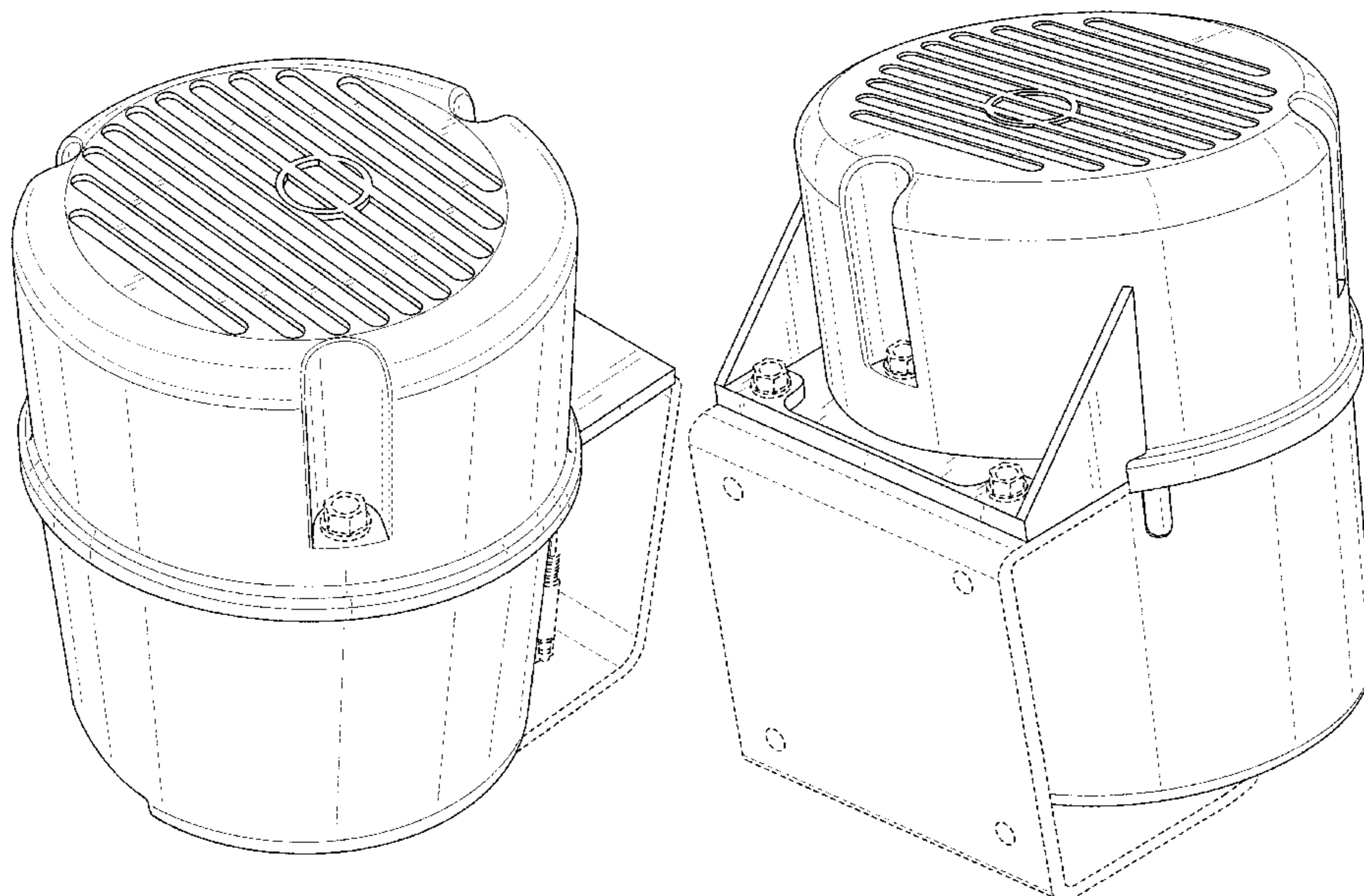
(57) **CLAIM**

The ornamental design for a canister, as shown and described.

DESCRIPTION

FIG. 1 is a top, front, and right perspective view of the canister;
 FIG. 2 is a front elevational view thereof;
 FIG. 3 is a rear elevational view thereof;
 FIG. 4 is a left-side elevational view thereof;
 FIG. 5 is a right-side elevational view thereof;
 FIG. 6 is a top plan view thereof;
 FIG. 7 is a bottom plan view thereof; and,
 FIG. 8 is a top, rear, and left perspective view thereof.
 The broken line showing of the fastening hardware, mounting bracket, and other portions of the canister form no part of the claimed design.

1 Claim, 8 Drawing Sheets



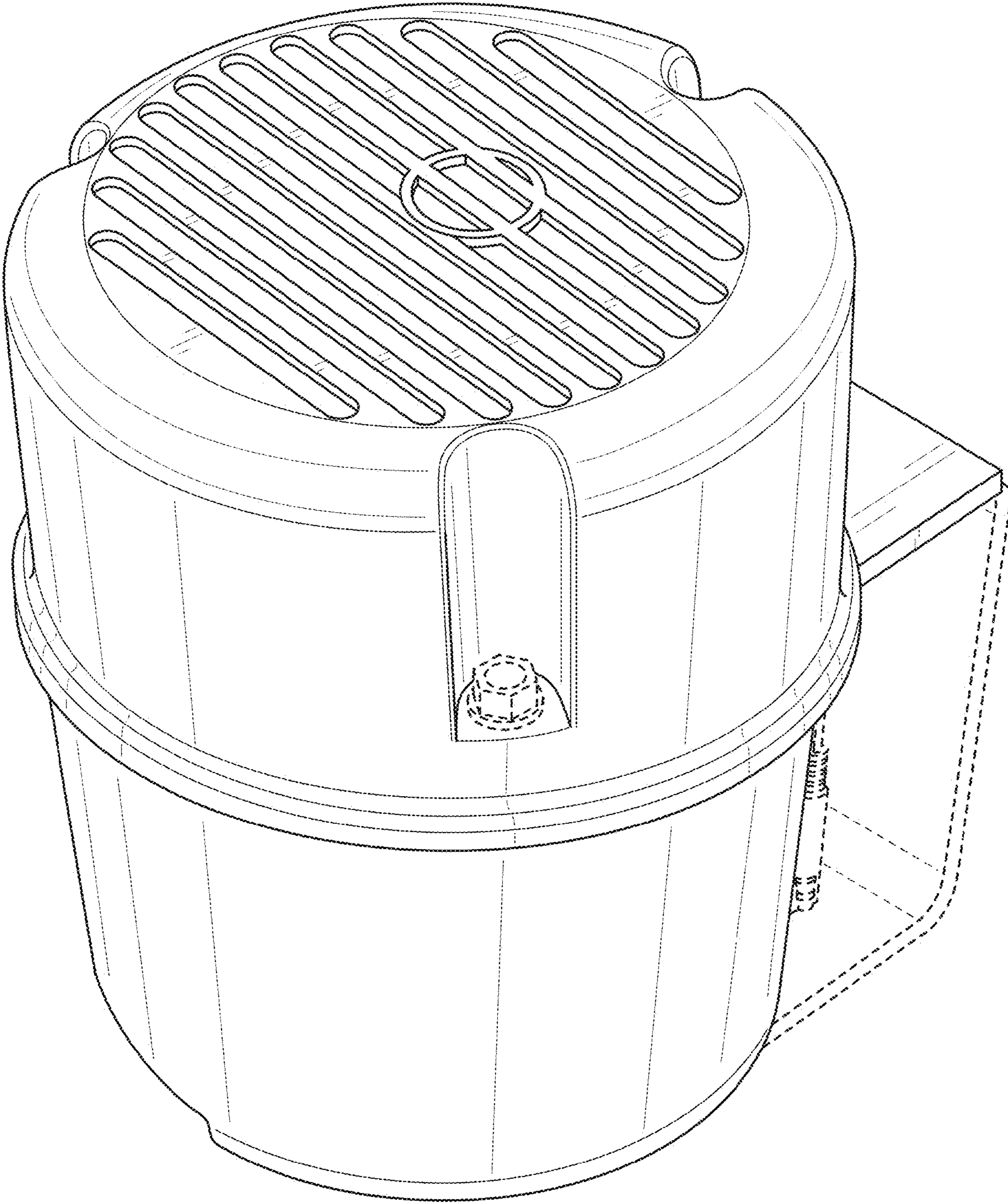


FIG. 1

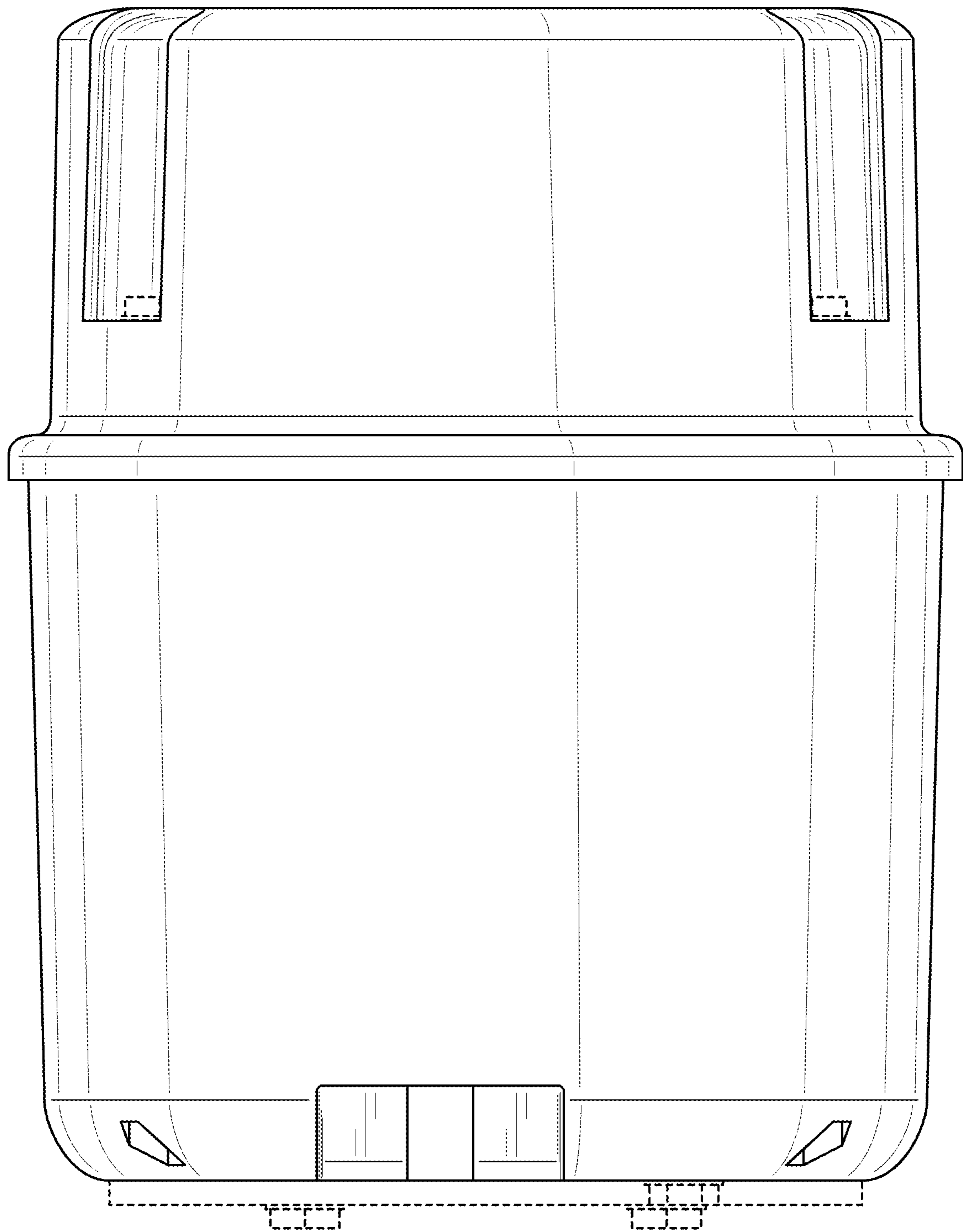


FIG. 2

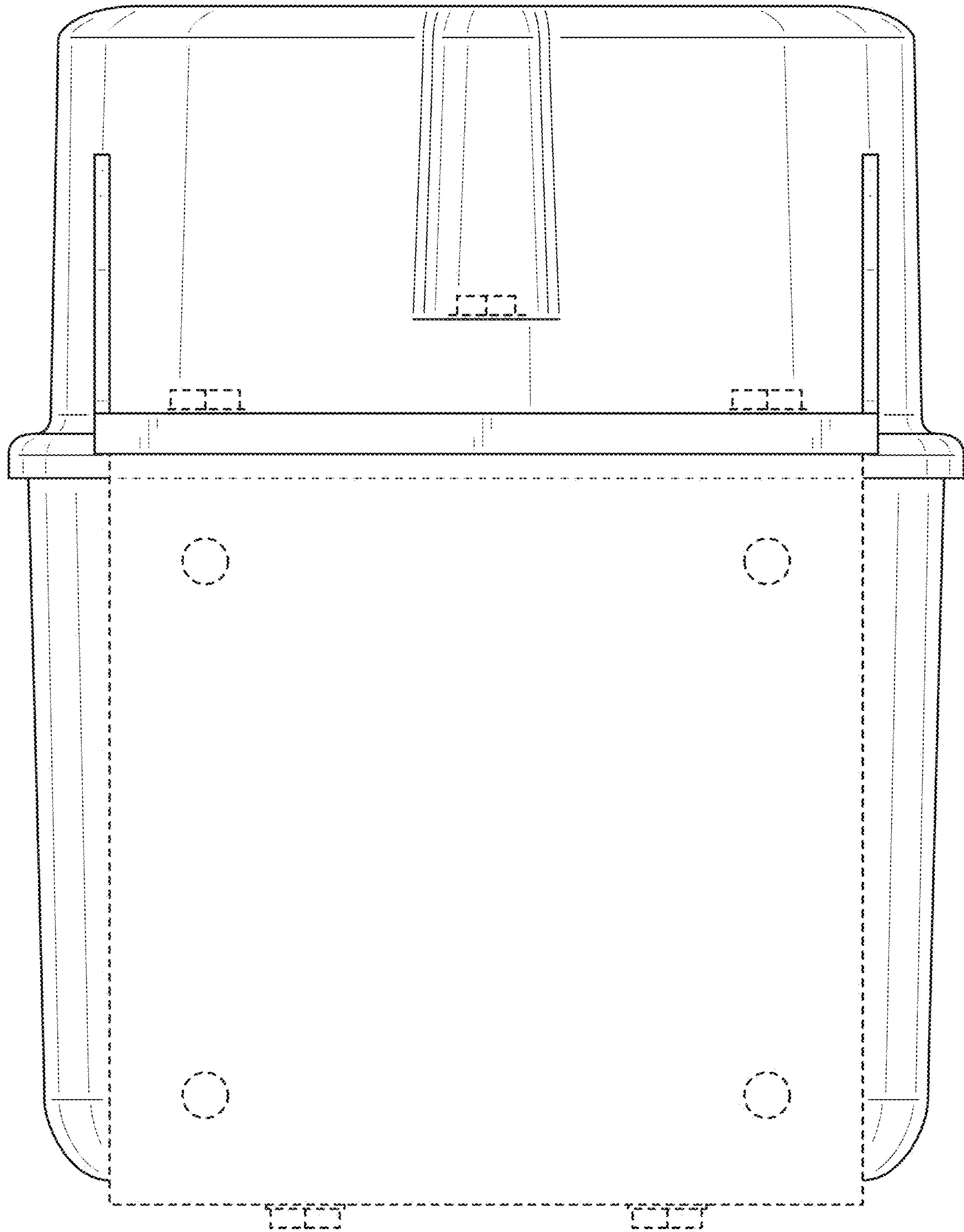


FIG. 3

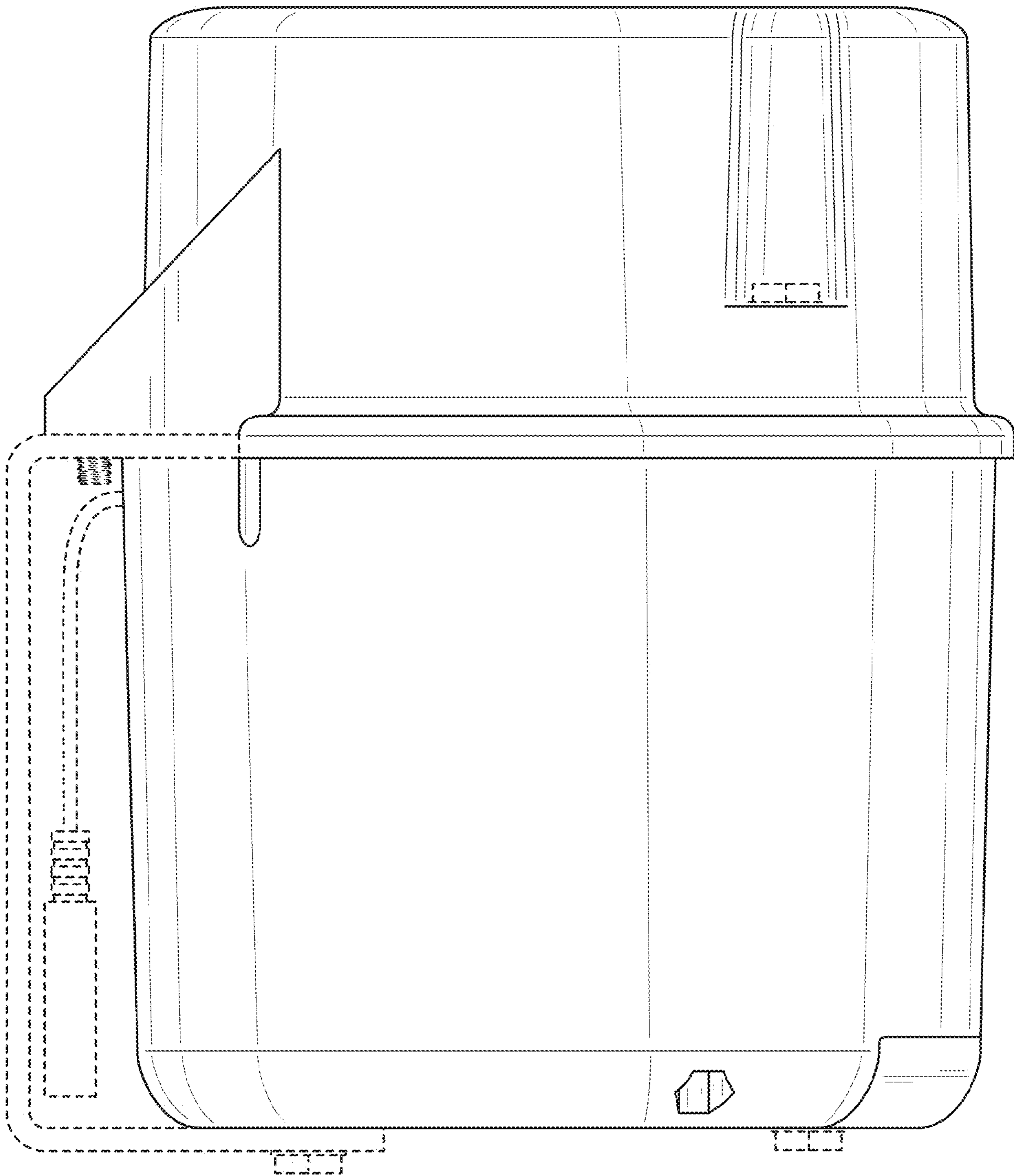


FIG. 4

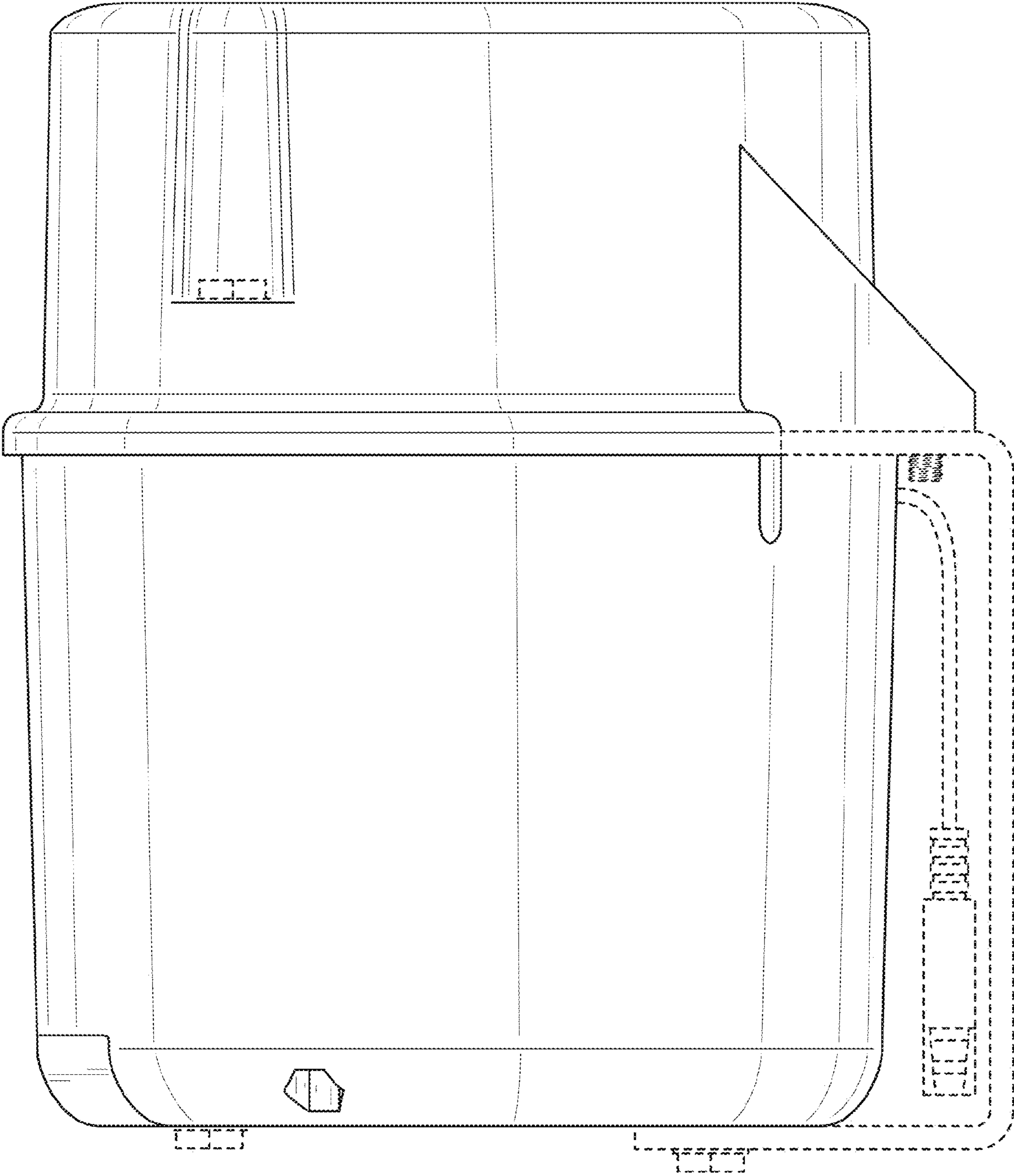


FIG. 5

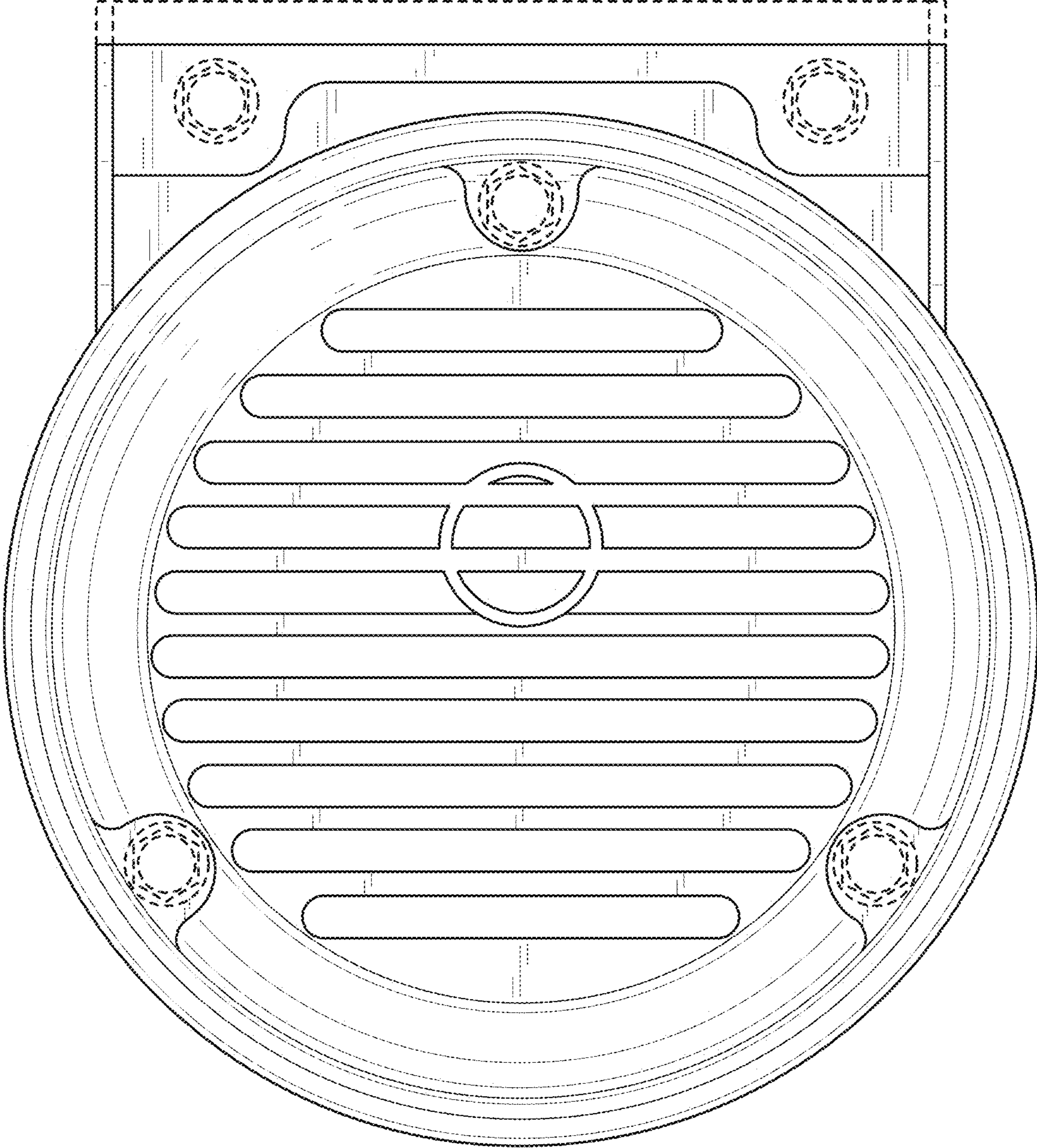


FIG. 6

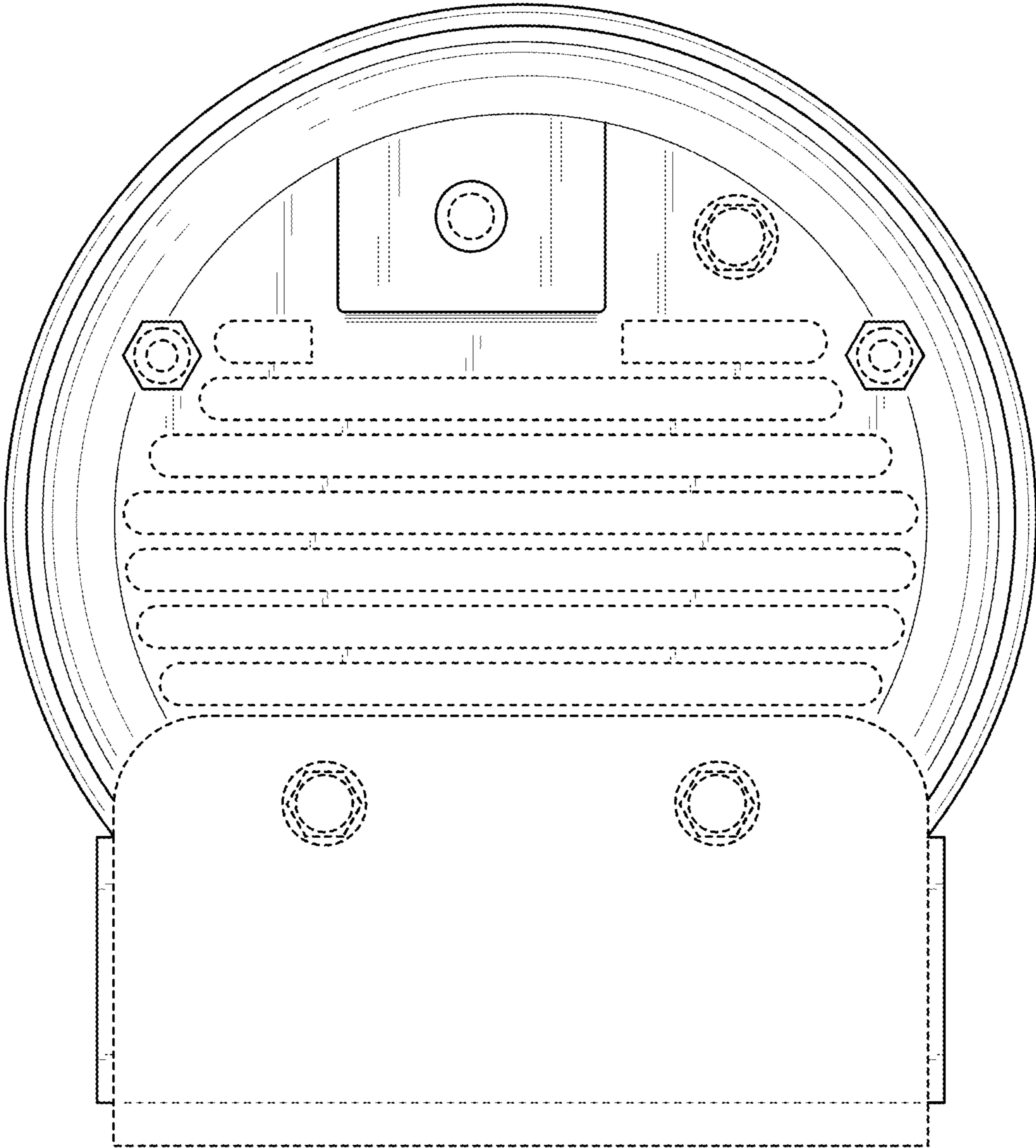


FIG. 7

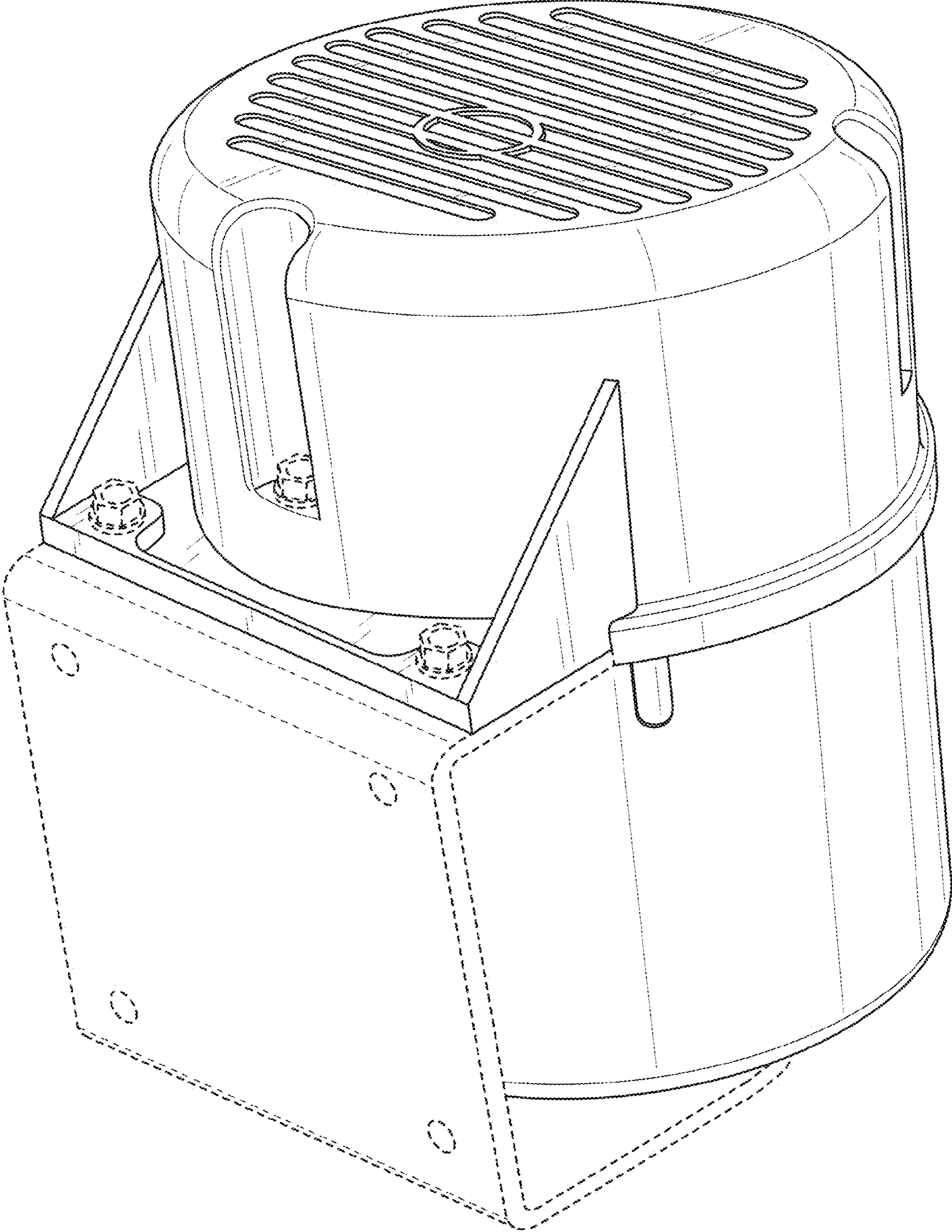


FIG. 8