



US00D870617S

(12) **United States Design Patent** (10) **Patent No.:** **US D870,617 S**
Berche et al. (45) **Date of Patent:** **** Dec. 24, 2019**

(54) **VEHICLE HANDLEBAR**
(71) Applicant: **BOMBARDIER RECREATIONAL PRODUCTS INC., Valcourt (CA)**
(72) Inventors: **Charles-Edouard Berche, Bromont (CA); Francois Chenevert, Sherbrooke (CA)**
(73) Assignee: **BOMBARDIER RECREATIONAL PRODUCTS INC., Valcourt (CA)**

D479,702 S 9/2003 Cassell et al.
D485,527 S 1/2004 Cassell et al.
6,843,192 B1 1/2005 Nugteren et al.
D510,900 S 10/2005 Bucaccio et al.
D511,320 S 11/2005 Bucaccio et al.
D513,225 S 12/2005 Omae et al.
D516,006 S 2/2006 Bucaccio et al.
D516,993 S 3/2006 Bucaccio et al.
D519,437 S 4/2006 Bucaccio et al.
D519,438 S 4/2006 Bucaccio et al.
D519,909 S 5/2006 Bucaccio et al.
D527,701 S 9/2006 Bucaccio et al.
D550,603 S 9/2007 Cote et al.
D550,605 S 9/2007 Cote et al.
D569,781 S 5/2008 Hattori et al.
D574,314 S 8/2008 Kato et al.
D575,720 S 8/2008 Kato et al.
D603,319 S 11/2009 Cote et al.

(**) Term: **15 Years**

(21) Appl. No.: **29/641,107**

(22) Filed: **Mar. 20, 2018**

(51) **LOC (12) Cl.** **12-11**

(52) **U.S. Cl.**
USPC **D12/178**

(58) **Field of Classification Search**
USPC D12/111, 114, 178; D8/303
CPC B62K 19/16; B62K 21/12; B62K 21/18;
B62K 21/125; B62K 23/06
See application file for complete search history.

(56) **References Cited**

U.S. PATENT DOCUMENTS

D307,414 S 4/1990 Lapointe
D325,556 S 4/1992 LaPointe
D326,839 S 6/1992 LaPointe
D399,182 S 10/1998 Lapointe et al.
6,112,685 A 9/2000 Matsuda et al.
6,249,744 B1 * 6/2001 Morita B62J 99/00
340/988
D462,931 S 9/2002 Aselton et al.
D464,015 S 10/2002 Bucaccio et al.
D464,016 S 10/2002 Orr et al.
D464,926 S 10/2002 Mizuta et al.
D476,612 S 7/2003 Bills et al.

(Continued)

Primary Examiner — Darlington Ly
(74) *Attorney, Agent, or Firm* — BCF LLP

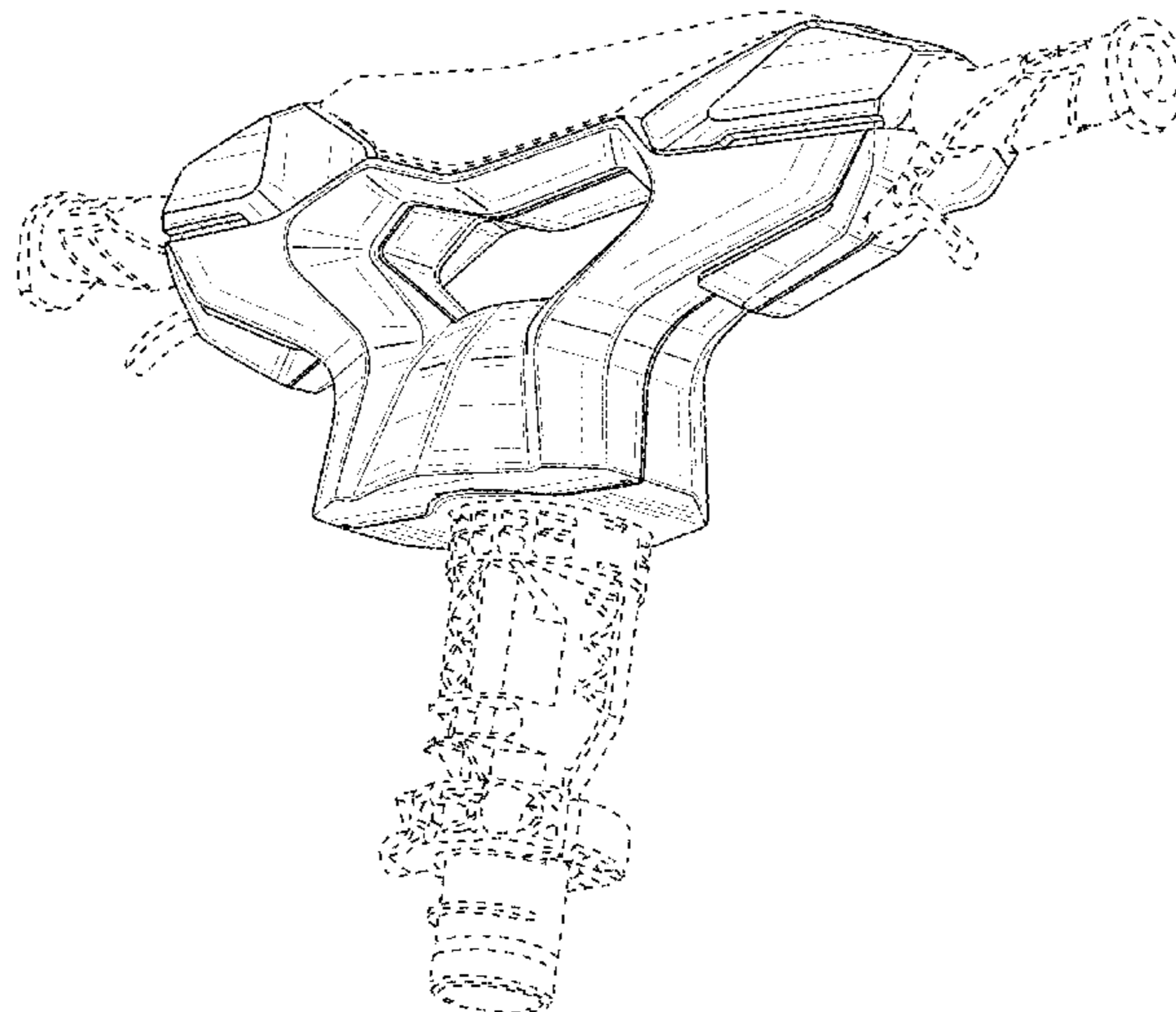
(57) **CLAIM**

The ornamental design for a vehicle handlebar, as shown and described.

DESCRIPTION

FIG. 1 is a perspective view taken from a front and left side view of a vehicle handlebar embodying our design;
FIG. 2 is a perspective view taken from a rear, right side, thereof;
FIG. 3 is a front elevation view thereof;
FIG. 4 is a rear elevation view thereof;
FIG. 5 is a right side elevation view thereof;
FIG. 6 is a left side elevation view thereof;
FIG. 7 is a top plan view thereof; and,
FIG. 8 is a bottom plan view thereof.
The broken line in the drawings illustrate portions of the vehicle handlebar that form no part of the claimed design.

1 Claim, 8 Drawing Sheets



(56)

References Cited

U.S. PATENT DOCUMENTS

D608,719 S	1/2010	Cote et al.	
7,677,771 B2 *	3/2010	Yamamoto	B60K 35/00 180/90
D632,632 S	2/2011	Cote	
D636,324 S	4/2011	Cote	
D637,544 S	5/2011	Cote et al.	
D637,545 S *	5/2011	Cote	D12/317
D693,286 S	11/2013	Cote et al.	
D734,239 S	7/2015	Cote et al.	
D735,615 S *	8/2015	Itaya	D12/107
D774,957 S *	12/2016	Umemoto	D12/107
9,587,689 B2 *	3/2017	Pongo	B60G 3/20
D787,985 S *	5/2017	Wilcox	D12/87
9,649,928 B2 *	5/2017	Danielson	B60K 5/02
9,873,316 B2 *	1/2018	Lovold	B60K 5/12
D827,500 S *	9/2018	Lovold	D12/107
D844,492 S *	4/2019	Lai	D12/107
D847,710 S *	5/2019	Canepa	D12/178
2003/0131774 A1	7/2003	Funayose et al.	
2004/0168622 A1	9/2004	Thompson et al.	
2014/0274423 A1 *	9/2014	Osterberg	B62D 5/00 464/97

* cited by examiner

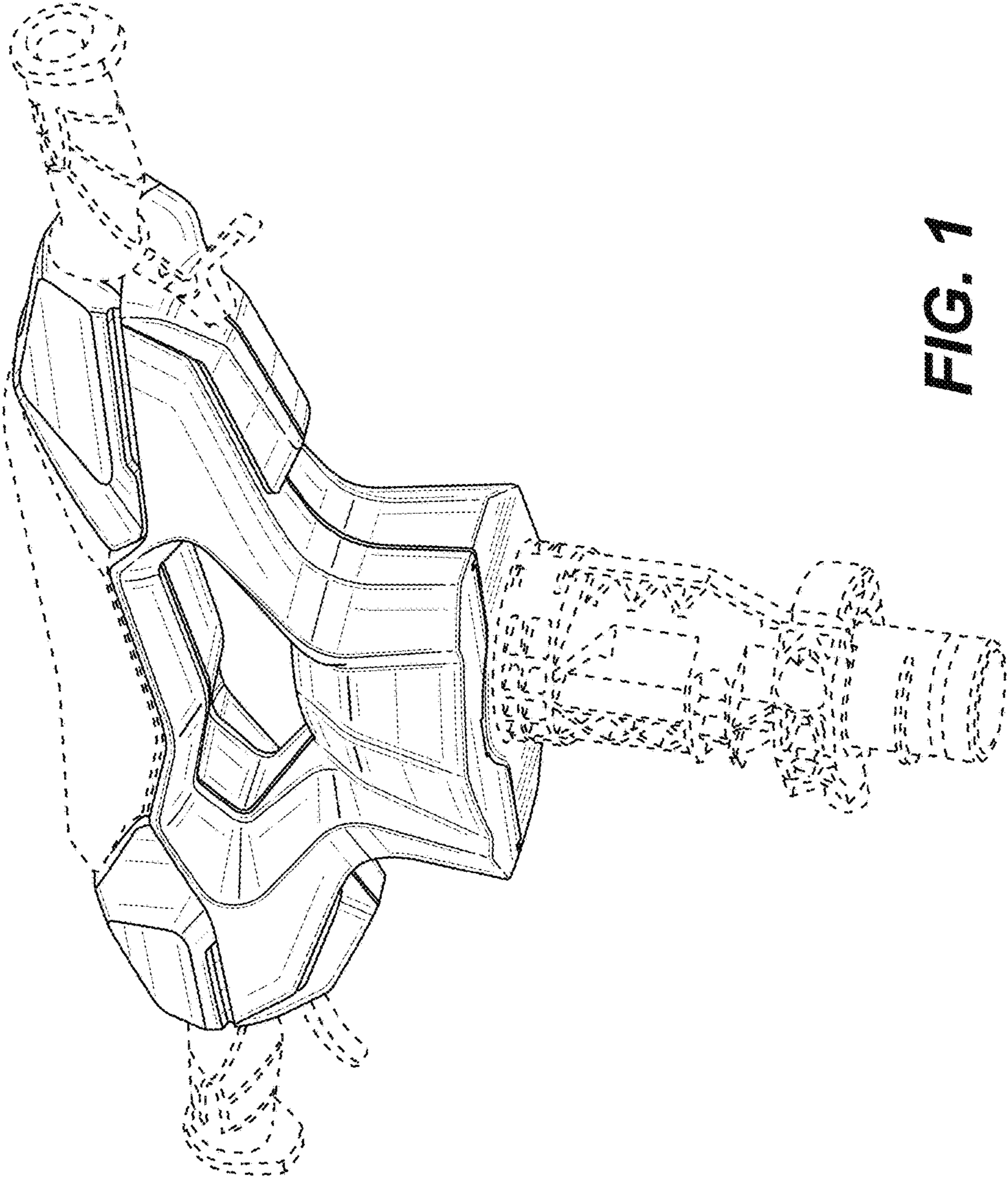


FIG. 1

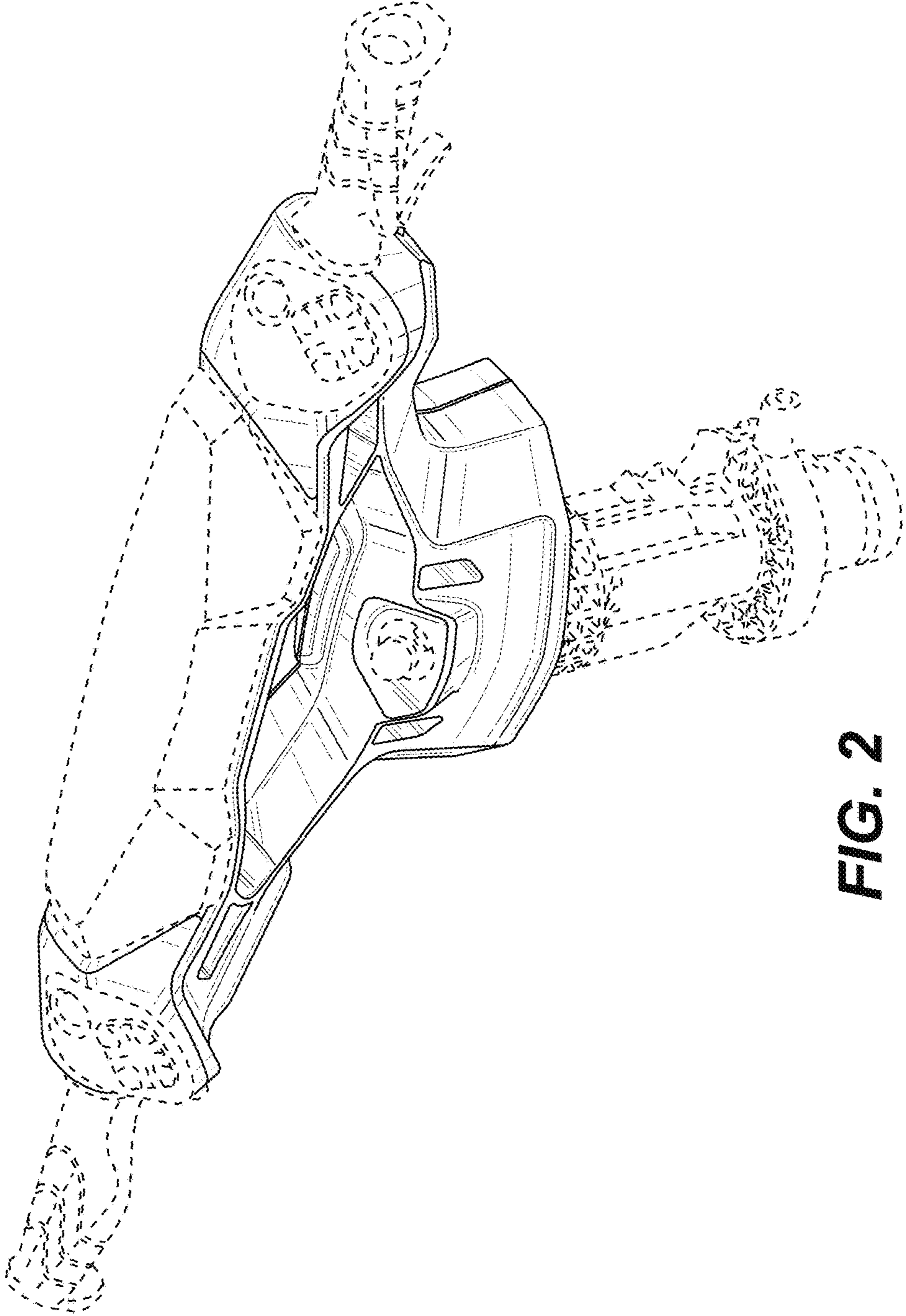


FIG. 2

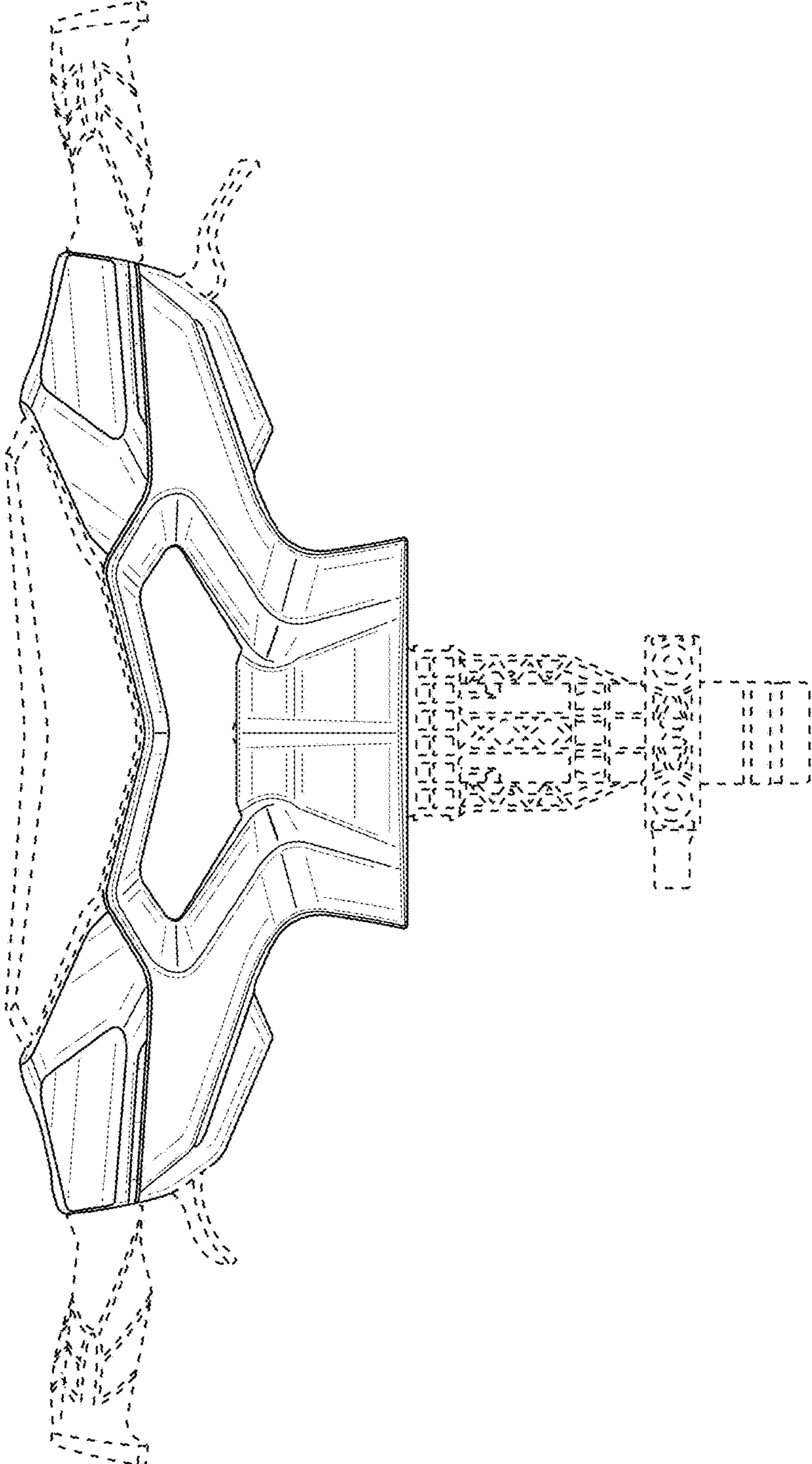


FIG. 3

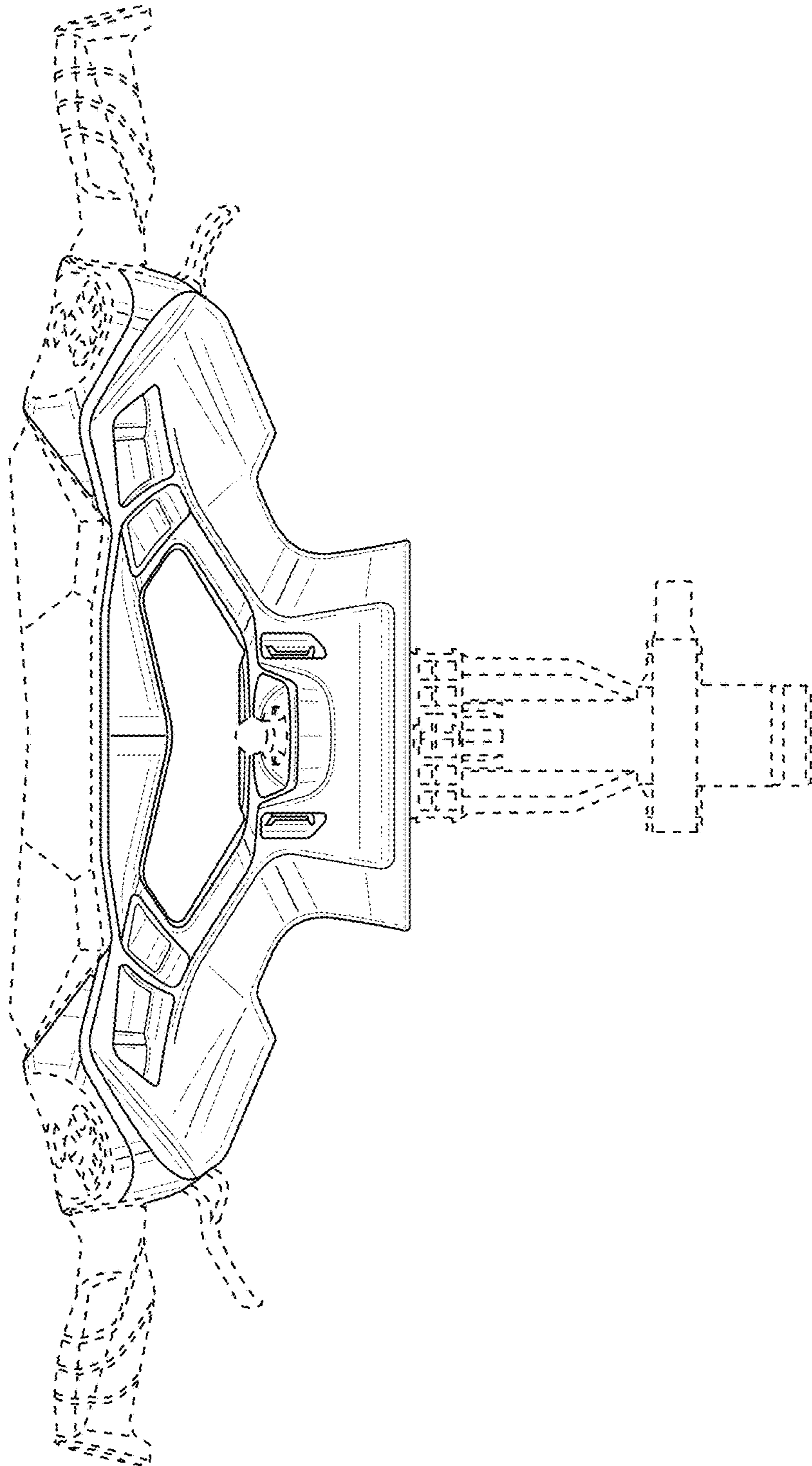


FIG. 4

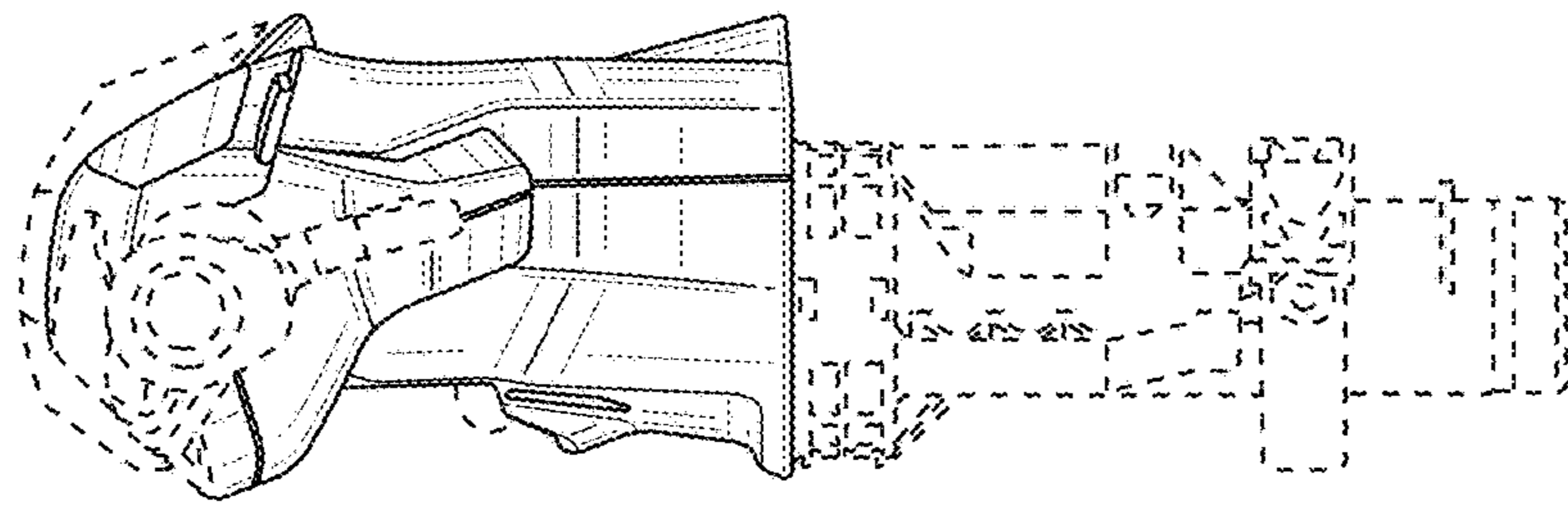


FIG. 5

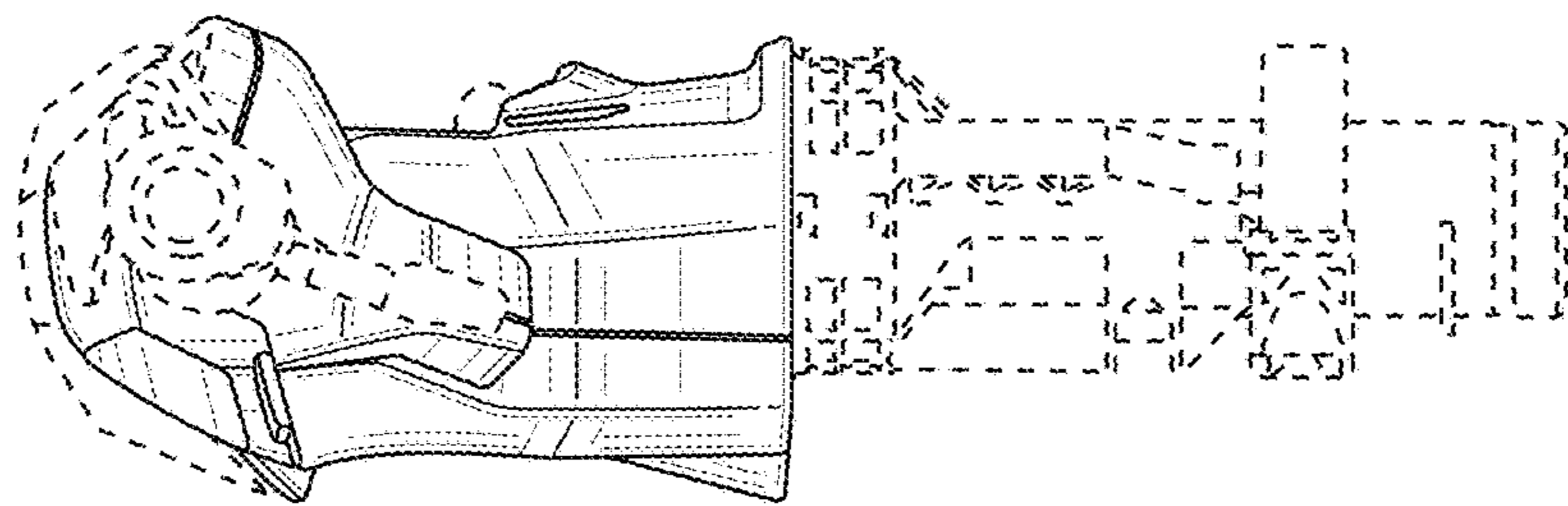


FIG. 6

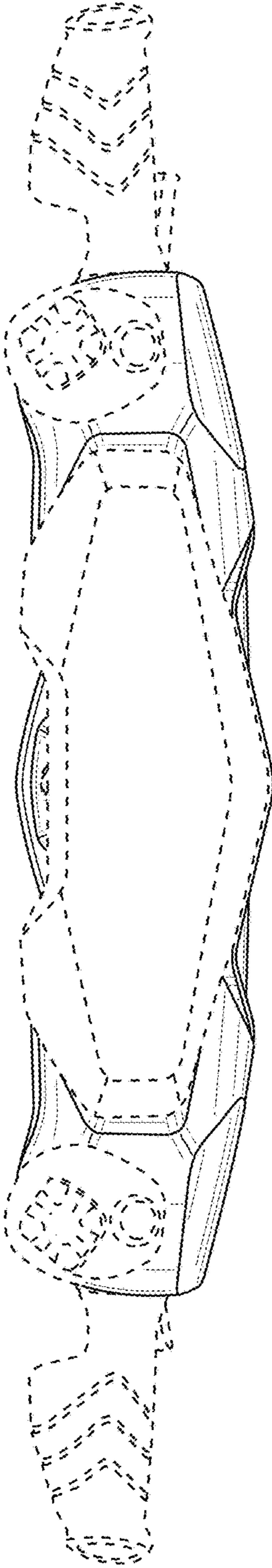


FIG. 7

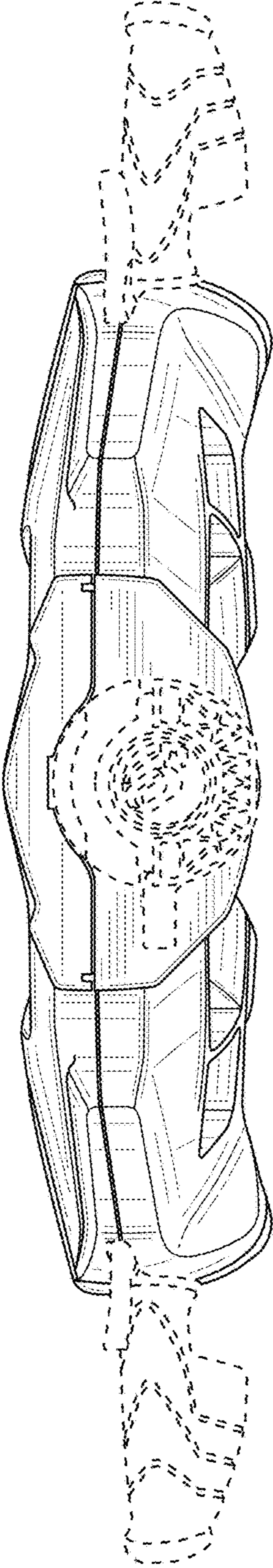


FIG. 8