



US00D870616S

(12) **United States Design Patent** (10) **Patent No.:** **US D870,616 S**  
**Aruga** (45) **Date of Patent:** **\*\* Dec. 24, 2019**

(54) **CONTROL WHEEL FOR AIRCRAFT**

(71) Applicant: **mitsubishi aircraft corporation**, Nagoya-shi, Aichi (JP)

(72) Inventor: **Hiroyasu Aruga**, Tokyo (JP)

(73) Assignee: **mitsubishi aircraft corporation**, Nagoya-shi, Aichi (JP)

(\*\*) Term: **15 Years**

(21) Appl. No.: **29/601,805**

(22) Filed: **Apr. 26, 2017**

(30) **Foreign Application Priority Data**

Oct. 28, 2016 (JP) ..... 2016-023564

(51) **LOC (12) Cl.** ..... **12-16**

(52) **U.S. Cl.**  
USPC ..... **D12/175**

(58) **Field of Classification Search**  
USPC ..... D13/184; D12/174, 175, 176, 177, 192, D12/196; D14/412, 413, 415  
CPC ..... H01H 9/02; H01H 9/06; H01H 2009/066; H04W 4/10; B64C 13/24; B64D 47/00; F16M 13/00; F16M 13/02  
See application file for complete search history.

(56) **References Cited**

**U.S. PATENT DOCUMENTS**

- 2,747,057 A \* 5/1956 Obszarny ..... H01H 9/06 200/293.1
- D300,023 S \* 2/1989 DeRamus, Jr. .... D12/179
- D340,442 S \* 10/1993 Bessette ..... D13/168
- D578,940 S \* 10/2008 Tsay ..... D12/175
- D613,668 S \* 4/2010 Guering ..... D12/345

- D633,853 S \* 3/2011 Aruga ..... D12/345
- D675,555 S \* 2/2013 Ouellette ..... D12/345
- D679,228 S \* 4/2013 Balko ..... D12/175
- D737,184 S \* 8/2015 Oosuda ..... D12/175
- D760,145 S \* 6/2016 Kasparian ..... D12/345
- D769,178 S \* 10/2016 Kasparian ..... D12/345
- D787,994 S \* 5/2017 Carbone ..... D12/175
- 9,791,886 B2 \* 10/2017 Ouellette ..... G05G 9/047
- D842,180 S \* 3/2019 Aruga ..... D12/175

(Continued)

*Primary Examiner* — Keli L Hill

*Assistant Examiner* — Harold E Blackwell, II

(74) *Attorney, Agent, or Firm* — Birch, Stewart, Kolasch & Birch, LLP

(57) **CLAIM**

The ornamental design for a control wheel for aircraft, as shown and described.

**DESCRIPTION**

FIG. 1 is a perspective view from the upper right side of a control wheel for aircraft.

FIG. 2 is a perspective view from the upper left side thereof.

FIG. 3 is a perspective view from the lower left side thereof.

FIG. 4 is a perspective view from the lower right side thereof.

FIG. 5 is a front elevation view thereof.

FIG. 6 is a rear elevation view thereof.

FIG. 7 is a top plan view thereof.

FIG. 8 is a bottom plan view thereof.

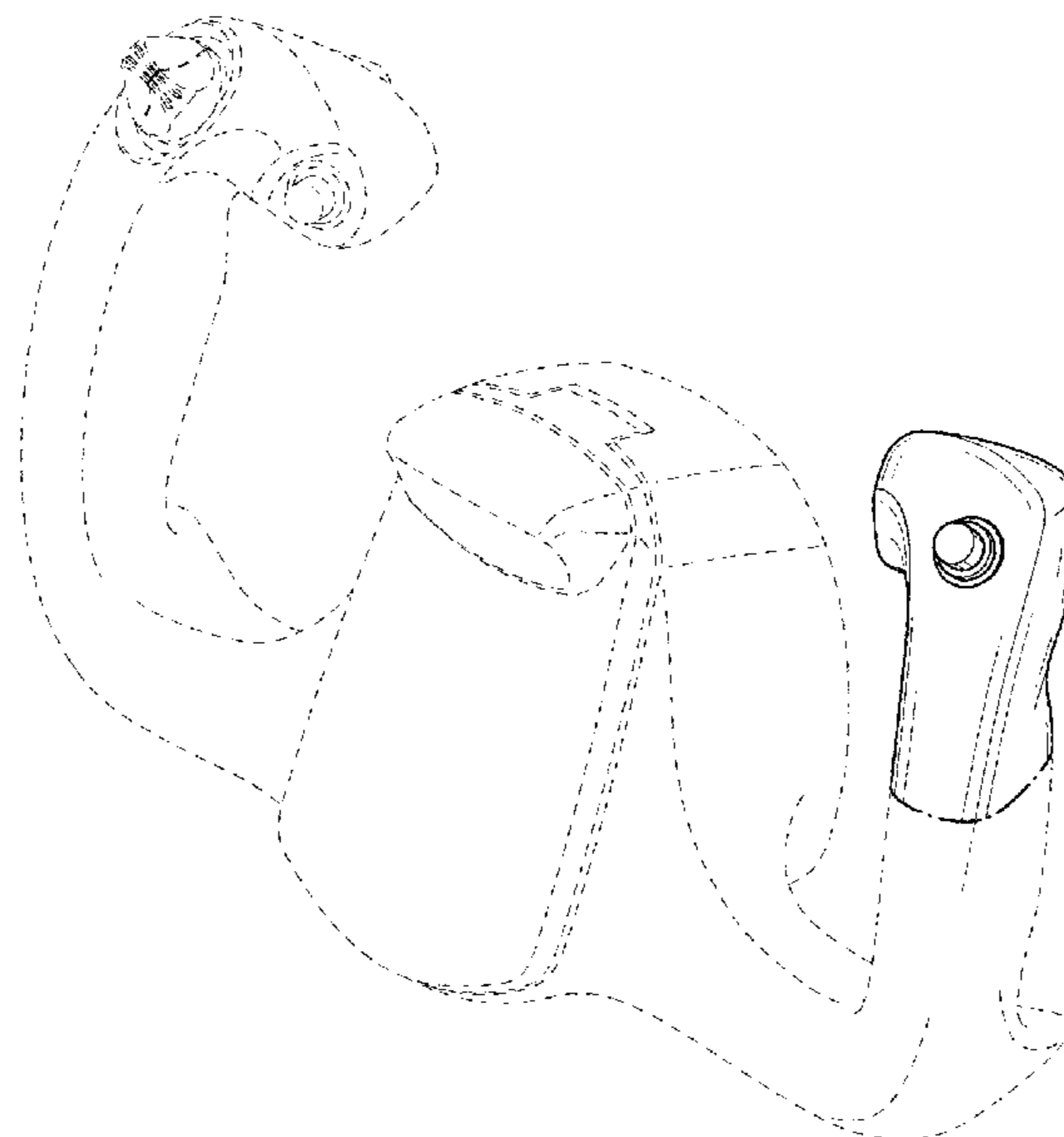
FIG. 9 is a left side elevation view thereof.

FIG. 10 is a right side elevation view thereof; and,

FIG. 11 is an enlarged cross sectional view thereof, taken along the line 11-11 in FIG. 5.

The broken lines shown in the drawings illustrate portions of a control wheel for aircraft that form no part of the claimed design. The dot-dash lines show an unclaimed boundary which forms no part of the claimed design.

**1 Claim, 11 Drawing Sheets**



(56)

**References Cited**

U.S. PATENT DOCUMENTS

D842,181 S \* 3/2019 Aruga ..... D12/175  
10,301,009 B2 \* 5/2019 Roop ..... B64C 27/20

\* cited by examiner

FIG. 1

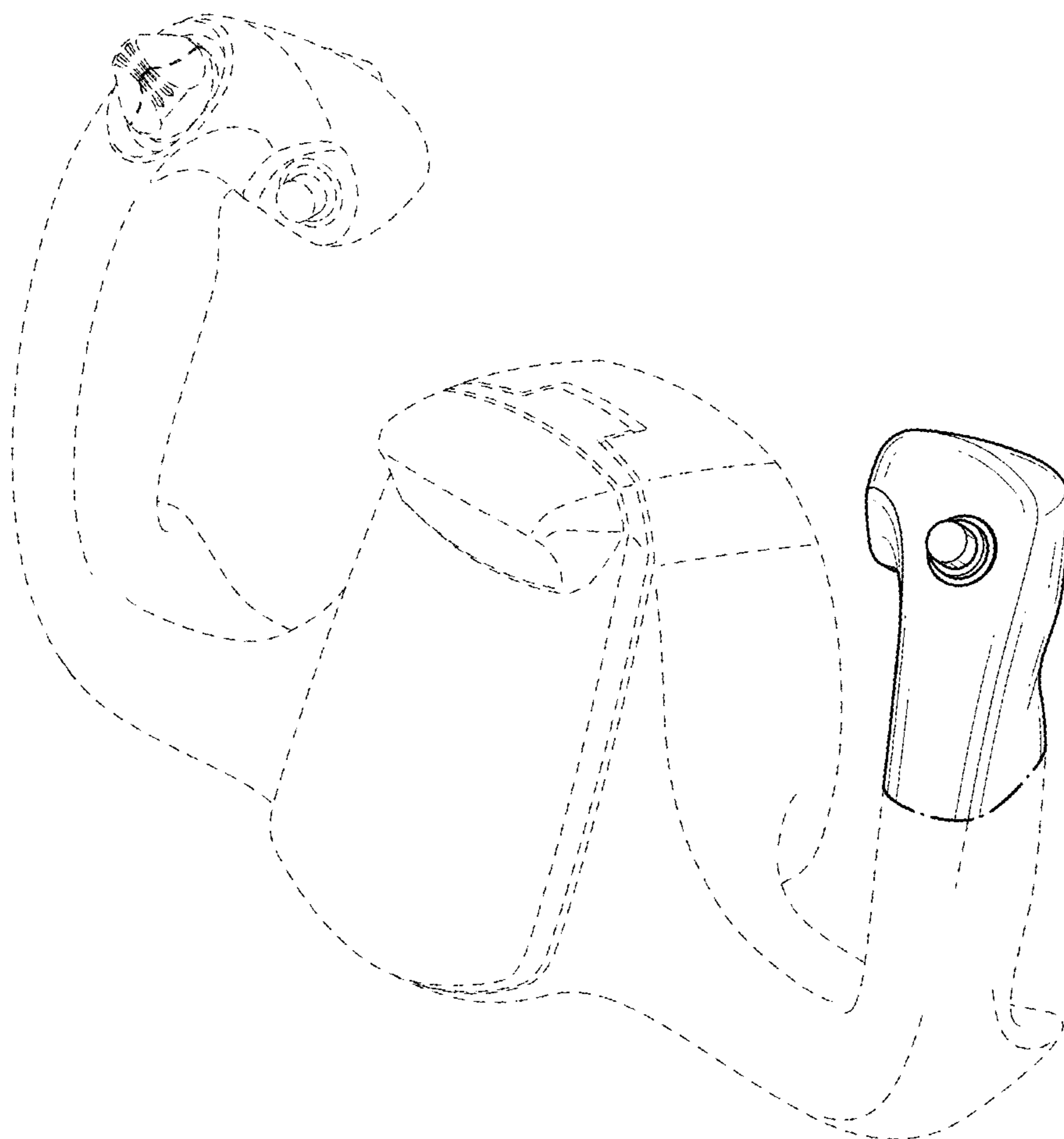


FIG. 2

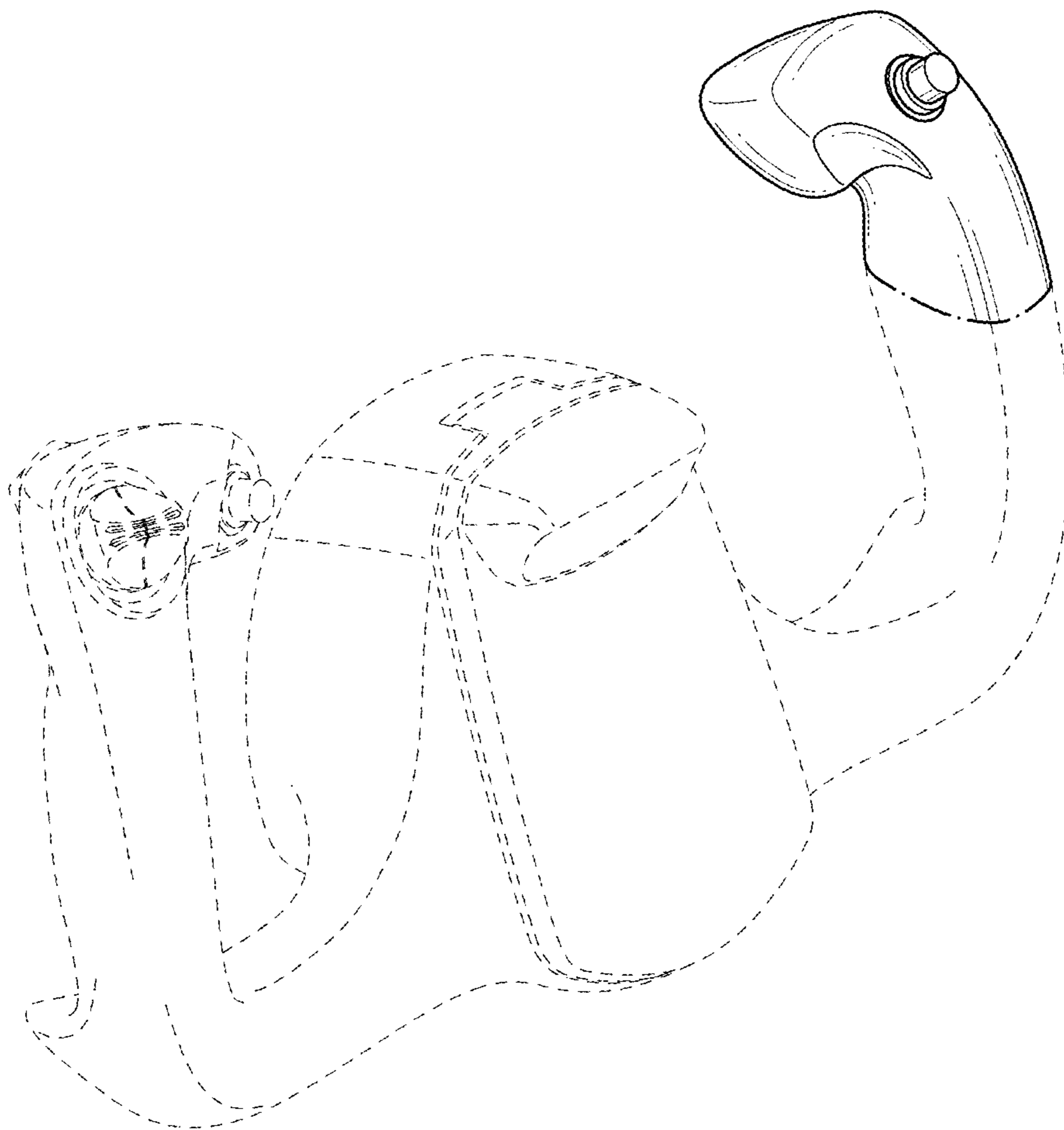


FIG. 3

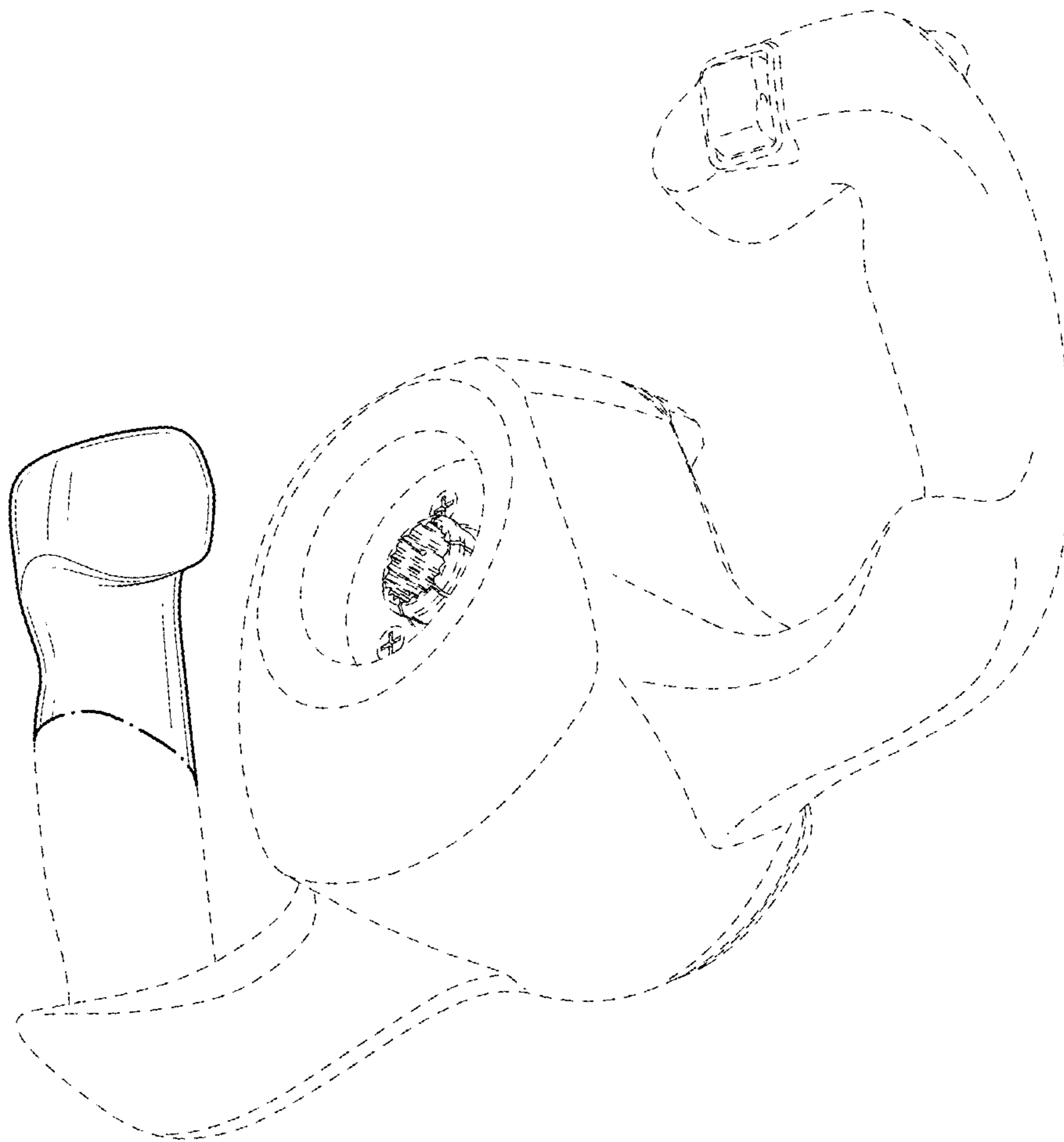


FIG. 4

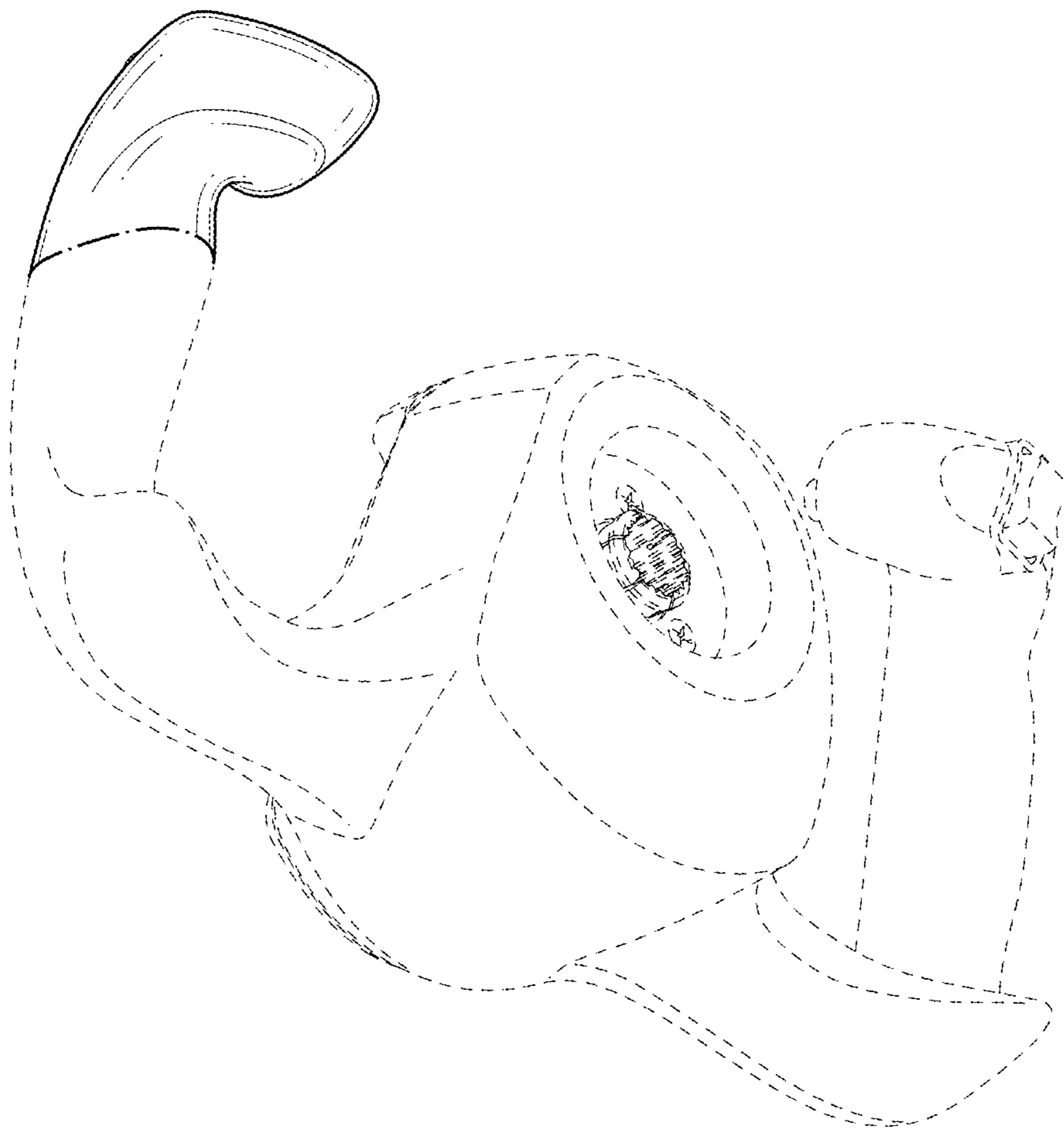


FIG. 5

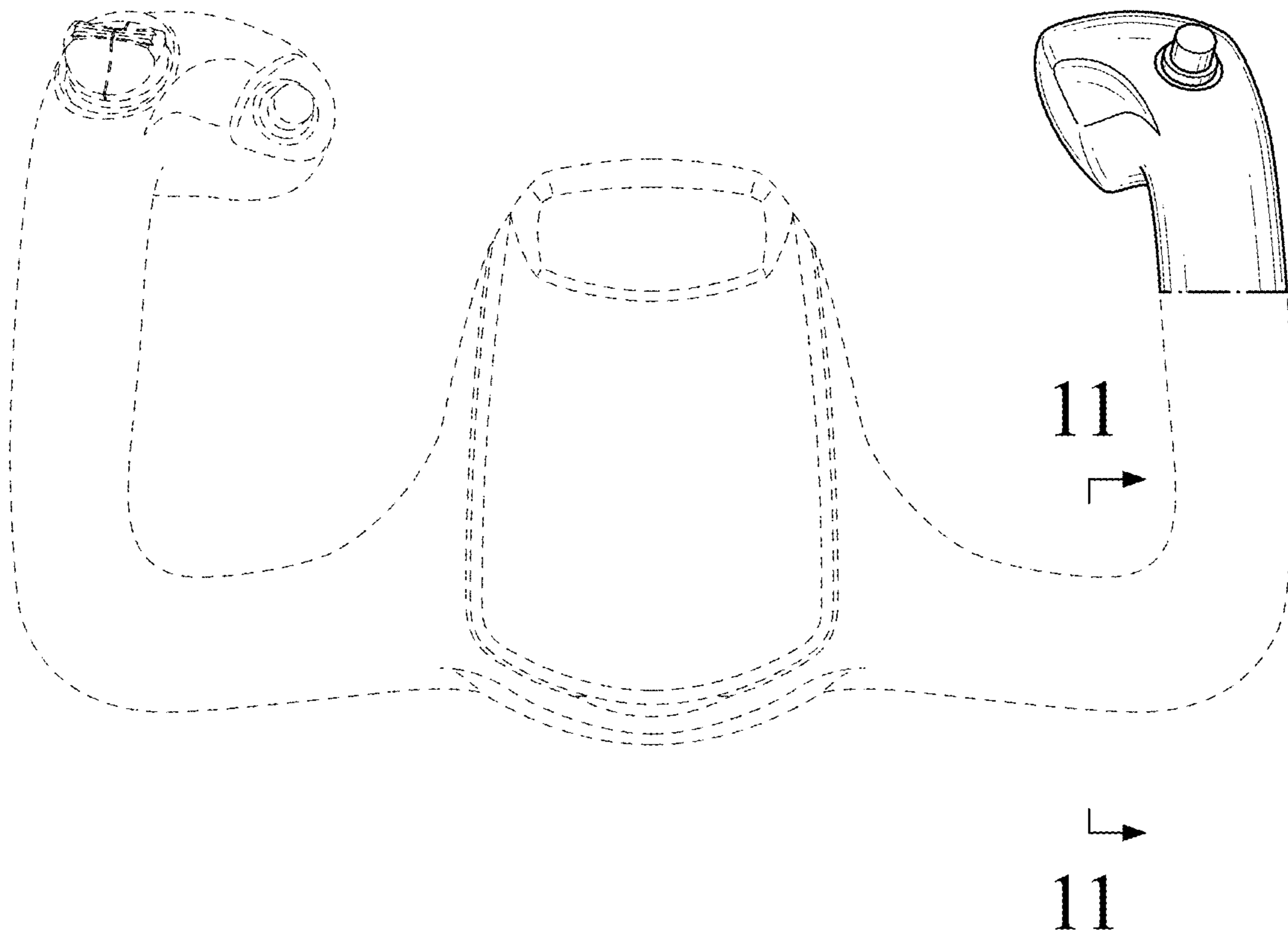


FIG. 6

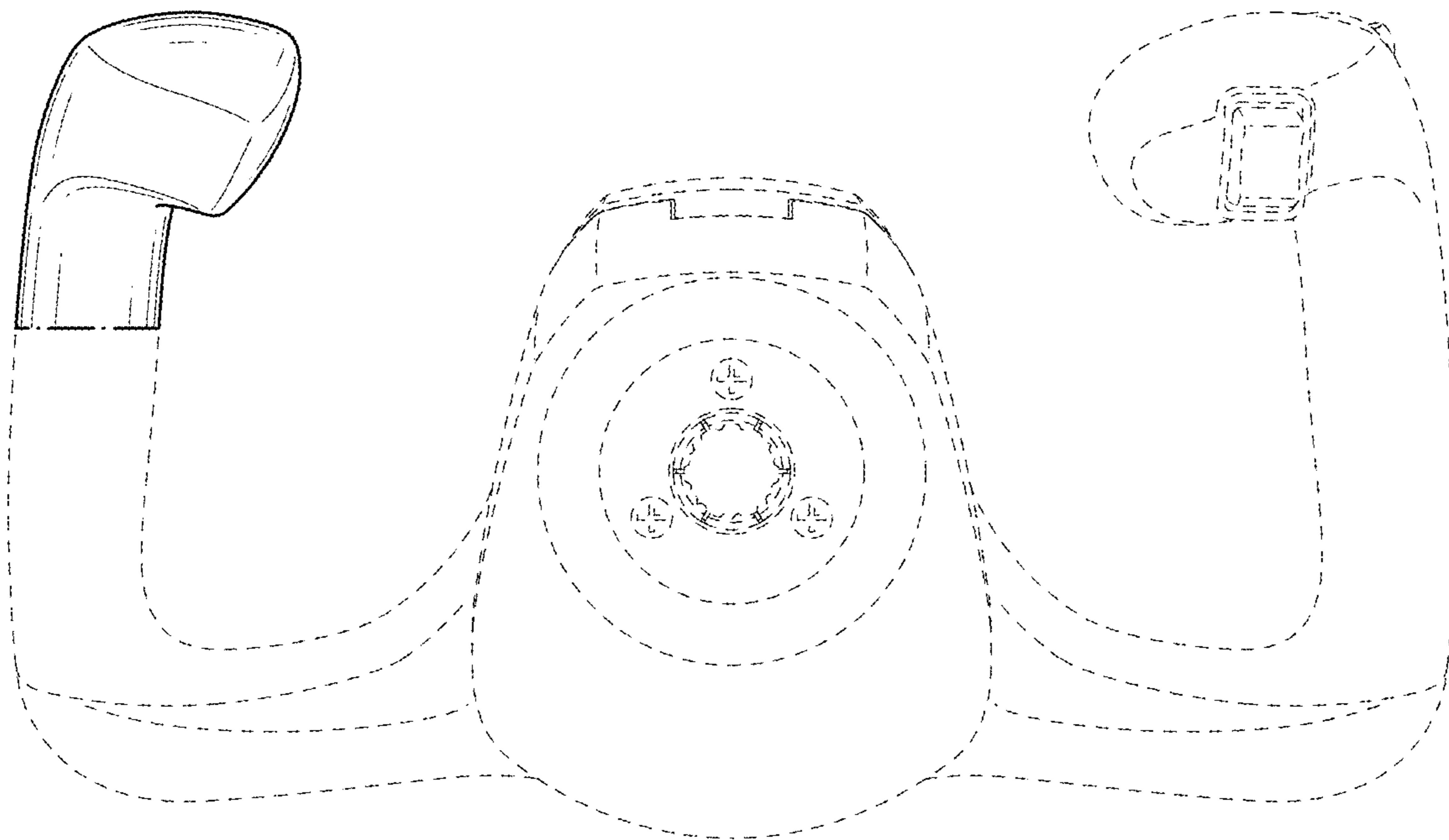




FIG. 7

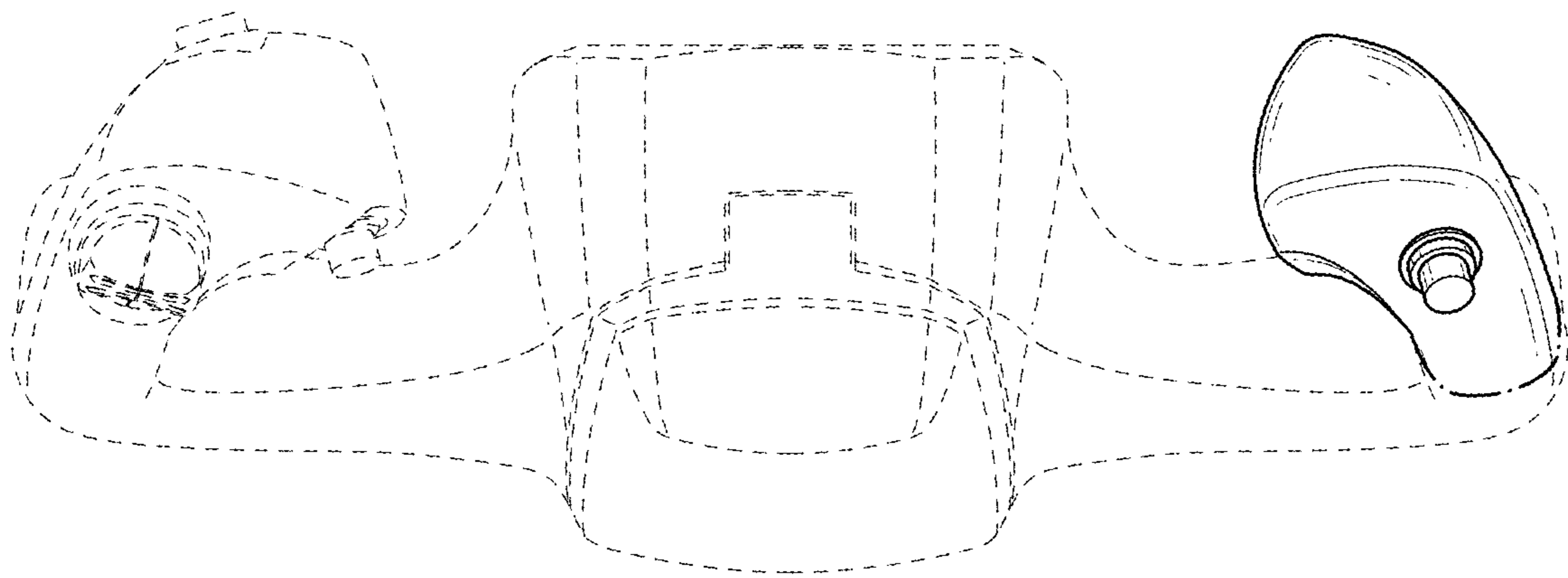


FIG. 8

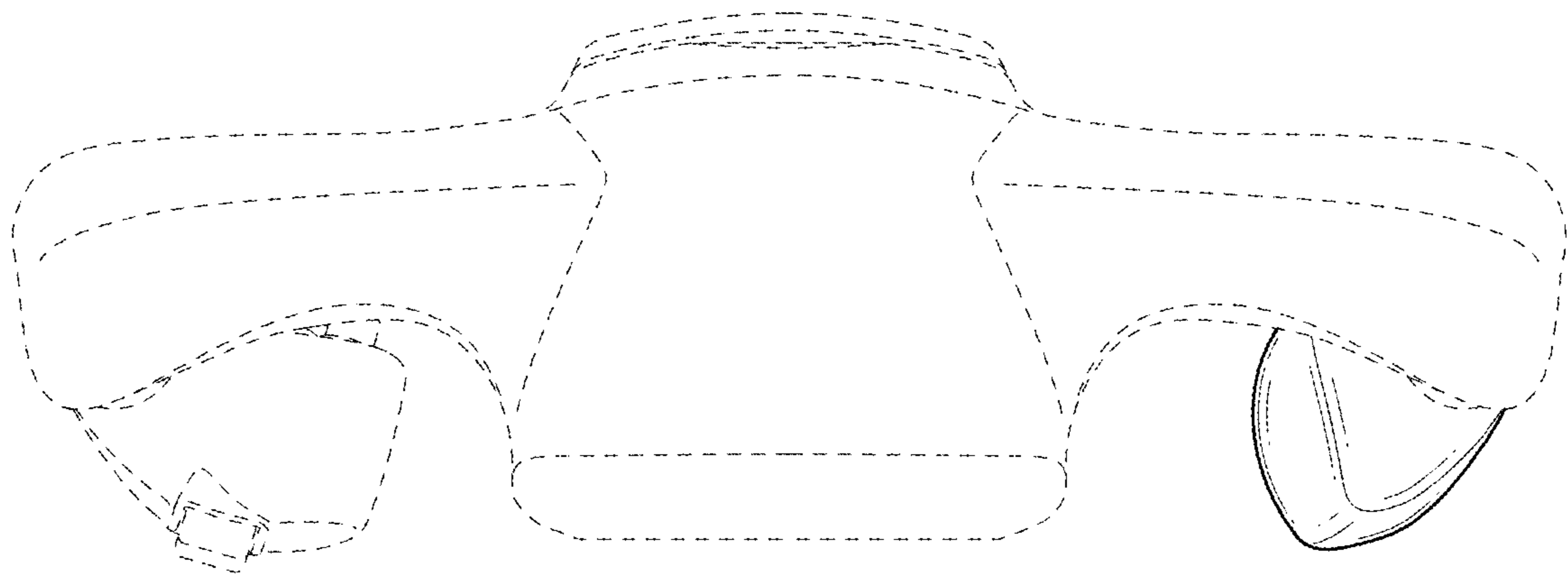


FIG. 9

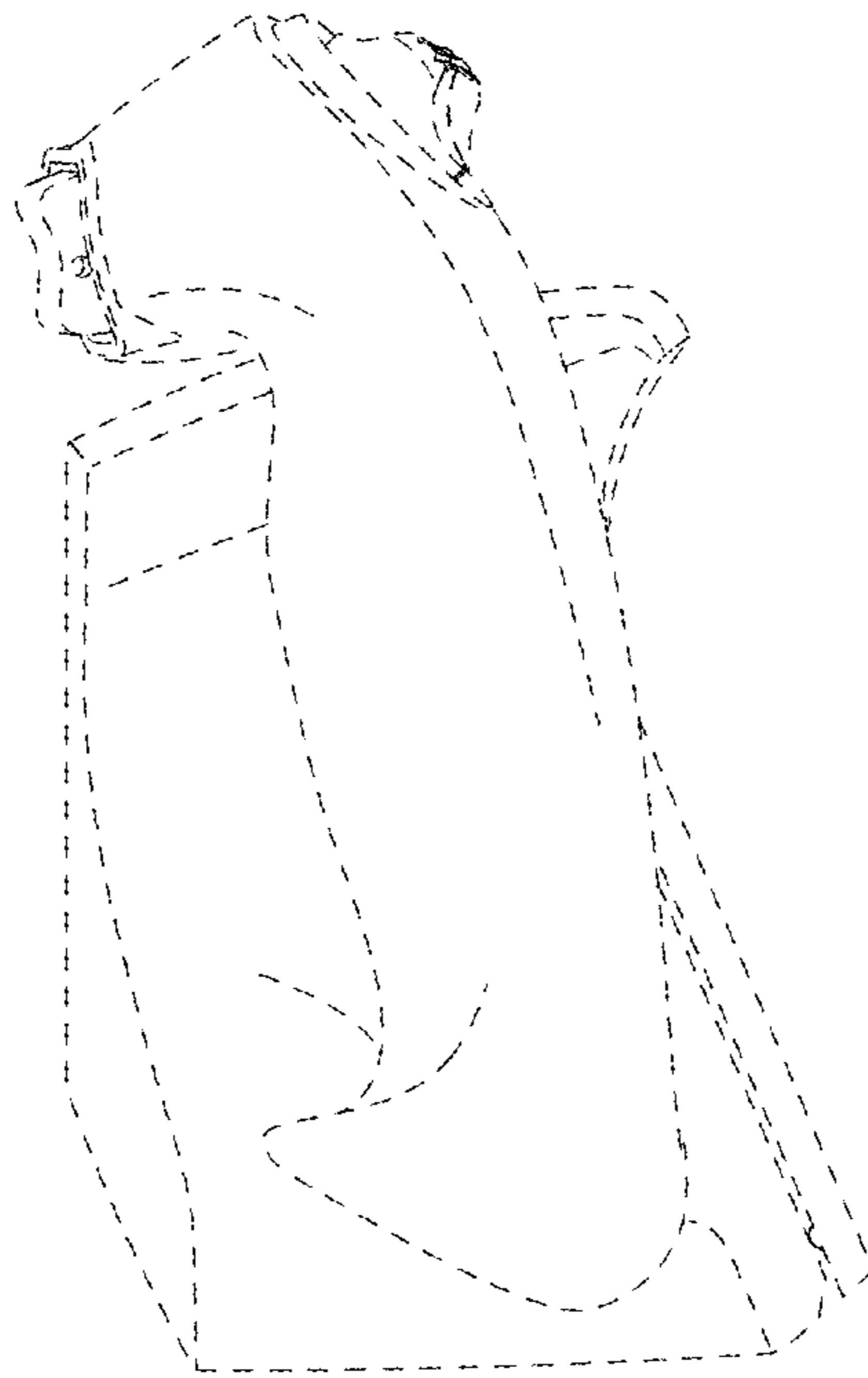


FIG. 10

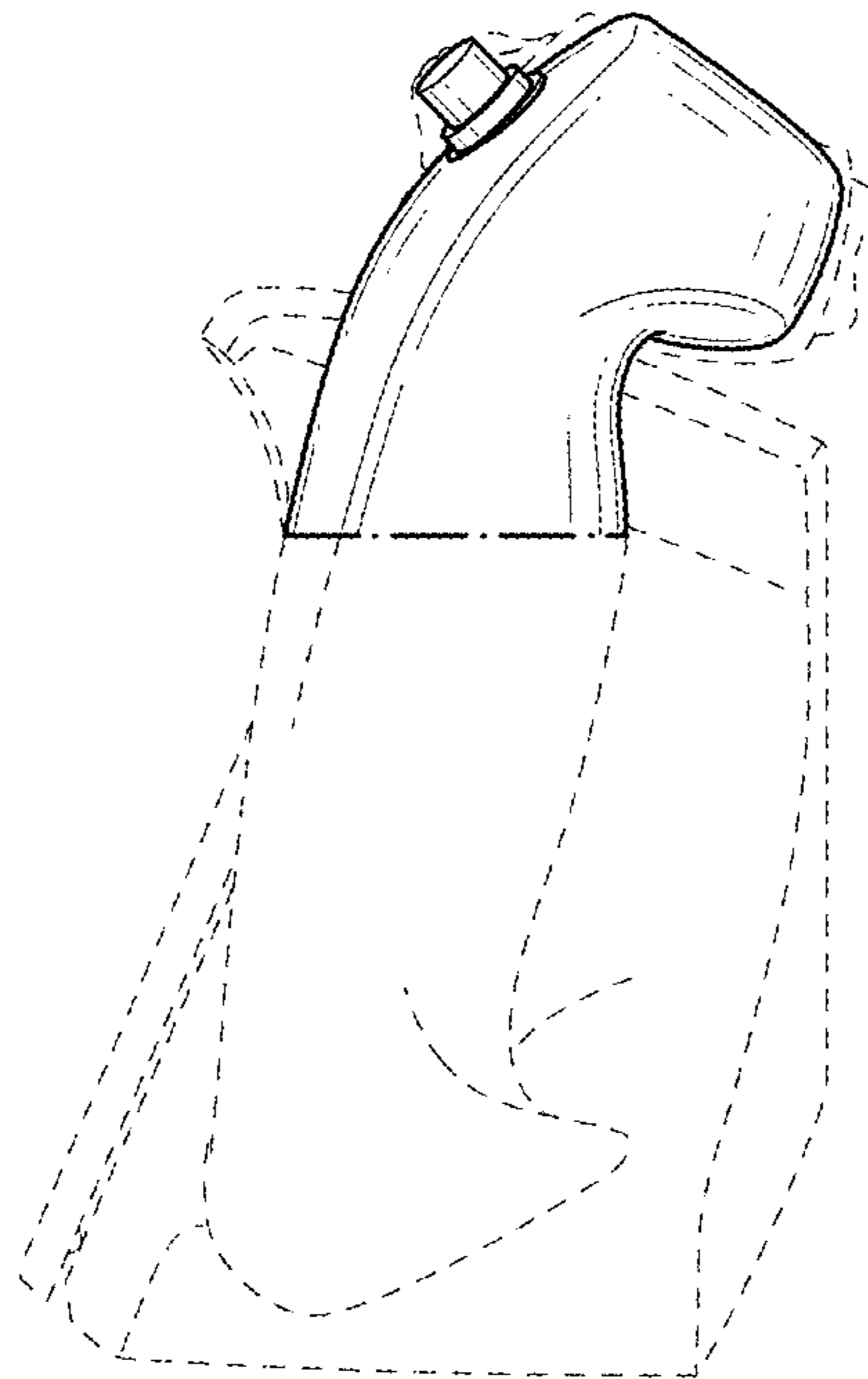


FIG. 11

